



Bobcat®

Mini Track Loader

MT100



***One Tough
Animal***®





THE SMALL-SCALE LOADER FOR **HIGH-SCALE PRODUCTION**

It's not much wider than your average wheelbarrow, but don't let its small size give you the wrong idea. The Bobcat® mini track loader can do serious work. Put it to work tilling, trenching, moving material and much more.

Tough, versatile and agile, this compact and powerful machine delivers the rugged dependability and premium performance that you expect from the Bobcat brand. Simple controls make it a perfect fit for less-experienced employees and seasonal help. A smaller profile gives you more power and versatility in tight spaces.

For landscapers, contractors and rental stores, the Bobcat mini track loader makes a productive and profitable investment.

GET INTO THE TIGHTEST AREAS.

Your Bobcat mini track loader packs a lot of power in a small package. It's the perfect solution for tight-fitting indoor and outdoor jobs where wheelbarrows and shovels are the only other option.

EASE OF USE

Bobcat mini track loaders deliver numerous ways to increase productivity while reducing difficult hand labor: intuitive controls make the Bobcat mini track loader the easiest-to-operate model on the market. Its ease of use and smaller size make a great match for less-experienced equipment operators, renters and seasonal help – or for anyone who needs to do big jobs in small areas.

MINIMAL GROUND DISTURBANCE

The durable rubber tracks allow you to travel over established surfaces without worrying about damages, repair time and costs later.



Machine: MT100
Attachment: Bucket



TIER 4 COMPLIANT ENGINE

Powered by a dependable, durable Tier 4 diesel engine and utilizing efficient hydraulic systems, Bobcat mini track loaders deliver fast cycle times, strong breakout force and excellent pushing ability.

MORE VISIBILITY AND COMFORT

The integrated ride-on platform of the MT100 gives you a wider view to the sides of the machine as well as the bucket cutting edge or attachment.

ERGONOMIC JOYSTICK CONTROLS

The ISO joystick controls on the MT100 are ergonomically designed for comfortable operation and less fatigue.

INCREASED LIFTING CAPACITY

Counterweights come standard on the MT100 to increase lifting performance on tough jobs. Counterweights can be mounted in the undercarriage or at the rear of the machine on the uprights.

LESS MAINTENANCE

The MT100's rollers are sealed and constantly bathed in oil for continuous lubrication. There's no need for daily roller maintenance.

THE BOBCAT MT100

The MT100 offers significant rated operating capacity (1,000 pounds) and breakout force for peak productivity. Its tough undercarriage includes heat-treated rollers and idlers that extend the life of the track system and enhance durability – so you can spend more time working and less time servicing your machine.

Machine: MT100
Attachment: Bucket

| | | | | | |
|--------------|--------------------------|-----------------|-----------------------------|---------------------|--------------------------|
| MT100 | 1,000 lb. | 80.9 in. | 24.8 hp | 36 in. | 12 gpm |
| | Rated Operating Capacity | Lift Height | Liquid-Cooled Diesel Engine | Width (with bucket) | Auxiliary Hydraulic Flow |

VERSATILITY



*Machine: MT100
Attachment: Log Grapple*

BUILT FOR YOUR PREFERRED **ATTACHMENT STYLE**

Available with your choice of two attachment mounting systems, Bobcat provides the best attachment versatility in the industry to help you make quick work of grading, backfilling, digging and hauling.

BOB-TACH ATTACHMENT MOUNTING SYSTEM

The Bob-Tach® attachment mounting system provides a comprehensive selection of Bobcat-built attachments for mini track loaders. Its two robust, over-center latching pins provide the fastest attachment changes in the industry – and spring-loaded, wear-compensating wedges ensure a secure fit, time after time and year after year.

Attachments for Bob-Tach Attachment Mounting System:

- 36-inch bucket
- 44-inch bucket
- Angle broom
- Attachment adapter plate
- Auger
- Boring unit
- Digger
- Hydraulic breaker
- Industrial grapple
- Landplane
- Log grapple
- Nitrogen breaker
- Pallet fork
- Root grapple
- Snowblower
- Soil conditioner
- Stump grinder
- Sweeper
- Tiller
- Trencher
- Utility blade
- Utility fork
- Utility grapple
- Vibratory plow

COMMON INDUSTRY INTERFACE (CII)

Choose the CII system for a smaller, pin-on attachment style that's common on mini track loaders, but provides the same range of motion and usability as our industry-leading Bob-Tach system. The Bobcat CII system features exclusive dual over-center, 90-degree latches that make for secure and quick attachment hookup. The pin is greasable and serviceable to facilitate long product life and ease of use.

Attachments for the Common Industry Interface:

- 36-inch GP bucket CII
- 44-inch GP bucket CII
- Breaker CII frame
- Model 10 auger CII
- Pallet fork CII
- Trencher CII LT 113



Machine: MT100
Attachment: Angle Broom



COMMON INDUSTRY
INTERFACE

BOB-TACH ATTACHMENT
MOUNTING SYSTEM



Machine: MT100
Attachment: Bucket

CONCENTRATED POWER

With rated operating capacity of 1,000 pounds, the Bobcat MT100 mini track loader is the perfect complement to your fleet. At just 36 inches wide and under 85 inches long without an attachment, it goes where other machines can't. Squeeze through doorways and fence gates and work in close quarters indoors or outdoors. Rugged rubber tracks keep you going in soft, wet or muddy conditions, with minimal ground disturbance.

CHOOSE YOUR TRACKS.



Bobcat tracks offer superior traction, stability and strength to take on some of the toughest jobs. Their strong, rubber compounds help you achieve the full life of the track. Signature tread patterns give your machine excellent traction while moving through mud and over rocks. For sensitive worksites, choose non-marking treads for your loader.

Bobcat mini track loaders offer two different track sizes (35.6 inches and 41.1 inches) that provide your preferred combination of performance and surface protection.

NARROW TRACK: UNDER 36 INCHES WIDE

Narrow tracks keep your width to just 36 inches. Depending on the size of your attachment, you can easily slip through just about any doorway or fence gate with the narrow-track option. The narrow track ground pressure of 5.2 psi helps protect turf and finished surfaces.

WIDE TRACK: MINIMIZED GROUND PRESSURE, INCREASED STABILITY

The optional wide track improves stability and ride quality while reducing the MT100's ground pressure to just 3.9 psi – the lightest-possible footprint for sensitive surfaces – and it's still just 41.1 inches wide.

| MODELS | ANGLED BAR LUG | C-PATTERN | MULTI-BAR LUG | MULTI-BAR LUG NON-MARKING TREAD PATTERN | HEX |
|--------|-----------------|-------------|---------------|---|--------------|
| MT100 | 7, 9 and 10 in. | 7 and 9 in. | 7 and 10 in. | 7 and 9 in. | 7 and 10 in. |

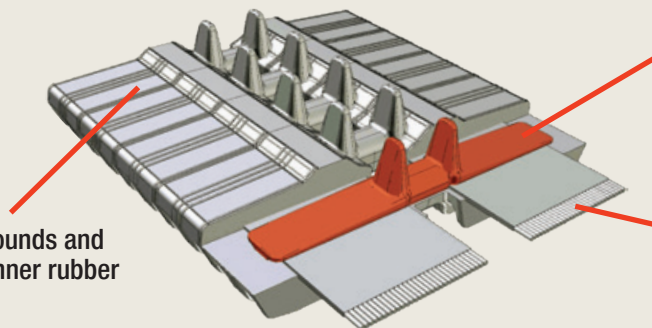


Optional non-marking multi-bar lug rubber tracks won't leave black rubber marks on hard surfaces like concrete.

TRACK STRUCTURE

Each track is structurally designed to match the needs of your Bobcat equipment.

Cut-resistant, anti-gouge rubber compounds and tough outer rubber resist wear. A soft inner rubber compound provides flexibility.



Steel imbeds (links) guide the sprocket while increasing track stability and strength.

Internal steel cables provide a strong base for the roller path while equalizing tension.

SPECIFICATIONS

| Performance | MT100 |
|---|--|
| Rated Operating Capacity | 1000 lb. (453 kg) ¹ 1060 lb. (480 kg) ² |
| Carry Position ROC* | 1339 lb. (607 kg) |
| Tipping Load | 2898 lb. (1314 kg) |
| Hydraulic Pump Capacity | 12.0 gpm (45.4 L/min.) |
| Travel Speed (forward) | 4.1 mph (6.6 km/hr.) |
| Travel Speed (reverse) | 2.9 mph (4.7 km/hr.) |
| Operating Weight (with bucket) | 3390 lb. (1537 kg) |
| Ground Pressure | 5.2 psi (35.8 kPa) |
| Ground Pressure (with wide tracks) | 3.9 psi (27.3 kPa) |
| Dimensions | |
| Length (without bucket) | 84.5 in. (2145 mm) |
| Width (with bucket) | 36.0 in. (914 mm) |
| Height | 54.6 in. (1387 mm) |
| Height to Bucket Pin | 80.9 in. (2056 mm) |
| Engine | |
| Model/Emissions Tier (EPA) | D902 E4B/Tier 4 |
| Fuel/Cooling | Diesel/Liquid |
| Cylinders | 3 |
| HP/Displacement | 24.8 hp (18.5 kW)/55.0 cu. in. (0.9 L) |
| Fuel Tank Capacity | 7.0 gal. (26.5 L) |
| Operation | |
| Steering and Drive | ISO joystick |
| Lift and Tilt | ISO joystick |
| Transmission | Hydrostatic track drive system |
| Attachment | Single lever with dual direction detent |
| Machine Features and Options | |
| Attachment Control Kit | Opt |
| Attachment Mounting System Conversion Kit (convert from CII to Bob-Tach System) | Opt |
| Auxiliary Hydraulics | Std |
| Case Drain Kit | Opt |
| Catalytic Exhaust Purifier | Opt |
| Choice of Attachment Mounting System | Bob-Tach mounting system or common industry interface (CII) system |
| Continuous Flow Shutoff Lever | Std |
| Engine Block Heater | Opt |
| Gauges/Warning Lights | Std |
| Hydrostatic Drive Train | Std |
| Lift Arm Lockout With Manual Bypass | Std |
| Lift Arm Support | Std |
| Lift Hook Locations | Std |
| Light Kit | Opt |
| Liquid-Cooled Diesel Engine | Std |
| Multi-Bar Lug Track | Opt |
| Neutral Start Interlocks | Std |
| Non-Marking Tracks | Opt |
| Parking Brake | Std |
| Removeable Counterweight | Std |
| Ride-On Platform | Std |
| Shutdown Kit | Opt |
| Spark Arrestor Muffler | Std |
| Tie-Down Locations | Std |
| Tilt Lockout | Std |
| Track (7 in. wide) | Std |
| Track (10 in. wide) | Opt |

¹Counterweights located in the undercarriage.

²Counterweights located in rear position.

*Carry Position ROC is measured as 35% of tipping load when the lift arm is raised 6° and bucket is fully rolled back.

Perfect for Rental Fleets

With their job-proven technology, easy maintenance, simple controls and impressive performance, Bobcat mini track loaders are perfect for rental applications. Mini track loaders have a smaller, less-intimidating profile than some other compact equipment models. Additionally, they have easy-to-use controls and an impressive rated operating capacity of 1,000 pounds.

Incredible Versatility

Bobcat mini track loaders aren't just for lifting heavy loads. The hydraulic quick couplers make connecting and disconnecting from hydraulic attachments fast and easy. These machines are designed to run a variety of hydraulic attachments efficiently.

Attachment Flexibility

The MT100 is available with our industry-leading Bob-Tach attachment mounting system. You can also choose the common industry interface (CII) to utilize your existing mini track loader attachments.

Parts and Service Backup

With every Bobcat product, you get the support of a worldwide network of dealers offering industry-leading attachments, accessories and parts availability. Their factory-trained technicians are equipped to handle all your parts and service requirements, including engine and hydrostatic/hydraulic components.

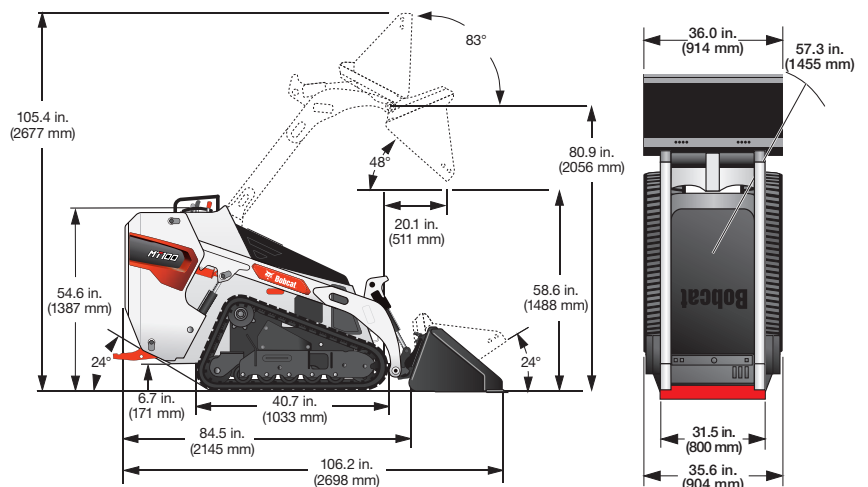
Unbeatable Bobcat Warranty

The best equipment carries the best warranty! The MT100 mini track loader comes with a full one-year warranty with unlimited hours.

Operator Training

Ensure safe and effective operation techniques with owner and operator safety videos and training. Find them on the Bobcat Owner Portal (my.Bobcat.com).

MT100 Dimensions:



One Tough



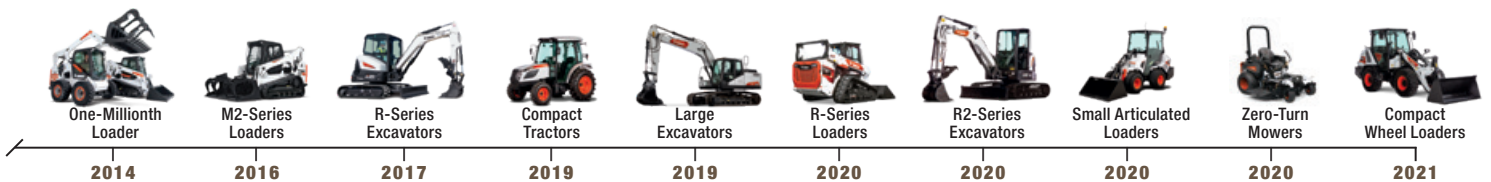
B O B C A T T I M E L I N E



h Animal[®]



Machine: MT100
Attachment: Soil Conditioner





YOU ARE ONE TOUGH ANIMAL.®

Everything we put into Bobcat equipment is designed to make more of whatever you bring to the job. Whether it's strength, versatility, speed or agility, it's built around you.

Certain specification(s) are based on engineering calculations and are not actual measurements. Specification(s) are provided for comparison purposes only and are subject to change without notice. Specification(s) for your individual Bobcat equipment will vary based on normal variations in design, manufacturing, operating conditions, and other factors. Where applicable, dimensions are in accordance with ISO standards. Specifications and design are subject to change without notice. Pictures of Bobcat units may show other than standard equipment. All dimensions are given for mini track loaders. All dimensions are shown in inches. Respective metric dimensions are enclosed by parentheses. Bobcat Company complies with the requirements of ISO 9001 as registered with BSI.

DOOSAN

Bobcat Company is a member of the Doosan Group. Doosan is a global leader in construction, grounds maintenance and material handling equipment, power and water solutions, and engineering that has proudly served customers and communities for more than a century. Bobcat®, the Bobcat logo and the colors of the Bobcat machine are registered trademarks of Bobcat Company in the United States and various other countries. ©2024 Bobcat Company. All rights reserved.



Printed on 10% recycled paper

B-1776 (02/24)
EP-6M-0224-10361-F

Bobcat Company
250 East Beaton Drive • West Fargo, ND 58078

Bobcat.com



Bobcat®

One Tough Animal.