



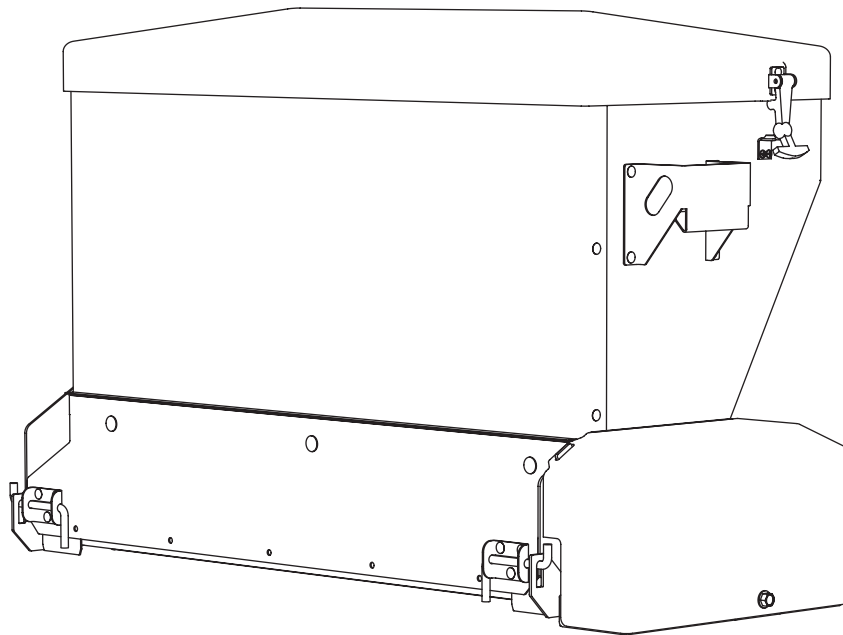
Hopper and Drive Components

Drop™ 250 & Drop™ 600 Drop Spreaders

2.5 ft³ & 6.0 ft³

87530, 87630

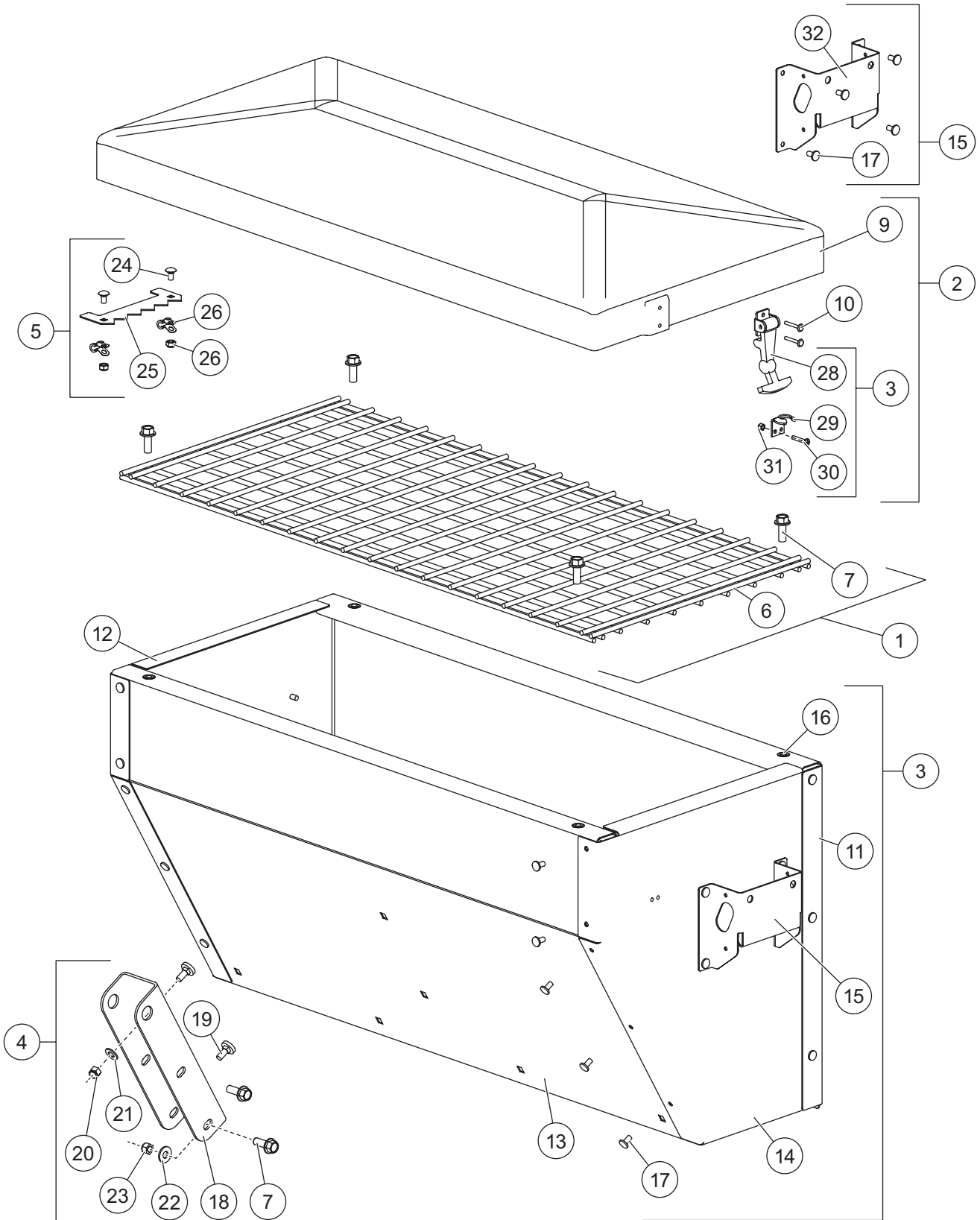
Parts List



This Parts List is for WESTERN® Drop 250 and 600 drop spreaders with serial numbers beginning with 210101 and higher.

Drop™ 250 & 600 DROP SPREADERS

HOPPER ASSEMBLY

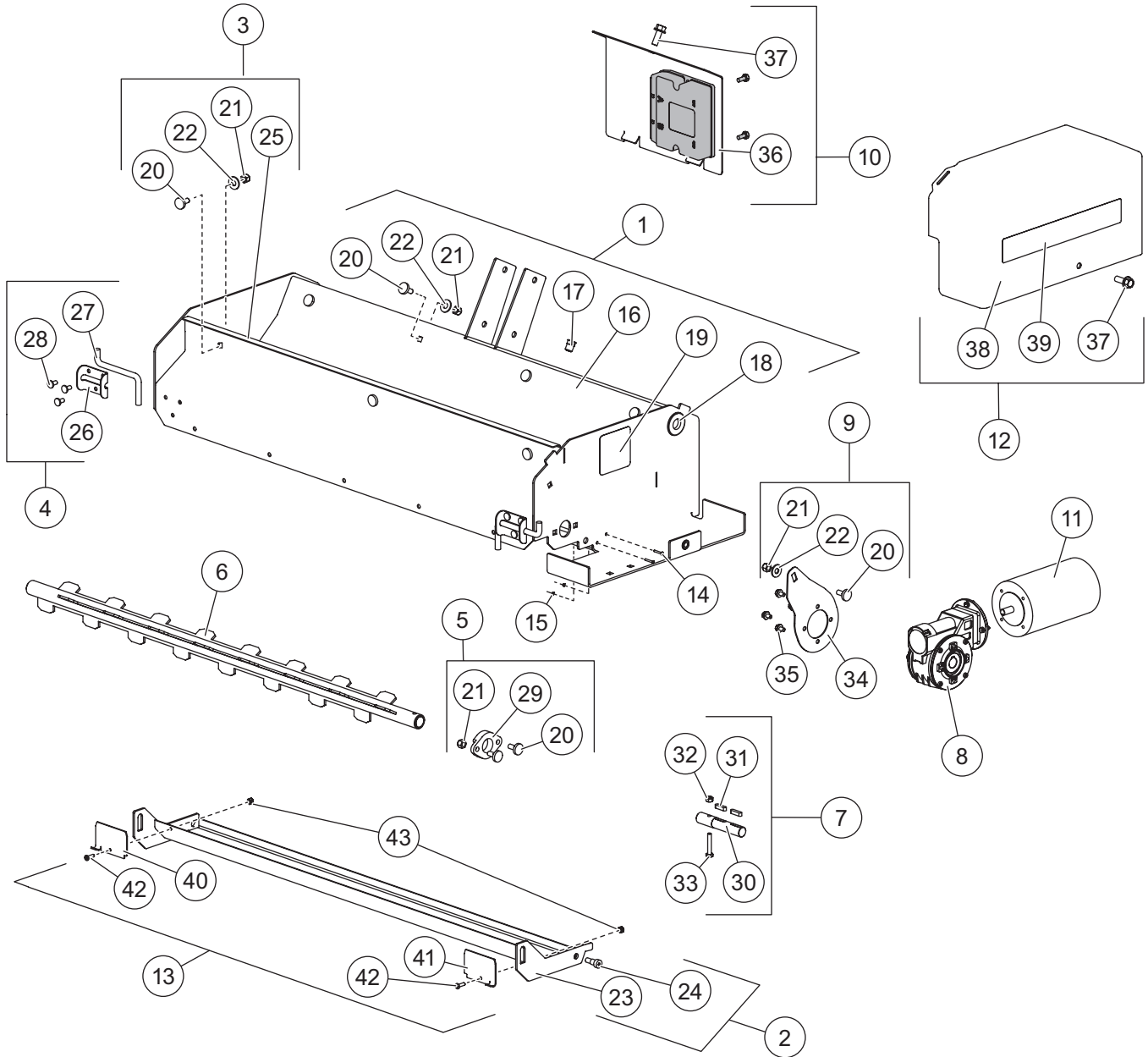


Drop™ 250 & 600 DROP SPREADERS

Hopper & Frame Assembly							
Item	Part	Qty	Description	Item	Part	Qty	Description
1	91840	1	Top Screen Kit, 250	3	91975	1	Hopper Kit, 250
	91970	1	Top Screen Kit, 600		91980	1	Hopper Kit, 600
2	91845	1	Lid Kit, 250	4	91875	1	Upper Hitch Kit
	91855	1	Lid Kit, 600	5	91880	1	Bag Splitter Kit
Item 1				91840 Top Screen Kit, 250			
6	91688	1	Top Screen	7		4	3/8-16 x 1 Hex Cap Screw SS
Item 1				91970 Top Screen Kit, 600			
6	91871	1	Top Screen	7		4	3/8-16 x 1 Hex Cap Screw SS
Item 2				91845 Lid Kit, 250			
8	P3045	1	Latch Kit	10		4	3/16 Pop Rivet
9		1	Lid				
Item 2				91855 Lid Kit, 600			
8	P3045	1	Latch Kit	10		4	3/16 Pop Rivet
9		1	Lid				
Item 3				91975 Hopper Kit, 250			
11		1	Rear Side, 2.5 ft ³	15		2	Handle Kit
12		1	End Cap, 2.5 ft ³ – PS	16		4	3/8-16 Hex Rivnut
13		1	Front Side, 2.5 ft ³	17		16	1/4 Rivet SS
14		1	End Cap, 2.5 ft ³ – DS	ns		1	Label – Logo, WESTERN® SS
Item 3				91980 Hopper Kit, 600			
11		1	Rear Side, 6 ft ³	15		2	Handle Kit
12		1	End Cap, 6 ft ³ – PS	16		4	3/8-16 Hex Rivnut
13		1	Front Side, 6 ft ³	17		22	1/4 Rivet SS
14		1	End Cap, 6 ft ³ – DS	ns		1	Label – Logo, WESTERN SS
Item 4				91875 Upper Hitch Kit			
7		4	3/8-16 x 1 Hex Cap Screw SS	21		2	5/16 Flat Washer Type A Narrow
18		1	3-Point Hitchpoint	22		4	3/8 Flat Washer Type A Wide SS
19		2	5/16-18 x 3/4 Carriage Bolt SS	23		4	3/8-16 Hex Locknut GB
20		2	5/16-18 Hex Locknut GB				
Item 5				91880 Bag Splitter Kit			
24		2	1/4-20 x 1/2 Carriage Bolt SS	26		2	Clamp, 5/16 Rubber Coated
25		1	Bag Splitter	27		2	1/4-20 Hex Locknut GB
Item 8				P3045 Latch Kit			
28	95591	2	Latch	30		8	#10-32 x 5/8 Machine Screw SS
29	95590	2	Keeper	31		8	#10-32 Hex Locknut SS
Item 15				91870 Handle Kit			
17		4	1/4 Rivet SS	32		1	Handle
		ns = not shown				G = Grade	
						SS = Stainless Steel	

Drop™ 250 & 600 DROP SPREADERS

FRAME & DRIVE ASSEMBLY

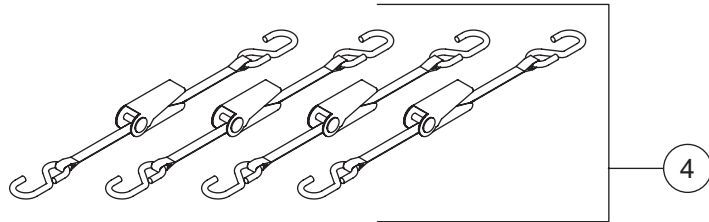
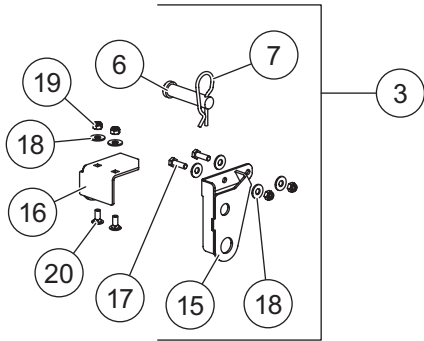
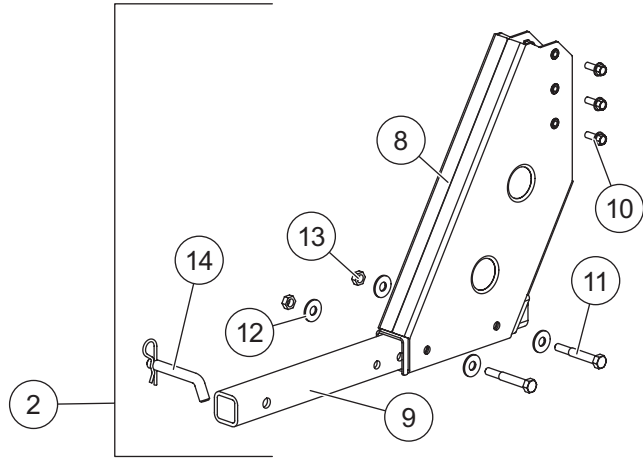
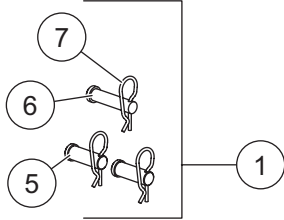


Drop™ 250 & 600 DROP SPREADERS

Frame and Drive Assembly							
Item	Part	Qty	Description	Item	Part	Qty	Description
1	91885	1	Frame Kit	10	91925	1	Electrical Cover Kit
2	91890	1	Drop Trough Kit	11	79950	1	Motor Kit
3	91895	1	Flap Agitator Kit	12	91930	1	Motor Cover Kit
4	91905	2	Locking Pin Kit	13	91935	1	Spread Width Baffle Kit
5	91910	2	Poly Bearing Kit	ns	78980	1	Switch Assembly w/Connector
6	91940	1	Paddle Auger Frame	14	68858	2	#4-40 x 3/4 Hex Socket Button-Head Cap Screw
7	91915	1	Drive Shaft Kit	15	68859	2	#4-40 Hex Locknut GB SS
8	F50582	1	Gear Box				
9	91920	1	Torque Arm Kit				
Item 1				91885 Frame Kit			
16		1	Frame	22		4	5/16 Flat Washer Type A Narrow
17		2	3/8-16 Hex Rivnut	ns	32593EN	1	Label – Warning, Multiple Pinch Points
18	91945	1	Grommet Kit	ns	31594EN	1	Label – Warning/Caution, Spreaders
19	32126EN	1	Label – Warning, Rotating Parts	ns	11100	1	Label – Warning, Rear Camera
20		4	5/16-18 x 3/4 Carriage Bolt SS				
21		4	5/16-18 Hex Locknut GB				
Item 2				91890 Drop Trough Kit			
23		1	Trough	24		2	Shoulder Bolt
Item 3				91895 Flap Agitator Kit			
20		3	5/16-18 x 3/4 Carriage Bolt SS	22		3	5/16 Flat Washer Type A Narrow
21		3	5/16-18 Hex Locknut GB	25		1	Flap Agitator
Item 4				91905 Locking Pin Kit			
26		1	Locking Pin	28		3	1/4 Rivet
27		1	Pin Keeper				
Item 5				91910 Poly Bearing Kit			
20		2	5/16-18 x 3/4 Carriage Bolt SS	29		1	Paddle Bearing
21		2	5/16-18 Hex Locknut GB				
Item 7				91915 Drive Shaft Kit			
30		1	Auger Drive Shaft	32		1	1/4-20 Hex Locknut GB
31		2	Key	33		1	1/4-20 x 1-1/2 Hex Cap Screw SS
Item 9				91920 Torque Arm Kit			
20		1	5/16-18 x 3/4 Carriage Bolt SS	34		1	Motor Plate
21		1	5/16-18 Hex Locknut GB	35		4	M6 x 1.00 10 mm Flanged Hex Cap Screw G10.9
22		1	5/16 Flat Washer Type A Narrow				
Item 10				91925 Electrical Cover Kit			
36		1	Electrical Cover	37		1	3/8-16 x 1 Hex Cap Screw SS
Item 12				91930 Motor Cover Kit			
37		1	3/8-16 x 1 Hex Cap Screw SS	39	31594EN	1	Label – Warning/Caution, Spreaders
38		1	Motor Cover				
Item 13				91935 Spread Width Baffle Kit			
40		1	Shutter Plate, DS	42		2	#10-32 x 5/8 Machine Screw SS
41		1	Shutter Plate, PS	43		2	#10-32 Hex Locknut SS
ns = not shown				G = Grade			
				SS = Stainless Steel			
				M = Metric			

Drop™ 250 & 600 DROP SPREADERS

MOUNT ASSEMBLIES

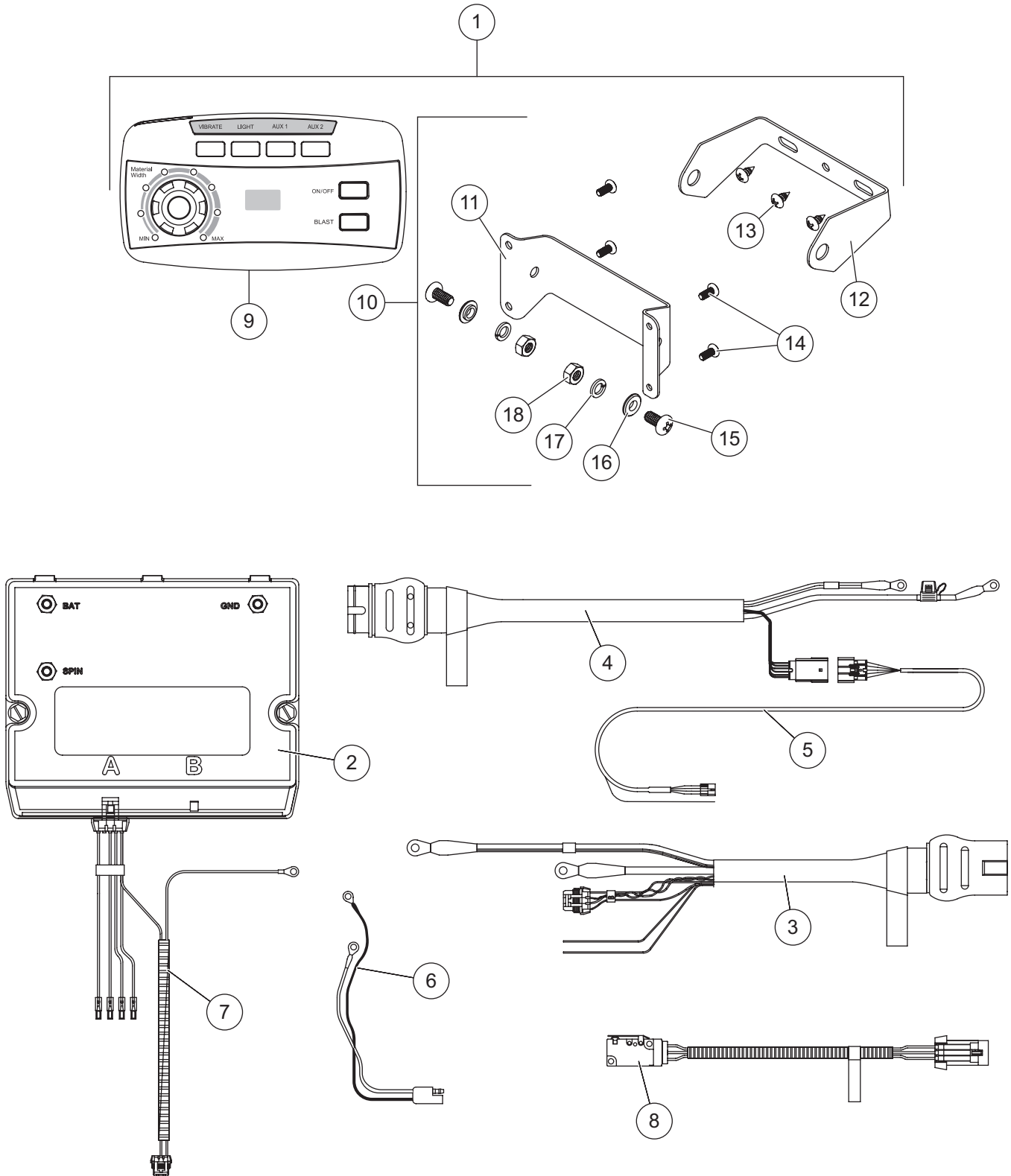


Drop™ 250 & 600 DROP SPREADERS

Mount Assemblies							
Item	Part	Qty	Description	Item	Part	Qty	Description
1	91960	1	Tractor Mount Pins	3	91950	1	Bed Mount Kit
2	91955	1	Receiver Mount Kit	4	D6503	1	Ratchet Strap, 1" x 12' (pkg of 4)
Item 1				91960 Tractor Mount Pins			
5	91876	2	7/8 x 2-1/2 Clevis Pin	7		3	5/32 Hairpin Cotter
6	93063	1	3/4 x 3-1/4 Clevis Pin				
Item 2				91955 Receiver Mount Kit			
8		1	Riser	12		4	1/2 Plain Washer Type A
9		1	Receiver Tube	13		2	1/2-13 Stover Nut GC
10		6	3/8-16 x 1 Serrated Flange Hex Cap Screw SS	14	T15043	1	Hitch Pin
11		2	1/2-13 x 3-1/2 Hex Cap Screw G5	ns	30687	1	Threadlocker, Medium Strength
Item 3				91950 Bed Mount Kit			
6	93063	1	3/4 x 3-1/4 Clevis Pin	17		2	5/16-18 x 1 Hex Cap Screw SS
7		1	5/32 Hairpin Cotter	18		6	5/16 Flat Washer Type A Narrow
15		1	Bed Stop Bracket, DS	19		4	5/16-18 Hex Locknut GB
16		1	Bed Stop Bracket, PS	20		2	5/16-18 x 3/4 Carriage Bolt SS
G = Grade				SS = Stainless Steel		ns = not shown	

Drop™ 250 & 600 DROP SPREADERS

ELECTRICAL COMPONENTS



Drop™ 250 & 600 DROP SPREADERS

Electrical Components							
Item	Part	Qty	Description	Item	Part	Qty	Description
1	52466	1	Spreader Control Kit	6	78399	1	Spinner Motor Harness Rev Pin-Out
2	52355	1	Spreader Module, 3-Post				
3	72092	1	Spreader Harness, 7-Pin	7	78978	1	Connector w/5 Wires, 10-Pin
4	74978	1	Vehicle Harness, 7-Pin	8	78980	1	Switch Assembly
5	69902	1	Vehicle Control Harness				
Item 1				52466 Spreader Control Kit			
9	52468	1	Spreader Control	10	52345	1	Control Bracket Kit
Item 10				52345 Cab Control Bracket Kit			
11		1	Bracket, Control Inner	15		2	1/4-20 x 5/8 Pan Head Machine Screw SS
12		1	Bracket, Control Outer				
13		3	#10 x 3/8 Pan Head Tapping Screw SS	16		2	1/4 Shoulder Washer – Black
				17		2	1/4 Lock Washer SS
14		4	#8-32 x 3/8 Phillips Pan Head Machine Screw	18		2	1/4-20 Hex Nut SS
SS = Stainless Steel				G = Grade			



Western Products
PO Box 245038
Milwaukee, WI 53224-9538
www.westernplows.com

 A DIVISION OF DOUGLAS DYNAMICS, LLC

Copyright © 2023 Douglas Dynamics, LLC. All rights reserved. This material may not be reproduced or copied, in whole or in part, in any printed, mechanical, electronic, film, or other distribution and storage media, without the written consent of Western Products. Authorization to photocopy items for internal or personal use by Western Products outlets or spreader owner is granted.

Western Products reserves the right under its product improvement policy to change construction or design details and furnish equipment when so altered without reference to illustrations or specifications used. Western Products or the vehicle manufacturer may require or recommend optional equipment for spreaders. Do not exceed vehicle ratings with a spreader. Western Products offers a limited warranty for all spreaders and accessories. See separately printed page for this important information. The following are registered (®) or unregistered (™) trademarks of Douglas Dynamics, LLC: Drop™ 250, Drop™ 600, WESTERN®.

Printed in U.S.A.