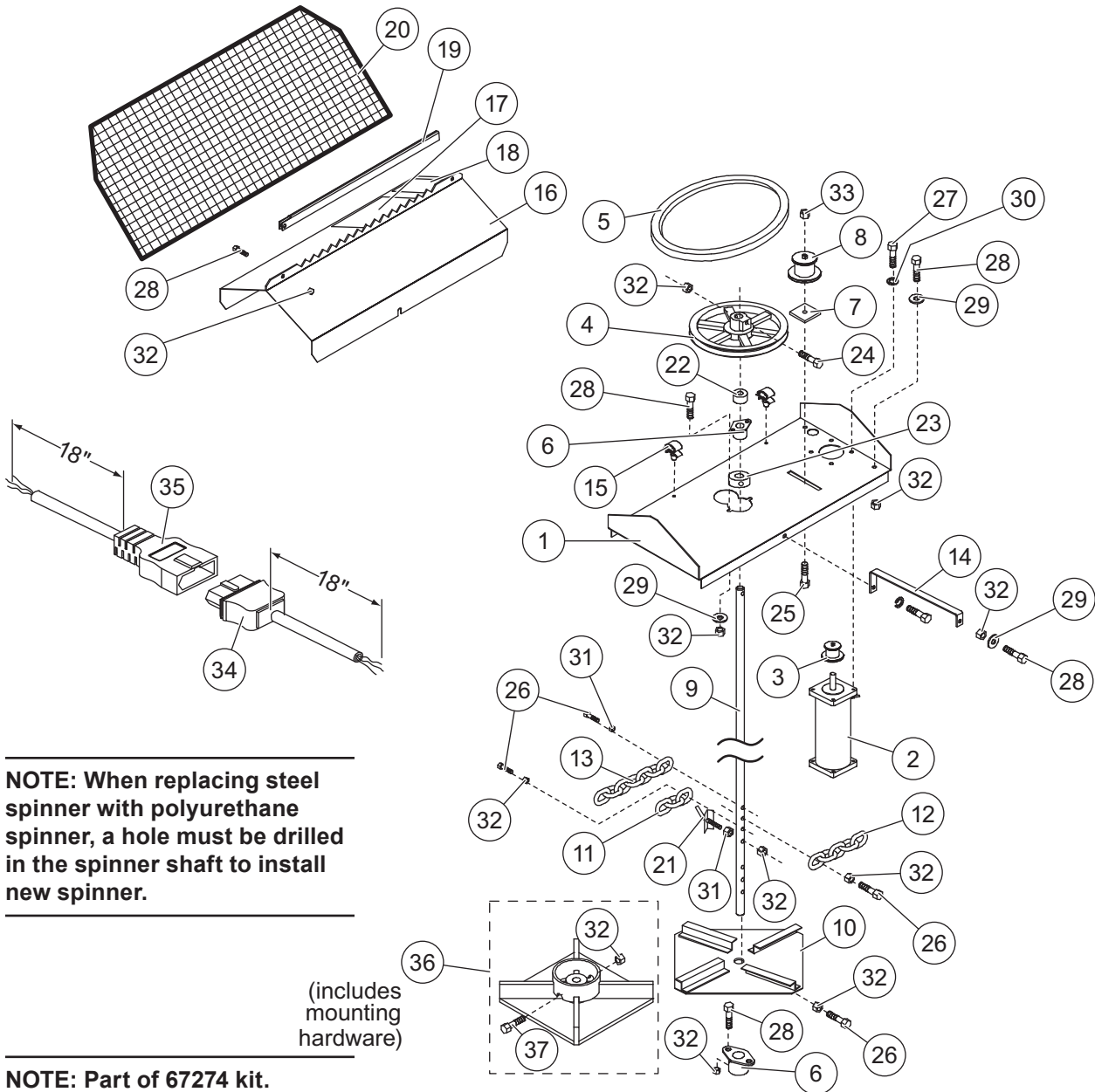




# Drive Components

## SPEED-CASTER™ Tailgate Spreaders

### PARTS LIST



**NOTE:** When replacing steel spinner with polyurethane spinner, a hole must be drilled in the spinner shaft to install new spinner.

**NOTE:** Part of 67274 kit.

This Parts List is for FISHER® SPEED-CASTER™ Tailgate Spreaders with serial numbers beginning with 115297 and higher.

SPEED-CASTER™ Tailgate Spreader Drive Components							
Item	Part	Qty	Description	Item	Part	Qty	Description
1	65460	1	Motor Channel	22	65578	1	Spacer – Plastic
2	9524	1	12V DC Motor	23	65777	1	Locking Collar 3/4 Bore
3	9514	1	Pulley 1-1/2 x 1/2 Bore	24	90978	1	5/16-18 x 2 Hex Cap Screw SS
4	65406	1	Pulley 9 x 3/4 Bore	25	90557	1	3/8-16 x 2 Carriage Bolt
5	65407	1	V Belt 4L430 Molded Cog	26	90977	3	5/16-18 x 1-1/2 Hex Cap Screw SS
6	65409	2	3/4 Flange Bearing	27	90551	6	5/16-18 x 1 Hex Cap Screw SS
7	9099	1	Shim	28	93162	10	5/16-18 x 3/4 Hex Cap Screw SS
8	65509	1	2" Idler Pulley	29	90980	8	5/16 Plain Washer SS
9	9577	1	Shaft	30	91276	6	5/16 Split Lock Washer SS
10	9519	1	Spinner (Steel)	31	91430	1	5/16-18 Hex Nut SS
11	65415	1	2-3/4 Chain 3-Link	32	91350	15	5/16-18 Hex Locknut GB SS
12	9522	1	4-1/4 Chain 5-Link	33	91333	1	3/8-16 Hex Locknut GB
13	65413	1	5-3/4 Chain 7-Link	34	63692	1	Harness, Vehicle End Kit (use w/3- or 4-Pin Connectors)
14	65430	2	Side Support	35	63693	1	Harness, Spreader End Kit (use w/3- or 4-Pin Connectors)
15	65513	2	3/8 Wire Clip – .25 Hole	36	94594	1	Spinner Kit (Polyurethane)
16	49306*	1	Belt Guard	37	94495	1	5/16-18 x 2-1/4 Cap Screw
17	9026	1	Label – Notice	ns	65241	1	Motor Brush Kit
18	20602	1	Label – Notice	ns	63633	1	Harness, Vehicle – 4-Pin
19	65464	1	Opener Guard	ns	63634	1	Harness, Spreader – 4-Pin
20	95249	2	Spreader Screen				
21	65412	1	Agitator				
ns = not shown			SS = Stainless Steel			G = Grade	

\* PN 49306 includes labels 9026 and 20602.

Copyright © 2013 Douglas Dynamics, LLC. All rights reserved. This material may not be reproduced or copied, in whole or in part, in any printed, mechanical, electronic, film or other distribution and storage media, without the written consent of Fisher Engineering. Authorization to photocopy items for internal or personal use by Fisher Engineering outlets or spreader owner is granted.

Fisher Engineering reserves the right under its product improvement policy to change construction or design details and furnish equipment when so altered without reference to illustrations or specifications used. Fisher Engineering or the vehicle manufacturer may require or recommend optional equipment for spreaders. Do not exceed vehicle ratings with a spreader. Fisher Engineering offers a limited warranty for all spreaders and accessories. See separately printed page for this important information. The following are registered (®) or unregistered (™) trademarks of Douglas Dynamics, LLC: FISHER®, SPEED-CASTER™.

Printed in U.S.A.