



WESTERN PRODUCTS  
P.O. BOX 245038  
MILWAUKEE, WI 53224-9538

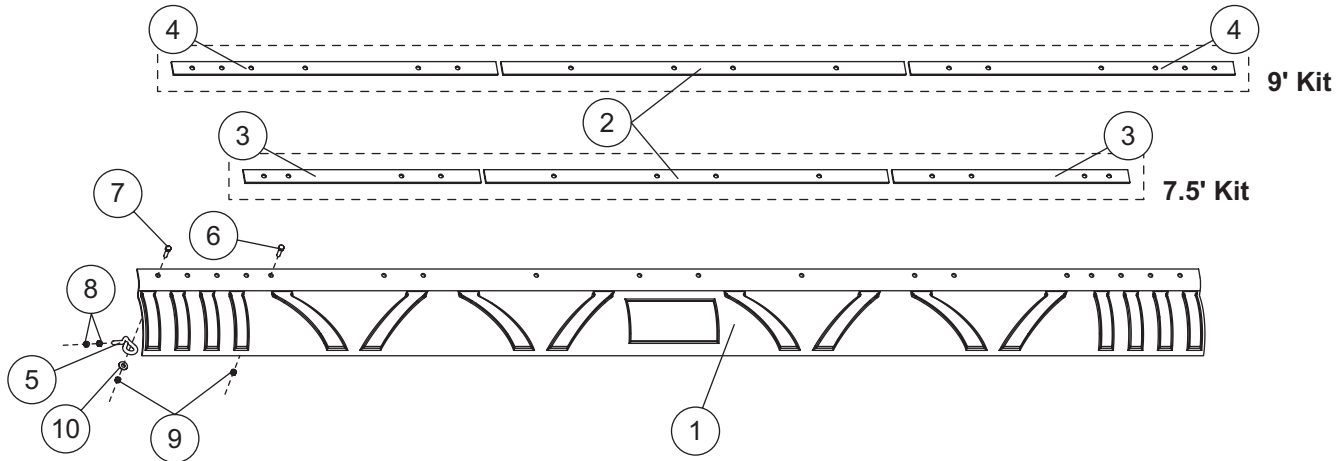


63700, 63670

POLY DEFLECTOR KITS

PARTS LISTS

A DIVISION OF DOUGLAS DYNAMICS, L.L.C.



63700 7.5' POLY DEFLECTOR KIT							
Item	Part	Qty	Description	Item	Part	Qty	Description
1	63641	1	DEFLECTOR, 7.5' POLY	3	64803	2	RETAINER, OUTER – 7.5'
2	64802	1	RETAINER, INNER	NS	62148	1	BOLT BAG

63670 9' POLY DEFLECTOR KIT							
Item	Part	Qty	Description	Item	Part	Qty	Description
1	63643	1	DEFLECTOR, 9.0' POLY	4	64801	2	RETAINER, OUTER – 9.0'
2	64802	1	RETAINER, INNER	NS	62148	1	BOLT BAG

62148 BOLT BAG							
Item	Part	Qty	Description	Item	Part	Qty	Description
5	61296	2	CURL BRACE	8	91414	4	7/16-14 HEX NUT G5
6	90048	10	5/16-18X1-1/4 HEX CAP SCREW G5	9	91332	12	5/16-18 HEX LOCKNUT GB
7	90023	2	5/16-18X1-3/4 HEX CAP SCREW G5	10	90313	2	5/16 FLAT WASHER

G = grade

Copyright © 2004 Douglas Dynamics, L.L.C. All rights reserved. This material may not be reproduced or copied, in whole or in part, in any printed, mechanical, electronic, film or other distribution and storage media, without the written consent of Western Products. Authorization to photocopy items for internal or personal use by Western Products outlets or snowplow owner is granted.

Western Products reserves the right under its product improvement policy to change construction or design details and furnish equipment when so altered without reference to illustrations or specifications used. Western Products and the vehicle manufacturer may require and/or recommend optional equipment for snow removal. Do not exceed vehicle ratings with a snowplow. Western Products offers a limited warranty on all snowplows and accessories. See separately printed page for this important information. The following is a registered (®) trademark of Douglas Dynamics, L.L.C.: WESTERN®.