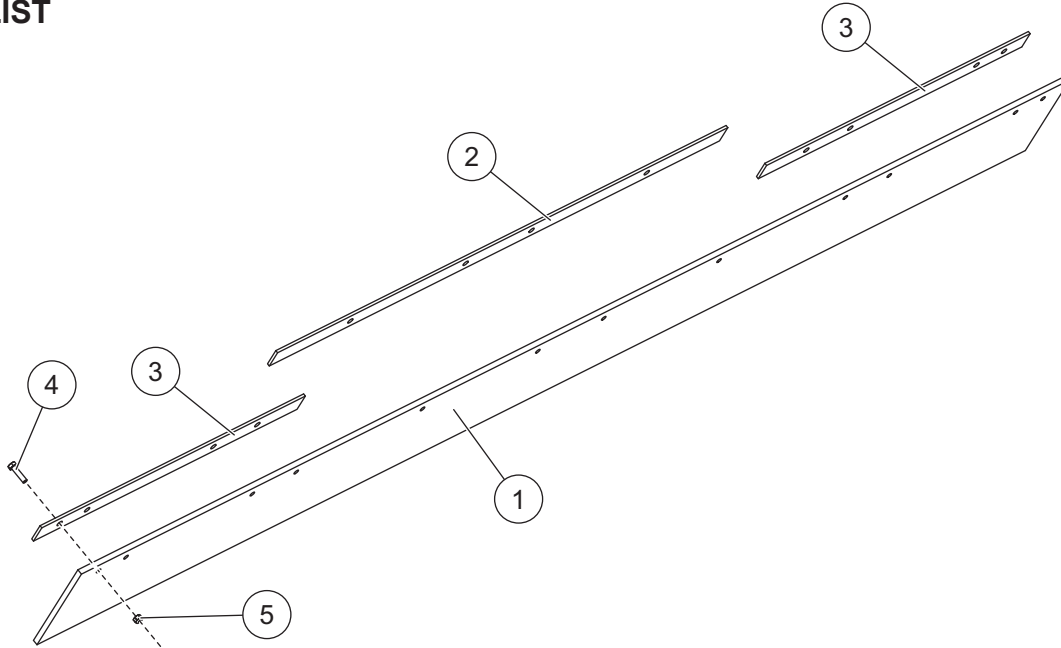




RUBBER DEFLECTOR KIT

7-1/2' HT Series™ Snowplows

PARTS LIST



69605 Rubber Deflector Kit – 7-1/2' HT Series							
Item	Part	Qty	Description	Item	Part	Qty	Description
1	69485	1	Deflector, Rubber – HT Series	3	64803	2	Deflector Bar – Outer
2	64802	1	Deflector Bar – Inner	ns	69524	1	Bolt Bag
69524 Bolt Bag							
4		12	5/16-18 x 1-1/4 Hex Cap Screw G5	5		12	5/16-18 Hex Locknut GB
ns = not shown				G = Grade			

⚠ WARNING

Do not exceed GVWR or GAWR, including blade and ballast. The rating label is found on the driver-side vehicle door cornerpost.

⚠ CAUTION

Use standard methods and practices when attaching snowplow and installing accessories including proper personal protective safety equipment.

⚠ CAUTION

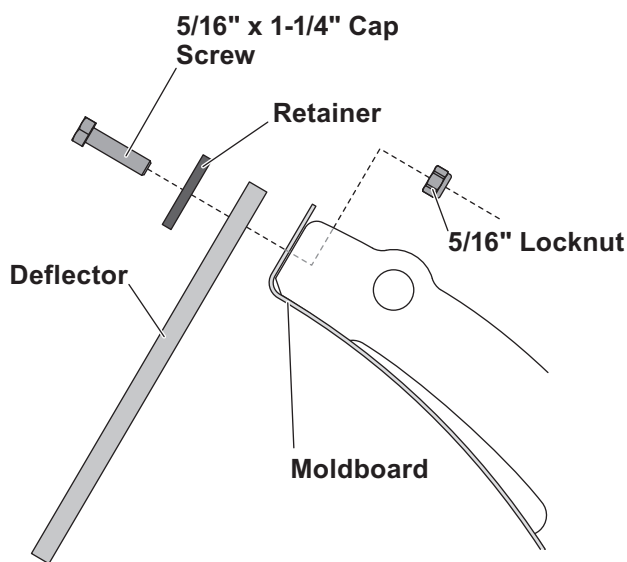
Read this document before installing the rubber deflector kit.

⚠ CAUTION

See your FISHER® outlet/Web site for specific vehicle application recommendations before installation. Rubber deflector kit weight information may be found in the Kit Selection Guide.

INSTALLATION INSTRUCTIONS

1. Park the vehicle on a smooth, level, hard surface, such as concrete. Lower the blade to the ground, and turn the control to the "OFF" position. Disconnect the snowplow from the vehicle, or turn the vehicle ignition to the "OFF" position and remove the key.
2. Place the deflector on top of the moldboard and align the deflector holes with the corresponding holes in the moldboard.
3. Place the retainers on top of the deflector and blade as shown. Fasten the retainers and deflector to the snowplow with 5/16" x 1-1/4" cap screws and locknuts, making sure the retainers are tight against the deflector and moldboard. Torque fasteners to 18 ft-lb.



Copyright © 2009 Douglas Dynamics, L.L.C. All rights reserved. This material may not be reproduced or copied, in whole or in part, in any printed, mechanical, electronic, film or other distribution and storage media, without the written consent of Fisher Engineering. Authorization to photocopy items for internal or personal use by Fisher Engineering outlets or snowplow owner is granted.

Fisher Engineering reserves the right under its product improvement policy to change construction or design details and furnish equipment when so altered without reference to illustrations or specifications used. Fisher Engineering or the vehicle manufacturer may require or recommend optional equipment for snow removal. Do not exceed vehicle ratings with a snowplow. Fisher Engineering offers a limited warranty for all snowplows and accessories. See separately printed page for this important information. The following are registered (®) or unregistered (™) trademarks of Douglas Dynamics, L.L.C.: FISHER®, HT Series™.

Printed in U.S.A.