



WESTERN PRODUCTS
P.O. BOX 245038
MILWAUKEE, WI 53224-9538



 A DIVISION OF DOUGLAS DYNAMICS, L.L.C.

PRO-PLOW BLADE PARTS LIST

September 23, 2004

Steel PRO-PLOW[®] Blade Assembly

No. 60381, 60390, 60308, or 60655

POLY PRO-PLOW[®] Blade Assembly

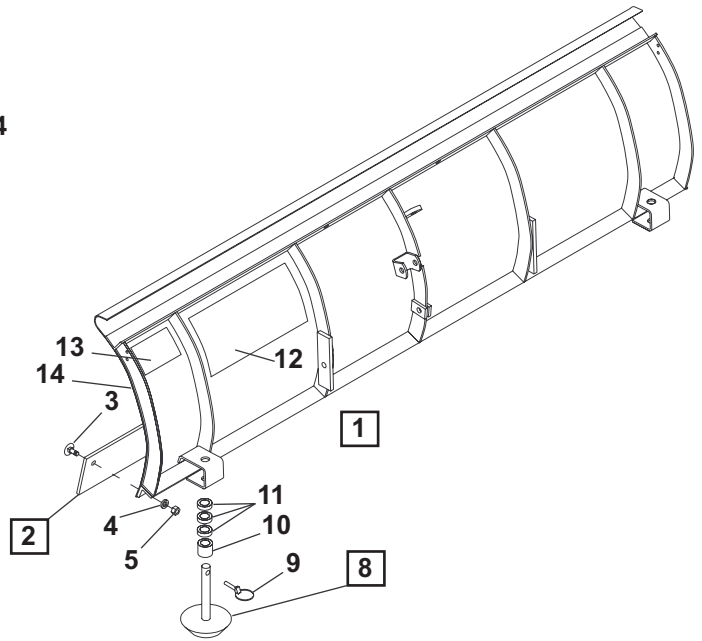
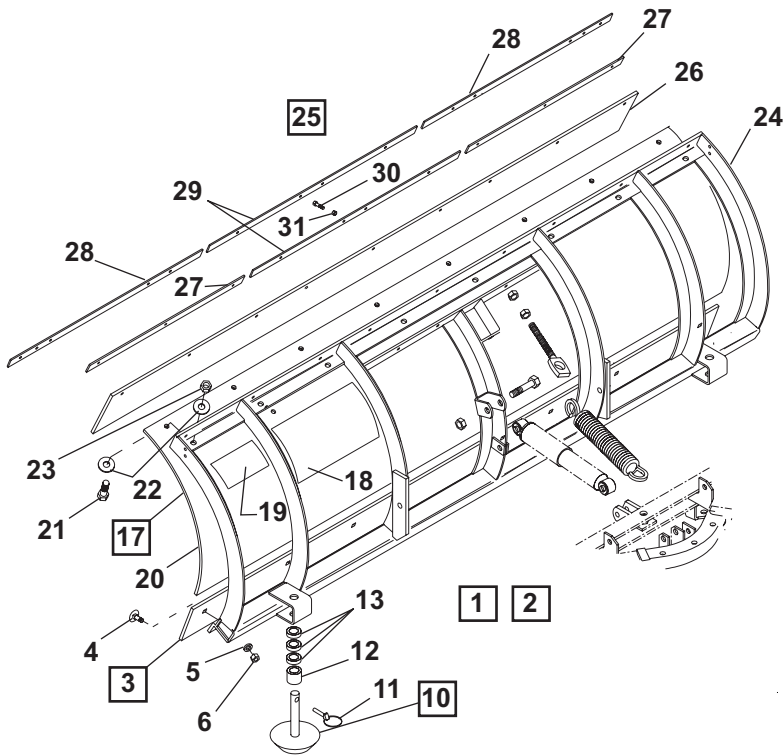
No. 62400 or 62450

A, Q, & L Box No. 63568

Hydraulics Box No. 56365

Headlamp Kit No. 61540 or 61550

Steel PRO-PLOW® Blade Assembly 60381, 60390, 60308, or 60655 POLY PRO-PLOW® Blade Assembly 62400, 62450



POLY PRO-PLOW Blade Assembly

ITEM	PART NO.	QTY.	DESCRIPTION
1	62400	1	7.5 FT BLADE PY 62395 & 62396
	62450	1	8.0' BLADE PY 62420 & 62402
2	62395	1	7-1/2 FT BLADE PY(W/O 62396)
	62420	1	8.0' BLADE ASSEMBLY PY (W/O 62402)
3	49312	1	CUTTING EDGE ASSY 7-1/2' S PY
	49328	1	CUTTING EDGE ASSY 8.0' PY
4	90238	8	1/2-13X1-3/4 CB G8 BPO
5	91205	8	1/2 SP LK WASHER ZYC
6	91415	8	1/2-13 HX NUT ZYC
10	49071	2	HD DISC SHOE ASSY P
11	93010K	1	LINCHPIN 7/16" X 1-3/4"
12	60045	1	SPACER
13	91109	26	WASHER - SPECIAL ZYC
17	49322	1	MOLDBOARD ASSY 7.5' PY
	49327	1	MOLDBOARD ASSY 8.0' PY
18	61740	1	LABEL - INFORMATION (Link Arm Style)
19	59900	1	LABEL - INFORMATION (WARNING)
20	59756	1	LABEL - IDENTITY
21	90100	8	1/2-13X1-1/2 HX CS G5 ZYC
22	91105	16	1/2 PLAIN WASHER TY A STD ZYC
23	91335	8	1/2-13 PT HX LK NUT NYIS ZYC
24	62350	1	BLADE FRAME - 7.5' PY
	62415	1	BLADE FRAME - 8.0' PY
25	62396	1	7-1/2 FT SNOW DEFLECTOR ASSY
	62402	1	8 FT SNOW DEFLECTOR ASSY PY
26	62149	1	RUBBER DEFLECTOR 7.5'
	62394	1	RUBBER DEFLECTOR 8.0'
27	64803	2	RETAINER, OUTER - 7.5'
28	64801	2	RETAINER, OUTER - 9.0'
29	64802	1	RETAINER, INNER
30	90021	12	5/16-18X1-1/4 HX CS G5 ZYC
31	91332	12	5/16-18 PT HX LK NUT NYIS ZYC
NS	28547	1	BLADE LABEL KIT, UniMount®

Parts listed above may be found in following:

62397 1 BOLT BAG ASSY (62396 & 62381)

** 3 for the 7-1/2 ft. blade and 2 for the 8 ft. blade.

Steel PRO-PLOW Blade Assembly

ITEM	PART NO.	QTY.	DESCRIPTION
1	60381	1	7-1/2 FT BLADE ASSY P
	60390	1	8 FT BLADE ASSY P
	60308	1	8-1/2 FT BLADE ASSY PY
	60655	1	9 FT BLADE ASSY P
2	49088	1	CUTTING EDGE ASSY 7-1/2' P
	49089	1	CUTTING EDGE ASSY 8' P
	49086	1	CUTTING EDGE ASSY 8-1/2' P
	49251	1	CUTTING EDGE ASSY 9' P
3	90238	*	1/2-13X1-3/4 CB G8 BPO
4	91205	*	1/2 SP LK WASHER ZYC
5	91415	*	1/2-13 HX NUT ZYC
8	49071	2	HD DISC SHOE ASSY P
9	93010K	1	LINCHPIN 7/16" X 1-3/4"
10	60045	1	SPACER
11	91109	19	WASHER - SPECIAL ZYC
12	61740	1	LABEL - INFORMATION (Link Arm Style)
13	59900	1	LABEL - INFORMATION (WARNING)
14	59756	1	LABEL - IDENTITY
NS	28547	1	BLADE LABEL KIT, UniMount

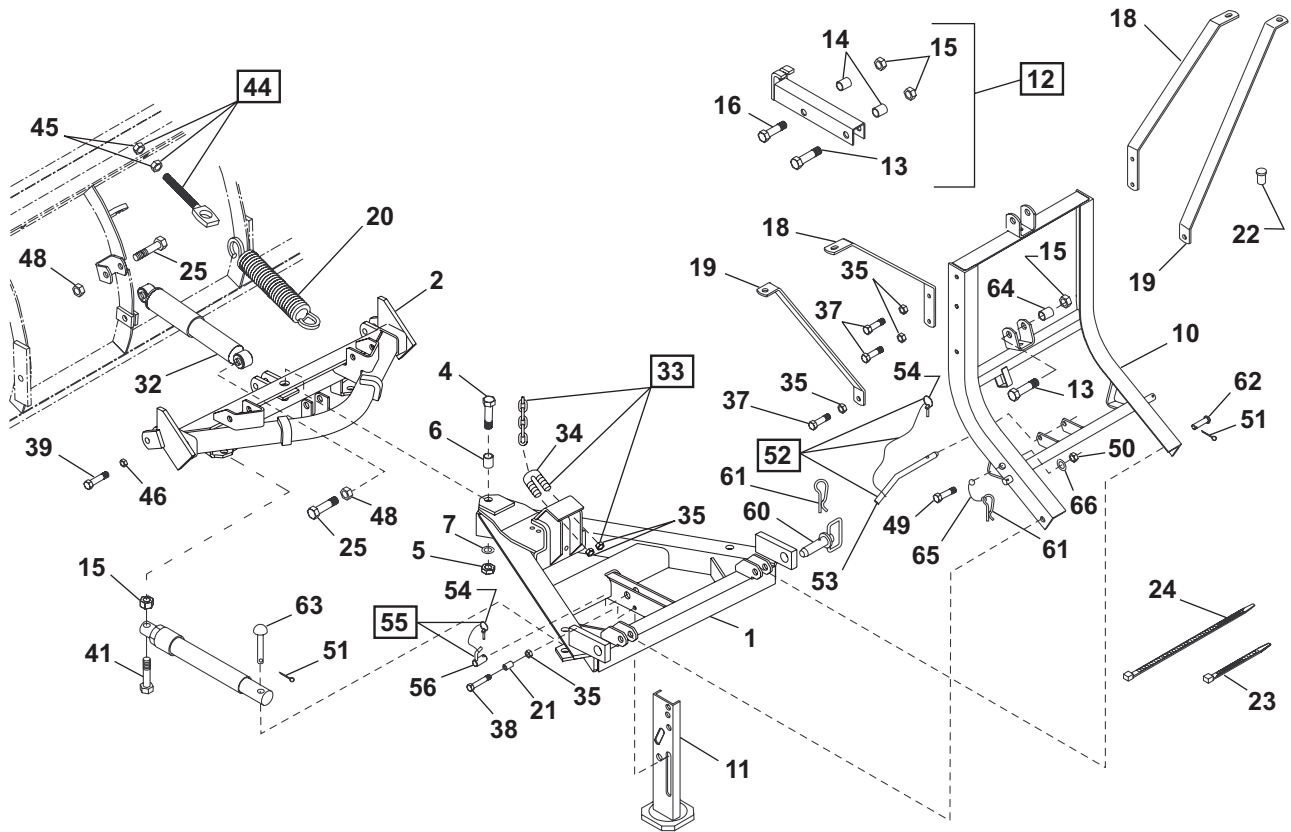
* 8 each except for 9 Ft. blade — 10 each.

Indented parts are included in the assembly under which they are listed. Quantities shown are included with the assembly.

Abbreviations

A,Q,&L	A-Frame, Quadrant & Lift Frame	P	PRO-PLOW Plow
ASSY	Assembly	PT	Prevailing Torque
BPO	Black Phosphate & Oil	PY	POLY PRO-PLOW Plow
CB	Carriage Bolt	S	Standard Plow
CS	Cap Screw	SAE	Society of Automotive Engineers
FLG	Flange	SP	Spring
FT	Foot	STD	Standard
G	Grade	TY	Type
HD	Heavy Duty	U	UniMount System
HX	Hex	W/	With
ID	Inside Diameter	W/O	Without
LG	Long	WLF	Whiz-Lock Flange
LK	Lock	ZYC	Zinc Yellow Chromate
NYIS	Nylon Insert		
OD	Outside Diameter		

A,Q&L Box No. 63568
(Used with Steel PRO-PLOW® or POLY PRO-PLOW® Blades)



ITEM	PART NO.	QTY.	DESCRIPTION	ITEM	PART NO.	QTY.	DESCRIPTION
1	63581	1	A-FRAME U P	39	90132	3	5/8-11X3 HX CS G5 ZYC
2	63582	1	QUADRANT P	41	90161	2	3/4-10X4 HX CS G5 ZYC
4	. 63573	1	3/4-10X4 HX FLG CS G8 ZYC	44	90493K	4	EYEBOLT W/2-#91416 NUTS
5	. 63574	1	3/4-10 PT HX FLG LK NUT ZYC	45	. 91416	2	5/8-11 HX NUT ZYC
6	. 63492	1	TUBE SPACER (1.06 LG)	46	91337	3	5/8-11 PT HX LK NUT NYIS ZYC
7	. 63575	1	3/4 SAE STRUCTURAL WASHER	48	91339	2	3/4-10 PT HX JAM LK NUT NYIS ZYC
10	61362	1	LIFT FRAME U P	49	63571	2	1/4-20X1-3/4 WLF SCREW ZYC
11	61353	1	STAND	50	91331	2	1/4-20 PT HX LK NUT NYIS ZYC
12	49277	1	LIFT CHANNEL KIT U	51	91911	4	5/32X1-1/2 COTTER PIN ZYC
13	. 63208	1	3/4-10X3-3/4 HX CS G5 ZYC	52	63585	1	STAND PIN ASSY
	63208	1	3/4-10X3-3/4 HX CS G5 ZYC	53	. 93033K	1	PIN 1/2" X 5.5"
14	. 63211	2	SPACER .758 ID X 1.0 OD X .5 LG	54	. 93042K	1	LINCH PIN 3/16"
15	. 91338	2	3/4-10 PT HX LK NUT NYIS ZYC	55	63586	1	LOCK PIN ASSY
	91338	3	3/4-10 PT HX LK NUT NYIS ZYC	54	. 93042K	1	LINCH PIN 3/16"
16	. 63207	1	3/4-10X3-1/4 HX CS G5 ZYC	56	. 93034K	1	STAND LOCK PIN 5/8" X 2"
18	63532	2	LIGHT BRACKET TOP SHORT	60	93028K	2	HITCH PIN 1" X 3-1/2"
19	63533	2	LIGHT BRACKET BOTTOM SHORT	61	91965K	4	HAIRPIN COTTER 5/32"
20	23039	4	TRIP SPRING	62	93040	2	PIN CLEVIS 5/8X2.25 STEEL ZYC
21	61487	1	SPACER .56 OD X .39 ID X .965 LG	63	93063K	2	RIVET 3/4" X 3-1/4"
22	61482	2	VINYL CAP 1/2 X 1/2	64	63212	1	SPACER .758 ID X 1.0 OD X .69 LG
23	59223	4	CABLE TIE	65	63563	2	LANYARD .05 X 6
24	61536	3	CABLE TIE - LONG	66	90331	2	1/4 FLAT WASHER
25	90157	2	3/4-10X3 HX CS G5 ZYC				
32	60338	1	SHOCK ABSORBER ASSEMBLY	Parts listed above may be found in one of the following:			
33	49033	1	REPLACEMENT CHAIN ASSY	63569	1	PARTS BAG ASSY (63568)	
34	. 90496	1	3/8-16X1-1/2 U-BOLT ZYC	61579	1	BOLT BAG (A,Q&L COMMON)	
35	. 91333	2	3/8-16 PT HX LK NUT NYIS ZYC	Service Parts Kit			
	91333	8	3/8-16 PT HX LK NUT NYIS ZYC	61941K	1	UniMount® RETAINER PIN KIT	
37	90040	6	3/8-16X1-1/4 HX CS G5 ZYC	(Includes items 54 and 61, quantities as shown.)			
38	90043	1	3/8-16X2 HX CS G5 ZYC				

Indented parts are included in the assembly under which they are listed. Quantities shown are included with the assembly.
For a list of abbreviations see page 1.



WESTERN PRODUCTS
P.O. BOX 245038
MILWAUKEE, WI 53224-9538

 A DIVISION OF DOUGLAS DYNAMICS, L.L.C.

Copyright © 2004 Douglas Dynamics, L.L.C. All rights reserved. This material may not be reproduced or copied, in whole or in part, in any printed, mechanical, electronic, film or other distribution and storage media, without the written consent of Western Products. Authorization to photocopy items for internal or personal use by Western Products outlets or snowplow owner is granted.

Western Products reserves the right under its product improvement policy to change construction or design details and furnish equipment when so altered without reference to illustrations or specifications used. Western Products and the vehicle manufacturer may require and/or recommend optional equipment for snow removal. Do not exceed vehicle ratings with a snowplow. Western Products offers a limited warranty on all snowplows and accessories. See separately printed page for this important information. The following are registered (®) trademarks of Douglas Dynamics, L.L.C: PRO-PLOW®, POLY PRO-PLOW®, UniMount® and WESTERN®.