



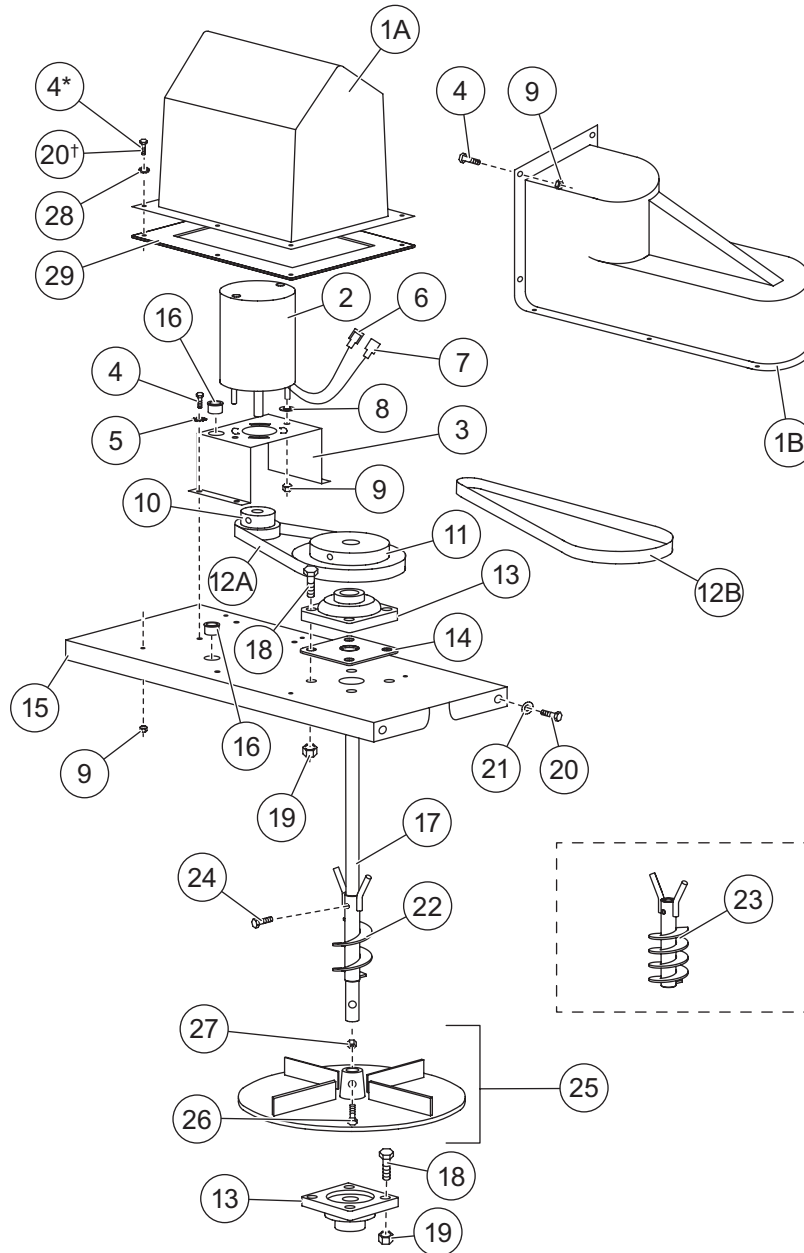
Western Products  
 PO Box 245038  
 Milwaukee, WI 53224-9538  
 www.westernplows.com

**DD A DIVISION OF DOUGLAS DYNAMICS, LLC**

**Model 1000 & 2000  
 Low-Profile Tailgate  
 Spreaders**

**DRIVE COMPONENTS  
 Parts List**

**PARTS LIST**



- \* Spreaders with serial numbers beginning with 031004 and lower.
- † Spreaders with serial numbers beginning with 031005 and higher.

This Parts List is for WESTERN® 1000 & 2000 series low-profile tailgate spreaders with serial numbers beginning with 10003 (1000 series) and 20364 (2000 series) and higher.

## 1000 & 2000 SERIES DRIVE COMPONENTS

Drive Components							
Item	Part	Qty	Description	Item	Part	Qty	Description
1A	P2121Y	1	Motor Cap Assembly – House-Style	15	68807	1	Motor Base Plate
1B	P3041	1	Motor Cap Assembly – L-Style	16	M1362	2	Grommet
2	93105	1	Motor 12V DC 1/3 HP	17	P3046	1	Drive Shaft
3	P2010	1	Motor Pedestal	18		8	3/8-16 x 1-1/4 Hex Cap Screw SS
4		14**	#10-32 x 5/8 Machine Screw SS	19		8	3/8-16 Hex Locknut GB
5		4	#10 External Lock Washer SS	20		10	1/4-20 x 3/4 Hex Cap Screw SS
6	M1458	1	1/4 Blade Terminal	21		4	1/4 Flat Washer SS
7	M1459	1	1/4 Insulated Receptacle	22	29995	1	Auger, 3-Flight (standard – for coarse material)
8	M2052	2	M5 x 10 Flat Washer	23	P2028	1	Auger, 5-Flight (optional – for fine material)
9		12‡	#10-32 Hex Locknut GB SS	24		1	5/16-18 x 1/2 Hex Cap Screw SS
10	P2100	1	Pulley – Drivegear 12T	25	94510	1	Spinner Kit (polyurethane)
11	76791	1	Gear Belt Pulley 40T	26	94496	1	1/4-20 x 2 Hex Cap Screw SS
12A	M1355	1	Gear Belt (for use w/house-style cover)	27		1	1/4-20 Hex Locknut GB SS
12B	M1582	1	Gear Belt (for use w/L-style cover)	28		6	1/4 External Lock Washer SS
13	68662	2	5/8 Bearing, 4-Bolt Flange	29	95333	1	Gasket, Low Pro Motor Cap
14	P2095	1	Neoprene Gasket				
G = Grade			SS = Stainless Steel			M = Metric	

\*\* Qty 14 for L-style cover; Qty 10 for house-style cover on units with serial numbers beginning with 031004 and lower; Qty 4 for house-style cover on units with serial numbers beginning with 031005 and higher.

‡ Qty 12 for L-style cover; Qty 8 for house-style cover on units with serial numbers beginning with 031004 and lower; Qty 2 for house-style cover on units with serial numbers beginning with 031005 and higher.

Copyright © 2023 Douglas Dynamics, LLC. All rights reserved. This material may not be reproduced or copied, in whole or in part, in any printed, mechanical, electronic, film, or other distribution and storage media, without the written consent of Western Products. Authorization to photocopy items for internal or personal use by Western Products outlets or spreader owner is granted.

Western Products reserves the right under its product improvement policy to change construction or design details and furnish equipment when so altered without reference to illustrations or specifications used. Western Products or the vehicle manufacturer may require or recommend optional equipment for spreaders. Do not exceed vehicle ratings with a spreader. Western Products offers a limited warranty for all spreaders and accessories. See separately printed page for this important information. The following is a registered (®) trademark of Douglas Dynamics, LLC: WESTERN®.

Printed in U.S.A.