



WESTERN PRODUCTS
P.O. BOX 245038
MILWAUKEE, WI 53224-9538

 A DIVISION OF DOUGLAS DYNAMICS, L.L.C.



9-1/2' Blade and A-Frame No. 63665
Lift Box No. 63660
Hydraulics Box No. 66587
Headlamp Kit No. 66640

January 5, 2004

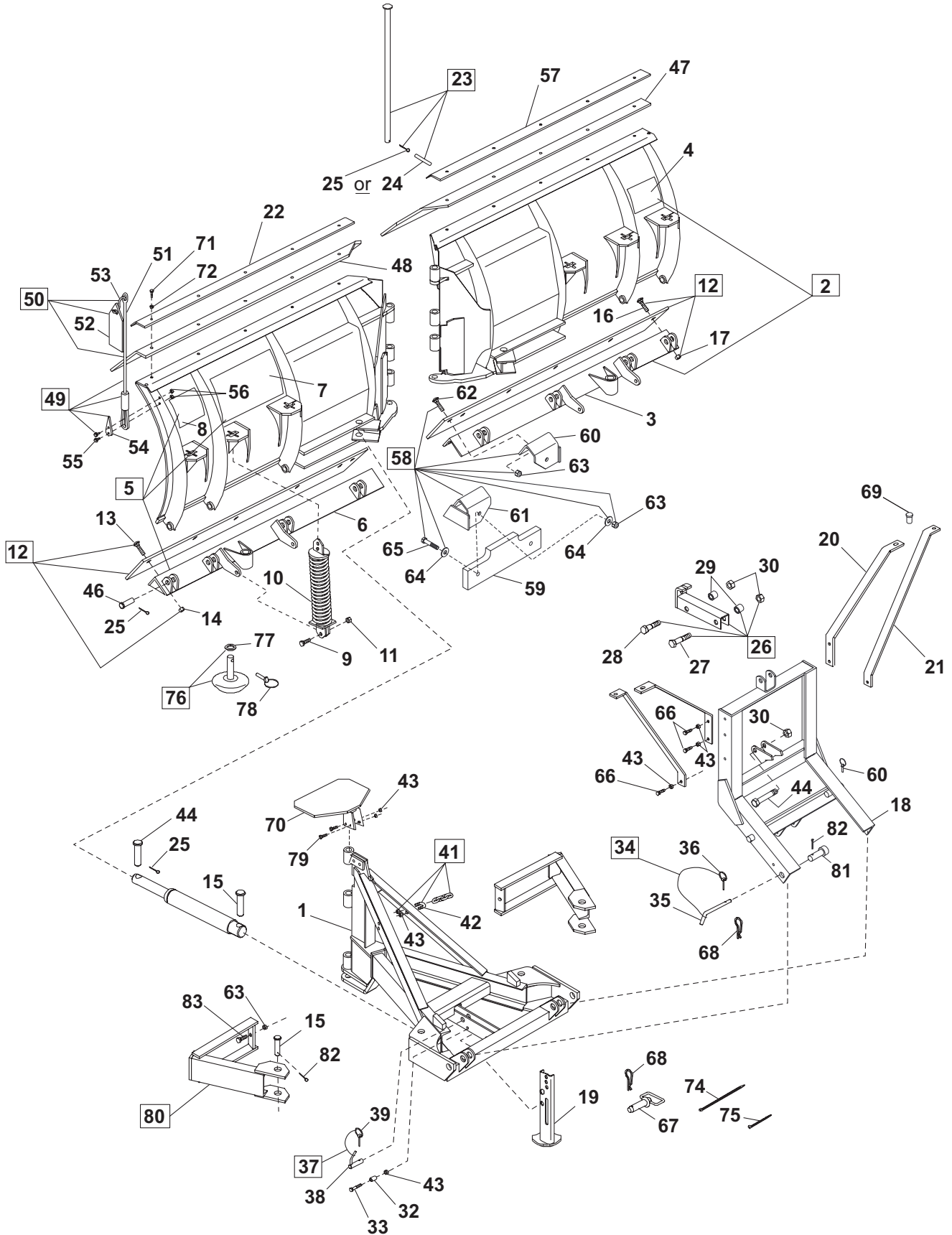
9-1/2' MVP® Snowplow Assembly Parts List

**These pages cover service parts lists for the
Blade and A-Frame, Lift Box, Hydraulics Box,
and Headlamp Kit for the MVP Snowplow.**

**See the MVP Snowplow Vehicle and Plow Mount Parts
Lists for parts in the Mount Assembly Box.**

MVP® SNOWPLOW ASSEMBLY PARTS LIST

BLADE AND A-FRAME NO. 63665 & LIFT FRAME BOX NO. 63660



MVP® SNOWPLOW ASSEMBLY PARTS LIST

BLADE AND A-FRAME NO. 63665 & LIFT FRAME BOX NO. 63660

ITEM	PART NO.	QTY.	DESCRIPTION	ITEM	PART NO.	QTY.	DESCRIPTION
1	63657	1	A-FRAME 9-1/2'	58	62636	1	CENTER FLAP KIT
2	63659	1	WING - PS 9-1/2'	59	. 63508	1	RUBBER FLAP
3	. 63662	1	BASE ANGLE - PS	60	. 63509	1	PS MOUNTING PLATE WELDMENT
4	. 62627	1	LABEL - IDENTITY (MVP®)	61	. 63510	1	DS MOUNTING PLATE WELDMENT
5	63658	1	WING - DS	62	. 5551	4	1/2-13X2 G5 ZP
6	. 63661	1	BASE ANGLE - DS	63	. 91335	6	1/2-13 PT HX LK NUT NYIS ZYC
7	. 61740	1	LABEL - INFORMATION		91335	2	1/2-13 PT HX LK NUT NYIS ZYC
8	. 59900	1	LABEL - INFORMATION (WARNING)	64	. 91105	4	1/2 PLAIN WASHER TY A STD ZYC
9	91003	4	7/16-14 .50X1.5 HX SH BLT G5 ZP	65	. 90104	2	1/2-13X2-1/2 HX CS G5 ZP
10	21452	6	REMOVABLE SPRING ASSEMBLY	66	90040	6	3/8-16X1-1/4 HX CS G5 ZYC
11	90353	4	7/16-14 PT HX LK NUT TI ZP	67	93028K	2	HITCH PIN 1" X 3-1/2"
12	63678	2	CUTTING EDGE KIT 9-1/2'	68	91965K	4	HAIRPIN COTTER 5/32"
13	. 90238	8	1/2-13X1-3/4 CB G8 BPO	69	61482	2	VINYL CAP 1/2X1/2
14	. 91335	8	1/2-13 PT HX LK NUT NYIS ZYC	70	63663	1	CENTER DEFLECTOR ASSY
15	6817	2	PIVOT PIN 1X6	71	. 90020	12	5/16-18X1 HX CS G2 ZP
18	63639	1	LIFT FRAME 9.5	72	. 91332	12	5/16-18 PT HX LK NUT NYIS ZYC
19	62199	1	STAND	73	. 91102	6	5/16 PLAIN WASHER TY A STD ZP
20	61552	2	LIGHT BRACKET TOP	74	61536	3	CABLE TIE - LONG
21	61553	2	LIGHT BRACKET BOTTOM	75	59223	4	CABLE TIE
22	26983	1	V-PLOW BOLTING BAR DS	76	26523	2	DISC SHOE ASSEMBLY - 6" SOLID CAST
23	62638	1	PIVOT PIN KIT	77	. 307-1	5	SHOE SPACER
24	. 26463	1	1/4"X2" SPRING PIN	78	. 93010K	1	LINCH PIN 7/16" X 1-3/4"
	or			79	90124	2	3/8-16X2 HX CS G5
25	. 91911	1	5/32X1-1/2 COTTER PIN ZYC	80	26583	2	BLADE STOP
	91911	14	5/32X1-1/2 COTTER PIN ZYC	81	. 93072	2	1 X 2-5/16 G5 ZYC
26	62154	1	LIFT CHANNEL KIT HW	82	. 90013	2	PIN, COTTER 1/4X2 ZP
27	. 90160	1	3/4-10X4-1/2 HX CS G5 ZYC	83	. 90210	2	CS HX 1/2-13X1-1/2 G5 ZP
28	60161	1	3/4-10X4 HX CS G5 ZYC				
29	60159	2	3/4-10X3-1/2 HX CS G3 ZYC				
30	. 91338	2	3/4-10 PT HX JAM LK NUT NYIS ZYC				
	91338	1	3/4-10 PT HX JAM LK NUT NYIS ZYC				
32	61487	1	SPACER .56 OD X.39 ID X.965 LG				
33	90043	1	3/8-16X2 HX CS G5 ZYC				
34	63565	1	STAND PIN ASSEMBLY				
35	. 93033K	1	PIN 1/2" X 5.5"				
36	. 93042K	2	LINCH PIN 3/16"				
37	63566	1	STAND LOCK PIN ASSEMBLY				
38	. 93034K	1	STAND LOCK PIN 5/8" X 2"				
40	63563	2	LANYARD .05X6				
41	49263	1	CHAIN 1/4X100				
42	. 90496	2	3/8-16 X 1-1/2 U-BOLT ZYC				
43	. 91333	4	3/8-16 PT HX LK NUT NYIS ZYC				
	91333	15	3/8-16 PT HX LK NUT NYIS ZYC				
44	93077K	2	RIVET 1" X 4"				
46	5523	8	3/4"X2-3/16" MACHINE PIN				
47	26586	1	RUBBER DEFLECTOR PS				
48	63664	1	RUBBER DEFLECTOR (LOGO) DS				
49	59700	1	BLADE GUIDE ASSY				
50	. 59697	2	BLADE GUIDE ROD, S-HOOK & FLAG				
51	. . 59691	1	BLADE GUIDE ROD				
52	. . 59694K	1	BLADE GUIDE FLAG				
53	. . 59696	1	S-HOOK				
*	. 59699	1	BOLT BAG ASSY				
54	. . 59946	2	CLAMP				
55	. . 90020	4	5/16-18X1 HX CS G2 ZP				
56	. . 91332	4	5/16-18 PT HX LK NUT NYIS ZYC				
57	26984	1	V-PLOW BOLTING BAR PS				

Parts listed above may be found in the following:							
*	63649	1	PARTS BAG ASSY (63660)				
Service Parts Kit							
*	61941K	1	UniMount® RETAINER PIN KIT (Includes items 36 & 68 quantities as shown)				
*	63678	1	MVP® KIT - WEAR EDGES (Includes items 12, 13, & 14 quantities as shown)				
*	62636	1	CENTER FLAP KIT				
*	53565	1	ANGLE STOP KIT				

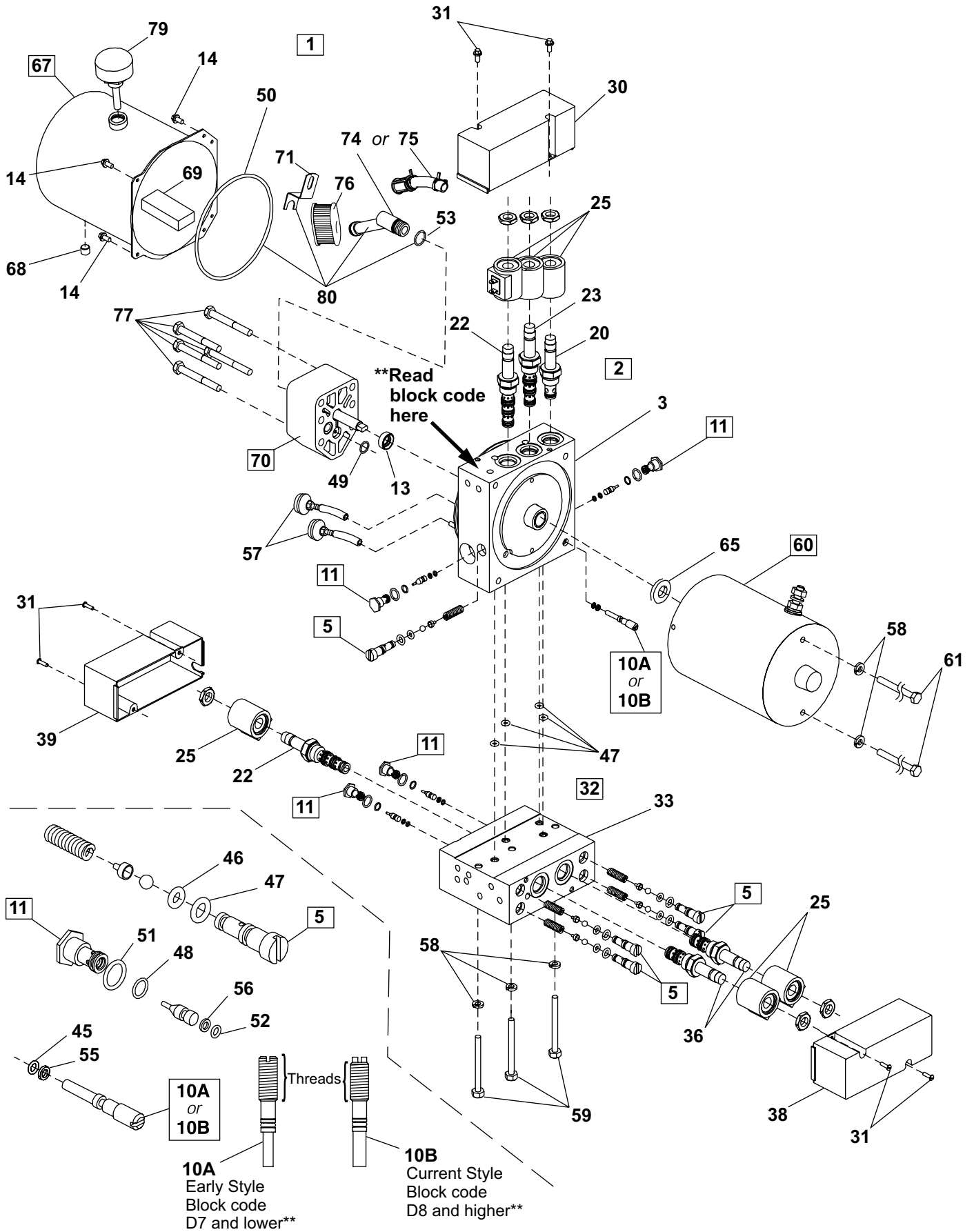
* Not Shown.

Indented parts are included in the assembly under which they are listed. Quantities shown are included with the assembly.

For a list of abbreviations, see page 4.

MVP® SNOWPLOW ASSEMBLY PARTS LIST

HYDRAULICS BOX NO. 66587



MVP® SNOWPLOW ASSEMBLY PARTS LIST

HYDRAULICS BOX NO. 66587

ITEM	PART NO.	QTY.	DESCRIPTION
1	66780	1	HYDRAULIC UNIT
2	66774	1	PRIMARY VALVE MANIFOLD ASSY W/ CARTRIDGES, COILS, COVERS
3	66776	1	PRIMARY MANIFOLD ASSY W/O CARTRIDGES, COILS, COVERS
(Both Primary Manifold Assemblies include item 47 (4), 49 (1), 50)			
5	49138K	1/2	RELIEF VALVE KIT - 2 SETS
10A	66509	1	QUILL ASSY
or			
10B	56662	1	QUILL ASSY
11	66785	2	PILOT - CHECK VALVE KIT
13	66515	1	PUMP SHAFT SEAL
14	66607	4	#10-24X5/16 MACHINE SCREW
20	49227K	1	CARTRIDGE 20 W/JAM NUT
*	49258	1	SEAL KIT - CARTRIDGE 20
22	49229K	1	CARTRIDGE 40 W/JAM NUT
23	66783K	1	CARTRIDGE 43 W/JAM NUT
*	49259	1	SEAL KIT - CARTRIDGE 30, 31, 33, 40, 43
25	49230K	3	COIL W/SPADE TERMINALS
30	66396	1	COVER ASSY V-PLOW 4-4-2
31	90650	2	#8-32X1/2 TORX HXW TCTS TY D ZP
32	66786	1	SECONDARY VALVE MANIFOLD ASSY W/ CARTRIDGES, COILS, COVERS
33	66772	1	SECONDARY MANIFOLD ASSY W/O CARTRIDGES, COILS, COVERS
(Both Secondary Manifold Assemblies include item 47 (4))			
5	49138K	2	RELIEF VALVE KIT - 2 SETS
11	66785	2	PILOT - CHECK VALVE KIT
36	49228K	2	CARTRIDGE 30 W/JAM NUT
22	49229K	1	CARTRIDGE 40 W/JAM NUT
*	49259	1	SEAL KIT - CARTRIDGE 30, 31, 33, 40, 43
25	49230K	3	COIL W/SPADE TERMINALS
38	66397	1	COVER ASSY V-PLOW 3-3
39	66398	1	COVER ASSY V-PLOW 4 WAY
31	90650	4	#8-32X1/2 TORX HXW TCTS TY D ZP
*	56657	1	O-RING AND BACK-UP RING KIT - SOL
(For Primary and Secondary Manifold Relief Valves, Check Valves and Quill Assembly. Above listed Kits include back-up and o-rings.)			
45	25622	1	O-RING -006
46	55371	5	O-RING -008, 90 DUROMETER (black)
47	25731	9	O-RING -010
48	66627	4	O-RING -011
49	56274	1	O-RING -013
50	66519	1	O-RING 2-250
51	56569	4	O-RING -906
52	56776	4	O-RING -008, RED, 70 DUROMETER
53	56416	1	O-RING -014
55	56315	1	BACK-UP RING -006
56	66628	4	BACK-UP RING -008
57	66405	2	RETURN SCREEN ASSY
58	91201	3	1/4" SP LK WASHER ZP
59	66597	3	1/4-20X2-1/2 HX CS G5 ZP/ZYC
60	21500	1	MOTOR ASSY 4-1/2"
(See next page for motor service parts)			
67	66631	1	RESERVOIR KIT MVP® (Kit includes Items 14 (4), 50)
68	92095	1	PLUG 1/4 NPTF HX SO THREAD SEAL
69	73897	1	MAGNET
70	21501	1	HYD PUMP KIT (FloStat®)
74	66763	1	INLET FITTING / FILTER KIT (Includes 49, 50, 53)
80	28479	1	INLET FITTING KIT
71	-	1	RETAINER CLIP
75	66599	1	PICK-UP TUBE ASSY (Early pumps with hose clamps—includes Item 76)
76	56789	1	SUCTION FILTER KIT
77	90073	5	5/16-18X2-1/4 HEX CAP SCREW G5
79	66525	1	RESERVOIR FILLER BREATHER PLUG

* Not Shown.

Parts furnished in the hydraulics box and installed on the vehicle are shown in the mount box instructions.

Indented parts are included in the assembly under which they are listed.

Quantities shown are included with the assembly.

Abbreviation Key

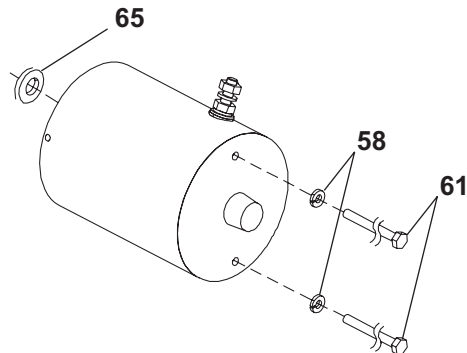
AD	Adapter	OM	Owner's Manual
AFB	Ampere, Fast Blow	OP	Operational
ASSY	Assembly	PC	Printed Circuit
BPO	Black Phosphate & Oil	PH	Cross Recessed (Phillips Head)
BZP	Black Zinc Plate	PN	Pan
CB	Carriage Bolt	PS	Passenger Side
CS	Cap Screw	PT	Prevailing Torque
CYL	Cylinder	RD	Round
DA	Double-Acting	SAE	Society of Automotive Engineers
DS	Driver Side	SH BLT	Shoulder Bolt
EA	Each	SL	Slotted
ELL	Elbow	SO	Socket Head
F	Female	SOL	Solenoid
G	Grade	SP	Spring
GA	Gauge	SPDT	Single Pole Double Throw
HD	Heavy Duty	SPL	Special
HX	Hex	STD	Standard
HXW	Hex Washer	STS	Stainless Steel
HYD	Hydraulic	SYS	System
ID	Inside Diameter	TCTS	Thread Cutting Tapping Screw
INST	Installation Instructions	TFTS	Thread Forming Tapping Screw
LG	Long	TI	Thread Interference
LK	Lock	TY	Type
MS	Machine Screw	W/	With
NPSM	National Pipe Straight Thread for Mechanical Joints	WLF	Whiz-Lock Flange
NPTF	National Pipe Thread (Fluid)	W/O	Without
NYIS	Nylon Insert	WP	Western Products
OD	Outside Diameter	ZP	Zinc Plate

MVP® SNOWPLOW ASSEMBLY PARTS LIST

HYDRAULICS BOX NO. 66587

Motor Manufacturer Identification and Service Parts

Photos show terminal positions and end caps for brand identification. (Motors shown with flanges.)



Prestolite 2 Terminal

ITEM	PART NO.	QTY.	DESCRIPTION
*	56638	1	END CAP W/ O-RING - PRESTOLITE 2 TERMINAL
*	56622	1	BRUSH KIT - PRESTOLITE 2 TERMINAL
61	56621	1	THRU-BOLT KIT - PRESTOLITE 2 TERMINAL (Includes cap screws and special washers)
65	56641	1	THRUST WASHER KIT - PRESTOLITE 2 TERMINAL (Includes retaining ring for early production)

Bosch 2 Terminal

ITEM	PART NO.	QTY.	DESCRIPTION
*	56620	1	BRUSH KIT - BOSCH 2 TERMINAL
61	21508	2	CS HX 1/4-20 X 6-1/4 G5 ZYC
58	91201	2	WASHER SP LK 1/4
65	21535	1	WASHER, FIBER THRUST 5/8 (drive end)

* Not Shown.

Parts furnished in the hydraulics box and installed on the vehicle are shown in the mount box instructions.

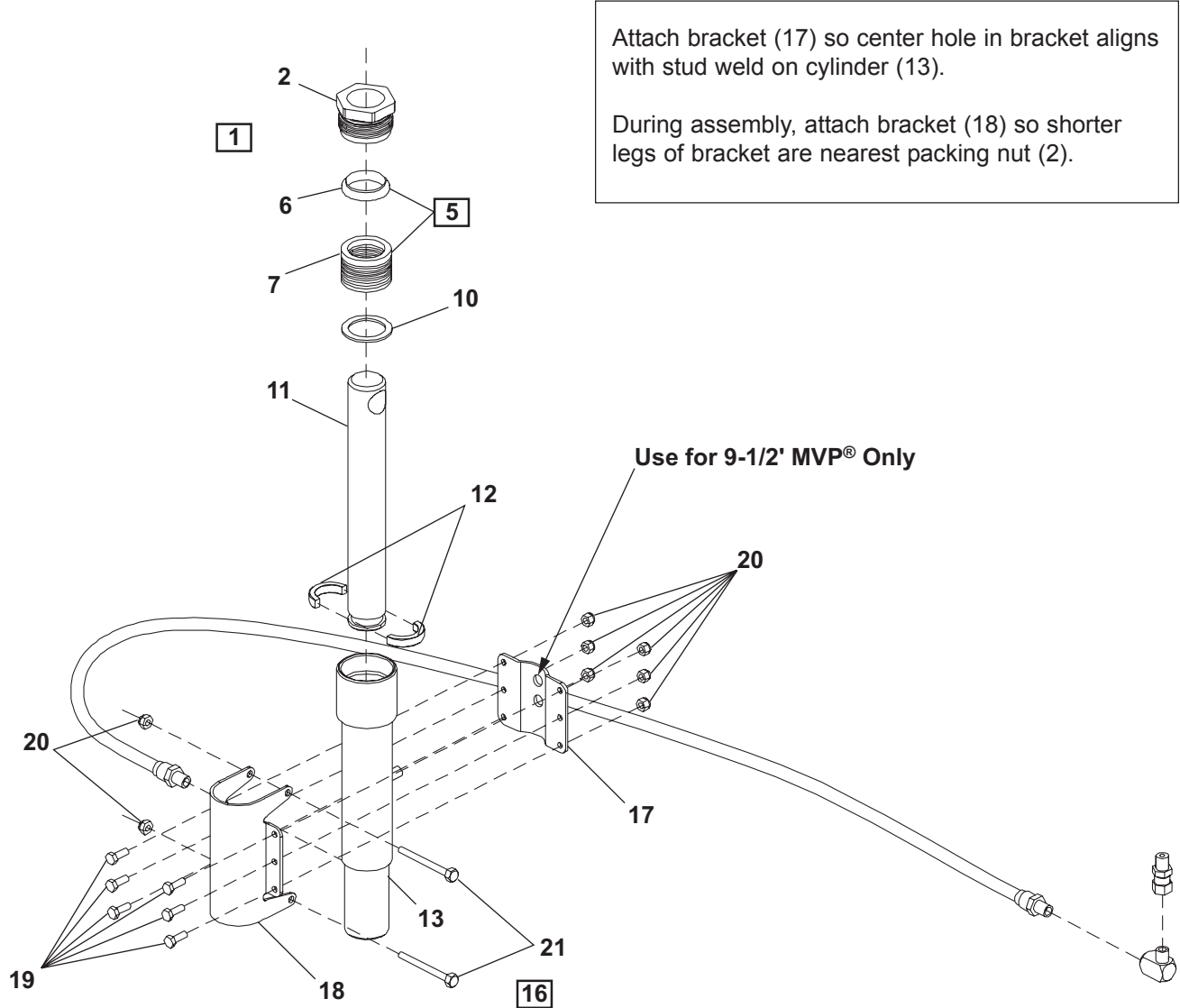
Indented parts are included in the assembly under which they are listed.

Quantities shown are included with the assembly.

For a list of abbreviations, see page 4.

MVP® SNOWPLOW ASSEMBLY PARTS LIST

HYDRAULICS BOX NO. 66587



Attach bracket (17) so center hole in bracket aligns with stud weld on cylinder (13).

During assembly, attach bracket (18) so shorter legs of bracket are nearest packing nut (2).

ITEM	PART NO.	QTY.	DESCRIPTION
1	66722	1	RAM ASSY 1-1/2" X 8"
2	. 25944K	1	PACKING NUT 1-1/2"
5	. 25205K	1	PACKING SET W/WIPER 1-1/2"
6	. . 55137	1	WIPER RING 1-1/2"
7	. . 55136	1	PACKING SET 1-1/2"
10	. 91167	1	WASHER - SPECIAL
11	. 56534	1	PLUNGER 1-1/2" X 8" RAM
12	. 62290	2	SPLIT BEARING 1-1/2"
13	. 66721	1	CYLINDER 1-1/2" X 8"
16	66778	1	MOUNTING BRACKET KIT (WP)
17	. 67386	1	CYLINDER MOUNT BRACKET
18	. 67387	1	CYLINDER MOUNT BRACKET

ITEM	PART NO.	QTY.	DESCRIPTION
19	. 90461	6	1/4-20X3/4 HX CS G5 ZP
20	. 91331	8	1/4-20 PT HX LK NUT NYIS ZP
21	. 90010	2	1/4-20X2-3/4 HX CS G5 ZP

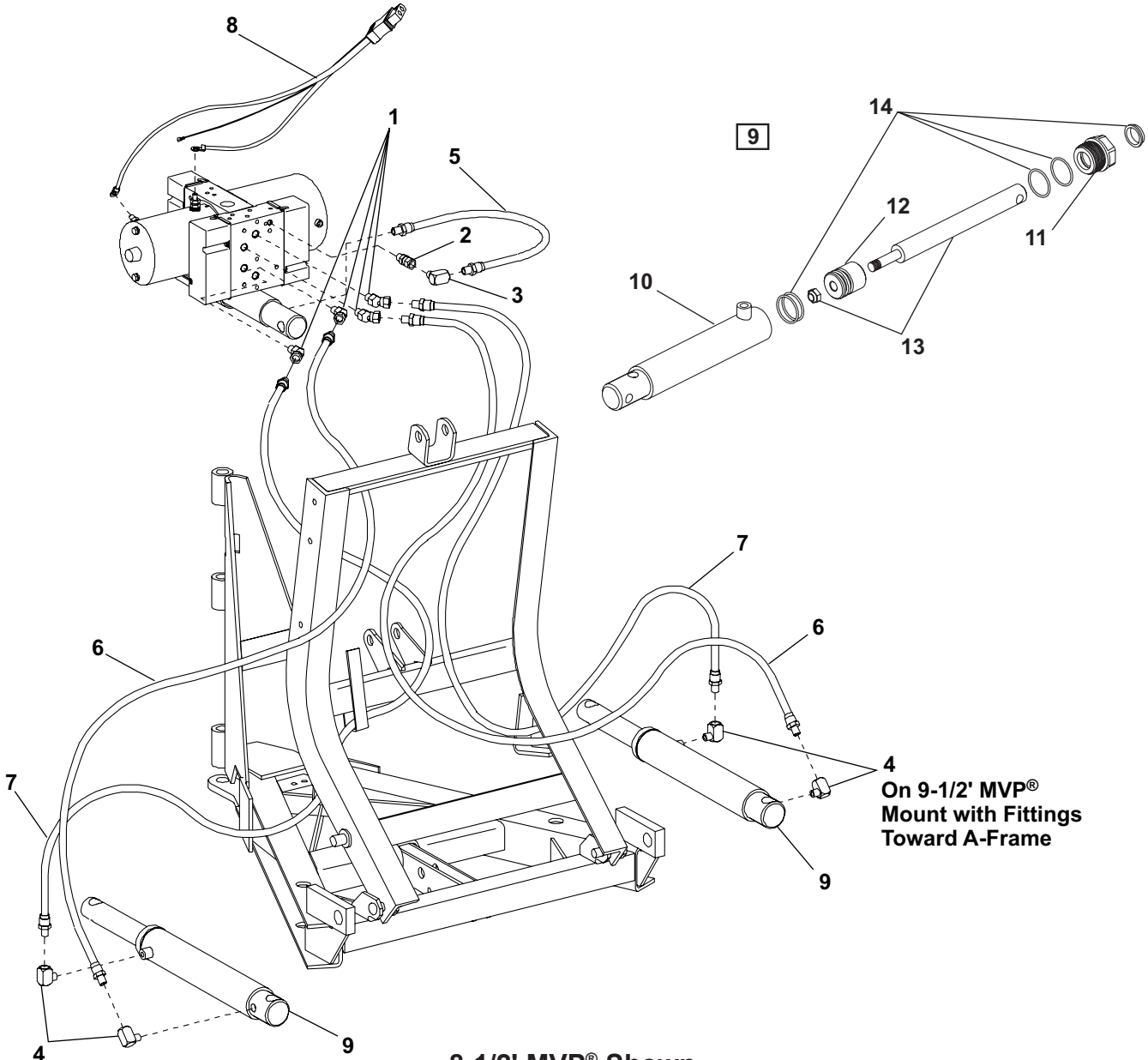
Parts furnished in the hydraulics box and installed on the vehicle are shown in the mount box instructions.

Indented parts are included in the assembly under which they are listed. Quantities shown are included with the assembly.

For a list of abbreviations, see page 4.

MVP® SNOWPLOW ASSEMBLY PARTS LIST

HYDRAULICS BOX NO. 66587



**On 9-1/2' MVP®
Mount with Fittings
Toward A-Frame**

8-1/2' MVP® Shown

**On 9-1/2' MVP®
Mount with Fittings
Toward A-Frame**

ITEM	PART NO.	QTY.	DESCRIPTION
1	92190K	4	45F AD UNION (MALE) 1/4 NPTF/NPSM
2	66562K	1	STRAIGHT ADAPTER UNION (MALE)
3	92210K	1	1/4 NPTF X 90 STREET ELL HYD
4	56539K	4	ELBOW, 90F -6 O-RING-1/4 NPTF
5	56224K	1	HIGH PRESSURE HOSE 1/4 X 18
6	4424K	2	HIGH PRESSURE HOSE 1/4 X 36
7	55020K	2	HIGH PRESSURE HOSE 1/4 X 38
8	66624	1	PLOW CABLE ASSEMBLY
9	56709W	1	KIT, DA RAM, 2X10 (includes 4 of item 4)
10	64311	1	2X10 DA CYL WELDMENT KIT

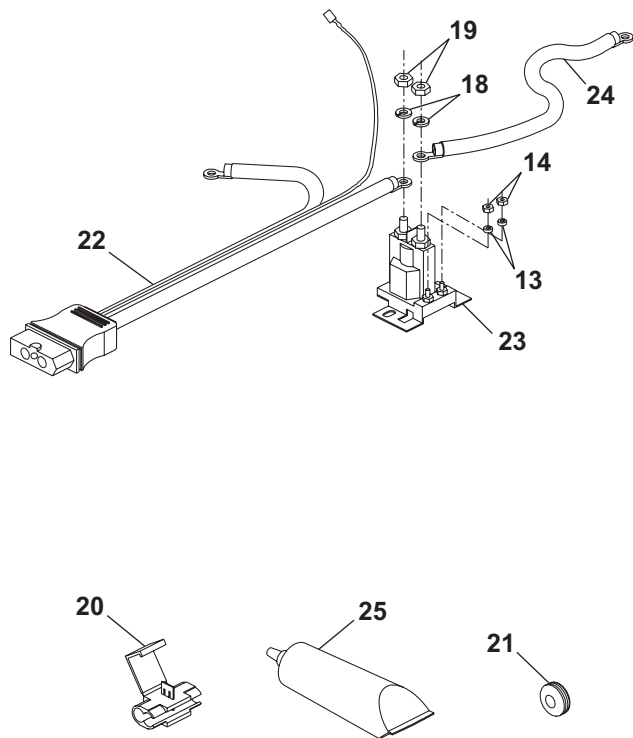
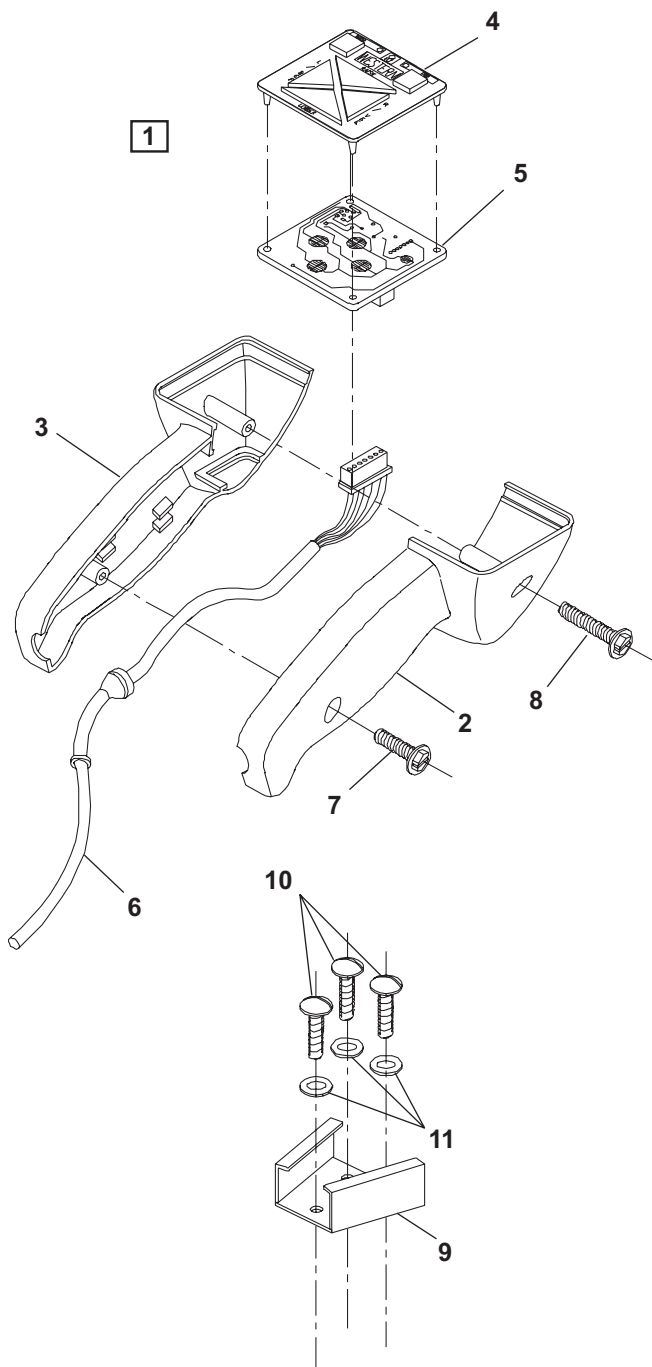
ITEM	PART NO.	QTY.	DESCRIPTION
11	56579	1	GLAND NUT POLYPAC SEAL
12	66379	1	PISTON 2"
13	66394	1	2X10 DA CYLINDER ROD KIT
14	66389	1	SEAL KIT 2" BORE DA CYL

Indented parts are included in the assembly under which they are listed. Quantities shown are included with the assembly.

For a list of abbreviations, see page 4.

MVP® SNOWPLOW ASSEMBLY PARTS LIST

HYDRAULICS BOX NO. 66587



ITEM	PART NO.	QTY.	DESCRIPTION
1	66635	1	HAND-HELD CONTROL (MVP®)
2	49320	1	CONTROL BODY-RIGHT
3	49321	1	CONTROL BODY-LEFT
4	66792	1	KEYPAD ASSEMBLY (MVP®)
5	66793	1	PC BOARD ASSEMBLY (MVP®) SERVICE
6	66633	1	HARNESS (MVP®) PLOW COIL CORD
7	93173	1	#8-18X3/4 SL HXW TFTS HILO
8	93174	1	#8-18X1-1/4 SL HXW TFTS HILO
*	69190	1	FUSE KIT (MVP®) PLOW PKG OF 5
9	56436	1	CONTROL BRACKET

ITEM	PART NO.	QTY	DESCRIPTION
10	80135	3	#6X1 PH PN TCTS TY F ZP/ZPC
11	91230	3	#6 SP LK WASHER ZYC/ZP
*	91098	2	#10 PLAIN WASHER TY A ZP/ZYC
13	91242	2	#10 SP LK WASHER BZP
14	91402	2	#10-32 HX NUT ZP
*	90002	2	1/4-20-X3/4 HX CS G2 ZP
*	91101	2	1/4 PLAIN WASHER TY A STD ZP
*	91331	2	1/4-20 PT HX LK NUT NYIS ZP
18	91202	2	5/16 SP LK WASHER ZP
19	92842	2	5/16-24 HX JAM NUT ZP
20	59114	1	SELF STRIP WIRE CONNECTOR
21	66130	1	RUBBER GROMMET
22	66623	1	VEHICLE CABLE ASSEMBLY
23	56131K	1	MOTOR RELAY KIT
24	22511	1	BATTERY CABLE 22" RED
*	20681	1	BATTERY CABLE 50"
25	56099	1	DIELECTRIC GREASE TUBE .25 oz. SIZE
25	49326	1	WESTERN DIELECTRIC GREASE TUBE 2 oz.
*	66760K	1	(MVP®) PLOW ADAPTOR CABLE KIT (For straight blade use with MVP® vehicle harness.)

* Not Shown.

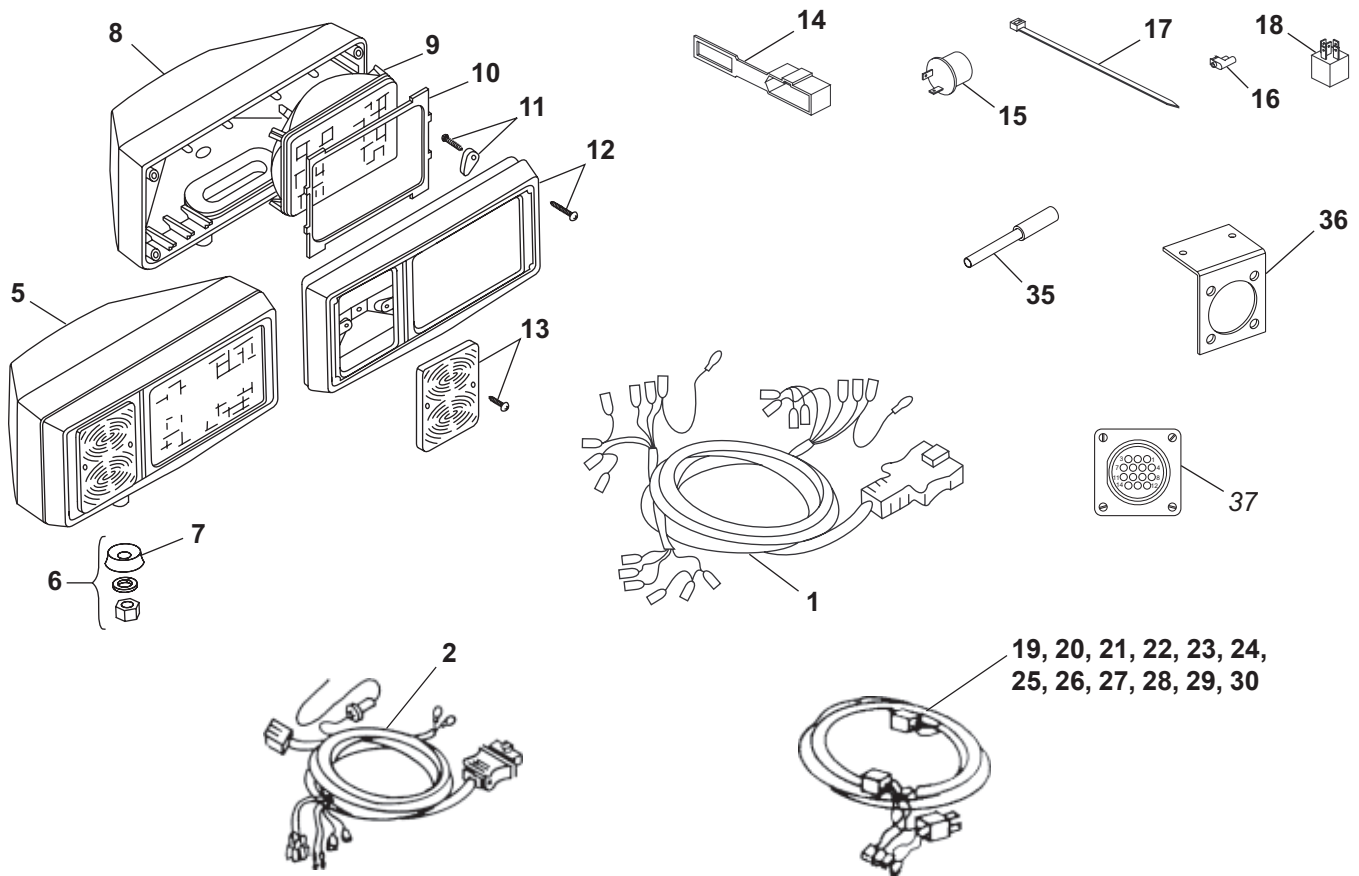
Parts furnished in the hydraulics box and installed on the vehicle are shown in the mount box instructions.

Indented parts are included in the assembly under which they are listed. Quantities shown are included with the assembly.

For a list of abbreviations see page 4.

MVP® SNOWPLOW ASSEMBLY PARTS LIST

HEADLAMP KIT NO. 66640



19, 20, 21, 22, 23, 24,
25, 26, 27, 28, 29, 30

ITEM	PART NO.	QTY.	DESCRIPTION
1	66611	1	PLOW HARNESS 12-PIN (MVP®)
2	66610	1	VEHICLE HARNESS KIT 12-PIN
*	61543	1	HEADLAMP PAIR (W/O Plow Harness)
*	61541	1	HEADLAMP DS
5	61542	1	HEADLAMP PS
6	49151	1	SWIVEL AND HARDWARE ASSY
7	49012	1	HEADLAMP SWIVEL
8	49298	1	HEADLAMP HOUSING ASSY
			(Fits DS or PS)
9	49297	1	REPLACEMENT SEALED BEAM (2E1)
10	49210	1	HEADLAMP GASKETS (1 Pair)
11	49201	1	RETAINING FINGER & FASTENER
			(4 each)
12	49203	1	BEZEL W/FASTENERS (Fits DS or PS)
13	49202	1	PARK/TURN LENS W/FASTENERS
*	49262	1	PARK/TURN REPLACEMENT SOCKET
**		4	PARK/TURN SIGNAL BULB -
			(Trade Number 1157)
14	61548K	2	PLUG COVER KIT
15	60109	1	FLASHER HD
16	59224	3	BULLET RECEPTACLE CONNECTOR
17	59223	8	CABLE TIE
18	61535K	1	RELAY KIT
†19	26009	1	PLUG-IN HARNESS HB-1(9004) -F
†20	26027	1	PLUG-IN HARNESS HB-5/HB-1 -F
†21	26071	1	PLUG-IN HARNESS HB-3&4 -F
†22	61546	1	PLUG-IN HARNESS 2B/2D
†23	61571	1	PLUG-IN HARNESS HB-1(9004) -A

ITEM	PART NO.	QTY.	DESCRIPTION
†24	61581	1	PLUG-IN HARNESS LF & UF -A
†25	61591	1	PLUG-IN HARNESS HB-5 -A
†26	61716	1	PLUG-IN HARNESS HB-3 & HB-4 -A
†27	62526	1	PLUG-IN HARNESS HB-1(9004) -C
†28	22241	1	PLUG-IN HARNESS KIT 1A & 2A -C
†29	62511	1	PLUG-IN HARNESS LG -A
†30	63413	1	PLUG-IN HARNESS HB-5 -G
35	66767	1	PIN REMOVAL TOOL ASSY
36	66634	1	BRACKET V-PLOW VEHICLE HARNESS
37	56497	1	CONNECTOR HSG, 14 PIN
*	22123	1	SIGNAL CONTACT, PACKAGE OF 10

Parts listed above may be found in one of these assemblies.

- * 66639 1 CARTON ASSY LOOSE PARTS
- * 66641 1 BOLT BAG ASSY LARGE
- * 66404 1 BOLT BAG SMALL (All parts in this bag are used on the vehicle installation.)

* Not Shown.

** Not a service part.

† Item not part of the headlight kit 66640. Must be ordered separately according to vehicle application.

Parts furnished in the hydraulics box, and installed on the vehicle, are shown in the mount box instructions.

Indented parts are included in the assembly under which they are listed. Quantities shown are included with the assembly.

For a list of abbreviations, see page 4.



WESTERN PRODUCTS
P.O. BOX 245038
MILWAUKEE, WI 53224-9538



A DIVISION OF DOUGLAS DYNAMICS, L.L.C.

Copyright© 2004 Douglas Dynamics, L.L.C. All rights reserved. This material may not be reproduced or copied, in whole or in part, in any printed, mechanical, electronic, film or other distribution and storage media, without the written consent of Western Products. Authorization to photocopy items for internal or personal use by Western Products outlets or snowplow owner is granted.

Western Products reserves the right under its product improvement policy to change construction or design details and furnish equipment when so altered without reference to illustrations or specifications used. Western Products and the vehicle manufacturer may require and/or recommend optional equipment for snow removal. Do not exceed vehicle ratings with a snowplow. Western Products offers a limited warranty for all snowplows and accessories. See separately printed page for this important information. The following are registered (®) trademarks of Douglas Dynamics, L.L.C.: FloStat®, MVP®, UniMount®, and WESTERN®.