

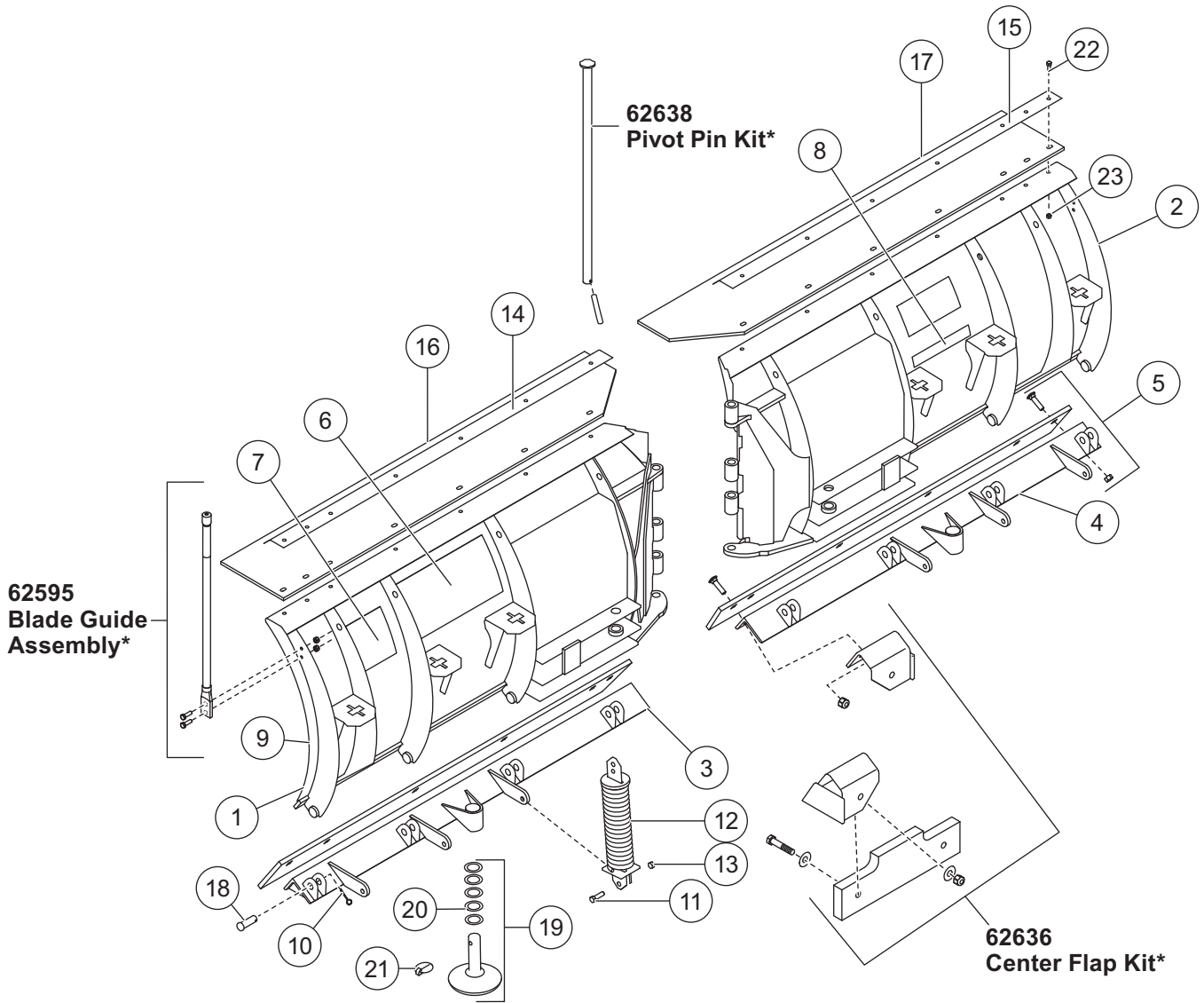


MVP[®] Snowplow
Blade Assembly 63808, 63819
Rear T-Frame & Lift Assembly 56810
Parts List



MVP® BLADE 63808, 63819

Blade Components



* Packed with lift frame assembly.
See Parts List, page 5.

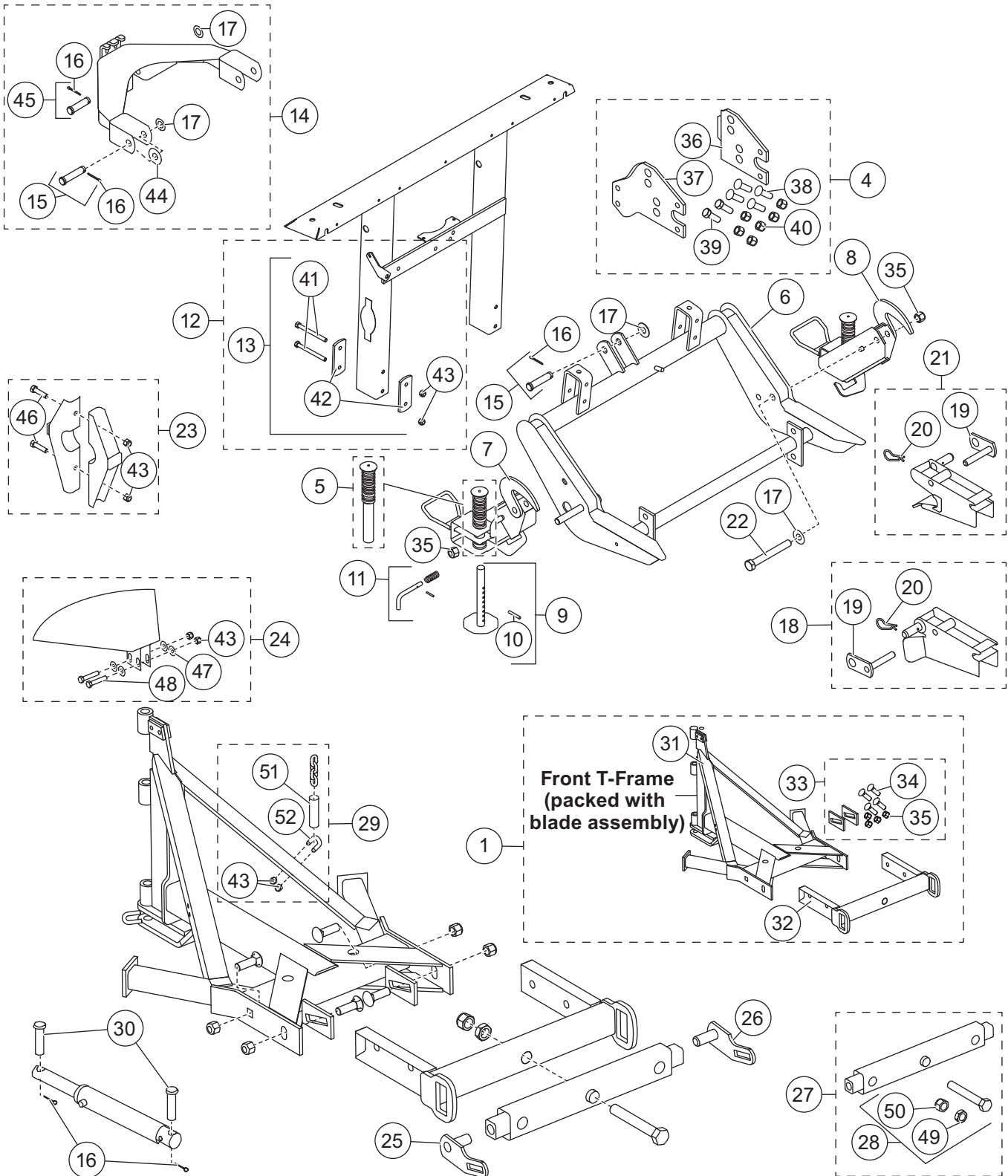
MVP® BLADE 63808, 63819

MVP Blade Components										
Item	Part	Qty		Description		Item	Part	Qty		Description
		8'6"	9'6"					8'6"	9'6"	
1	62652	1		Wing – DS 8'6"	Includes trip springs	10	91911K	8	8	5/32 x 1-1/2 Cotter Pin
	63658		1	Wing – DS 9'6"		11	91000	4	6	7/16-14 x 1/2 x 1-5/8 Shoulder Bolt
2	62645	1		Wing – PS 8'6"		12	21452	4	6	Removable Spring Assembly
	63959		1	Wing – PS 9'6"		13	90353	4	6	7/16-14 Hex Locknut GB
3	64029	1		Base Angle – DS 8'6"		14	21618	2		Bolting Bar – 8'6"
	63960		1	Base Angle – DS 9'6"			26983		1	Bolting Bar – DS 9'6"
4	64030	1		Base Angle – PS 8'6"		15	26984		1	Bolting Bar – PS 9'6"
	63961		1	Base Angle – PS 9'6"		16	62614	1		Rubber Deflector w/Logo – DS 8'6"
5	21608	2		3/8 Cutting Edge Kit – 8'6" Single			63664		1	Rubber Deflector w/Logo – DS 9'6"
	28407†	2		1/2 Cutting Edge Kit – 8'6" Single		17	62613	1		Rubber Deflector – PS 8'6"
	63678		2	1/2 Cutting Edge Kit – 9'6" Single			26586		1	Rubber Deflector – PS 9'6"
	64213	1		3/8 Cutting Edge/Center Flap Kit 8'6"		18	5523	8	8	3/4 x 2-3/16 Machine Pin
	28409†	1		1/2 Cutting Edge/Center Flap Kit 8'6"		19	62637	2	2	Disc Shoe Assembly
	66420		1	Cutting Edge/Center Flap Kit – 9'6"		20	91192	5	5	Round Flat Washer – Special
6	67796	1	1	Label – UltraMount® Attach/Detach		21	93010K	1	1	7/16 x 1-3/4 Linchpin
7	59900	1	1	Label – Warning/Caution, Snowplows		22	68494	10	14	5/16-18 x 1 Hex Cap Screw G5
8	28404	1	1	Label – Logo, ULTRAFINISH™		23	91332	10	14	5/16-18 Hex Locknut GB
9	43899	1	1	Label – Logo, CONTRACTOR GRADE®		ns	63740	1	1	Front T-Frame
						ns	28548	1	1	Blade Label Kit, UltraMount
ns = not shown										
G = Grade										

† Accessory only.

MVP® CENTER ASSEMBLY 56810

T-Frame and Lift Assembly Components

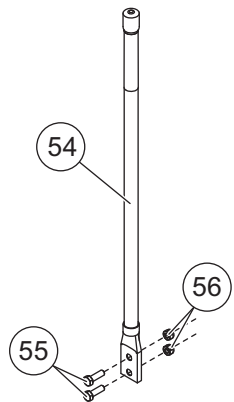
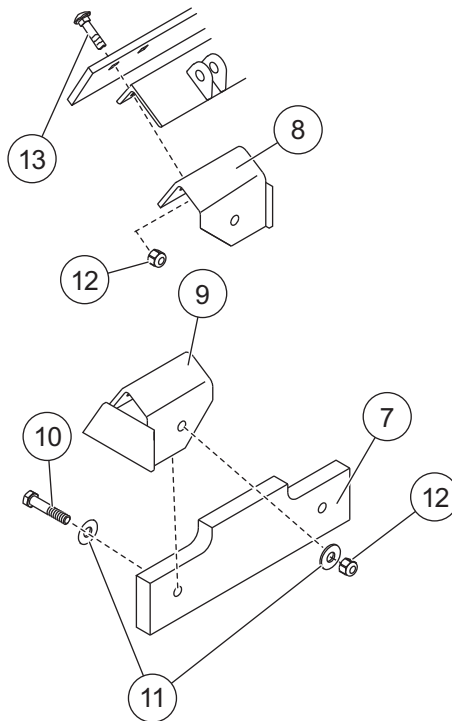
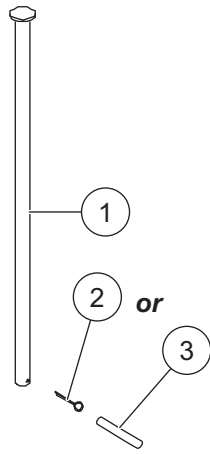


MVP® CENTER ASSEMBLY 56810

T-Frame and Lift Assembly Components							
Item	Part	Qty	Description	Item	Part	Qty	Description
1	64036	1	T-Frame Service Kit	18	76722	1	Receiver Kit – DS
2	91338	6	3/4-10 Hex Locknut GB	19	67665	2	Receiver Pin
3	64037	1	Locking Plate Kit	20	91965K-1	2	5/32 Hairpin Cotter
4	67843	1	Pivot Plate Service Kit	21	76718	1	Receiver Kit – PS
5	48523	1	Plunger w/ Spring	22	66451	2	3/4-10 x 6 Hex Cap Screw G5
6	67556-2	1	Lower Lift Frame	23	64031	2	Stacking Stop Kit
7	72618	1	Stand Assembly – DS	24	63952	1	Center Deflector Assembly
8	72617	1	Stand Assembly – PS	25	67974	1	Pivot Pin – DS
9	67847	2	Stand Shoe Kit	26	67977	1	Pivot Pin – PS
10	67635	2	1/4 x 2 Roll Pin	27	67842-1	1	Pivot Bar Kit
11	67844	2	Stand Lock Pin Kit	28	67855	1	Pivot Bolt Kit
12	67853-1	1	Upper Lift Frame Kit	29	49033	2	Chain Assembly
13	67939-1	1	Bolt Bag – Service Kit 67853-1	30	93077K	4	1 x 4 Rivet
14	67850-2	1	Lift Arm Kit	ns	62595	1	Blade Guide Assembly
15	93063K	3	3/4 x 3-1/4 Clevis Pin Kit	ns	62636	1	Center Flap Kit
16	91911	6	5/32 x 1-1/2 Cotter Pin	ns	62638	1	Pivot Pin Kit
17	91147	5	3/4 Flat Washer				
Item 1				64036 T-Frame Service Kit			
31	63740	1	Front T-Frame	33	64037	1	Locking Plate Kit
32	63745	1	Rear T-Frame				
Item 3				64037 Locking Plate Kit			
		2	Locking Plate	35	91338	4	3/4-10 Hex Locknut GB
34	63913	4	3/4-10 x 2-1/2 Carriage Bolt				
Item 4				67843 Pivot Plate Service Kit			
36	67707	1	Pivot Plate A	39	90127	2	5/8-11 x 1-1/2 Hex Cap Screw G5
37	67708	1	Pivot Plate B	40	91337	6	5/8-11 Hex Locknut GB
38	5572	4	5/8-11 x 2 Carriage Bolt G5				
Item 12				67853-1 Upper Lift Frame Kit			
		1	Upper Lift Frame	13	67939-1	1	Bolt Bag
Item 13				67939-1 Bolt Bag – Service Kit 67853-1			
41		4	3/8-16 x 4 Hex Cap Screw G8	43	91333	4	3/8-16 Hex Locknut GB
42		4	Plate – Upper Lift Frame				
Item 14				67850-2 Lift Arm Kit			
		1	Lift Arm	16	91911	3	5/32 x 1-1/2 Cotter Pin
44	67727	2	Round Flat Washer – Special	17	91147	3	3/4 Flat Washer
15	93063K	2	3/4 x 3-1/4 Clevis Pin Kit	45	64617	1	3/4 x 3 Clevis Pin Kit
Item 23				64031 Stacking Stop Kit			
		2	Stacking Stop	46	66439	2	3/8-16 x 1-1/2 Hex Cap Screw G5
43	91333	2	3/8-16 Hex Locknut GB				
Item 24				63952 Center Deflector Assembly			
		1	Center Deflector	43	91333	2	3/8-16 Hex Locknut GB
47	90315	4	3/8 Flat Washer	48	90043	2	3/8-16 x 2 Hex Cap Screw G5
Item 27				67842-1 Pivot Bar Kit			
		1	Pivot Bar	28	67855	1	Pivot Bolt Kit
Item 28				67855 Pivot Bolt Kit			
		1	1-8 x 7 Hex Cap Screw G5	50	91340	1	1-8 Hex Locknut GB
49	67748	1	1-8 Hex Jam Nut G5				
Item 29				49033 Chain Assembly			
		2	Chain	51	65508	2	Plastic Tube
43	91333	4	3/8-16 Hex Locknut GB	52	90453	2	3/8-16 x 1-1/2 U-Bolt G5
ns = not shown				G = Grade			

MVP® SNOWPLOW BLADE SERVICE KITS

Blade Service Kit Diagram



MVP® SNOWPLOW BLADE SERVICE KITS

62638 Pivot Pin Kit							
Item	Part	Qty	Description	Item	Part	Qty	Description
1		1	Pivot Pin	3	26463	1	1/4 x 2 Slotted Spring Pin
*Earlier models may require:							
2	91911	1	5/32 x 1-1/2 Cotter Pin				
62595 Blade Guide Assembly							
4	62578	2	Blade Guide Poly 24" w/Label	ns	63290	1	Bolt Bag Assembly – 62595
63290 Bolt Bag Assembly – 62595							
5	68494	4	5/16-18 x 1 Hex Cap Screw G5	6	91332	4	5/16-18 Hex Locknut GB
62636 Center Flap Kit							
7	63508	1	Rubber Flap	11	91105	4	1/2 Flat Washer
8	63509	1	Mounting Plate – PS	12	91335	6	1/2-13 Hex Locknut GB
9	63510	1	Mounting Plate – DS	13	90238	4	1/2-13 x 1-3/4 Carriage Bolt G8
10	90104	2	1/2-13 x 2-1/2 Hex Cap Screw G5				
ns = not shown				G = Grade			



Western Products
PO Box 245038
Milwaukee, WI 53224-9538
www.westernplows.com

 A DIVISION OF DOUGLAS DYNAMICS, LLC

Copyright © 2020 Douglas Dynamics, LLC. All rights reserved. This material may not be reproduced or copied, in whole or in part, in any printed, mechanical, electronic, film, or other distribution and storage media, without the written consent of Western Products. Authorization to photocopy items for internal or personal use by Western Products outlets or snowplow owner is granted.

Western Products reserves the right under its product improvement policy to change construction or design details and furnish equipment when so altered without reference to illustrations or specifications used. Western Products or the vehicle manufacturer may require or recommend optional equipment for snow removal. Do not exceed vehicle ratings with a snowplow. Western Products offers a limited warranty for all snowplows and accessories. See separately printed page for this important information. The following are registered (®) or unregistered (™) trademarks of Douglas Dynamics, LLC: CONTRACTOR GRADE®, MVP®, ULTRAFINISH™, UltraMount®, WESTERN®.

Printed in U.S.A.