

September 1, 2012
Lit. No. 64314, Rev. 09



Service Parts for Straight Blades

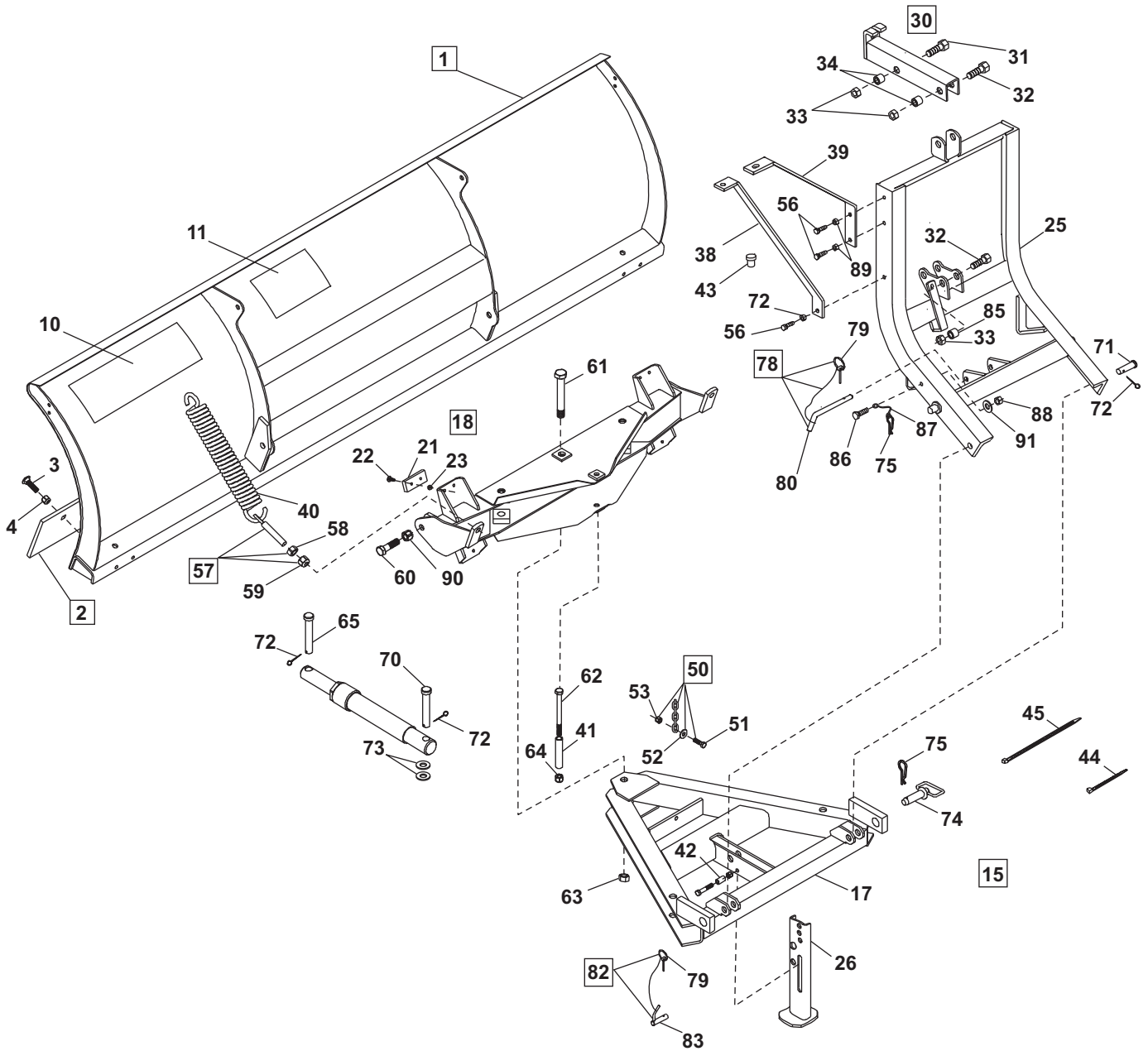
AQ&L Assemblies
Hydraulic Assemblies
With Isolation Module Electrical System

TABLE OF CONTENTS

LSX Snowplow Parts Diagram	4
LSX Snowplow Parts List	5
Sport/Utility Snowplow Parts Diagram	7
Sport/Utility Snowplow Parts List	8
HEAVYWEIGHT Snowplow Parts Diagram	9
HEAVYWEIGHT Snowplow Parts List	10
Solenoid ISARMATIC® Mark IIIA Parts Diagram	11
Solenoid ISARMATIC Mark IIIA Parts List	12
Motor Manufacturer Identification and Service Parts	13
Ram, Hoses and Fittings Parts Lists and Diagrams	13
Electrical Components Parts List and Diagram	14
Blade Component Parts List and Diagram	14
Harness Parts List and Diagram	15

PARTS LIST

LSX Snowplow Parts Diagram



PARTS LIST

LSX Snowplow Parts List

ITEM	PART NO.	QTY.	DESCRIPTION
1	63472	1	BLADE ASSY - 72" LSX
2	63541	1	CUTTING EDGE ASSY 7'-2"
3	90238	8	1/2-13 X 1-3/4 CB G8 BPO
4	91335	8	1/2-13 PT HX LK NUT NYIS ZYC
10	61740	1	LABEL - INFORMATION
11	59900	1	LABEL - INFORMATION (WARNING)
15	-	1	A, Q, & L ASSY U LSX
17	63546	1	A-FRAME
18	63547	1	QUADRANT LSX SERVICE KIT
NS	63976	4	BUMPER KIT
25	61903	1	LIFT FRAME U S
26	61353	1	STAND
30	49277	1	LIFT CHANNEL KIT
31	63207	1	3/4-10 X 3-1/4 HX CS G5 ZYC SPL
32	63208	1	3/4-10 X 3-3/4 HX CS G5 ZYC SPL
32	63208	1	3/4-10 X 3-3/4 HX CS G5 ZYC SPL
33	91339	2	3/4-10 PT HX JAM LK NUT NYIS ZYC
33	91339	1	3/4-10 PT HX JAM LK NUT NYIS ZYC
34	63211	2	SPACER .758 ID X 1.0 OD X .5 LG
38	63533	2	LIGHT BRACKET - BOTTOM
39	63532	2	LIGHT BRACKET - TOP
40	23039	2	TRIP SPRING
41	63553	1	BUSHING - STOP
42	61487	1	SPACER .56 OD X .39 ID X .965 LG
43	61482	2	VINYL CAP 1/2 X 1/2
44	59223	4	CABLE TIE
45	61536	3	CABLE TIE - LONG
50	49033	1	REPLACEMENT GRADE 43 CHAIN ASSY
51	66456	1	3/8-16 X 1-1/4 HX CS G5 ZYC
52	91337	1	3/8 PLAIN WASHER TY A SAE ZYC
53	91333	1	3/8-16 PT HX LK NUT NYIS ZYC
56	66456	6	3/8-16 X 1-1/4 HX CS G5 ZYC
57	90490K	2	EYEBOLT KIT
58	91416	1	5/8-11 HX NUT ZYC
59	91337	1	5/8-11 PT HX LK NUT NYIS ZYC
60	90131	2	5/8-11 X 2-1/2 HX CS G5 ZYC
61	63558	1	3/4-10 X 5-1/4 HX CS G5 ZYC SPL (Pivot Bdt)
62	91034	1	1/2-13 X 5-1/2 HX CS G5 ZYC (Stop Bolt)
63	91339	1	3/4-10 PT HX JAM LK NUT NYIS ZYC
64	91335	1	1/2-13 PT HX LK NUT NYIS ZYC
65	63557	2	CLEVIS PIN 3/4" X 4-3/8" HT ZYC
70	93062	2	CLEVIS PIN 3/4" X 3-1/4" HT ZYC
71	93040	2	PIN CLEVIS 5/8 X 2.25 STEEL ZYC
72	91911	6	5/32 X 1-1/2 COTTER PIN ZYC
73	91147	4	PLAIN WASHER TY A SAE ZYC
74	93036	2	1 X 3-1/2 HITCH PIN ZYC U
75	91965	4	HAIRPIN COTTER 5/32"
78	63585	1	STAND PIN ASSY
79	93042K	1	3/16 LINCH PIN ZYC
80	93033K	1	PIN 1/2 X 5.5
82	63586	1	LOCK PIN ASSY
79	93042K	1	3/16 LINCH PIN ZYC
83	93034K	1	STAND LOCK PIN 5/8 X 2.3
85	63212	1	SPACER .758 ID X 1.0 OD X .69 LG
86	63571	2	1/4-20 X 3/4 WLF SCREW ZYC
87	63563	2	LANYARD .05 X 6
88	91331	2	1/4-20 PT HX LK NUT NYIS ZYC
89	91333	6	3/8-16 PT HX LK NUT NYIS ZYC
90	91337	2	5/8-11 PT HX LK NUT NYIS ZYC
91	90311	2	1/4 FLAT WASHER

Parts listed above may be found in one of the following:
 63467 1 PARTS BAG ASSY (63470)
 61579 1 BOLT BAG (A,Q&L COMMON)

SERVICE PARTS KITS

ITEM	PART NO.	QTY.	DESCRIPTION
NS	63542	1	STOP BUSHING KIT
41	63553	1	BUSHING - STOP
62	90111	1	1/2-13 X 5-1/2 HX CS G5 ZYC
64	91335	1	1/2-13 PT HX LK NUT NYIS ZYC
NS	63976	4	PUSH STOP KIT
21	-	1	BUMPER
22	-	2	1/4-20 X 3/4 SB FLG HD CS BPO
23	-	2	1/4-20 PT HX JAM LK NUT ZYC
NS	63544	1	PIVOT BOLT KIT
61	63558	1	3/4-10 X 5-1/4 HX CS G5 ZYC SPL
63	91339	1	3/4-10 PT HX JAM LK NUT NYIS ZYC
NS	63545	2	CLEVIS PIN KIT
65	63557	1	CLEVIS PIN 3/4" X 4-3/8" HT ZYC
72	91911	1	5/32 X 1-1/2 COTTER PIN ZYC
NS	93062K	2	CLEVIS PIN KIT
70	93062	1	CLEVIS PIN 3/4" X 3-1/4" HT ZYC
72	91911	1	5/32 X 1-1/2 COTTER PIN ZYC
NS	93040K	2	CLEVIS PIN KIT
71	93040	1	PIN CLEVIS 5/8 X 2.25 STEEL ZYC
72	91911	1	5/32 X 1-1/2 COTTER PIN ZYC

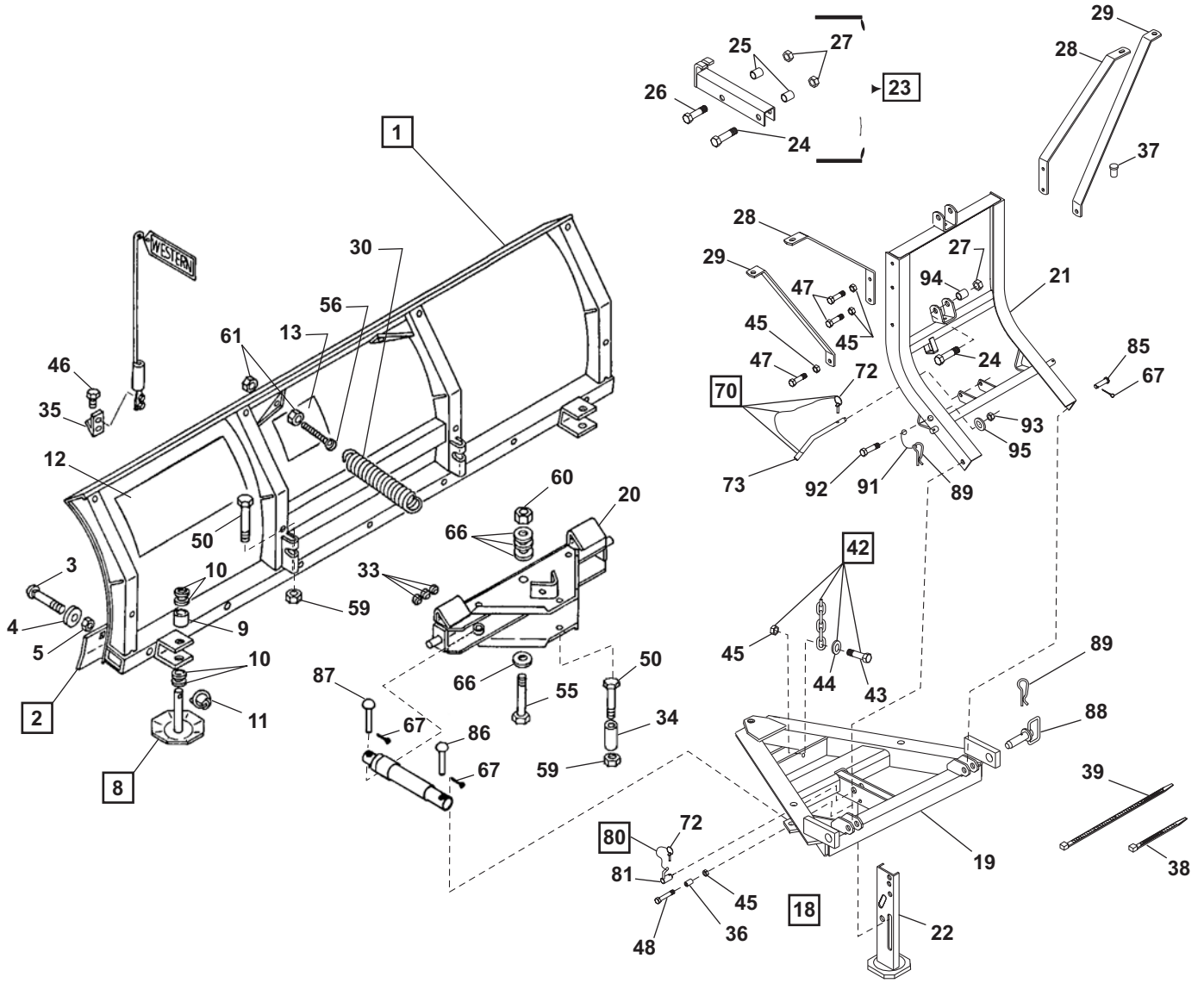
Indented parts are included in the assembly under which they are listed. Quantities shown are included with the assembly.

Abbreviations

AD	Adapter	NYIS	Nylon Insert
A,Q,&L	A-Frame, Quadrant & Lift Frame	OD	Outside Diameter
ASSY	Assembly	P	PRO-PLOW
BP	Black Phosphate	PC	Printed Circuit
BPO	Black Phosphate & Oil	PH	Phillips Head
BRG	Bearing	PN	Pan
BZP	Black Zinc Phosphate	PR	Prestolite
C	Compact Plow	PS	Passenger Side
CB	Carriage Bolt	PT	Prevailing Torque
CS	Cap Screw	PY	PRO-PLOW Poly
CU	Curb Side	S	Standard Plow
DIA	Diameter	SAE	Society of Automotive Engineers
DR	Driver Side	SB	Slow Blow (Fuse)
DS	Driver Side	SL	Slotted
EA	Each	SO	Socket Head
FLG	Flange	SOL	Solenoid
FT	Feet	SP	Spring
G	Grade	SPDT	Single Pole Double Throw
HD	Heavy Duty	SPL	Special
HSG	Housing	SQ	Square
HT	Heat Treated	STD	Standard
HX	Hex	SU	Sport/Utility Plow
HXW	Hex Washer	SY	Standard Plow Poly
TFTS	Thread Forming Tapping Screw	SYS	System
ID	Inside Diameter	TCTS	Thread Cutting Tapping Screw
TRTS	Thread Rolling Tapping Screw	TP	Tri-Plow
LG	Long	TY	Type
LK	Lock	U	UniMount® System
NPSM	American Standard Straight Pipe Threads for Mechanical Joints	W/	With
		W/O	Without
NS	Not Shown	WLF	Whiz-Lock Flange
NPTF	National Pipe Thread (Fluid)	ZYC	Zinc Yellow Chromate

PARTS LIST

Sport/Utility Snowplow Parts Diagram



PARTS LIST

Sport/Utility Snowplow Parts List

ITEM	PART NO.	QTY.	DESCRIPTION	ITEM	PART NO.	QTY.	DESCRIPTION
1	-	1	6-1/2 FT. BLADE ASSY SU	85	.93040	2	PIN, CLEVIS 5/8 X 2.25 STEEL ZYC
2	.49264	1	CUTTING EDGE ASSY - 6-1/2' SU	86	.93063K	2	RIVET 3/4" X 3-1/2"
3	.. 90229	7	7/16-14X3-1/2 CB G5 ZYC	87	.93061K	2	RIVET 3/4" X 4-1/8" G5 ZYC
4	.. 91104	7	7/16 PLAIN WASHER TY A STD ZYC	88	.93028K	2	HITCH PIN 1" X 3-1/2"
5	.. 91334	7	7/16-14 PT HX LK NUT NYIS ZYC	89	.91965K	4	HAIRPIN COTTER 5/32"
8	.49266	2	DISC SHOE ASSY SU	91	.63563	2	LANYARD .05 X 6
9	.. 60045	1	SPACER	92	.63571	2	1/4-20 X 3/4" WLF SCREW ZYC
10	.. 91192	13	FLAT WASHER - SPECIAL ZYC	93	.91331	2	1/4-20 PT HX LK NUT NYIS ZYC
11	.. 93010K	1	LINCH PIN 7/16" X 1-3/4"	94	.63212	1	SPACER .758 ID X 1.0 OD X .69 LG
12	.61740	1	LABEL - INFORMATION (Link Arm Style)	95	.90311	2	1/4 FLAT WASHER
13	.59900	1	LABEL - INFORMATION (WARNING)				
18	-	1	A,Q & L ASSY U SU				
19	.61896	1	A-FRAME U SU (Link Arm Style)				
20	.61270	1	QUADRANT SU				
21	.61903	1	LIFT FRAME U S (Link Arm Style)				
22	.61353	1	STAND				
23	.49277	1	LIFT CHANNEL KIT U				
24	.. 63208	1	3/4-10X3-3/4 HX CS G5 ZYC SPL				
25	.. 63211	2	SPACER .758 ID X 1.0 OD X .5 LG				
26	.. 63207	1	3/4X3-1/4 HX CS G5 ZYC SPL				
27	.. 91339	2	3/4-10 PT HX JAM LK NUT NYIS ZYC				
28	.63532	2	LIGHT BRACKET TOP				
29	.63533	2	LIGHT BRACKET BOTTOM				
30	.23039	2	TRIP SPRING				
33	.61095	6	BUMPER - NO. FLX-750 1.0 DIA				
34	.63215	1	BUSHING - STOP				
35	.61287	2	BLADE GUIDE BRACKET				
36	.61487	1	SPACER .56 OD X .39 ID X .965 LG				
37	.61482	2	VINYL CAP 1/2 X 1/2				
38	.59223	4	CABLE TIE				
39	.61536	3	CABLE TIE - LONG				
42	.49033	1	REPLACEMENT GRADE 43 CHAIN ASSY				
43	.. 66439	1	3/8-16X1-1/2 HX CS G5 ZYC				
44	.. 63925	1	3/8 FLAT WASHER TY A NAR				
45	.. 91333	1	3/8-16 PT HX LK NUT NYIS ZYC				
46	.63939	2	5/16-18X1 HX FLG SCREW G5 ZYC				
47	.90040	6	3/8-16X1-1/4 HX CS G5 ZYC				
48	.90043	1	3/8-16X2 HX CS G5 ZYC				
50	.90110	3	1/2-13X5 HX CS G5 ZYC				
24	.63208	1	3/4-10X3-3/4 HX CS G5 ZYC				
55	.66451	1	3/4-10X6 HX CS G5 ZYC				
61	.. 91416	2	5/8-11 HX NUT ZYC				
56	.90490K	2	5/8-11X4 EYEBOLT G2 ZYC				
45	.91333	7	3/8-16 PT HX LK NUT NYIS ZYC				
59	.91335	3	1/2-13 PT HX LK NUT NYIS ZYC				
60	.91338	1	3/4-10 PT HX LK NUT NYIS ZYC				
27	.91339	1	3/4-10 PT HX JAM LK NUT NYIS ZYC				
66	.91147	4	3/4 PLAIN WASHER TY A SAE ZYC				
67	.91911	6	5/32X1-1/2 COTTER PIN ZYC				
70	.63585	1	STAND PIN ASSY				
72	.. 93042K	1	LINCH PIN ASSY 3/16"				
73	.. 93033K	1	PIN 1/2" X 5.5"				
80	.63586	1	LOCK PIN ASSY				
81	.. 93034K	1	STAND LOCK PIN 5/8" X 2"				
72	.. 93042K	1	LINCH PIN ASSY 3/16"				

Parts listed above may be found in one of the following:

.61929	1	PARTS BAG ASSY (61930)
.61579	1	BOLT BAG (A, Q & L COMMON)

Service Parts Kit

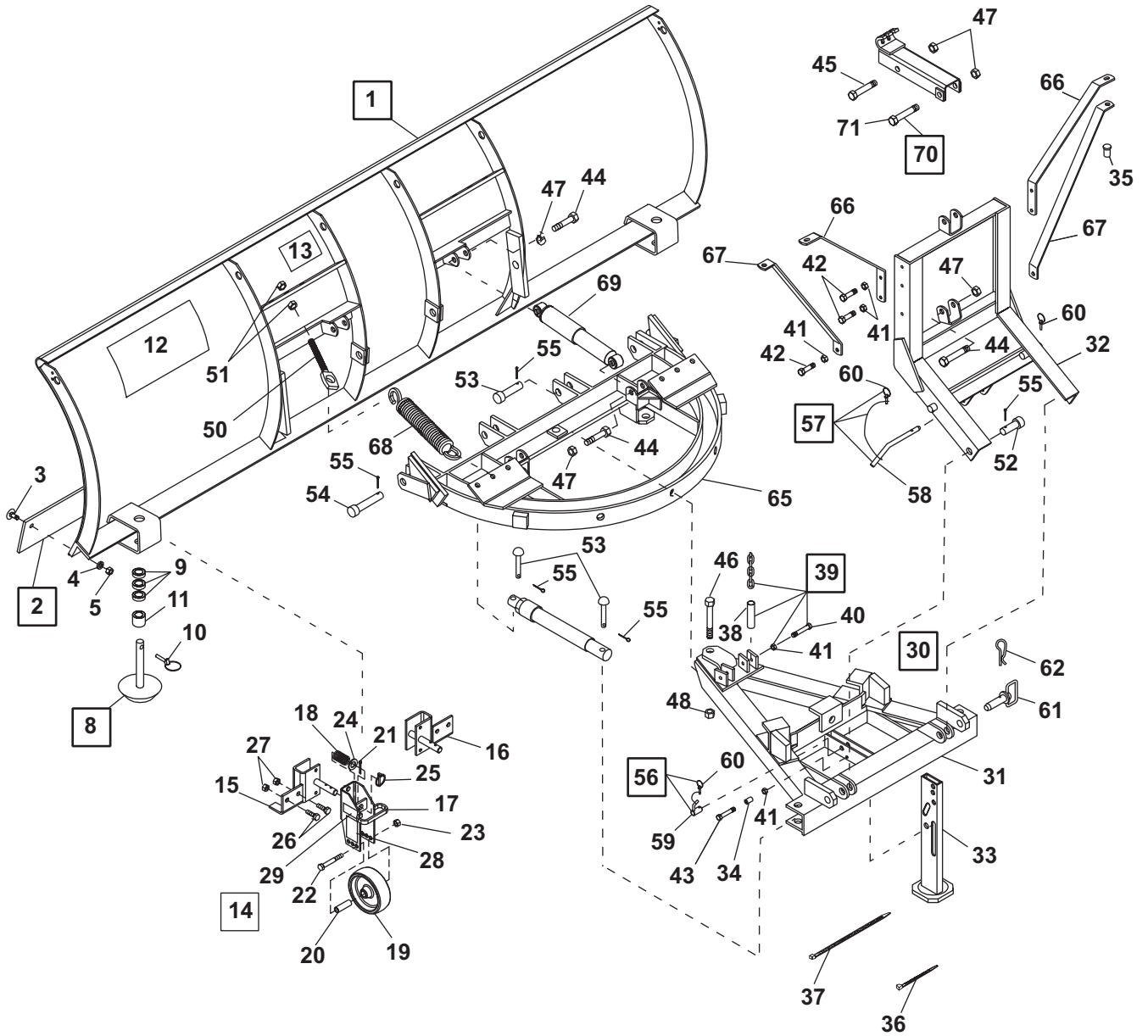
61941K	1	UniMount [®] RETAINER PINKIT (Includes items 72 & 89, quantities as shown.)
--------	---	---

Indented parts are included in the assembly under which they are listed. Quantities shown are included with the assembly.

For a list of abbreviations, see page 5.

PARTS LIST

HEAVYWEIGHT Snowplow Parts Diagram



PARTS LIST

HEAVYWEIGHT Snowplow Parts List

ITEM	PART NO.	QTY.	DESCRIPTION	ITEM	PART NO.	QTY.	DESCRIPTION
	62301	1	9.0' BLADE ASSY 62890 & 62425	39	49263	1	REPLACEMENT GRADE 43 CHAIN ASSY UHW HW
	62302	1	10.0' BLADE ASSY 62891 & 62425	40	90063	2	3/8-16X3 HX CS G8 ZYC
1	62890	1	9 FT BLADE ASSY UHW	41	91333	2	3/8-16 PT HX LK NUT NYIS ZYC
	62891	1	10 FT BLADE ASSY UHW		91333	7	3/8-16 PT HX LK NUT NYIS ZYC
2	58817	1	CUTTING EDGE ASSY 9' UHW HW	42	90040	6	3/8-16X1-1/4 HX CS G5 ZYC
	58818	1	CUTTING EDGE ASSY 10' UHW HW	43	90043	1	3/8-16X2 HX CS G5 ZYC
	43240	1	BOLT BAG 12 PIECE	44	90159	5	3/4-10X3-1/2 HX CS G5 ZYC
3	-	12	5/8-11X2-1/2 CARRIAGE BOLT G5	45	90161	1	3/4-10X4 HX CS G5 ZYC
5	-	12	5/8-11 HX LK NUT GB	46	90176	1	1-8X4 HX CS G2 ZYC
8	49071	2	HD DISC SHOE ASSY P TP S	47	91338	7	3/4-10 PT HX LK NUT NYIS ZYC
9	91109	52	WASHER - SPECIAL ZYC	48	91340	1	1-8 PT HX LK NUT NYIS ZYC
10	93010K	2	LINCH PIN 7/16" X 1-3/4"	50	90493K	6	EYEBOLT W/2 #91416 NUTS
11	60045	2	SPACER	51	91416	2	5/8-11 HX NUT ZYC
12	61740	1	LABEL INFORMATION (Link Arm Style)	52	93072	2	1 X 2-5/16 RIVET G5 ZYC
13	59900	1	LABEL INFORMATION (WARNING)	53	93077K	6	RIVET 1" X 4"
14	62425	1	DOLLY WHEEL ASSY, P PY HW	54	93080	2	1X5 RIVET G5 ZYC
15	62432	1	SUPPORT DR, P PY HW	55	91911	10	5/32 X 1-1/2 COTTER PIN ZYC
16	62433	1	SUPPORT CU, P PY HW	56	63586	1	STANDLOCK PIN ASSY
17	62429	2	YOKE	59	93034K	1	STANDLOCK PIN
18	62423	2	SPRING 1-1/8 X 2	60	93042K	1	LINCH PIN 3/16"
19	62421	2	WHEEL 6X2	57	63585	1	STAND PIN ASSY
20	62424	2	SPACER	58	93033K	1	PIN 1/2" X 5.5"
21	91911	2	5/32X1-1/2 COTTER PIN ZYC	60	93042K	4	LINCH PIN 3/16"
22	90610	2	1/2-13X3-1/2 HX CS G5 ZYC	60	93042K	2	LINCH PIN 3/16"
23	91335	2	1/2-13 PT HX LK NUT NYIS ZYC	61	93028K	2	HITCH PIN 1" X 3-1/2"
24	91147	2	3/4 PLAIN WASHER TY A SAE ZYC	62	91965K	2	HAIRPIN COTTER 5/32"
25	93042	2	3/16 LINCH PIN ZYC		62299-1	1	A, Q & L ASSY UHW (BOX 2 OF 2)
26	90210	4	1/2-13PX1-1/2 HX CS G5 ZYC	65	62190	1	QUADRANT UHW
27	91335	4	1/2-13 PT HX LK NUT NYIS ZYC	66	63532	2	LIGHT BRACKET TOP
28	62437	2	LABEL - INFORMATION (INSTRUCTIONS)	67	63533	2	LIGHT BRACKET BOTTOM
29	62447	4	LABEL - INFORMATION	68	23039	6	TRIP SPRING
30	-	1	A, Q & L ASSY UHW (62298 & 62299)	69	60338	2	SHOCK ABSORBER ASSEMBLY
	62298-1	1	A, Q & L ASSY UHW (BOX 1 OF 2)	70	62154	1	LIFT CHANNEL KIT UHW
31	62170	1	A-FRAME UHW	71	90294	1	3/4-10X4-1/2 HX CS G5 ZYC
32	62185	1	LIFT FRAME UHW				
33	62199	1	STAND UHW				
34	61487	1	SPACER .56 OD X .39 ID X .965 LG				
35	61482	2	VINYL CAP 1/2 X 1/2				
36	59223	5	CABLE TIE				
37	61536	3	CABLE TIE - LONG				
38	65508	1	PLASTIC TUBE				

Parts listed above may be found in the following:

62282 1 PARTS BAG ASSY (62300)

Service Parts Kit

61941K 1 UniMount® RETAINER PIN KIT (Includes 4 each of item 62 and 2 each of item 60)

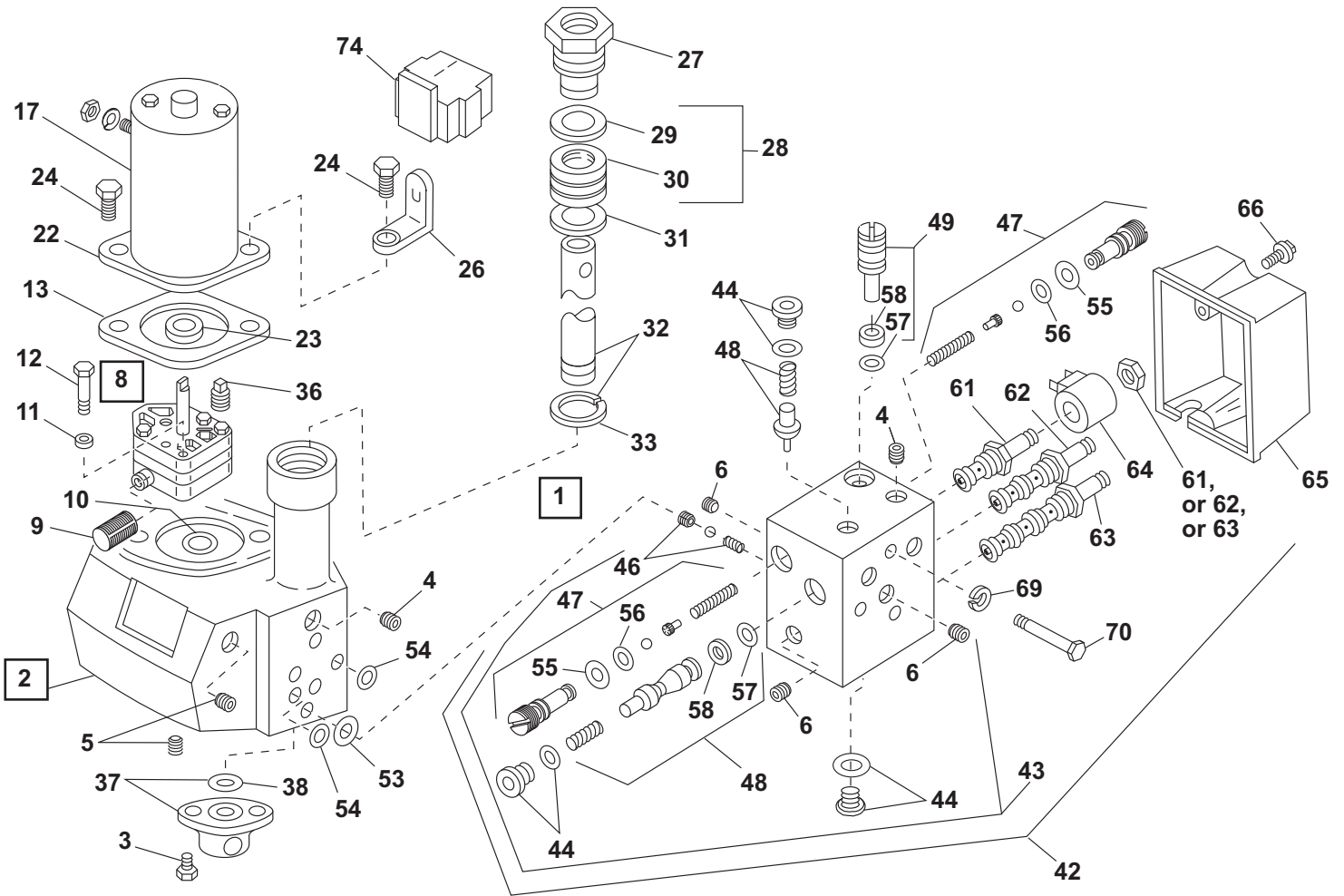
**Cutting Edge Assembly Fasteners:
For 9' - 11 each, For 10' - 12 each.

Indented parts are included in the assembly under which they are listed.
Quantities shown are included with the assembly.

For a list of abbreviations, see page 5.

PARTS LIST

Solenoid ISARMATIC® Mark IIIA Parts Diagram



PARTS LIST

Solenoid ISARMATIC® Mark IIIA Parts List

ITEM	PART NO.	QTY.	DESCRIPTION	ITEM	PART NO.	QTY.	DESCRIPTION
1	49253	1	HYDRAULIC UNIT 1-1/2" SOL 3500 (All plows except Sport Utility)	*48	... 49226K	1	POPPET CHECK VALVE KIT
	49280	1	HYDRAULIC UNIT 1-1/2" SOL 2500 (Sport Utility plow only)	*49	... 56330	1	QUILL ASSY
2	. 49252	1	SERVICE HOUSING KIT 1-1/2" SOL	... 56657-1	1	BACKUP/O-RING KIT - SOL	
3	.. 93166	2	5/16-18X1-1/4 HXW TRTS TY TR-3	*53	... 56274	1	O-RING - 013 } NOT INCLUDED WITH
4	.. 92095	3	PLUG 1/4 NPTF HX SO	*54	... 25730	2	O-RING - 012 } 49224,49265,49278 OR 49279
			THREAD SEAL	*55	... 25731	2	O-RING - 010
8	. 49211	1	HYDRAULIC PUMP KIT	*56	... 55371	2	O-RING - 008
9	.. 56185K	1	SUCTION FILTER	*57	... 25622	2	O-RING - 006
10	.. 56416	1	O-RING - 014	*58	... 56315	2	BACK UP RING - 006 PARBAK SPLIT
11	.. 90311	2	1/4 FLAT WASHER TY A STD ZYC	61	... 49227K-1	1	VALVE SV08 W/JAM NUT
12	.. 90080	2	5/16-18X2-1/2 HX CS G5 ZYC	*	... 49258-1	1	SEAL KIT VALVE SV08
*13	.. 25861	1	GASKET	62	... 49228K-1	1	CARTRIDGE 30 W/JAM NUT
17	. 56133	1	MOTOR ASSY 4-1/2"	63	... 49229K	1	CARTRIDGE 40 W/JAM NUT
			(See next page for motor service parts.)	*	... 49259-1	2	SEAL - KIT CARTRIDGE 30, 33 & 40
22	.. 49084	1	MOTOR FLANGE BRG & SEAL	64	... 49230K-1	3	COIL W/SPADE TERMINALS
*23	... 49014	1	OIL SEAL	65	... 56291	1	COVER ASSY
24	. 90066	2	7/16-14X1-1/4 HX CS G5 ZYC	66	... 90650	2	#8-32X1/2 TORX TCTS TY D ZYC
26	. 56356	1	BOOT BRACKET KIT	69	. 91201	3	1/4 SP LK WASHER ZYC
27	. 25944K	1	PACKING NUT 1-1/2"	70	. 90083	3	1/4-20X3-1/4 HX CS G5 ZYC
28	. 25205K	1	PACKING SET W/WIPER 1-1/2"	74	61246	1	CABLE BOOT
*29	.. 55137	1	WIPER RING - 1-1/2"	76	49340	1	MAJOR OVERHAUL KIT 1-1/2" SOL
*30	.. 55136	1	PACKING SET 1-1/2"				
31	. 338	1	FLAT WASHER - SPECIAL				
32	. 25202	1	PLUNGER KIT 1-1/2 X 6 (Lift Ram Application Only)				
33	.. 48414	1	SPIRAL RETAINER RING 1-1/2"				
36	.. 92079	1	PLUG 3/8 NPTF SQ				
37	. 25968K	1	BASE LUG W/#25618 O-RING				
*38	.. 25618	1	O-RING - 216				
42	. 49265	1	VALVE MANIFOLD ASSY SOL 3500				
43	.. 49224	1	MANIFOLD ASSY SOL 3500 (W/O cartridges)				
42	. 49278	1	VALVE MANIFOLD ASSY SOL 2500				
43	.. 49279	1	MANIFOLD ASSY SOL 2500				
44	... 92960	3	3/8-24 HX SO O-RING BOSS PLUG				
6	... 92071	3	PLUG 1/8 NPTF HX SO STEEL				
4	... 92095	1	PLUG 1/4 NPTF HX SO THREAD SEAL				
46	... 49225	1	INLET CHECK VALVE KIT				
47	49138K	1	CUSHION VALVE REPAIR KIT-SET				

* Items included in Major Overhaul Kit No. 49340.

Indented parts are included in the assembly under which they are listed.
Quantities shown are included with the assembly.

For a list of abbreviations, see page 5.

All snowplows
except
Sport Utility
Sport Utility
snowplow only

PARTS LIST

Motor Manufacturer Identification and Service Parts

Photos show terminal positions and end caps for brand identification.



PART NO.	QTY.	DESCRIPTION
56620	1	BRUSH KIT - BOSCH 2 TERMINAL
21508	2	CS HX 1/4-20 X 6-1/4 G5 ZYC
91201	2	WASHER SP LK 1/4
21535	1	WASHER, FIBER THRUST 5/8 (drive end)

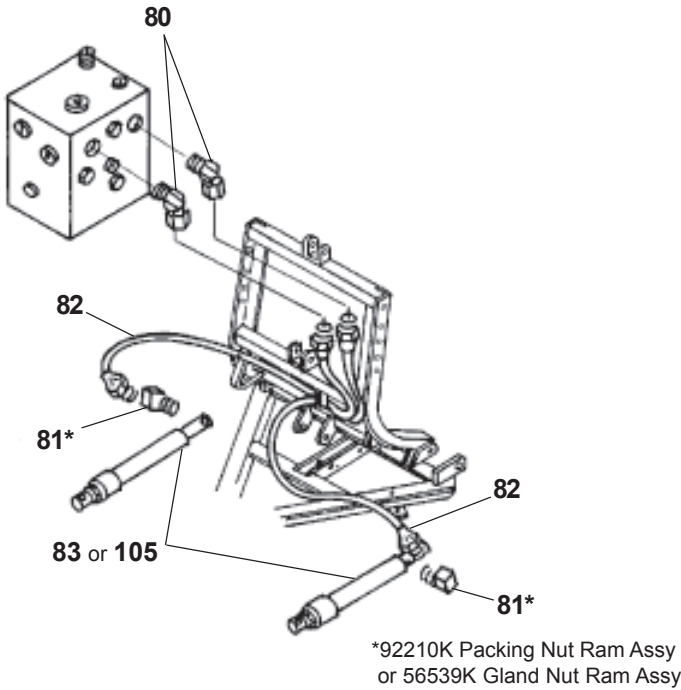


PART NO.	QTY.	DESCRIPTION
56638	1	END CAP W/ O-RING - PRESTOLITE 2 TERMINAL
56621	1	THRU-BOLT KIT - PRESTOLITE 2 TERMINAL (Includes cap screws and special washers.)
56641	1	THRUST WASHER KIT - PRESTOLITE 2 TERMINAL (Includes retaining ring for early production.)

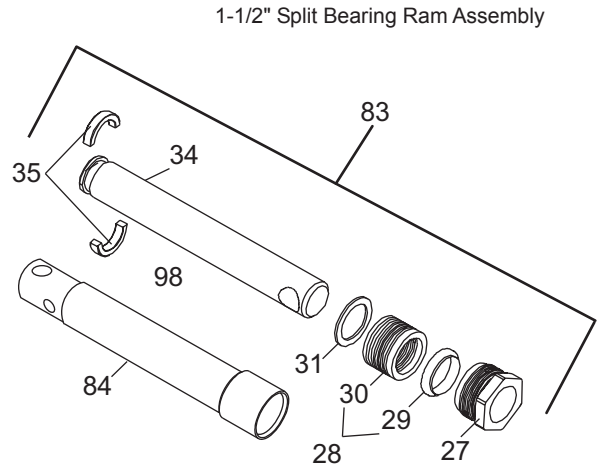
For a list of abbreviations, see page 5.

PARTS LIST

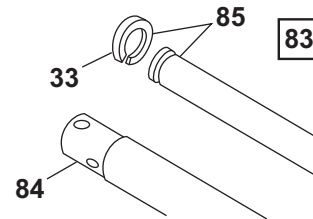
Rams, Hoses and Fittings Parts Lists and Diagrams



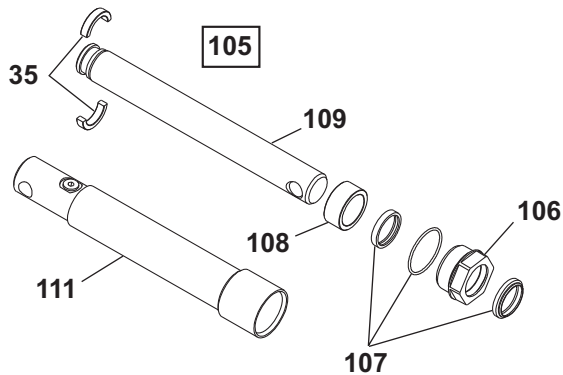
NPTF Port/Packing Nut Ram Assemblies



2" Retainer Ring Ram Assembly



SAE O-Ring Port/Gland Nut Ram Assembly



SAE O-Ring Port/Gland Nut Ram Assy

ITEM	PART NO.	QTY.	DESCRIPTION
81	56539K	2	ELBOW, 90F -6 O-RING/1/4" NPTF (for LSX)
105	56538K	2	RAM ASSY 1-1/2" X 8"
106	.56555	1	GLAND NUT POLYPAK SEAL
107	.56556	1	SEAL KIT W/POLYPAK SEAL
108	.56537	1	SPACER
109	.56534	1	PLUNGER 1-1/2" X 8"
35	.62290	2	SPLIT BEARING 1-1/2"
111	.56536	1	CYLINDER 1-1/2" X 8"

NPTF Port/Packing Nut Ram Assy

ITEM	PART NO.	QTY.	DESCRIPTION
80	92190K	2	SWIVEL HOSE FITTING 1/4" X 45°
81	92210K	2	STREET ELBOW 1/4" X 90°
82	55020K	2	PRESSURE HOSE 1/4" x 38"
83	62540	2	RAM ASSY 1-1/2" X 6" (Rectangular Split Bearing)
	25878K	2	RAM ASSY 2" X 16" (Retainer Ring)
27	.25944K	1	PACKING NUT 1-1/2"
	.25948	1	PACKING NUT 2"
28	.25205K	1	PACKING SET W/WIPER 1-1/2"
	.25215	1	PACKING SET W/WIPER 2"
29	.55137	1	WIPER RING 1-1/2"
	.55210	1	WIPER RING 2"
30	.55136	1	PACKING SET 1-1/2"
	.55209	1	PACKING SET 2"
31	.91167	1	WASHER - SPECIAL (1-1/2")
	.91174	2	WASHER - SPECIAL (2")
34	.62545	1	PLUNGER 1-1/2" X 6" (Split Bearing)
85	.25703	1	PLUNGER KIT 2" X 16" (Retainer Ring)
33	.48413	1	SPIRAL RETAINER RING KIT
84		1	CYLINDER 1-1/2" X 6"
	.25949	1	CYLINDER 2" X 16"

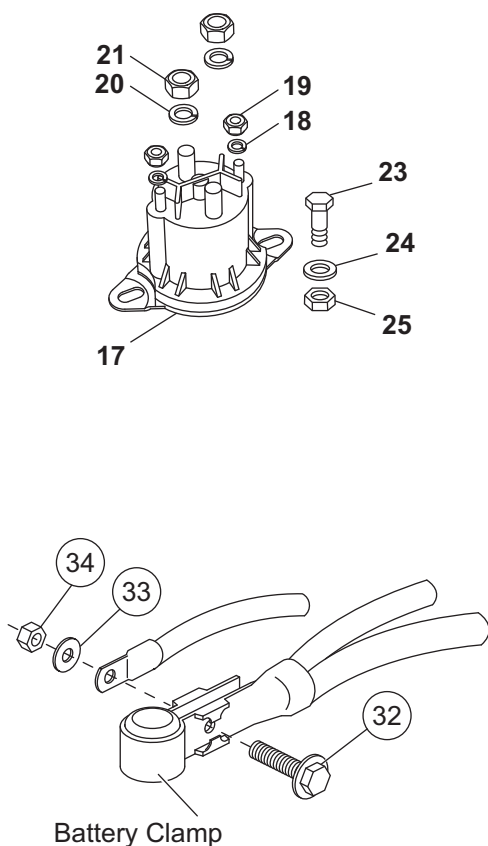
NOTE: Only those items listed with a **PART NUMBER** are available for service.

For a list of abbreviations, see page 5.

Indented parts are included in the assembly under which they are listed. Quantities shown are included with the assembly.

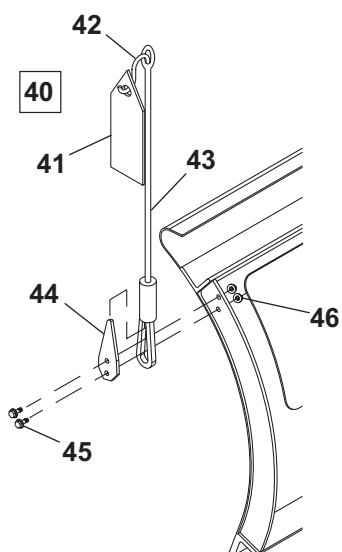
PARTS LIST

Electrical Components Parts List and Diagram



ITEM	PART NO.	QTY.	DESCRIPTION
17	56131K-1	1	MOTOR RELAY KIT
18	. 91242	2	#10 SPRING LOCK WASHER
19	. 91402	2	#10-32 HEX MACHINE NUT GB
20	. 91202	2	5/16 SPRING LOCK WASHER
21	. 92842	2	5/16-24 HEX JAM NUT G5
23	90461	2	1/4-20 X 3/4 HEX CAP SCREW G5
24	90311	2	1/4 FLAT WASHER
25	91331	2	1/4-20 HEX LOCKNUT GB
26	56099	1	DIELECTRIC GREASE TUBE (.25 oz)
	49326	1	DIELECTRIC GREASE TUBE (2 oz)
27	66130	2	RUBBER GROMMET
31	61548K	1	PLUG COVER
32	91055	2	M6-1.00 X 25 HEX CAP SCREW G8.8
33	91057	2	M6 FLAT WASHER
34	91056	2	M6 X 1.00 HEX NUT G10
NS	61845K	1	4' CONTROL HARNESS EXTENSION
NS	66760K	1	V-PLOW ADAPTER CABLE KIT (MVP® Blade to Straight Blade Control)

Blade Component Parts List and Diagram



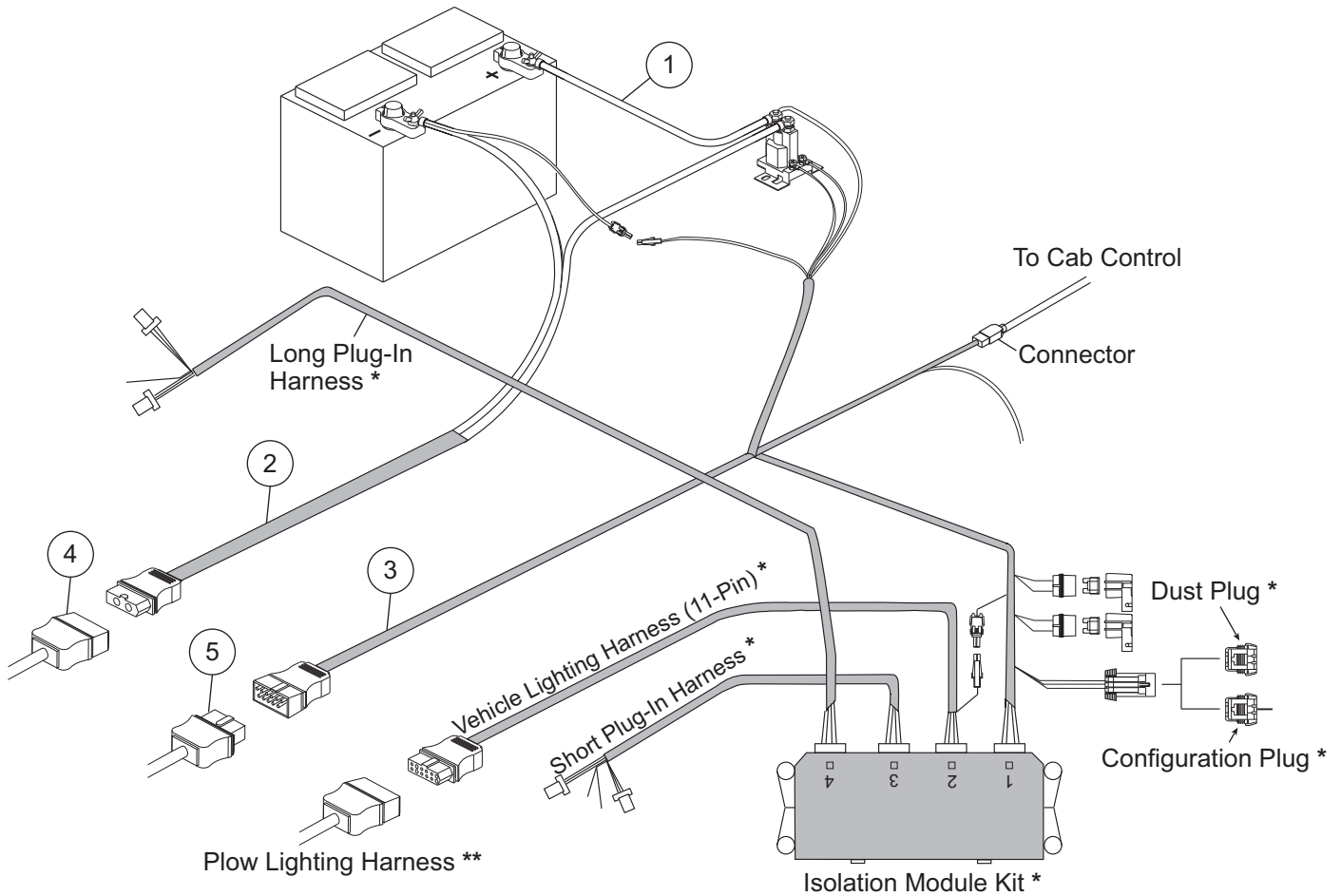
ITEM	PART NO.	QTY.	DESCRIPTION
40	59697	2	BLADE GUIDE ROD, S-HOOK & FLAG
41	. 59694K	1	BLADE GUIDE FLAG
42	. 59696	1	S-HOOK
43	. 59691	1	BLADE GUIDE ROD
44	59946	2	CLAMP
45	68494	4	5/16-18 X 1 HX CS G5 ZYC
46	91332	4	5/16-18 PT HX LK NUT NYIS ZYC

Indented parts are included in the assembly under which they are listed. Quantities shown are included with the assembly.

For a list of abbreviations, see page 5.

PARTS LIST

Harness Parts List and Diagram



* See Isolation Module Electrical System Parts List for part numbers.

** See Headlamp Kit Parts List for part number.

HARNESS COMPONENTS			
Item	Part	Qty	Description
1	22511	1	BATTERY CABLE 22" RED
2	63411	1	VEHICLE BATTERY CABLE
3	26345	1	VEHICLE CONTROL HARNESS 3-PIN
4	21294	1	PLOW BATTERY CABLE
5	26359	1	PLOW CONTROL HARNESS 3-PIN
NS	27063W	1	REPLACEMENT HARNESS END 3-PIN VEHICLE SIDE



Western Products
PO Box 245038
Milwaukee, WI 53224-9538

 A DIVISION OF DOUGLAS DYNAMICS, L.L.C.

Copyright © 2012 Douglas Dynamics, L.L.C. All rights reserved. This material may not be reproduced or copied, in whole or in part, in any printed, mechanical, electronic, film or other distribution and storage media, without the written consent of Western Products. Authorization to photocopy items for internal or personal use by Western Products outlets or snowplow owner is granted.

Western Products reserves the right under its product improvement policy to change construction or design details and furnish equipment when so altered without reference to illustrations or specifications used. Western Products or the vehicle manufacturer may require or recommend optional equipment for snow removal. Do not exceed vehicle ratings with a snowplow. Western Products offers a limited warranty for all snowplows and accessories. See separately printed page for this important information. The following are registered (®) or unregistered (™) trademarks of Douglas Dynamics, L.L.C.: ISARMATIC®, UniMount®, WESTERN®.

Printed in U.S.A.