



PRO-PLOW[®] and POLY PRO-PLOW[®] Snowplows

Steel Blades 60381, 60390, 60308, 60655

Poly Blades 62400, 62450

A,Q&L 67950, 67951-2

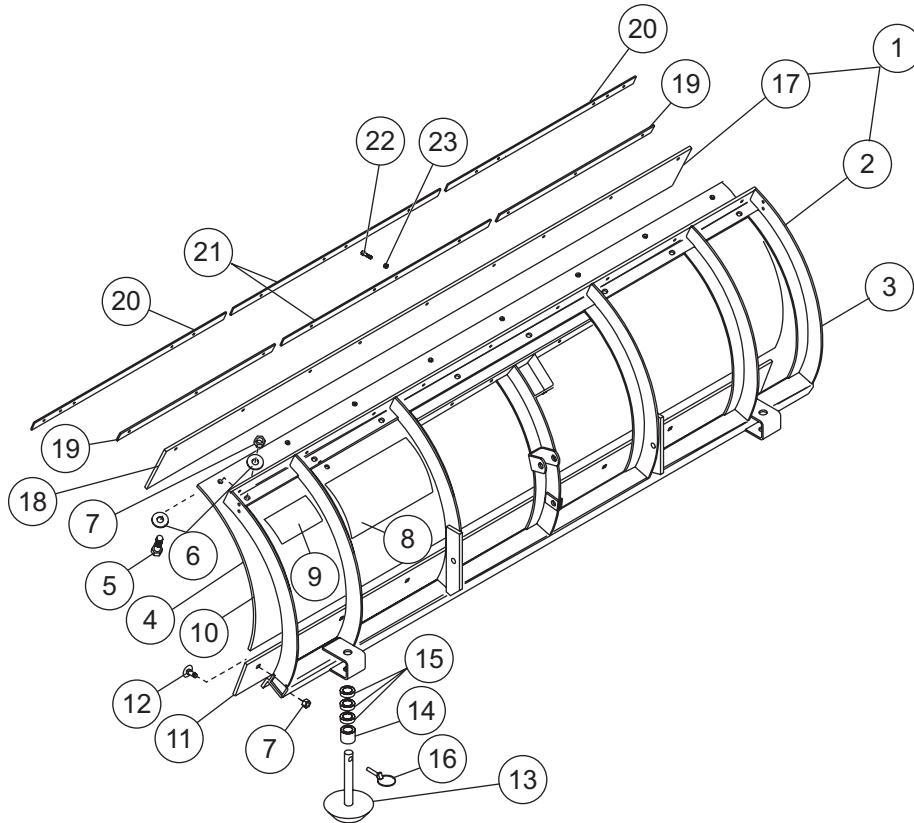
Hydraulics Box 64588

Parts List



POLY PRO-PLOW® BLADE COMPONENTS

POLY PRO-PLOW Blade Components

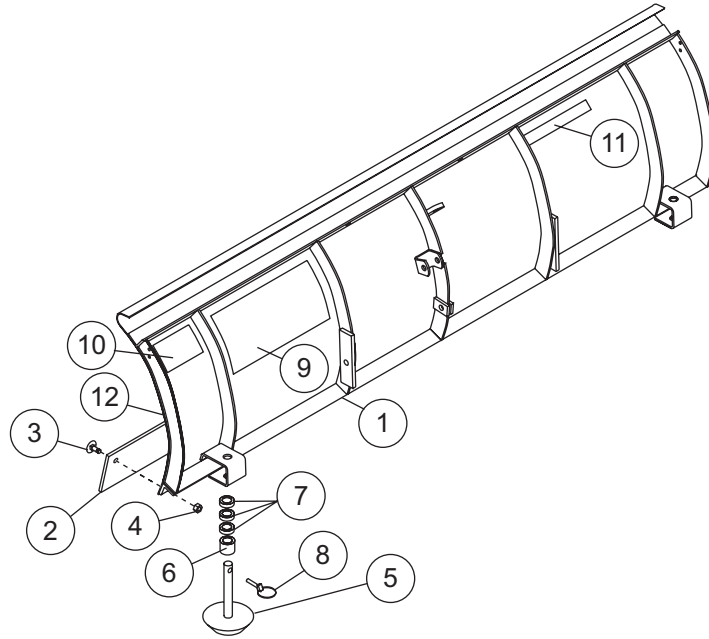


POLY PRO-PLOW Blade Components							
Item	Part	Qty	Description	Item	Part	Qty	Description
1	62400	1	7-1/2 Blade (62395 and 62396)	12	90238	8	1/2-13 x 1-3/4 Carriage Bolt G8
	62450	1	8' Blade (62420 and 62402)	13	49071	2	HD Disc Shoe Assembly
2	62395	1	7-1/2' Blade Assembly (w/o 62396)	14	60045	1	Spacer
	62420	1	8' Blade Assembly (w/o 62402)	15	91192	26	1" Flat Washer, Special
3	62350	1	7-1/2' Blade Frame	16	93010K	1	7/16 x 1-3/4 Linchpin (2 Pack)
	62415	1	8' Blade Frame	17	62396	1	7-1/2' Rubber Snow Deflector Assembly
4	49322	1	7-1/2' Moldboard Kit		62402	1	8' Rubber Snow Deflector Assembly
	49327	1	8' Moldboard Kit	18	62149	1	7-1/2' Rubber Snow Deflector
5	90101	8	1/2-13 x 1-3/4 Hex Cap Screw G5		62394	1	8' Rubber Snow Deflector
6	91105	16	1/2 Flat Washer Type A Wide	19	64803	2	Retainer, Outer – 7-1/2'
7	91335	8	1/2-13 Hex Locknut	20	64801	2	Retainer, Outer – 9'
8	67796	1	Label – UltraMount® Attach/Detach	21	64802	1	Retainer, Inner
9	59900	1	Label – Information (Warning)	22	90048	12	5/16-18 x 1-1/4 Hex Cap Screw G5
10	69489	1	Label – Identity	23	91332	12	5/16-18 Hex Locknut
11	49312	1	7-1/2' Cutting Edge Assembly	ns	28548	1	Blade Label Kit, UltraMount
	49328	1	8' Cutting Edge Assembly				
			ns = not shown	G = Grade			

* 8 each except for 9' blade – 10 each

STEEL PRO-PLOW® BLADE COMPONENTS

Steel PRO-PLOW Blade Components

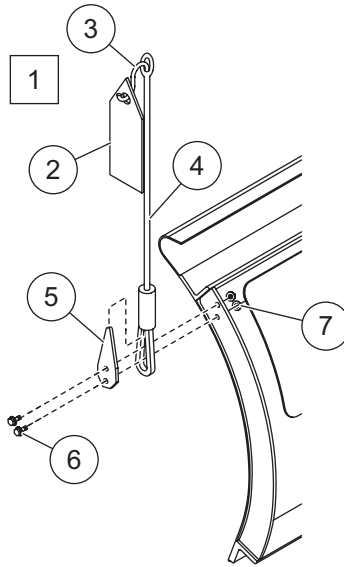


Steel PRO-PLOW Blade Components							
Item	Part	Qty	Description	Item	Part	Qty	Description
1	60381	1	7-1/2' Blade Assembly	5	49071	2	HD Disc Shoe Assembly
	60390	1	8' Blade Assembly	6	60045	1	Spacer
	60308	1	8-1/2' Blade Assembly	7	91192	26	1" Flat Washer, Special
		1	9' Blade Assembly	8	93010K	1	7/16 x 1-3/4 Linchpin (2 Pack)
2	49088	1	7-1/2' Cutting Edge Assembly	9	67796	1	Label – UltraMount® Attach/Detach
	49089	1	8' Cutting Edge Assembly	10	59900	1	Label – Information (Warning)
	49086	1	8-1/2' Cutting Edge Assembly	11	28404	1	Label – Identity (ULTRAFINISH™)
	49251	1	9' Cutting Edge Assembly	12	69489	1	Label – Identity
3	90238	*	1/2-13 x 1-3/4 Carriage Bolt G8	ns	28548	1	Blade Label Kit, UltraMount
4	91335	*	1/2-13 Hex Locknut				
			ns = not shown	G = Grade			

* 8 each except for 9' blade – 10 each

A,Q&L COMPONENTS

Blade Guide Components

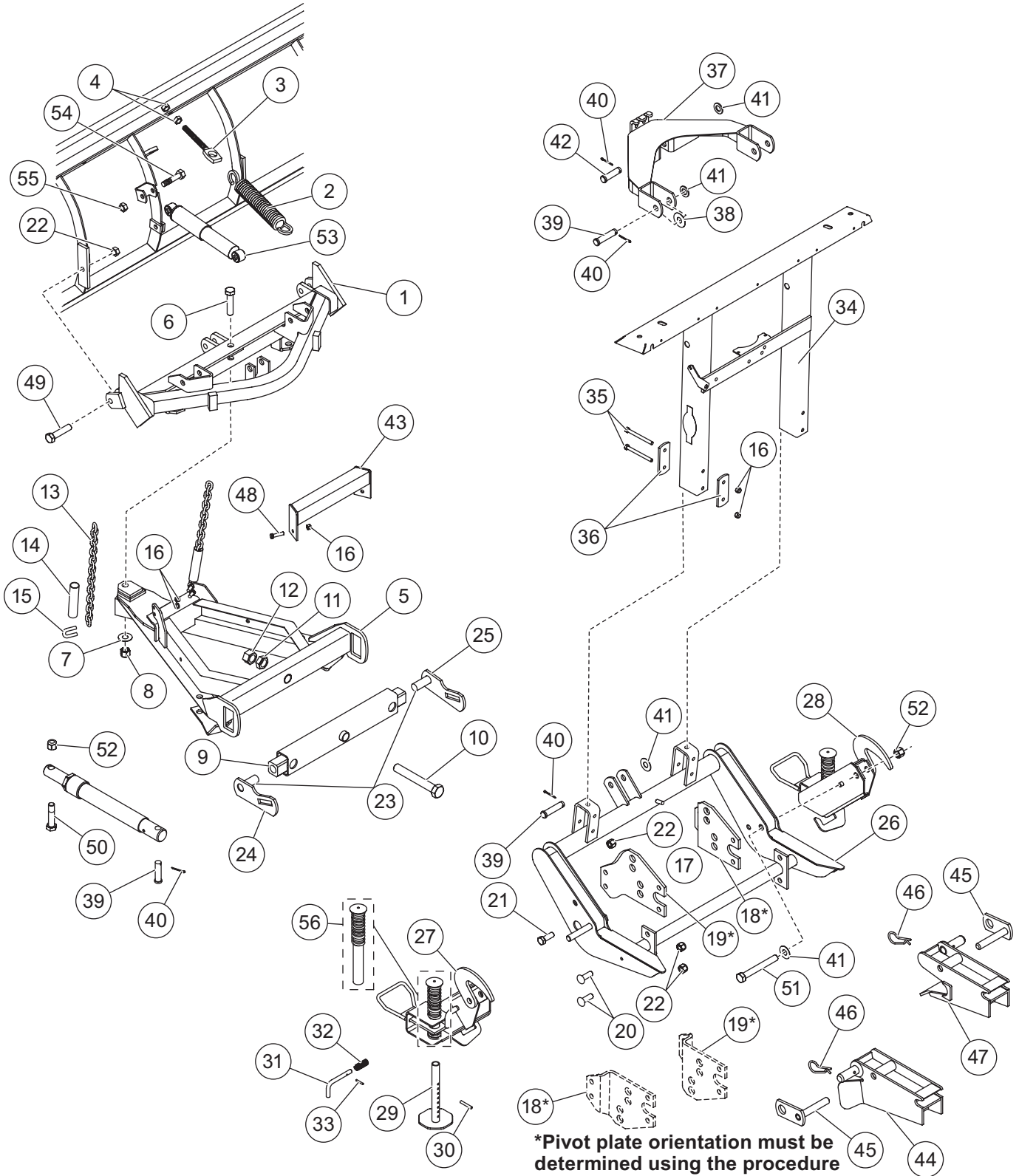


59700 Blade Guide Kit (Pair)							
Item	Part	Qty	Description	Item	Part	Qty	Description
1	59697	2	Blade Guide Rod, S-Hook & Flag	5	59946	2	Clamp
2	59694K	1	Blade Guide Flag	6	68494	4	5/16-18 x 1 Hex Cap Screw G2
3	59696	1	S-Hook	7	91332	4	5/16-18 Hex Locknut
4	59691	1	Blade Guide Rod				

G = Grade

A,Q&L COMPONENTS

A-Frame, Quadrant & Lift Frame Components



BLADE GUIDE COMPONENTS

A-Frame, Quadrant & Lift Frame Components							
Item	Part	Qty	Description	Item	Part	Qty	Description
1	67848	1	Quadrant	29	67847	2	Stand Shoe Kit
2	23039	4	Trip Spring	30	67635	1	1/4 x 2 Roll Pin
3	90493K	4	5/8-11 x 6 Eyebolt w/Nuts	31	67844	1	Stand Lock Pin Kit
4	91416	2	5/8-11 Hex Nut	32		1	Spring, Lock Pin, Stand
5	67854	1	A-Frame	33		1	3/16 x 1-1/4 Roll Pin
6	67856	1	Nose Plate Bolt Kit	34	67853-1	1	Upper Lift Frame Kit
7	63575	1	3/4 SAE Structural Washer	35		4	3/8-16 x 4 Hex Cap Screw G8
8	63574	1	3/4-10 Hex Nut, Toplock Flange	36		4	Plate – Upper Lift Frame
9	67842	1	Pivot Bar Kit	37	67850-1	1	Lift Arm Kit
10	67855	1	Pivot Bolt Kit	38	67727	2	Washer, Special
11	67748	1	1-8 Hex Jam Nut	39	93063K	2	3/4 x 3-1/4 Clevis Pin Kit
12	91340	1	1-8 Hex Locknut	40	91911	1	5/32 x 1-1/2 Cotter Pin
13	49033	2	Replacement Chain Assy	41	91147	1	3/4 Flat Washer, Type A
14	65508	1	Plastic Tube	42	64617	1	3/4 x 3 Clevis Pin Kit
15	90453	1	3/8-16 x 1-1/2 U-Bolt G5	43	67676	1	Stacking Stop
16	91333	2	3/8-16 Hex Locknut	44	67858	1	Receiver Kit, DS
17	67843	2	Pivot Plate Kit	45	67665	1	Receiver Pin
18	67707	1	Plate, Pivot, A	46	91965K	1	5/32 Hairpin Cotter
19	67708	1	Plate, Pivot, B	47	67859	1	Receiver Kit, PS
20	5572	1	5/8-11 x 2 Carriage Bolt G5	48	66456	2	3/8-16 x 1-1/4 Hex Cap Screw G5
21	90127	4	5/8-11 x 1-1/2 Hex Cap Screw G5	49	90132	3	5/8-11 x 3 Hex Cap Screw
22	91337	2	5/8-11 Hex Locknut	50	90161	2	3/4-10 x 4 Hex Cap Screw G5
23	66812	6	Pivot Pin Kit	51	66451	2	3/4-10 x 6 Hex Cap Screw G5
24	67974	3	Pivot Pin, DS	52	91338	4	3/4-10 Hex Locknut
25	67977	1	Pivot Pin, PS	53	60338	1	Shock Absorber Assy
26	67556-1	1	Lift Frame, Lower	54	66450	2	3/4-10 x 3 Hex Cap Screw G5
27	67845	1	Stand Assembly, DS	55	91339	2	3/4-10 Hex Jam Locknut
28	67846	1	Stand Assembly, PS	56	48523	1	Plunger w/ Spring

G = Grade



Western Products
PO Box 245038
Milwaukee, WI 53224-9538
www.westernplows.com

 **A DIVISION OF DOUGLAS DYNAMICS, LLC**

Copyright © 2014 Douglas Dynamics, LLC. All rights reserved. This material may not be reproduced or copied, in whole or in part, in any printed, mechanical, electronic, film or other distribution and storage media, without the written consent of Western Products. Authorization to photocopy items for internal or personal use by Western Products outlets or snowplow owner is granted.

Western Products reserves the right under its product improvement policy to change construction or design details and furnish equipment when so altered without reference to illustrations or specifications used. Western Products or the vehicle manufacturer may require or recommend optional equipment for snow removal. Do not exceed vehicle ratings with a snowplow. Western Products offers a limited warranty for all snowplows and accessories. See separately printed page for this important information. The following are registered (®) or unregistered (™) trademarks of Douglas Dynamics, LLC: POLY PRO-PLOW®, PRO-PLOW®, ULTRAFINISH™, UltraMount®, WESTERN®.

Printed in U.S.A.