



**Fisher Engineering**

P.O. Box 529 Rockland, Maine 04841

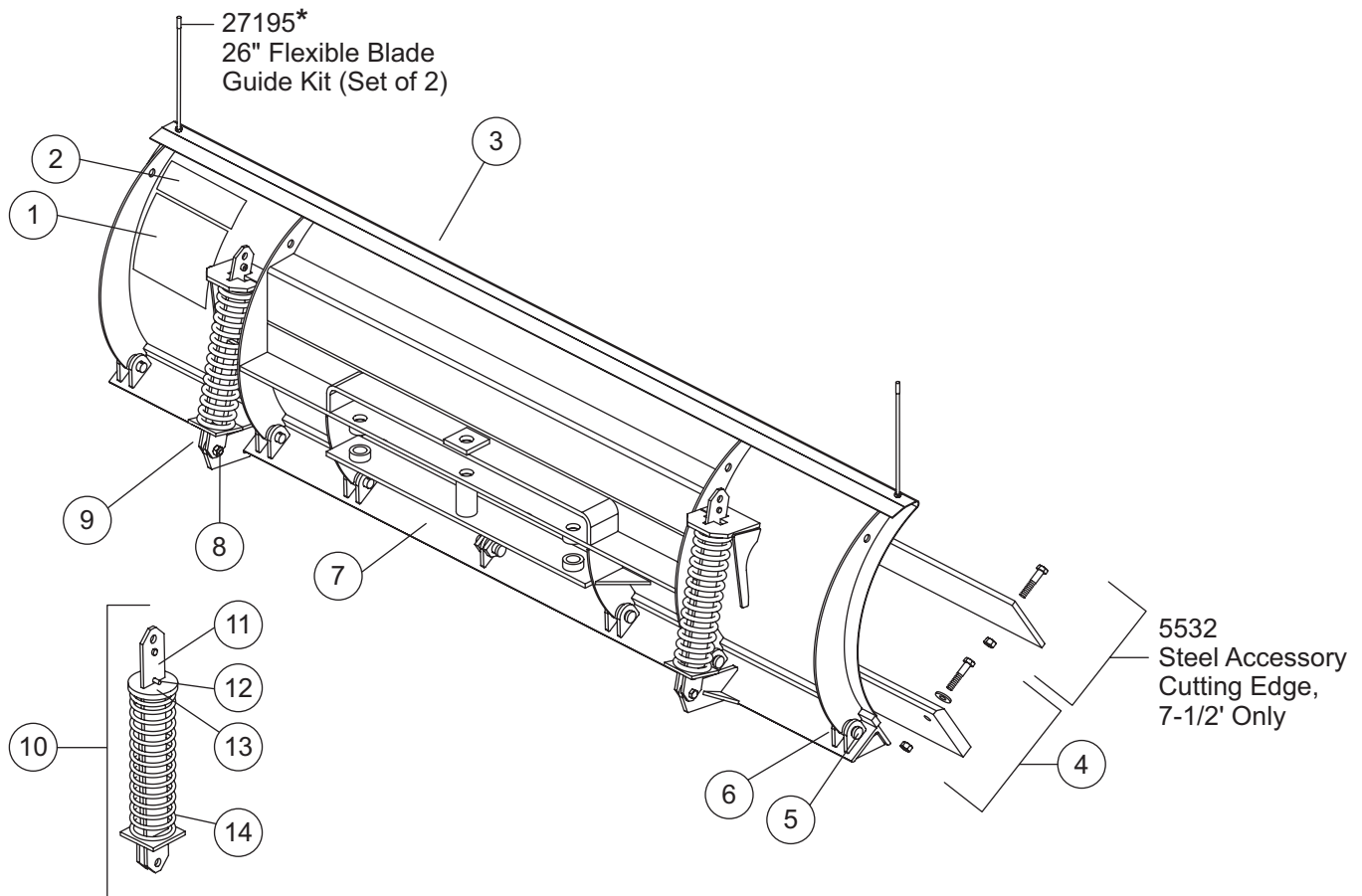
**LD Series Blade Components**

**6' 9" Blade 22069**

**7-1/2' Blade 22075**

October 1, 2003

Lit. No. 22231



\* Packed in the 22135 Headgear Kit.

LD Series Blade Components					
Item	Part	Description	Item	Part	Description
1	59900	Label – Information (Warning)	8	91003	7/16-14 Shoulder Bolt G5
2	26211	Label – Identity, STORM GUARD™	9	90353	7/16-14 Hex Locknut GB
3	20238	Decal – Splatter 13-1/4 x 14-1/2	10	26464	Removable Spring Assembly
4	22215	Cutting Edge Kit – 6' 9" LD Poly	11	20757	Removable Spring Bar
	22216	Cutting Edge Kit – 7/1/2' LD Poly	12	20181	1/4 x 1-1/4 Pin
5	5523K	3/4 x 2-3/16 Machine Pin w/Cotter	13	20191	Removable Spring Disc
6	90658	5/32 x 1-1/4 Cotter Pin	14	27406	Trip Spring
7	22180	Base Angle – 6' 9" LD			
	22181	Base Angle – 7-1/2' LD			

**LD Series Blade Components**  
**6' 9" Blade 22069**  
**7-1/2' Blade 22075**

---

Copyright© 2003 Douglas Dynamics, L.L.C. All rights reserved. This material may not be reproduced or copied, in whole or in part, in any printed, mechanical, electronic, film or other distribution and storage media, without the written consent of Fisher Engineering. Authorization to photocopy items for internal or personal use by Fisher Engineering outlets or snowplow owner is granted.

Fisher Engineering reserves the right under its product improvement policy to change construction or design details and furnish equipment when so altered without reference to illustrations or specifications used. Fisher Engineering and the vehicle manufacturer may require and/or recommend optional equipment for snow removal. Do not exceed vehicle ratings with a snowplow. Fisher Engineering offers a limited warranty for all snowplows and accessories. See separately printed page for this important information. The following are registered (®) and unregistered (™) trademarks of Douglas Dynamics, L.L.C.: FISHER®, STORM GUARD™.

**Printed in U.S.A.**