

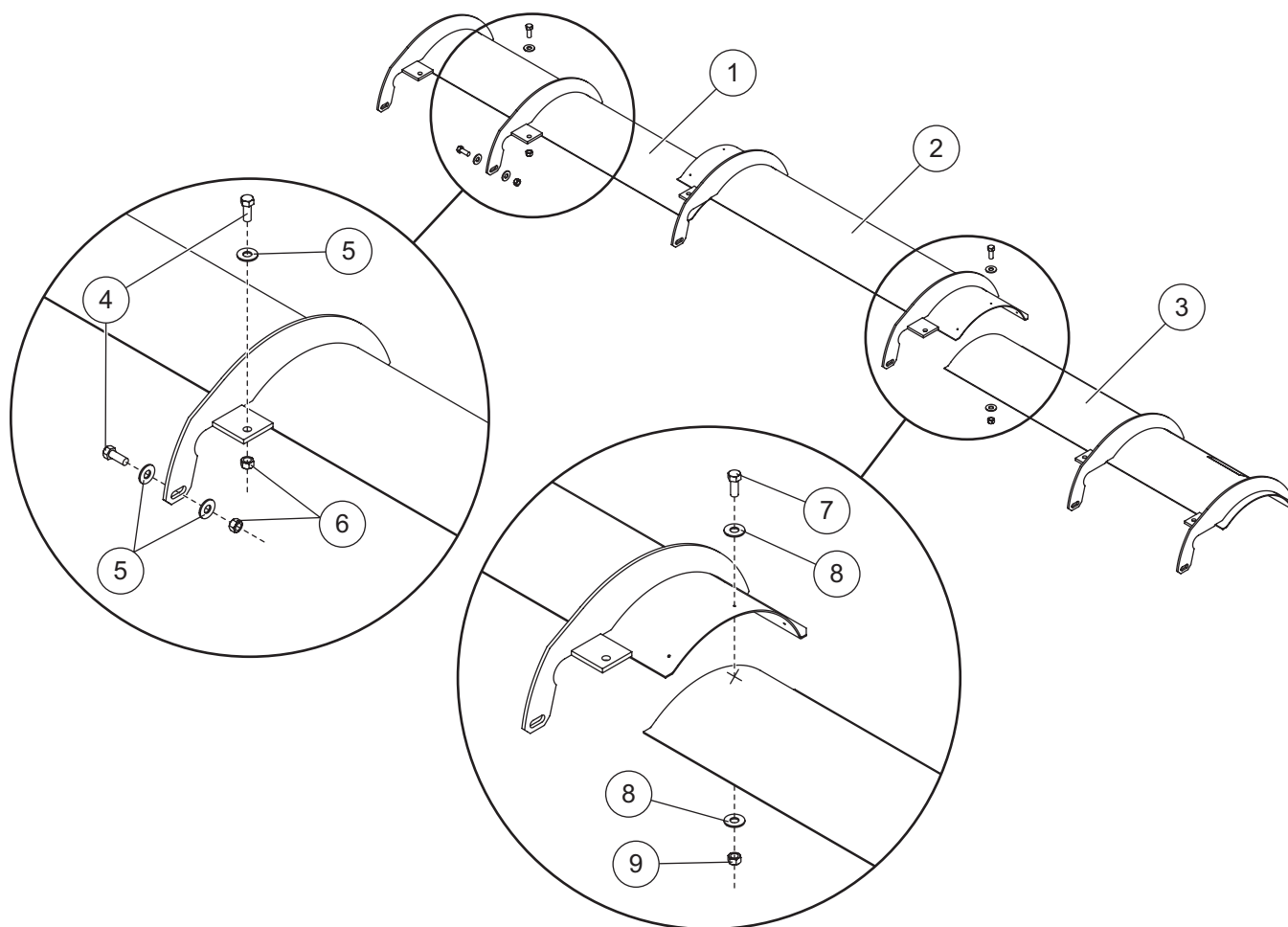

Fisher Engineering

50 Gordon Drive, Rockland, Maine 04841-2139 • www.fisherplows.com

 January 15, 2008
 Lit. No. 26449, Rev. 06

SnoFoil® Assembly

7-1/2', 8', 8-1/2' and 9' M-Series Blades

PARTS LIST


SnoFoil Assembly							
Item	Part	Qty	Description	Item	Part	Qty	Description
1	27025	1	SnoFoil RD/HD – DS	3	27027	1	SnoFoil RD/HD – PS
2	27026	1	SnoFoil RD/HD – Center	ns	‡	1	Bolt Bag
Bolt Bag							
4	66456	12	3/8-16 x 1-1/4 Hex Cap Screw G5	7	90018	6	5/16-18 x 5/8 Hex Cap Screw G5
5	90315	18	3/8 Plain Washer	8	90313	12	5/16 Plain Washer
6	91333	12	3/8-16 Hex Locknut GB	9	91332	6	5/16-18 Hex Locknut GB Topping
‡ = Not available separately			ns = not shown			G = Grade	

INSTALLATION INSTRUCTIONS

⚠ WARNING

Do not exceed GVWR or GAWR, including blade and ballast. The rating label is found on the driver-side vehicle door cornerpost.

⚠ CAUTION

Read this document before installing the SnoFoil® Assembly.

⚠ CAUTION

Use standard methods and practices when attaching snowplow and installing accessories including proper personal protective safety equipment.

⚠ CAUTION

See your FISHER® outlet/Web site for specific vehicle application recommendations before installation. SnoFoil Assembly weight information may be found in the Kit Selection Guide.

1. Remove blade guides from the top of the blade and set them aside for later.
2. Place the passenger- and driver-side SnoFoil sections on top of the blade. Align their edges with the ends of the blade. Place the center SnoFoil section on top of the outside sections. Clamp SnoFoil Assembly in place (protect finish from metal jaws).

3. Attach the slotted holes in the SnoFoil ribs to holes in the blade ribs with one 3/8" x 1-1/4" cap screw, two 3/8" washers and one 3/8" locknut at each rib connection. The washers should be placed outside the slotted holes on both the blade and the SnoFoil ribs. Fully tighten fasteners to 31 ft-lb.
4. Drill 13/32" holes through the top of the blade using the holes in the SnoFoil Assembly as guides.
5. Fasten the SnoFoil Assembly to the top of the blade with a 3/8" x 1-1/4" cap screw, a 3/8" washer and a 3/8" locknut at each tab location. Fully tighten fasteners to 31 ft-lb.
6. Clamp the overlapping sections of the SnoFoil Assembly together. Drill 11/32" holes through the assembly using the holes in the center section as guides.
7. Fasten the SnoFoil Assembly sections together using a 5/16" x 5/8" cap screw, two 5/16" washers and a 5/16" locknut at each hole. Fully tighten fasteners to 18 ft-lb.
8. Install the flexible blade guides in the front edge of the SnoFoil Assembly.

⚠ WARNING

Do not block headlamp beam.

Copyright © 2008 Douglas Dynamics, L.L.C. All rights reserved. This material may not be reproduced or copied, in whole or in part, in any printed, mechanical, electronic, film or other distribution and storage media, without the written consent of Fisher Engineering. Authorization to photocopy items for internal or personal use by Fisher Engineering outlets or snowplow owner is granted.

Fisher Engineering reserves the right under its product improvement policy to change construction or design details and furnish equipment when so altered without reference to illustrations or specifications used. Fisher Engineering or the vehicle manufacturer may require or recommend optional equipment for snow removal. Do not exceed vehicle ratings with a snowplow. Fisher Engineering offers a limited warranty for all snowplows and accessories. See separately printed page for this important information. The following are registered (®) trademarks of Douglas Dynamics, L.L.C.: FISHER®, SnoFoil®.

Printed in U.S.A.