



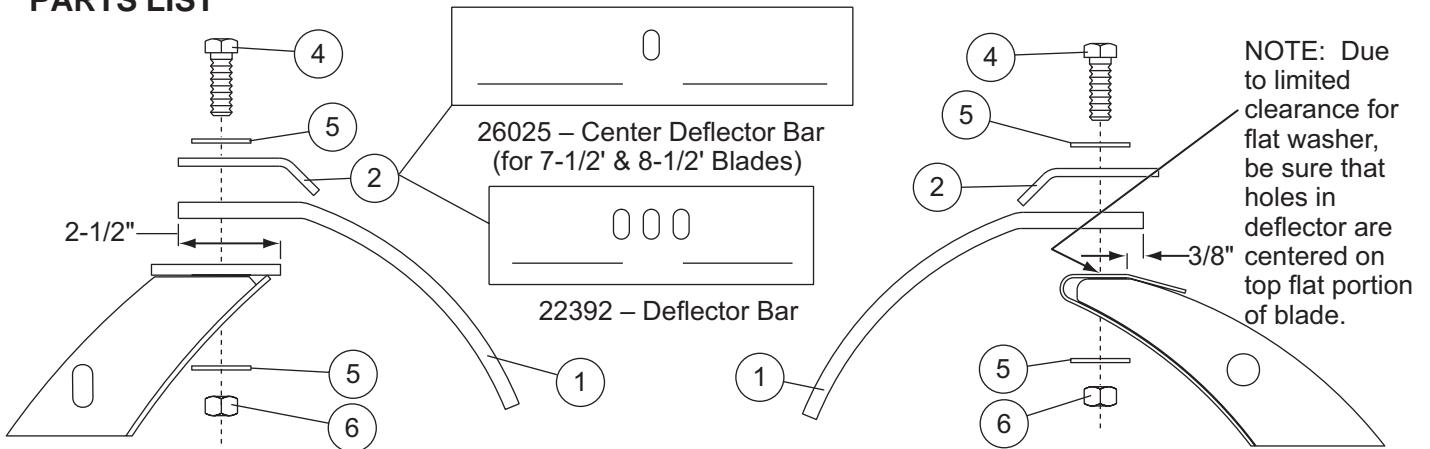
RUBBER DEFLECTOR

7-1/2' LD & SD BLADES

7-1/2', 8', 8-1/2', 9' RD & HD BLADES

PARTS LIST

Top View



Blades with Flat Top Bar

Blades with Rolled Top Bar

22470-1 Rubber Deflector							
Item	Part	Qty	Description	Item	Part	Qty	Description
1	22465	1	Rubber Deflector		26271	2	Blade Guide Bracket
2	22392	9	Deflector Bar	ns	26035	1	Bolt Bag
	26025	1	Deflector Bar, 7.5'				
26035 Bolt Bag							
4	90210	11	1/2-13 x 1-1/2 Hex Cap Screw G5	6	90355	11	1/2 Hex Locknut GB
5	91105	22	1/2 Flat Washer				
ns = not shown				G = Grade			

⚠ WARNING

Do not exceed GVWR or GAWR, including blade and ballast. The rating label is found on the driver-side vehicle door cornerpost.

⚠ CAUTION

Use standard methods and practices when attaching snowplow and installing accessories including proper personal protective safety equipment.

⚠ CAUTION

Read this document before installing the Rubber Deflector.

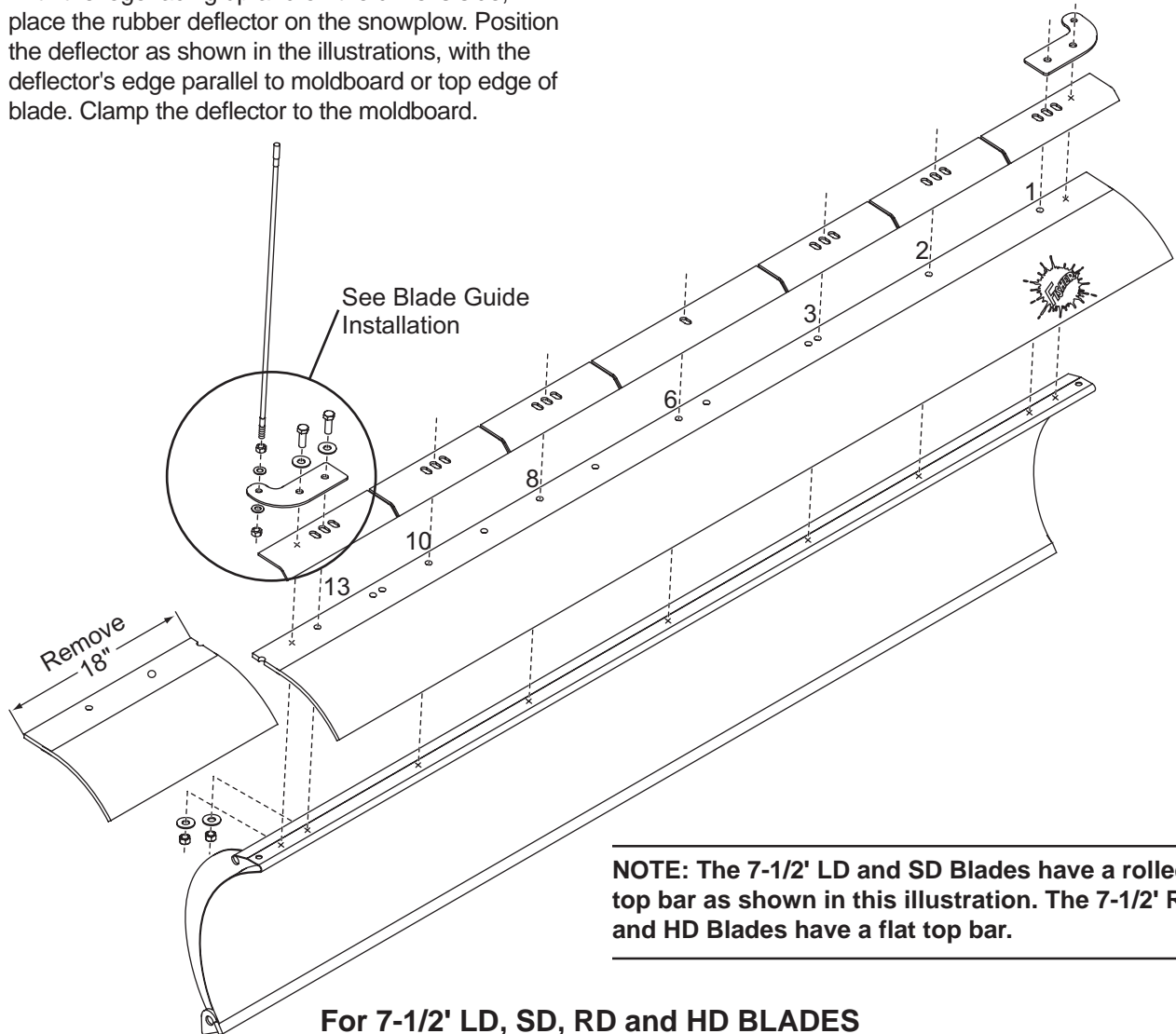
⚠ CAUTION

See your FISHER® outlet/Web site for specific vehicle application recommendations before installation. Rubber Deflector weight information may be found in the Kit Selection Guide.

INSTALLATION INSTRUCTIONS

1. Park the vehicle on a smooth, level, hard surface, such as concrete. Lower the blade to the ground, and turn the control to the "OFF" position. Disconnect the snowplow from the vehicle, or turn the vehicle ignition to the "OFF" position and remove the key.
2. Trim 7-1/2', 8' and 8-1/2' deflectors as shown in illustration.
3. Place rubber deflector on a flat surface with the logo facing up. Mark the holes that will be used to bolt the deflector to the blade. Each blade size uses a different set of holes, so be sure to use the holes shown in the illustration depicting your blade.
4. With the logo facing up and on the driver's side, place the rubber deflector on the snowplow. Position the deflector as shown in the illustrations, with the deflector's edge parallel to moldboard or top edge of blade. Clamp the deflector to the moldboard.

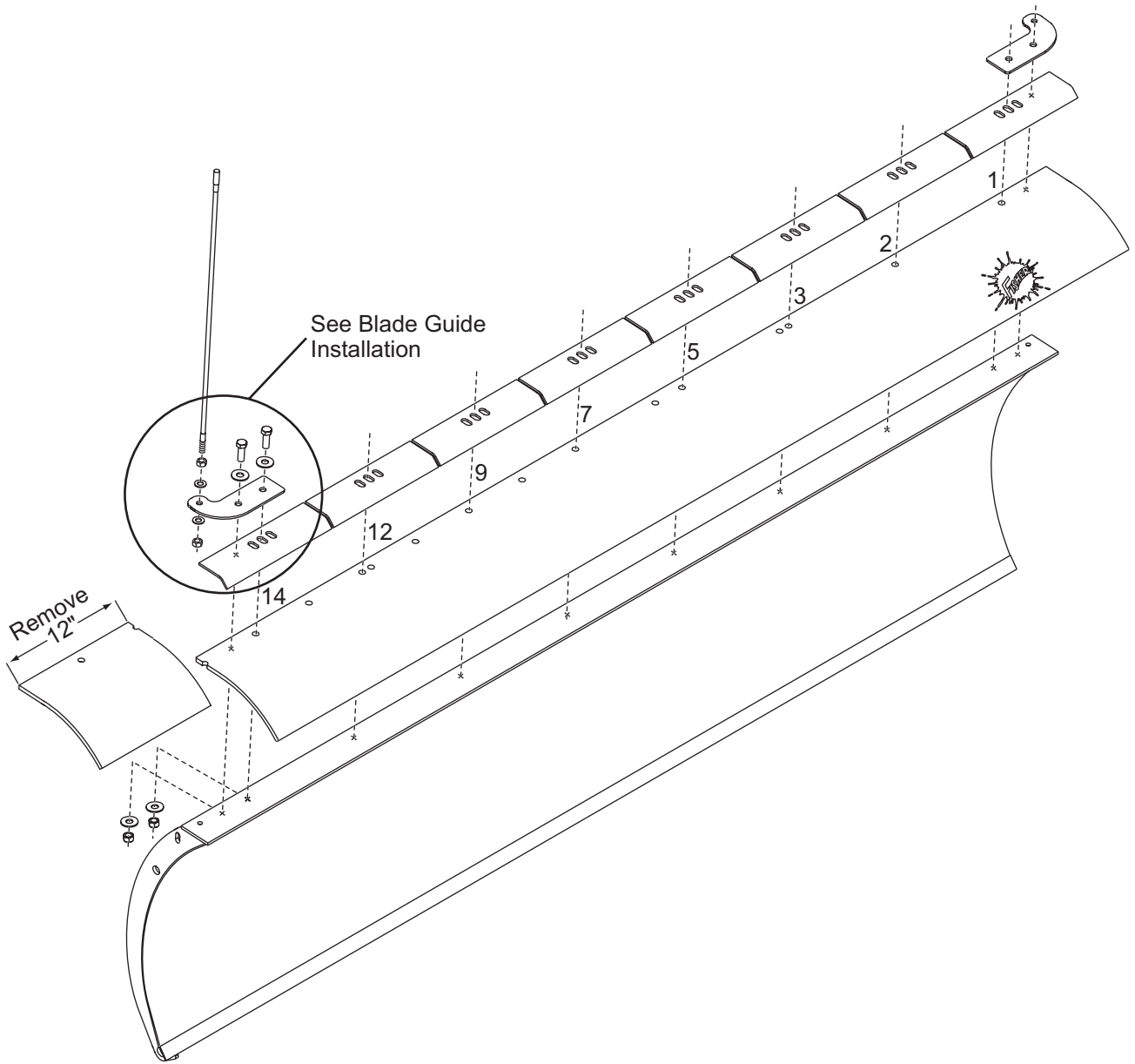
5. Drill 17/32" holes through the top of the moldboard, using the marked deflector holes as a guide.
6. Place the bolting bars on top of the deflector, side-by-side with the bent edge pointing down. When installing bolting bars to ends of blade, attach blade guide brackets as shown in illustrations. Fasten the bolting bars and rubber deflector to the snowplow with 1/2" x 1-1/2" cap screws, two 1/2" washers and 1/2" locknuts, making sure the bolting bars are tight against the deflector and the moldboard.
7. Install blade guides to blade guide brackets, according to illustration on page 4.



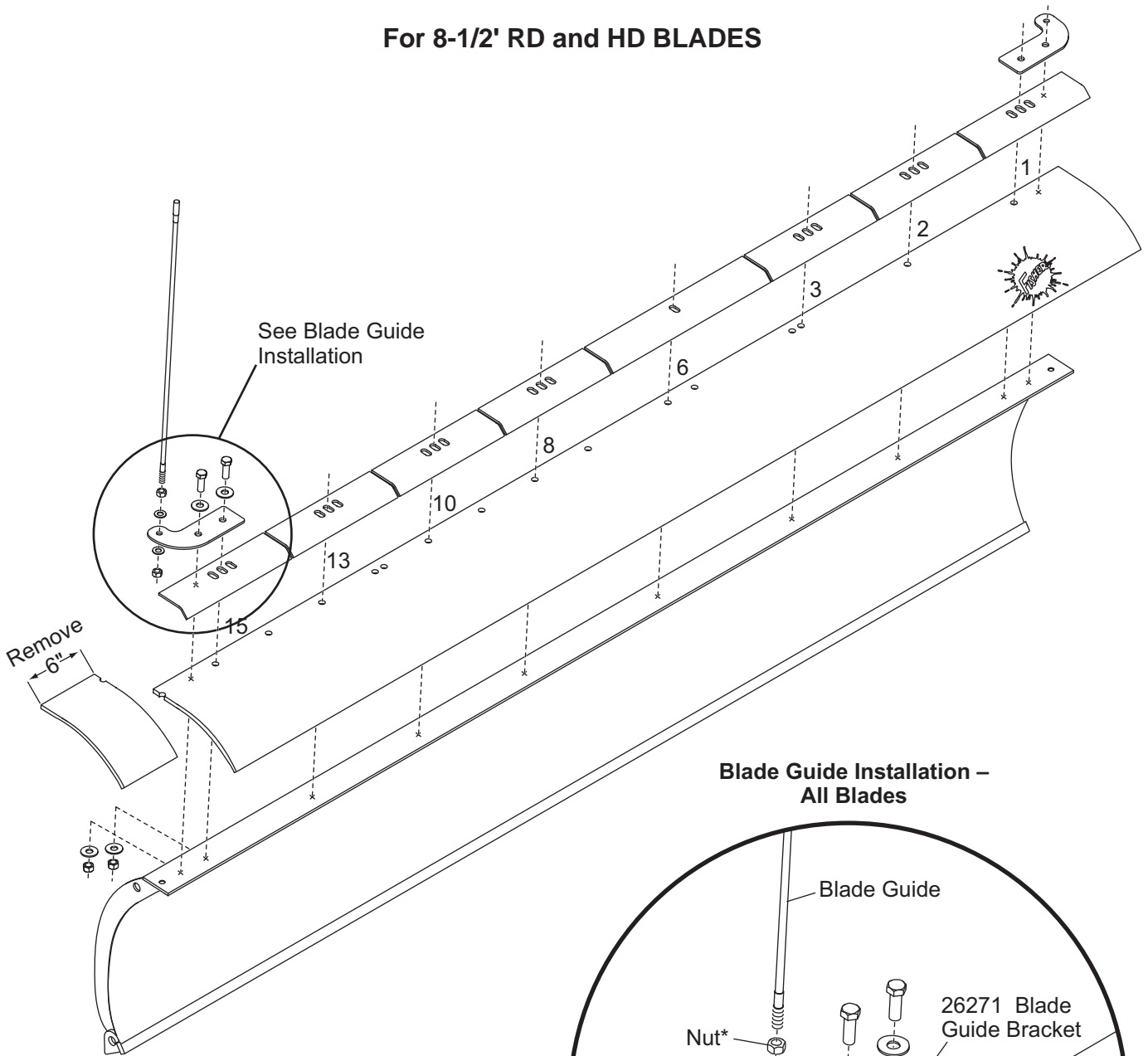
NOTE: The 7-1/2' LD and SD Blades have a rolled top bar as shown in this illustration. The 7-1/2' RD and HD Blades have a flat top bar.

For 7-1/2' LD, SD, RD and HD BLADES

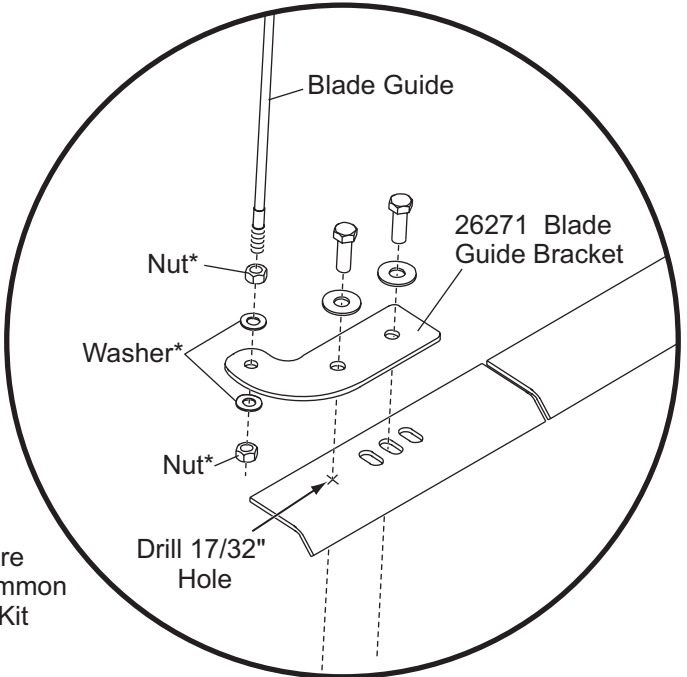
For 8' RD and HD BLADES



For 8-1/2' RD and HD BLADES

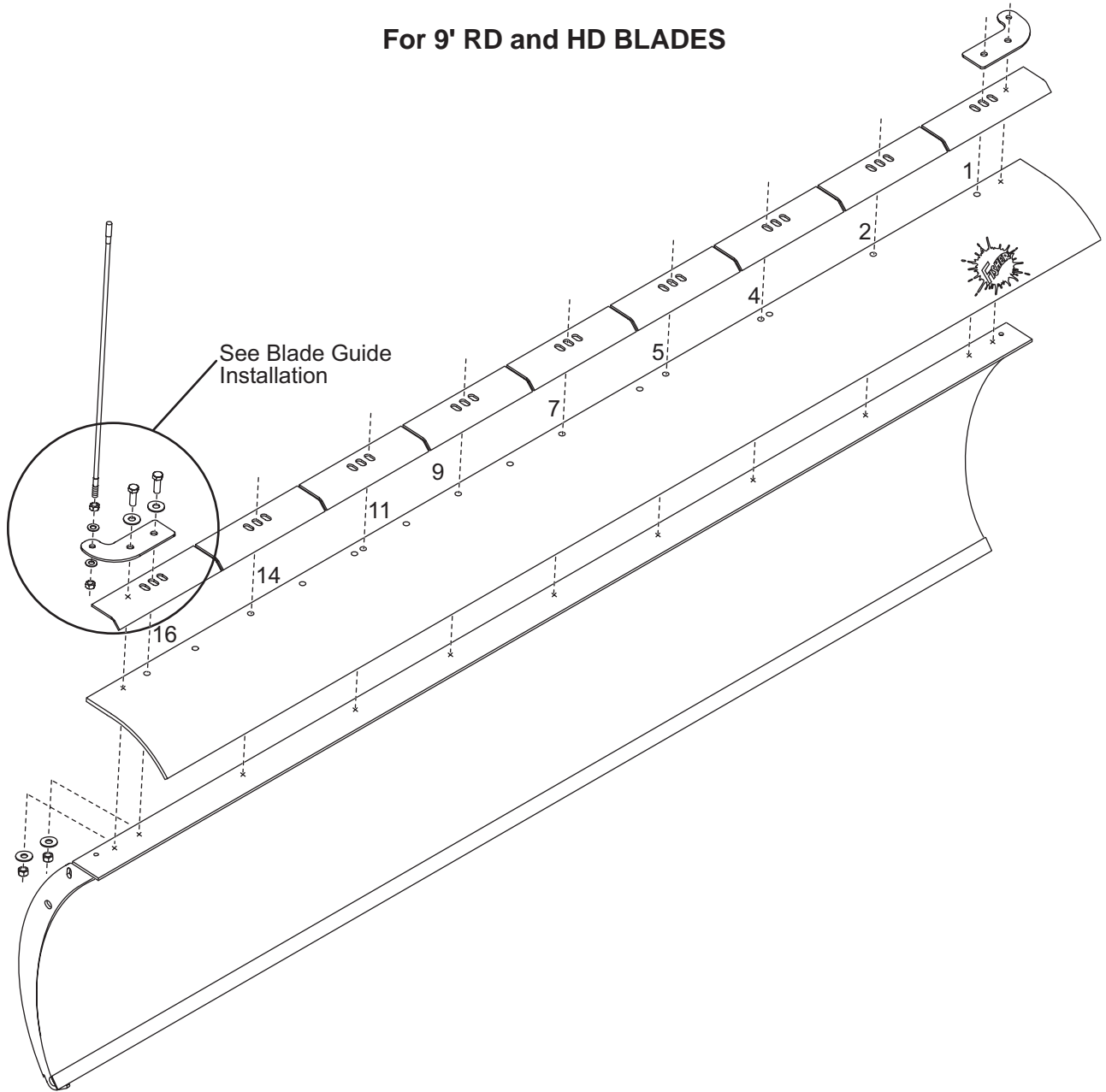


Blade Guide Installation – All Blades



* Fasteners are found in Common Attachment Kit

For 9' RD and HD BLADES



Copyright © 2008 Douglas Dynamics, L.L.C. All rights reserved. This material may not be reproduced or copied, in whole or in part, in any printed, mechanical, electronic, film or other distribution and storage media, without the written consent of Fisher Engineering. Authorization to photocopy items for internal or personal use by Fisher Engineering outlets or snowplow owner is granted.

Fisher Engineering reserves the right under its product improvement policy to change construction or design details and furnish equipment when so altered without reference to illustrations or specifications used. Fisher Engineering or the vehicle manufacturer may require or recommend optional equipment for snow removal. Do not exceed vehicle ratings with a snowplow. Fisher Engineering offers a limited warranty for all snowplows and accessories. See separately printed page for this important information. The following are registered (®) or unregistered (™) trademarks of Douglas Dynamics, L.L.C.: FISHER®.

Printed in U.S.A.
