



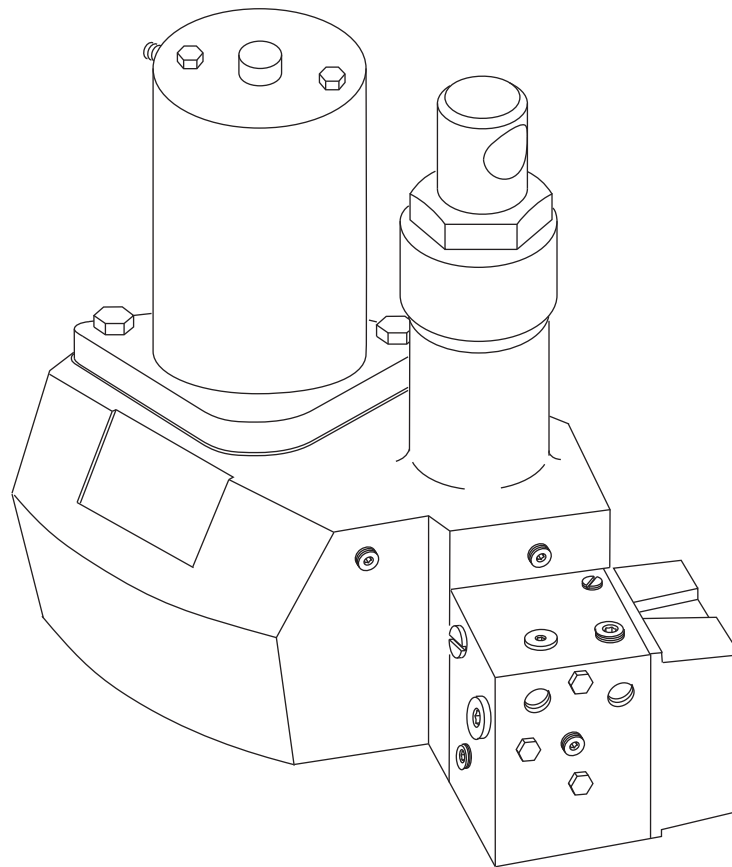
Fisher Engineering

50 Gordon Drive, Rockland, Maine 04841-2139 www.fisherplows.com

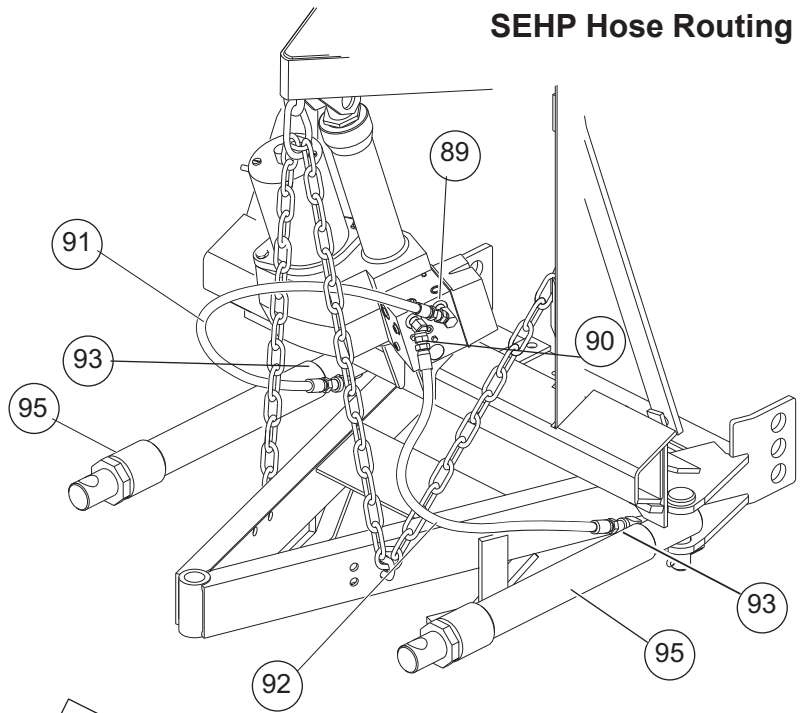
8225
8240
8425

March 1, 2013
Lit. No. 20751, Rev. 12

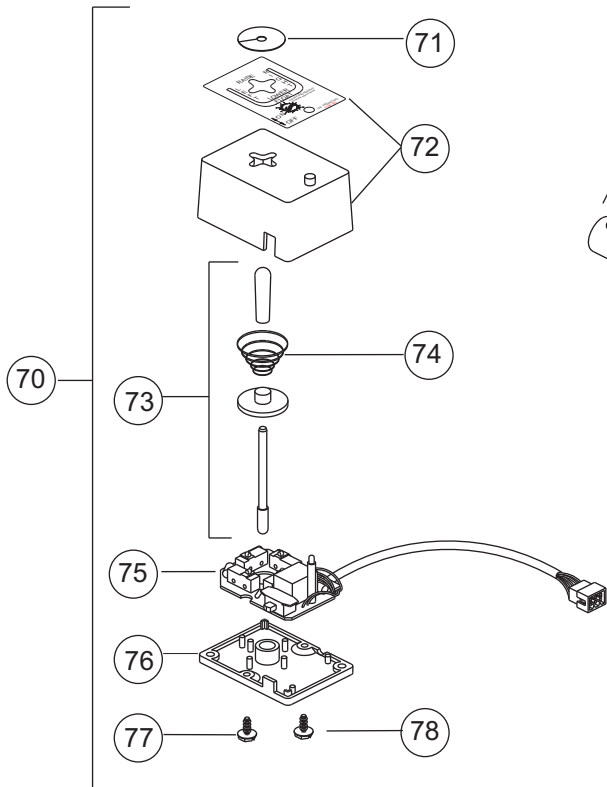
Solenoid Electric Hydraulic Pack Parts List



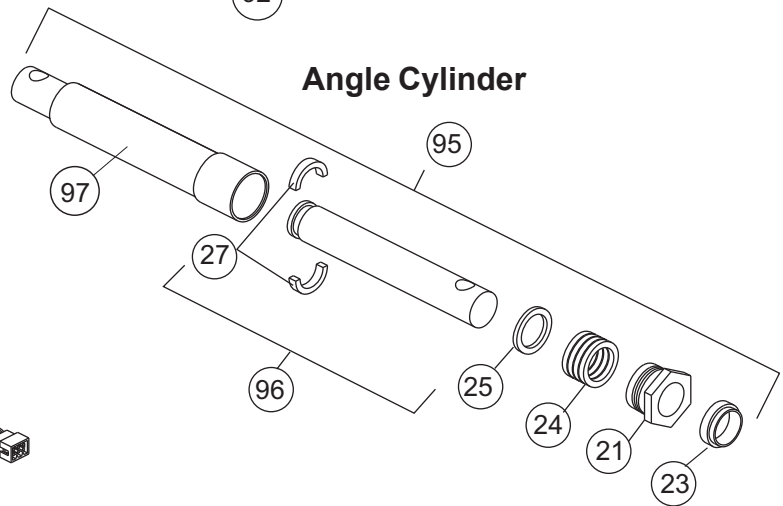
SEHP Hose Routing



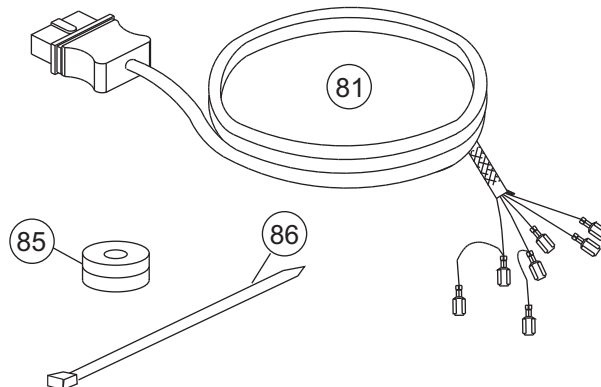
Solenoid Control



Angle Cylinder

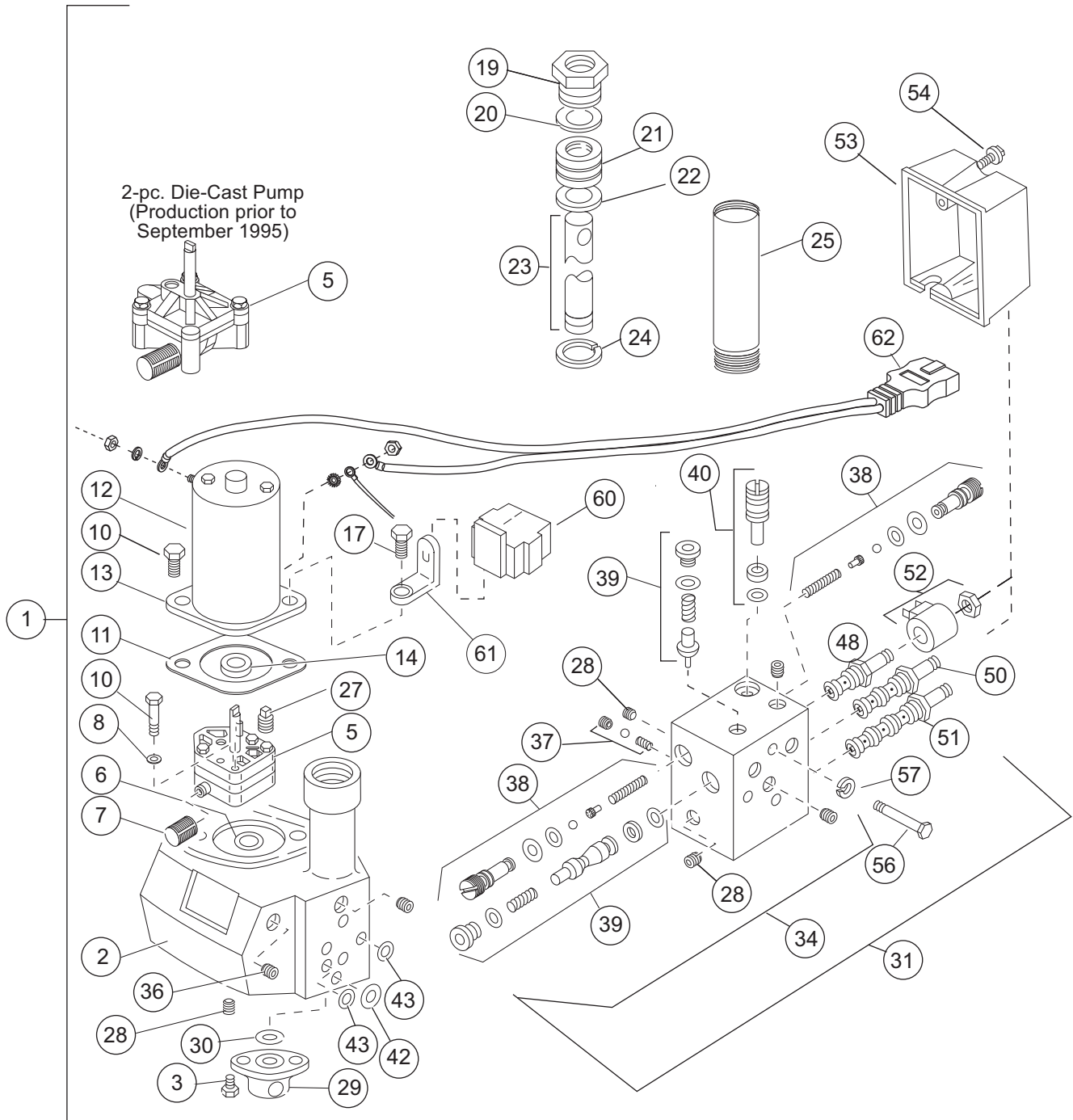


Wiring Harness



Item	Part #	Description	Quantity		
			8225	8240	8425
21	25944	Packing Nut – 1-1/2"	2	2	
	25948	Packing Nut – 2"			2
23	341K	Wiper – 1-1/2"	2	2	
	55210	Wiper – 2"			2
24	339K	Packing Set – 1-1/2"	2	2	
	3623	Packing Set – 2"			2
25	338	Washer – 1-1/2"	2	2	
	3621	Washer – 2"			2
27	6995	Split Bearing – 2"			2
	20118	Split Bearing – 1-1/2"	2	2	
70	66365	Solenoid Control	1	1	1
71	56283	Shield	1	1	1
72	8333	Body w/Label and Lens	1	1	1
73	7643	Lever, Spring & Actuator Kit	1	1	1
74	55923	Spring – Conical	1	1	1
75	8334	PC Board Assy (small plug)	1	1	1
76	56199	Base	1	1	1
77	90653	#6-19 x 3/8 SL HXW TFTG HI LO	2	2	2
78	5800	#8-18 x 5/8 SL HXW THFS BPD	2	2	2
NS	7718	Control Bracket	1	1	1
81	62440	9-Pin Harness			
	21232	9- Pin Harness			
	8276	12-Pin Harness			
	21234	12-Pin Harness			
85	66130	Rubber Grommet	2	2	2
86	59223	Nylon Tie	1	1	1
89	319	1/4" NPT x 90° Swivel Adapter	1	1	1
90	8127	1/4" NPT x 45° Swivel Adapter	1	1	1
91	376	32" HP Hose 1/4" P to 1/4" P	1		
	4424	36" HP Hose 1/4" P to 1/4" P		1	1
92	3074	22" HP Hose 1/4" P to 1/4" P	1		
	8728	28" HP Hose 1/4" P to 1/4" P		1	1
93	2780K	1/4" Brass Bar Street Ell (forged)	2	2	2
95	20116K	1-1/2 x 10 Cylinder Assy	2		
	20117K	1-1/2 x 12 Cylinder Assy		2	
	A5166K	2 x 16 Cylinder Assy			2
96	26981	1-1/2 x 10 Rod Assy	2		
	56715	1-1/2 x 12 Rod Assy		2	
	6995	2 x 16 Rod Assy			2
97	5758	Barrel – 1-1/2 x 10	2		
	5759	Barrel – 1-1/2 x 12		2	
	6996	Barrel – 2 x 16			2
ns = not shown					

SEHP PARTS EXPLODED



Item	Part #	Description	Quantity		
			8225	8240	8425
1	7616	SEHP 6" – 2500 PSI	1		
1	7923	SEHP 10" – 4000 PSI		1	
1	20905	SEHP 10" – 2500 PSI Commercial			1
2	49252	Service Housing Kit 1-1/2 x 6	1		
2	66271	Service Housing Kit 1-1/2 x 10		1	1
5	7049	Hydraulic Pump Kit	1	1	
5	7052	Commercial Hydraulic Pump Kit			1
22	338	Washer 1-1/2"	1	1	1
23	56717	Rod Assembly 1-1/2 x 6	1		
23	26981	Rod Assembly 1-1/2 x 10		1	1
25	66021	Barrel 1-1/2" EHP (10" only)		1	1
31	7623	Valve Manifold Assy Sol-2500	1		1
32	7921	Valve Manifold Assy Sol-4000		1	
33	66259	Manifold Assy – Sol 2500 (w/o cartridge)	1		1
34	7922	Manifold Assy – Sol 4000		1	
ns	66028	O-Ring-226 (10" only)		1	1

Item	Part #	Qty	Description	Item	Part #	Qty	Description
3	90649	2	5/16-18 x 1-1/4 HXW TRTS TY TR-3	44	7085	2	O-Ring-010
6	5821	1	O-Ring 115	45	5833	2	O-Ring-008
7	7053	1	Suction Filter	46	2605	2	O-Ring-006
8	90311	2	1/4" Plain Washer	47	7633	2	Back-up Ring-006 Parbak Split
10	90073	2	5/16-18 x 2-1/4 Hex Cap Screw Steel G5	48	7634	1	Cartridge 20 w/Jam Nut
11	5822	1	Gasket	50	7636	1	Cartridge 30 w/Jam Nut
12	A5819	1	Motor Assembly, 4-1/2" (See pg 6)	51	7637	1	Cartridge 40 w/Jam Nut
13	6577	1	Flange w/ Bearing & Seal	52	7639	3	Coil w/ Spade Terminal (1 shown)
14	49014	1	Oil Seal	53	56291	1	Cover Assy
17	90692	1	5/16 EX Tooth LK Washer	54	90650	2	8-18 x 1/2 SL HXW TFTS TY B
19	5763	1	Packing Nut 1-1/2"	55	90359	3	1/4" SP LK Washer (one shown)
20	341	1	Wiper Ring 1-1/2"	56	90083	3	1/4 – 20 x 3-1/4 Hex Cap Screw Steel G5
21	339	1	Packing Set 1-1/2"	58	90461	2	1/4 – 20 x 3/4 Hex Cap Screw Steel G5
24	20118K	1	Split Bearing 1-1/2"	60	8284	1	Cable Boot
27	92079	1	Plug 3/8" NPTF	61	8289	1	Boot Bracket
28	7622	5	Plug 1/8" NPTF Hex	62	8245	1	Plow Cable Assy
29	22345K	1	Base Lug	ns	90088	1	5/16-18 x 1/2 Hex Cap Screw Stainless
30	5823	1	O-Ring 216	ns	7632	1	Back-up O-Ring Kit Sol
36	92095	2	Plug 1/4" NPTF HX SO (1 shown)	ns	7625	3	3/8-24 HX SO O-Ring Boss Plug
37	49225	1	Inlet Check Valve Kit	ns	90350	2	1/4-20 PT HX LK Nut TI
38	7629	1	Cushion Valve Repair Kit-Set	ns	90625	2	5/16" Washer-Belleville
39	7630	1	Poppet Check Valve Kit	ns	90651	3	7/16" EX Tooth LK Washer
40	56330	1	Quill Assy	ns	90066	2	7/16-14 x 1-1/4 Hex Cap Screw Steel G5
42	3719	1	O-Ring -013	ns	7638	2	Seal Kit – Cartridge 30, 33, 40
43	5827	2	O-Ring-012	ns	7335	1	Seal Kit – Cartridge 20
ns = not shown				G = Grade			

Motor Manufacturer Identification and Service Parts
 Photos show terminal positions and end caps for brand identification.



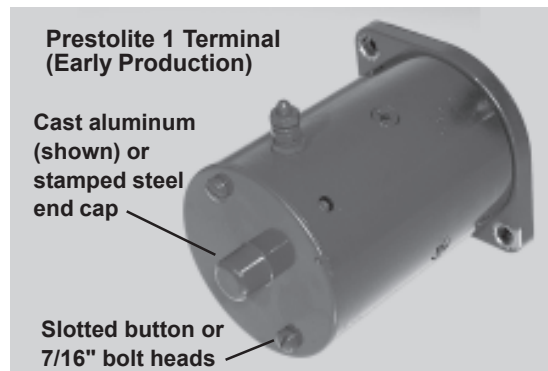
PART #	QTY	DESCRIPTION
56665	1	Brush Kit - BOSCH 2 Terminal
22342K	1	Motor Cap Screws
90359	2	Washer SP LK 1/4
21535	1	Washer, Fiber Thrust 5/8 (drive end)



PART #	QTY	DESCRIPTION
56666	1	END CAP W/ O-RING – PRESTOLITE 2 Terminal
27044K	1	Thru-Bolt Kit – PRESTOLITE 2 TERMINAL (Includes cap screws and special washers.)
56668	1	Thrust Washer KIT – PRESTOLITE 2 Terminal (Includes retaining ring for early production.)



PART #	QTY	DESCRIPTION
21548	1	Brush Kit – BOSCH 1 Terminal
22342K	1	Motor Cap Screws
90359	2	Washer SP LK 1/4
21535	1	Washer, Fiber Thrust 5/8 (drive end)



PART #	QTY	DESCRIPTION
49262	1	Brush Kit – PRESTOLITE 1 Terminal

Copyright © 2013 Douglas Dynamics, LLC. All rights reserved. This material may not be reproduced or copied, in whole or in part, in any printed, mechanical, electronic, film or other distribution and storage media, without the written consent of Fisher Engineering. Authorization to photocopy items for internal or personal use by Fisher Engineering outlets or snowplow owner is granted.

Fisher Engineering reserves the right under its product improvement policy to change construction or design details and furnish equipment when so altered without reference to illustrations or specifications used. Fisher Engineering or the vehicle manufacturer may require or recommend optional equipment for snow removal. Do not exceed vehicle ratings with a snowplow. Fisher Engineering offers a limited warranty for all snowplows and accessories. See separately printed page for this important information. The following is a registered (®) trademark of Douglas Dynamics, LLC: FISHER®.

Printed in U.S.A.