

# M Series Blade Components

7-1/2' Blade 27500

8' Blade 28000

8-1/2' Blade 28500

9' Blade 29000

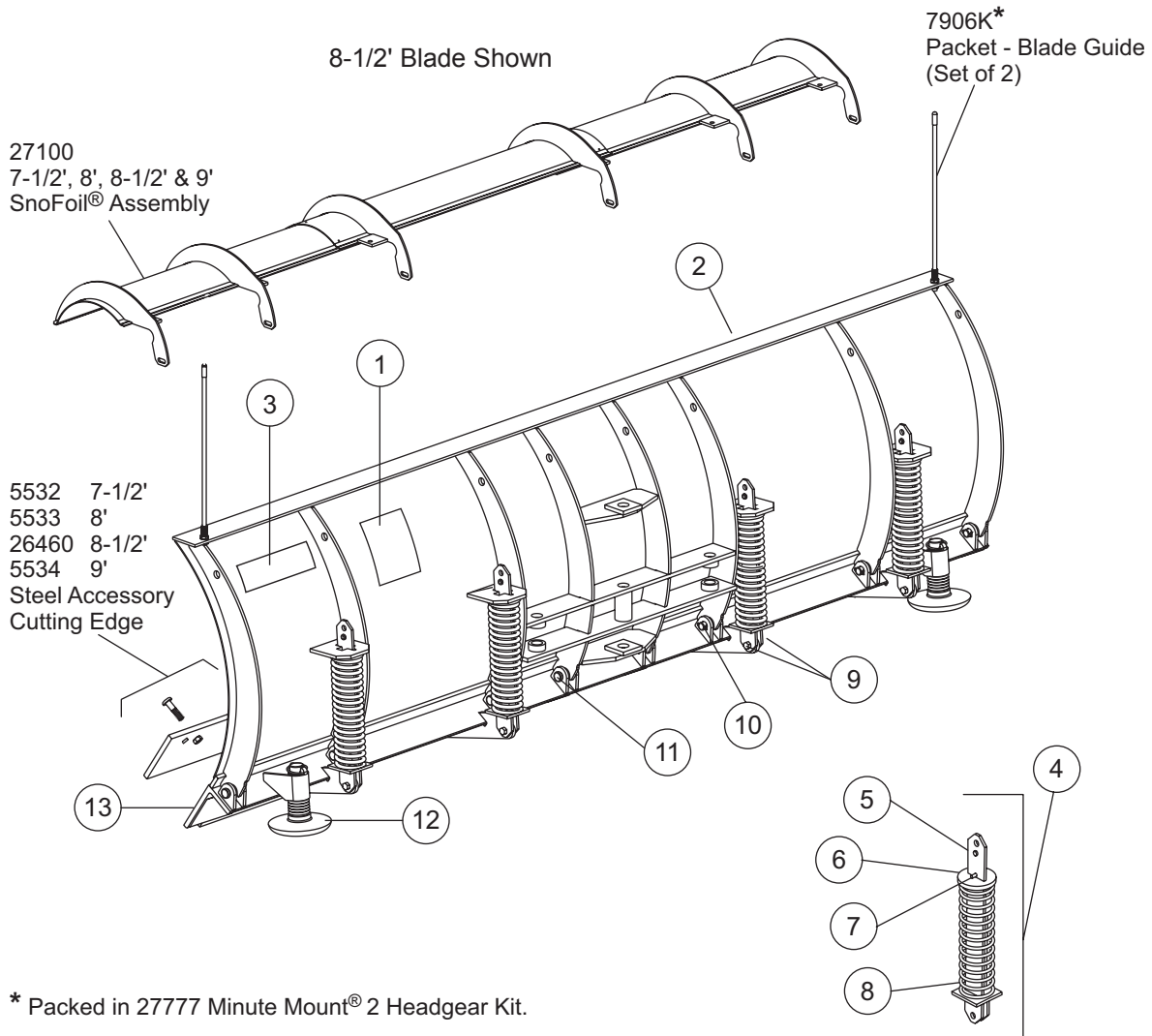


**Fisher Engineering**

P.O. Box 529 Rockland, Maine 04841

June 15, 2005

Lit. No. 26093, Rev. 07



M Series Blade Components					
Item	Part	Description	Item	Part	Description
1	59900	Label – Information (Warning)	9	26656K	Packet – Shoulder Bolt w/Locknut
2	20238	Decal – Splatter 13-1/4 x 14-1/2	10	90658	5/32 x 1-1/4 Cotter Pin
3	26211	Label – Identity, STORM GUARD™	11	5523K	3/4 x 2-3/16 Machine Pin w/Cotter
4	26464	Removable Spring Assembly	12	26523	Shoe Assembly – 6" Solid Cast
5	20757	Removable Spring Bar	13	29440	7-1/2' Base Angle
6	20191	Removable Spring Disc		26441	8' Base Angle
7	20181	1/4 x 1-1/4 Pin		26442	8-1/2' Base Angle
8	27406	Trip Spring		26443	9' Base Angle

# **M Series Blade Components**

**7-1/2' Blade 27500**

**8' Blade 28000**

**8-1/2' Blade 28500**

**9' Blade 29000**

---

Copyright © 2005 Douglas Dynamics, L.L.C. All rights reserved. This material may not be reproduced or copied, in whole or in part, in any printed, mechanical, electronic, film or other distribution and storage media, without the written consent of Fisher Engineering. Authorization to photocopy items for internal or personal use by Fisher Engineering outlets or snowplow owner is granted.

Fisher Engineering reserves the right under its product improvement policy to change construction or design details and furnish equipment when so altered without reference to illustrations or specifications used. Fisher Engineering and the vehicle manufacturer may require and/or recommend optional equipment for snow removal. Do not exceed vehicle ratings with a snowplow. Fisher Engineering offers a limited warranty for all snowplows and accessories. See separately printed page for this important information. The following are registered (®) or unregistered (™) trademarks of Douglas Dynamics, L.L.C.: FISHER®, Minute Mount® 2, SnoFoil®, STORM GUARD™.

**Printed in U.S.A.**