



Fisher Engineering

P.O. Box 529 Rockland, Maine 04841

MC Series Blade Components

9' MC 29250

10' MC 29350

May 1, 2005

Lit. No. 26945, Rev. 01

9' MC Blade Shown

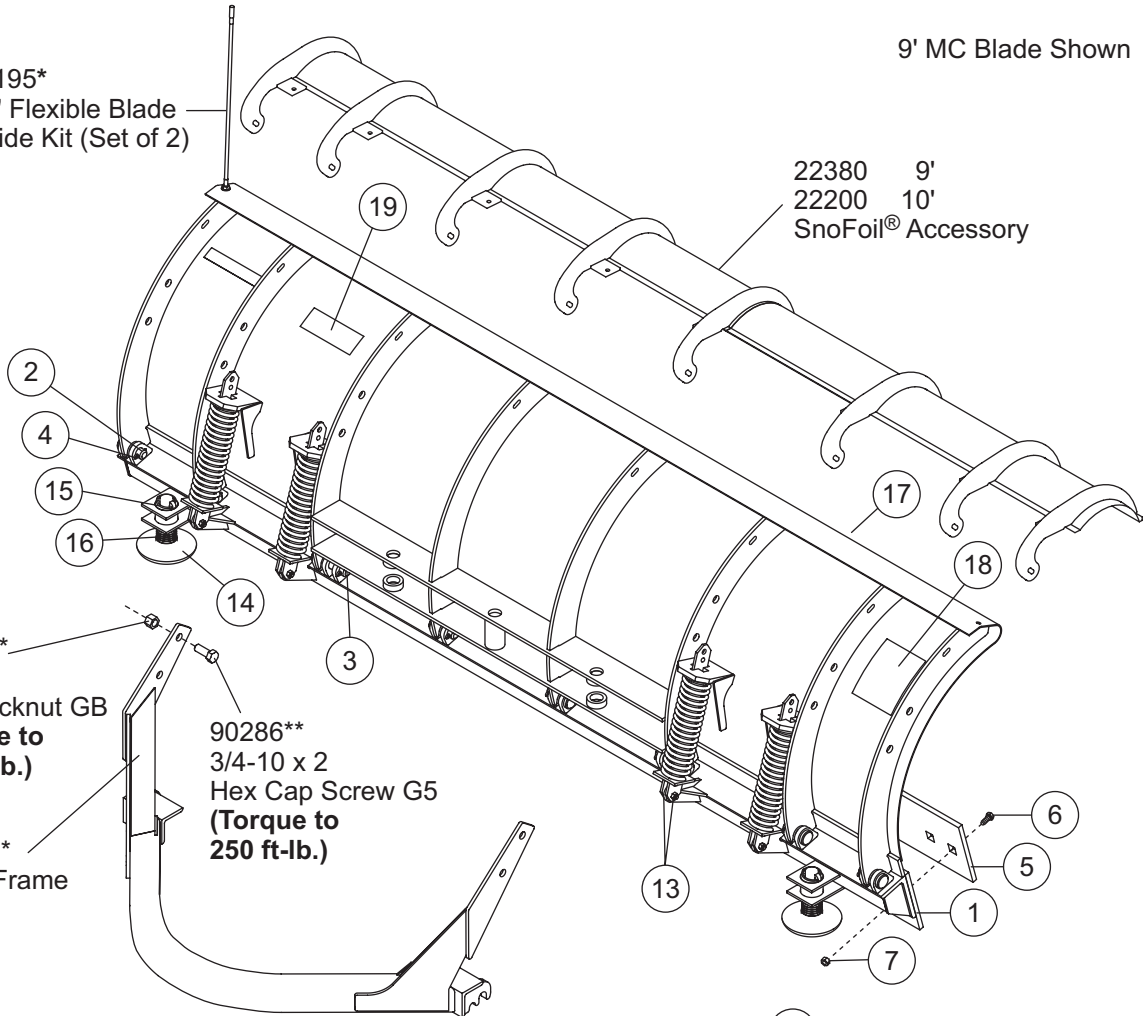
27195*
26" Flexible Blade
Guide Kit (Set of 2)

22380 9'
22200 10'
SnoFoil® Accessory

90645**
3/4-10
Hex Locknut GB
(Torque to
250 ft-lb.)

90286**
3/4-10 x 2
Hex Cap Screw G5
(Torque to
250 ft-lb.)

28639**
Angle Frame

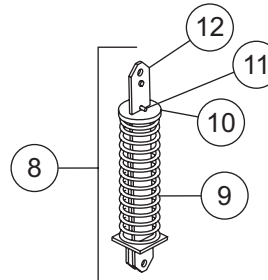
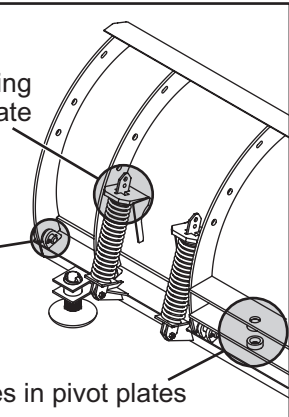


BLADE ID

1/2" thick spring
anchor plate

1" diameter
clevis pins
(measured at
cotter pin end)

No notches in pivot plates



* Packed in 29999 Minute Mount® 2 Common Attachment Kit.

** Packed in 28665 A-Frame – Angle Frame Kit.

This parts list is for FISHER® MC Series Blades produced after December 2004.

MC Series Blade Components

9' MC 29250

10' MC 29350

Blade Components				
Item	Part	Description	Qty	
			9'	10'
1	26949	9' Base Angle	1	-
	26950	10' Base Angle	-	1
2	27241	1 x 2-3/4 Clevis Pin w/Cotter	6	6
3	7903K	1 x 4 Anchor Pin w/Cotter	2	2
4	90607	1/4 x 1-3/4 Cotter Pin	8	8
5	27362	Cutting Edge Kit - 9'	1	-
	27238	Cutting Edge Half w/Hardware - 10'	-	2
	27239	Cutting Edge (2) w/Hardware - 10'	-	1
6	98034	3/4-10 x 2 Carriage Bolt G5	11	10
7	90645	3/4-10 Hex Locknut GB	11	10
8	21452	Removable Spring Assembly	4	6
9	5323	Trip Spring	4	6
10	20191	Removable Spring Disc	4	6
11	20181	1/4 x 1-1/4 Pin	4	6
12	21450	Removable Spring Bar	4	6
13	26656K	Shoulder Bolt w/Locknut	4	6
14	26523	Shoe Assembly - 6" Solid Cast	2	4
15	308K	Shoe Pin Packet (1)	2	4
16	7902K	Shoe Spacer Packet (5)	2	4
17	20238	Decal - Splatter 13-1/4 x 14-1/2	1	1
18	59900	Label - Information (Warning)	1	1
19	26211	Label - Identity, STORM GUARD™	1	1
G = grade				

Copyright © 2005 Douglas Dynamics, L.L.C. All rights reserved. This material may not be reproduced or copied, in whole or in part, in any printed, mechanical, electronic, film or other distribution and storage media, without the written consent of Fisher Engineering. Authorization to photocopy items for internal or personal use by Fisher Engineering outlets or snowplow owner is granted.

Fisher Engineering reserves the right under its product improvement policy to change construction or design details and furnish equipment when so altered without reference to illustrations or specifications used. Fisher Engineering and the vehicle manufacturer may require and/or recommend optional equipment for snow removal. Do not exceed vehicle ratings with a snowplow. Fisher Engineering offers a limited warranty for all snowplows and accessories. See separately printed page for this important information. The following are registered (®) trademarks of Douglas Dynamics, L.L.C.: FISHER®, Minute Mount® 2, SnoFoil®, STORM GUARD™.