

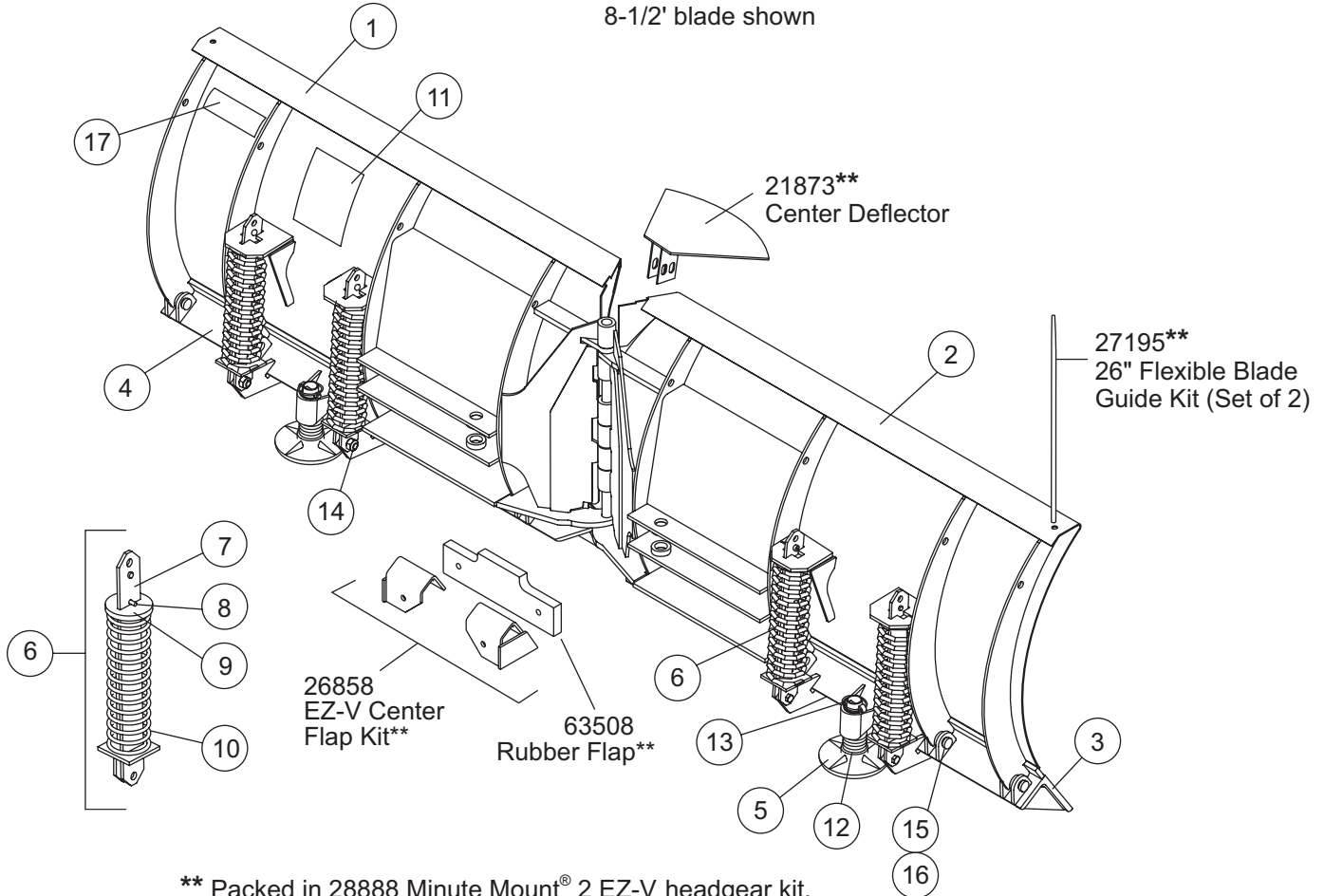


**Fisher Engineering**

P.O. Box 529 Rockland, Maine 04841

**EZ-V® Snowplow Components**  
**8-1/2' Blade 28885**  
**9-1/2' Blade 28895**

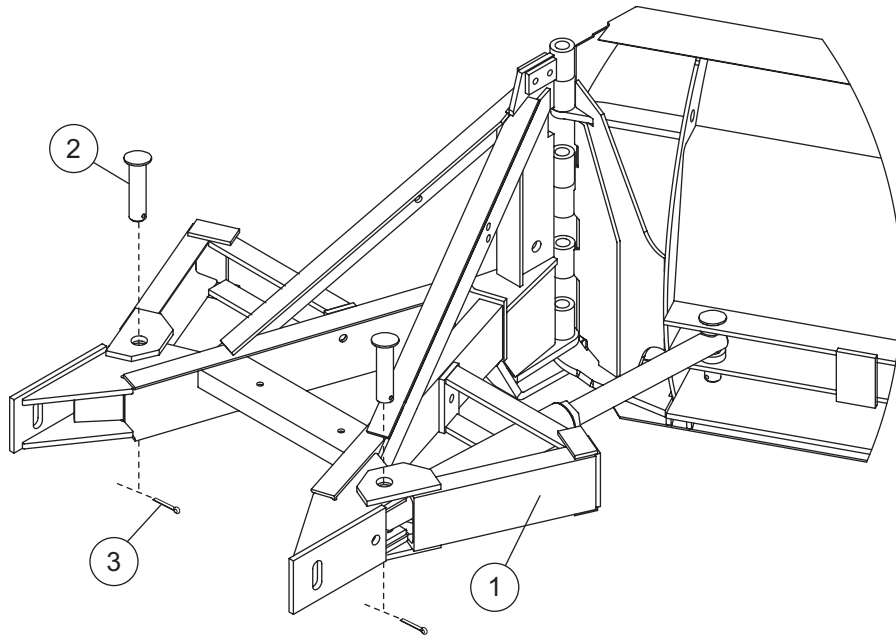
February 15, 2005  
 Lit. No. 27592



\*\* Packed in 28888 Minute Mount® 2 EZ-V headgear kit.

EZ-V® Snowplow Components					
Item	Part	Description	Item	Part	Description
1	21569	Blade Half 8-1/2' EZ-V DS	11	59900	Label – Information (Warning)
	26599	Blade Half 9-1/2' EZ-V DS	12	7902K	Shoe Spacer Packet (5)
2	21570	Blade Half 8-1/2' EZ-V PS	13	308K	Shoe Pin Packet (1)
	26600	Blade Half 9-1/2' EZ-V PS	14	26656K	Packet - Shoulder Bolt and Locknut
3	21565	Base Angle 8-1/2' EZ-V PS	15	5523K	3/4 x 2-3/16 Machine Pin w/Cotter
	26598	Base Angle 9-1/2' EZ-V PS	16	90658	5/32 x 1-1/4 Cotter Pin
4	21564	Base Angle 8-1/2' EZ-V DS	17	26211	Label – Identity, STORM GUARD™
	26597	Base Angle 9-1/2' EZ-V DS	ns	27400	A-Frame Assembly
5	26523	Shoe Assembly – 6" Solid Cast	ns	20238	Decal – Splatter 13-1/4 x 14-1/2
6	21452	Removable Spring Assembly	*	26634	Blade Stop Kit (9-1/2' Only)
7	21450	Removable Spring Bar	ns**	21608	Cutting Edge Single w/Hardware 8-1/2'
8	20181	1/4 x 1-1/4 Pin	ns**	21609	Cutting Edge Kit w/Hardware 8-1/2'
9	20191	Removable Spring Disc	ns**	26595	Cutting Edge Single w/Hardware 9-1/2'
10	5323	Trip Spring	ns**	26593	Cutting Edge Kit w/Hardware 9-1/2'
ns = not shown			* shown on page 2		** optional kit

**EZ-V® Snowplow Components**  
**8-1/2' Blade 28885**  
**9-1/2' Blade 28895**



<b>26634 EZ-V Snowplow Blade Stop Kit (9-1/2' Blade Only)</b>							
Item	Part	Qty	Description	Item	Part	Qty	Description
1	26583	2	Blade Stop	ns	26651	1	Bolt Bag
<b>26651 Bolt Bag</b>							
2	6817	2	1 x 6 Pivot Pin	ns	90210	2	1/2-13 x 1-1/2 Hex Cap Screw G5
3	90013	2	1/4 x 2 Cotter Pin	ns	91335	2	1/2-13 Hex Locknut GB
ns = not shown							

Copyright © 2005 Douglas Dynamics, L.L.C. All rights reserved. This material may be not reproduced or copied, in whole or in part, in any printed, mechanical, electronic, file or other distribution and storage media, without the written consent of Fisher Engineering. Authorization to photocopy items for internal or personal use by Fisher Engineering outlets or snowplow owner is granted.

Fisher Engineering reserves the right under its product improvement policy to change construction or design details and furnish equipment when so altered without reference to illustrations or specifications used. Fisher Engineering and the vehicle manufacturer may require and/or recommend optional equipment for snow removal. Do not exceed vehicle ratings with a snowplow. Fisher Engineering offers a limited warranty for all snowplows and accessories. See separately printed page for this important information. The following are registered (®) or unregistered (™) trademarks of Douglas Dynamics, L.L.C.: EZ-V®, FISHER®, Minute Mount® 2, STORM GUARD™.

**Printed in U.S.A.**