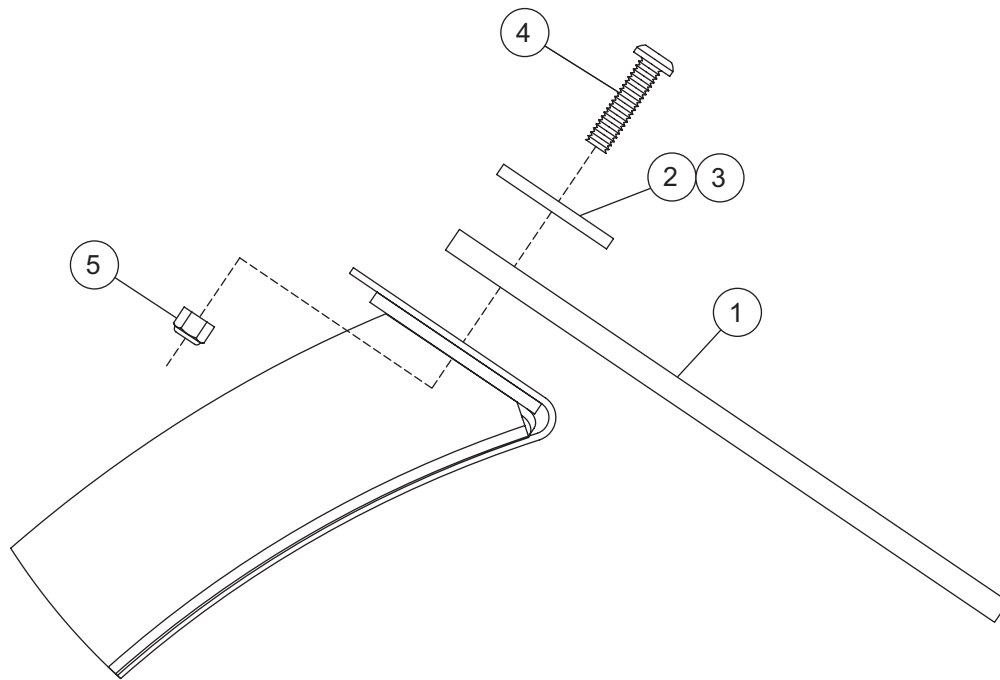




## Rubber Deflector for 8' & 9' XBLADE™ Snowplows



27600 Rubber Deflector Kit – XBLADE			
Item	Part	Qty	Description
1	27610	1	Deflector Rubber – XBLADE
2	27602	2	Deflector Bar – 47.75
3	27603	2	Deflector Bar – 5.75
ns	27604	1	Bolt Bag for 27600
27604 Bolt Bag for 27600			
4		10	3/8-16 x 1.500 Button Head Machine Screw, Torx Socket
5		10	3/8-16 Brass, Nylon-Insert Locknut

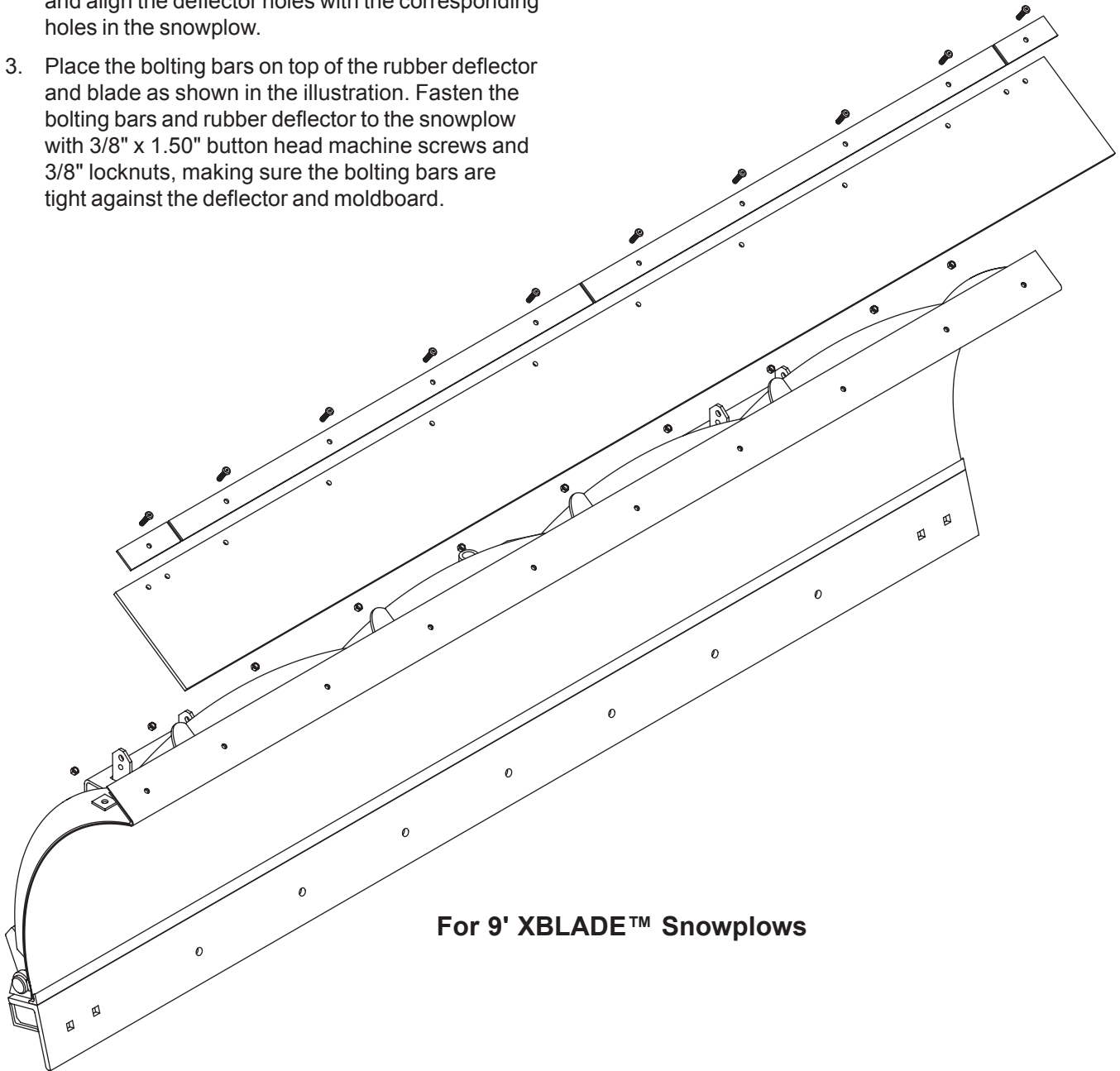
### **⚠ WARNING**

Do not exceed GVWR or GAWR including blade and ballast. The rating label is found on the driver-side vehicle door cornerpost.

**NOTE:** See your FISHER® outlet for application recommendations. The Kit Selection Guide has specific vehicle and snowplow requirements.

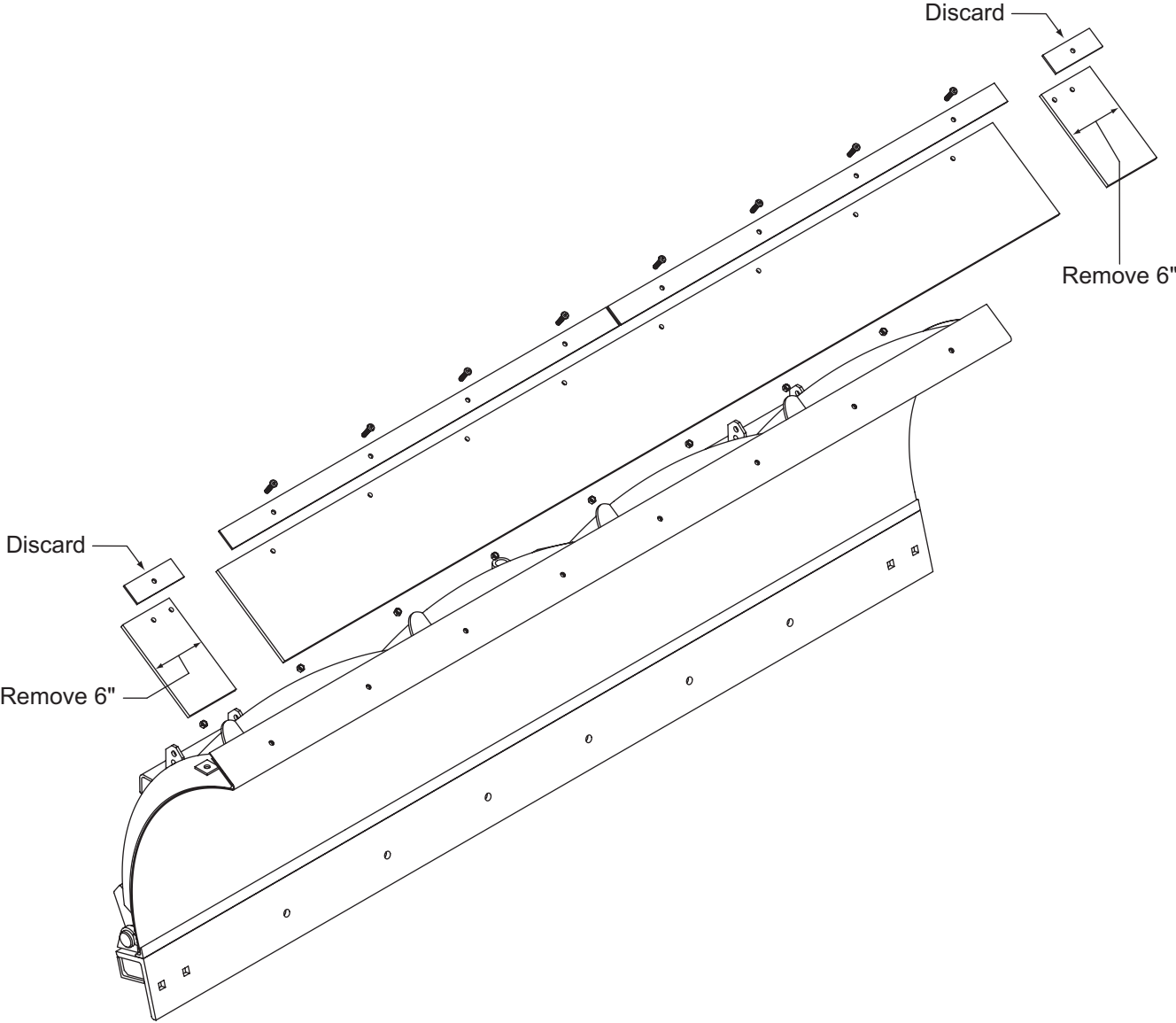
## INSTALLATION INSTRUCTIONS

1. Starting from the driver side, remove half of the 3/8" x 1" button head machine screws that attach the stainless steel moldboard to the blade frame (the first four bolts for the 8' snowplow and the first five bolts for the 9' snowplow).
2. Place the rubber deflector on top of the moldboard and align the deflector holes with the corresponding holes in the snowplow.
3. Place the bolting bars on top of the rubber deflector and blade as shown in the illustration. Fasten the bolting bars and rubber deflector to the snowplow with 3/8" x 1.50" button head machine screws and 3/8" locknuts, making sure the bolting bars are tight against the deflector and moldboard.
4. Remove the remainder of the 3/8" x 1" button head machine screws from the blade and repeat the previous step for the passenger side.
5. **8' XBLADE™ snowplows:** After completing the installation, trim the rubber deflector as shown in illustration on page 3.



For 9' XBLADE™ Snowplows

For 8' XBLADE™ Snowplows



Copyright © 2003 Douglas Dynamics, L.L.C. All rights reserved. This material may not be reproduced or copied, in whole or in part, in any printed, mechanical, electronic, film or other distribution and storage media, without the written consent of Fisher Engineering. Authorization to photocopy items for internal or personal use by Fisher Engineering outlets or snowplow owner is granted.

Fisher Engineering reserves the right under its product improvement policy to change construction or design details and furnish equipment when so altered without reference to illustrations or specifications used. Fisher Engineering and the vehicle manufacturer may require and/or recommend optional equipment for snow removal. Do not exceed vehicle ratings with a snowplow. Fisher Engineering offers a limited warranty for all snowplows and accessories. See separately printed page for this important information. The following are registered (®) and unregistered (™) trademarks of Douglas Dynamics, L.L.C.: FISHER®, XBLADE™.

**Printed in USA**