

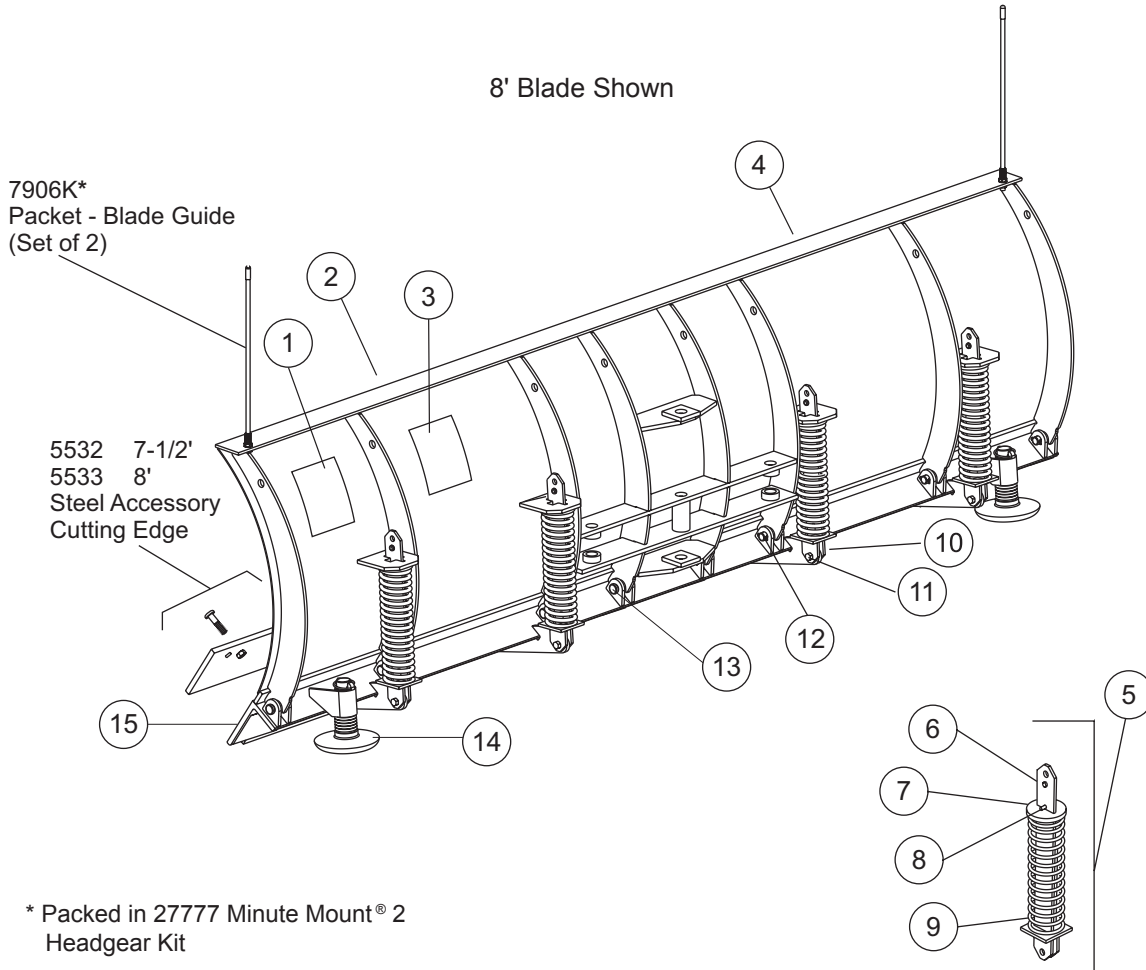


**Fisher Engineering**

P.O. Box 529 Rockland, Maine 04841

**"Patriots™" Blade Components**  
**7-1/2' RD "M" Blade 27500P**  
**8' HD "M" Blade 28000P**

July 18, 2002  
 Lit. No. 27698



\* Packed in 27777 Minute Mount® 2  
 Headgear Kit

"Patriots" Blade Components					
Item	Part	Description	Item	Part	Description
1	27734	Label – Limited Edition	10	91003	7/16-14 Shoulder Bolt G5
2	27733	Label – Patriot	11	90353	7/16-14 Hex Locknut GB
3	59900	Label – Information (Warning)	12	90658	5/32 x 1-1/4 Cotter Pin
4	20238	Decal – Splatter, 13-1/4 x 14-1/2	13	5523K	3/4 x 2-3/16 Machine Pin
5	26464	Removable Spring Assembly	14	26523	Shoe Assembly – 6" Solid Cast
6	20757	Removable Spring Bar	15	26440	7-1/2' Base Angle
7	20191	Removable Spring Disc		26441	8' Base Angle
8	20181	1/4 x 1-1/4 Pin	ns	27700	Paint, Spray Acrylic, 12 oz. Silver
9	27406	Trip Spring			

ns = not shown

**"Patriots" Blade Components**  
**7-1/2' RD "M" Blade 27500P**  
**8' HD "M" Blade 28000P**

---

Copyright © 2002 Douglas Dynamics, L.L.C. All rights reserved. This material may not be reproduced or copied, in whole or in part, in any printed, mechanical, electronic, film or other distribution and storage media, without the written consent of Fisher Engineering. Authorization to photocopy items for internal or personal use by Fisher Engineering outlets is granted.

Fisher Engineering reserves the right under its product improvement policy to change construction or design details and furnish equipment when so altered without reference to illustrations or specifications used herein. Fisher Engineering and the vehicle manufacturer may require and/or recommend optional equipment for snow removal. Fisher Engineering offers a limited warranty for all snowplows and accessories. See separately printed page for this important information. The following is a registered (®) trademark of Douglas Dynamics, L.L.C.: FISHER®. The New England Patriots and Patriots logo are the official property of the New England Patriots L.P.

**Printed in USA**