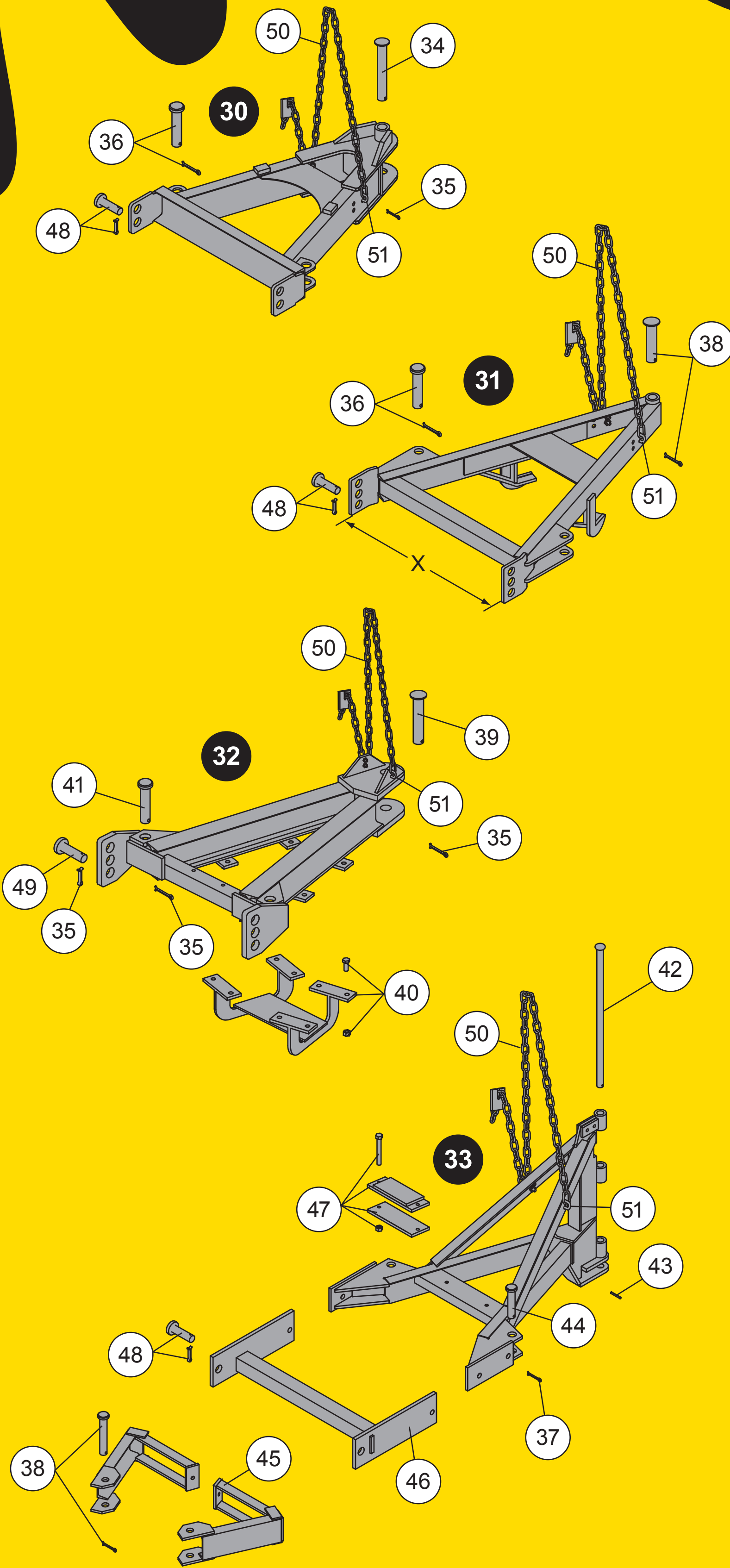
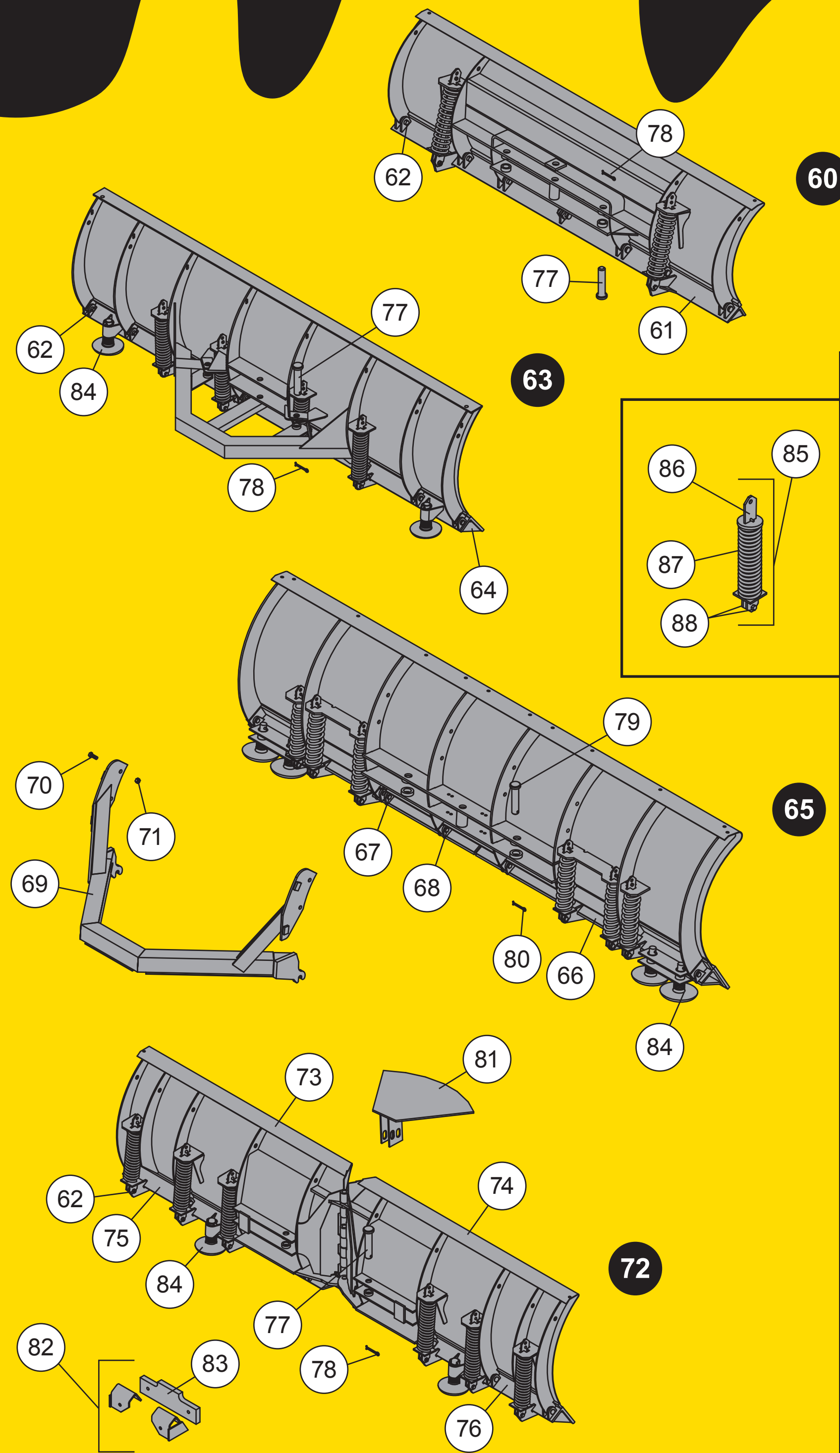


\*\* RD headgear shown. LD, HD, MC and EZ-V<sup>®</sup> parts may look different. \*\*

HEADGEAR		
Item	Part	Description
1	21920	Lift Arm
2	22341	Headgear (6'-9" LD)
22090	Headgear (7-1/2' LD)	
8580	Headgear (RD/HD)	
8480	Headgear (HD)	
20758	Headgear (MC)	
-	Headgear (EZ-V <sup>®</sup> )	
3	8514	Headgear Brace (RD/HD, HD, MC, EZ-V)
4	-	Lower Gear (6'-9" LD)
8561	Lower Gear (7-1/2' LD, RD/HD)	
8533	Lower Gear (HD, EZ-V)	
20759	Lower Gear (MC)	
5	8202	Release Rod (6'-9" & 7-1/2' LD)
8551	Release Rod (RD/HD, HD, MC, EZ-V)	
8183	Jack Support (6'-9" & 7-1/2' LD)	
20487	Jack Support (RD/HD)	
20488	Jack Support (HD, MC, EZ-V)	
7	8184	Jack Leg (6'-9" & 7-1/2' LD)
20490	Jack Leg (RD/HD)	
20491	Jack Leg (HD, MC, EZ-V)	
8	27164K	Jack Handle Kit
9	8180	Jack Lever (6'-9" & 7-1/2' LD)
8499K	Jack Lever (RD/HD, HD, MC, EZ-V)	
10	7794	1/2 OD x 2 Compression Spring
10	90658	5/32 x 1-1/4 Cotter Pin
11	20185	Torsion Spring Kit
12	6920K	Connecting Pin Kit
13	6815	Connecting Pin w/Handle
14	821	1 ID x 3-1/2 Compression Spring
16	8498	Rolling Bar (7-1/2' LD, RD/HD, HD, MC, EZ-V)
17	8741	Cable Boot Bracket
18	8284K	Cable Boot
19	4289K	3/4 x 1-7/8 Machine Pin w/Cotter Pin
20	7904K	Clevis Pin w/Cotter Pin

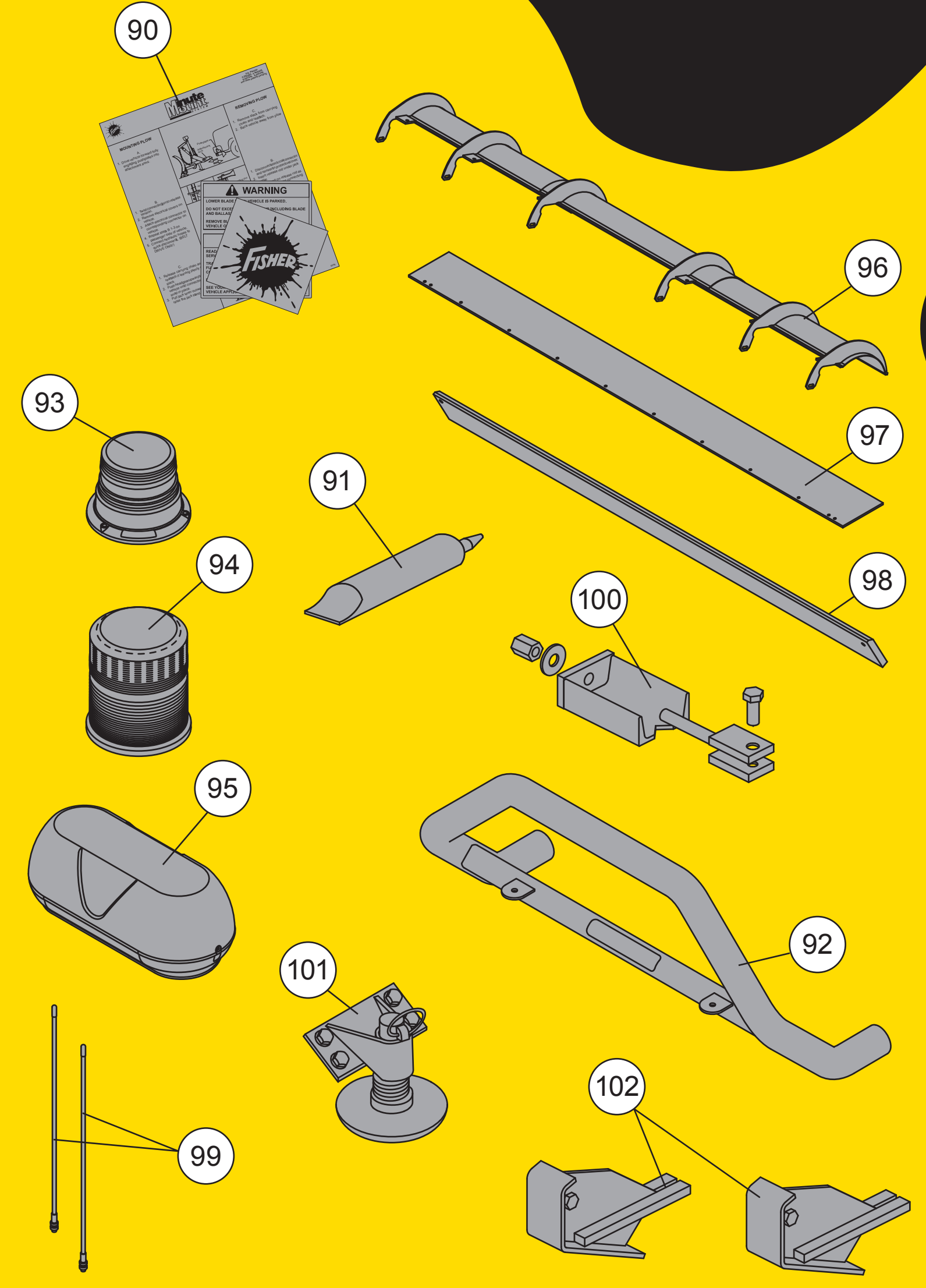


A-FRAMES					
Item	Part	Description	Item	Part	Description
30	22169	A-Frame w/Hardware (LD 19-1/4")			
22175	A-Frame w/Hardware (LD 22-1/2")				
31	8562	A-Frame w/Hardware (RD - X = 22-1/2")			
22168	A-Frame w/Hardware (HD - X = 22-1/2")				
8627	A-Frame w/Hardware (HD - X = 25-1/8")				
32	20703-1	A-Frame Kit w/Hardware and Angle Frame Guide (MC)			
33	21874-3	A-Frame (EZ-V <sup>®</sup> )			
34	22259	1 x 8-3/4 Pivot Pin			
35	90013	1/4 x 2 Cotter Pin			
36	7903K	Anchor Pin w/Cotter Pin			
37	90601	1/4 x 1-1/2 Cotter Pin			
38	7905K	Pivot Pin w/Cotter Pin			
39	20789	1-1/4 x 6-3/4 Commercial Pivot Pin			
40	20775	Commercial Angle Frame Guide			
41	20790	Commercial Ram Pin			
42	20988	V-Plow Pivot Pin			
43	26463	1/4 x 2 Slotted Spring Pin			
44	22260	1 x 4-3/4 Clevis Pin			
45	26583	Blade Stop			
46	21484-1	Push Assembly			
47	22161	A-Frame Stop Kit			
48	7904K	Clevis Pin w/Cotter Pin			
49	5150	1-1/4 x 4-7/8 Anchor Pin			
50	8229	Chain Bag (LD)			
50	8565	Chain Bag (RD)			
50	8555	Chain Bag (HD, EZ-V)			
51	-	Chain Bag (MC)			
51	A6148K	U-Bolt w/Hardware			



BLADES					
Item	Part	Description	Item	Part	Description
60	-	6'-9" Blade <sup>®</sup> (LD)			
61	22180	6'-9" Base Angle (LD)			
22181	7-1/2' Base Angle (LD)				
62	5523K	3/4 x 2-3/16 Machine Pin w/Cotter Pin			
63	-	7' L-Series Blade <sup>®</sup> (RD)			
-	-	7-1/2' L-Series Blade <sup>®</sup> (RD)			
-	-	8' L-Series Blade <sup>®</sup> (HD)			
-	-	8-1/2' L-Series Blade <sup>®</sup> (HD)			
-	-	9' L-Series Blade <sup>®</sup> (HD)			
64	7869	7' Base Angle (RD)			
7867	7-1/2' Base Angle (RD)				
7868	8' Base Angle (HD)				
26885	8-1/2' Base Angle (HD)				
7869	9' Base Angle (HD)				
65	-	9' Blade <sup>®</sup> (MC)			
-	-	10' Blade <sup>®</sup> (MC)			
66	22369	9' Base Angle (MC <sup>1</sup> )			
27259	9' Base Angle (MC <sup>2</sup> )				
20628	10' Two-Piece Base Angle - DS (MC <sup>1</sup> )				
20629	10' Two-Piece Base Angle - PS (MC <sup>1</sup> )				
27240	10' One-Piece Base Angle (MC <sup>2</sup> )				
67	20639K	3/4 x 3-15/32 Machine Pin w/Cotter Pin <sup>1</sup>			
7903K	Anchor Pin w/Cotter Pin <sup>2</sup>				
68	5523K	3/4 x 2-3/16 Machine Pin w/Cotter Pin <sup>1</sup>			
27241	1 x 2-3/4 Clevis Pin w/Cotter Pin <sup>2</sup>				
69	20702	Angle Frame (MC <sup>2</sup> )			
70	90127	5/8-11 x 1-1/2 Hex Cap Screw G5			
71	91337	5/8-11 Hex Locknut GB			
72	-	8-1/2' EZ-V <sup>®</sup> Blade			
73	21569	8-1/2' Blade Half - DS (EZ-V)			
26599	9-1/2' Blade Half - DS (EZ-V)				
74	21570	8-1/2' Blade Half - PS (EZ-V)			
26600	9-1/2' Blade Half - PS (EZ-V)				
75	21564	8-1/2' Base Angle - DS (EZ-V)			
26597	9-1/2' Base Angle - DS (EZ-V)				
76	21565	8-1/2' Base Angle - PS (EZ-V)			
26598	9-1/2' Base Angle - PS (EZ-V)				
77	22260	1 x 4-3/4 Clevis Pin			
78	90601	1/4 x 1-1/2 Cotter Pin			
79	20790	Commercial Ram Pin			
80	90013	1/4 x 2 Cotter Pin			
81	-	Center Deflector (bolted A-Frame)			
82	26858	Center Deflector			
83	63508	Center Flap Kit			
84	26523	6" Solid Cast Shoe Assembly (RD, HD, MC <sup>2</sup> , EZ-V)			
85	A5517	7" Anti-Wear Shoe Assembly (MC <sup>1</sup> )			
86	20757	Removable Spring Bar (LD, RD, HD, 10' MC <sup>2</sup> )			
21450	Removable Spring Bar (9' MC, 10' MC <sup>2</sup> , EZ-V)				
87	27406	Trip Spring (LD, RD, HD, 10' MC <sup>2</sup> )			
5323	Trip Spring (9' MC, 10' MC <sup>2</sup> , EZ-V)				
88	40905	Shoulder Bolt w/Locknut			

<sup>1</sup> = Distinguished by a 3/4" base angle pin and a 3/8" Top Anchor; 10' blade has a two-piece base angle  
<sup>2</sup> = Distinguished by a 1" base angle pin and a 1/2" Top Anchor; 10' blade has a one-piece base angle  
<sup>3</sup> = Complete blade no longer manufactured.



ACCESSORIES					
Item	Part	Description	Item	Part	Description
90	28549	Universal Label Replacement Kit			
91	22400K	2 oz Dielectric Grease Tube			
92	26239	ProTube <sup>™</sup> Bumper/Grille Guard - Stainless			
26240	ProTube Bumper/Grille Guard - Black				
93	26018-1	Mini Strobe Light			
94	26019	Full-Size Strobe Light			
95	26020-1	Mini Bar Light			
96	8251	7-1/2' SnoFoil <sup>®</sup> Assembly (RD)			
8252	8' SnoFoil Assembly (HD)				
26880	8-1/2' SnoFoil Assembly (HD)				
8253	9' SnoFoil Assembly (HD)				
22380	9' SnoFoil Assembly (MC)				
22200	10' SnoFoil Assembly (MC)				
97	22470-1	7-1/2', 8', 8-1/2' & 9' Rubber Deflector (LD, SD, RD, HD)			
21619	8-1/2' Rubber Deflector (EZ-V <sup>®</sup> )				
26572	9-1/2' Rubber Deflector (EZ-V)				
22390	9' & 10' Rubber Deflector (MC)				
22269	6'-9" Steel Deflector (LD)				
283	7-1/2' Steel Deflector (LD, RD)				
26480	8' Steel Deflector (HD)				
26485	8-1/2' Steel Deflector (HD)				
26490	9' Steel Deflector (HD, MC)				
98	22216	6'-9" Poly Cutting Edge (LD, SD)			
5532	7-1/2' Steel Cutting Edge (LD, SD, RD, HD)				
5533	8' Steel Cutting Edge (HD)				
26460	8-1/2' Steel Cutting Edge (HD)				
5534	9' Steel Cutting Edge (HD)				
28408	9-1/2' Steel Cutting Edge (EZ-V)				
26593	9-1/2' Steel Cutting Edge (EZ-V)				
27362	9' Steel Cutting Edge (MC)				
27239	10' Steel Cutting Edge - 2 Sections (MC)				
99	27195	26" Flexible Blade Guide Set (LD, MC, EZ-V)			
7906K	Blade Guide Set (RD, HD)				
26530K	Commercial Blade Guide Set (All)				
100	20043	Spring Replacement Tool			
101	26145	Shoe Kit (LD, SD)			
102	20555	Skid Plate Kit			
ns	26812-1	Plow Parka			
ns	5242	12 oz Yellow Spray Paint (Painted Blades)			
ns	20498	12 oz Black Spray Paint (Powder-Coat)			
ns	27242	12 oz Yellow Spray Paint (Powder-Coat)			
ns	5492Y	1 quart Yellow Paint Can			
ns	5490Y	1 gallon Yellow Paint Can			
ns	28531	1 quart EZ Flow Hydraulic Fluid			
ns	28532	1 gallon EZ Flow Hydraulic Fluid			

Copyright © 2009 Douglas Dynamics, L.L.C. All rights reserved. This material may not be reproduced or copied, in whole or in part, in any printed, mechanical, electronic, film or other distribution and storage media, without the written consent of Fisher Engineering. Authorization to photocopy items for internal or personal use by Fisher Engineering outlets or snowplow owner is granted.

Fisher Engineering reserves the right under its product improvement policy to change construction or design details and furnish equipment when so altered without reference to illustrations or specifications used. Fisher Engineering or the vehicle manufacturer may require or recommend optional equipment for snow removal. Do not exceed vehicle ratings with a snowplow. Fisher Engineering offers a limited warranty for all snowplows and accessories. See separately printed page for this important information. The following are registered (®) or unregistered (™) trademarks of Douglas Dynamics, L.L.C.: EZ-V<sup>®</sup>, FISHER<sup>®</sup>, Minute Mount<sup>®</sup>, ProTube<sup>™</sup>, SnoFoil<sup>®</sup>.