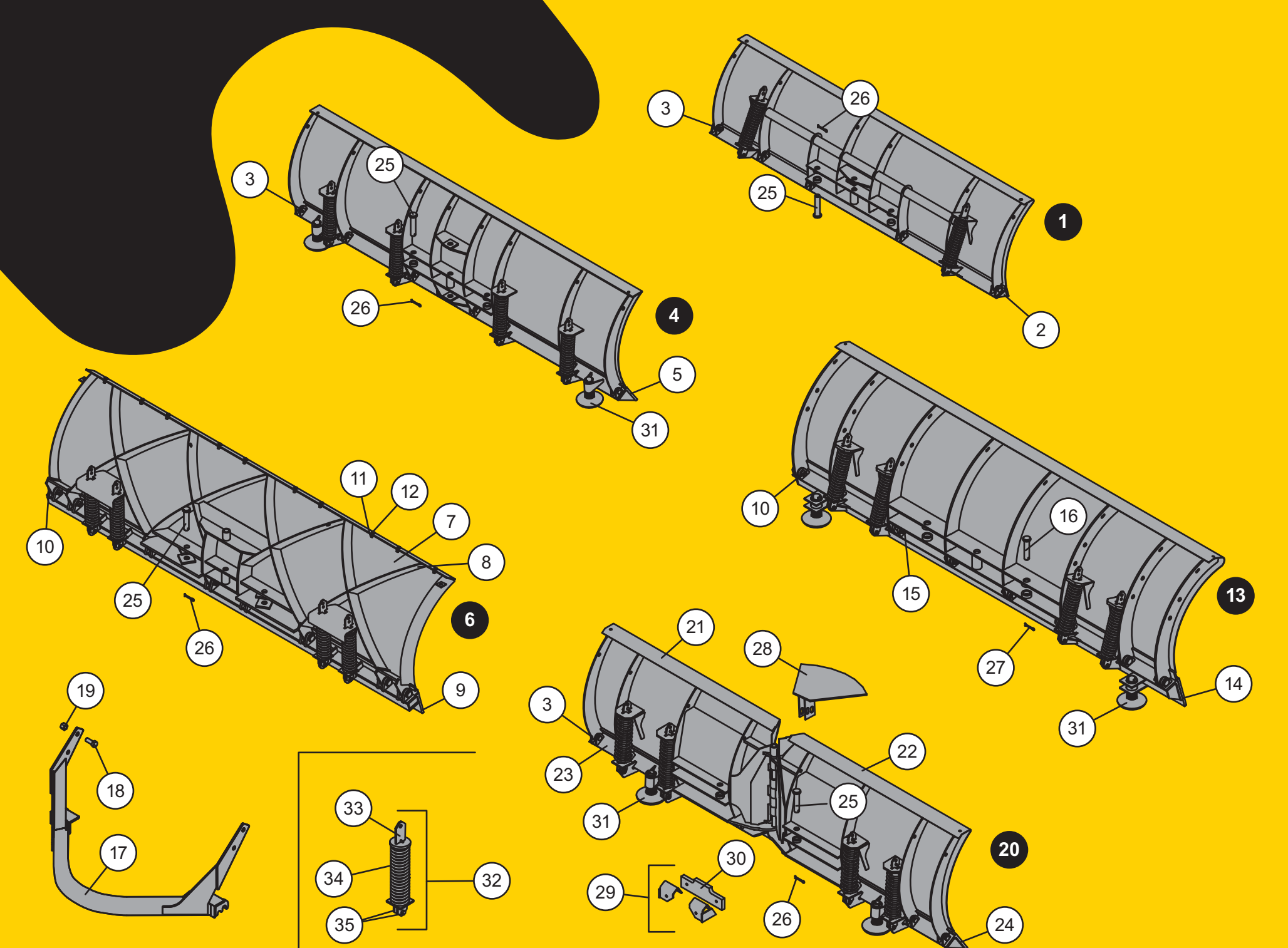


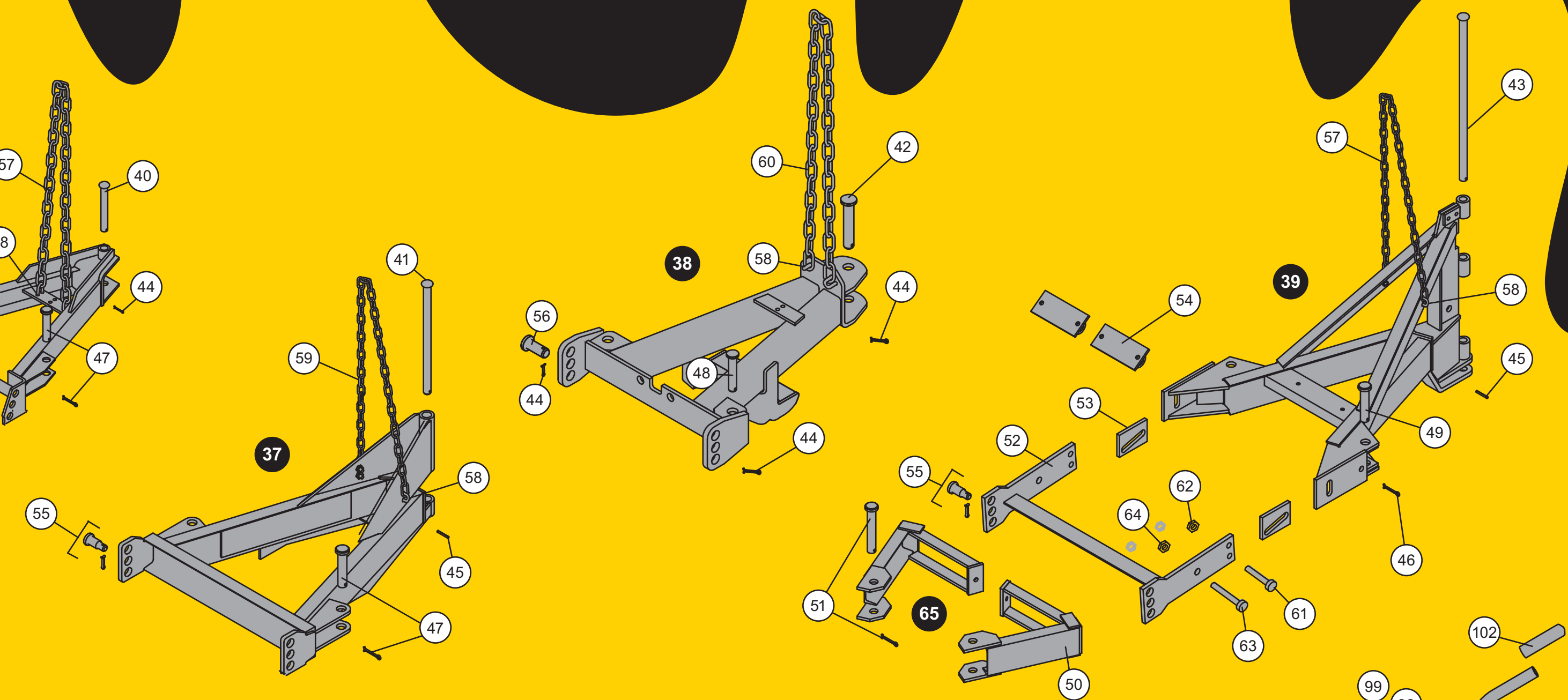
Minute Mount² SYSTEM



BLADES

Item	Part	Description	Item	Part	Description
1	28069	6'9" Blade (SD ²)	11	95410	3/8-16 Hex Locknut
	27775	7'6" Blade (SD ²)	12	98035	3/8-16 x 1 Button Cap Screw (w/o deflector)
2	22180	6'9" Base Angle (SD ¹)	98042	3/8-16 x 1-1/2 Button Cap Screw (w/deflector)	
	22083	6'9" Base Angle (SD ²)	13	29250	9' Blade (MC ³)
3	22181	7'6" Base Angle (SD ¹)	29350	10' Blade (MC ³)	
	27824	7'6" Base Angle (SD ²)	14	27259	9' Base Angle (MC ³)
4	84844	3/4 x 2-3/16 Machine Pin w/Cotter Pin	26949	9' Base Angle (MC ³)	
	27500	7'6" M-Series Blade (HD)	27240	10' Base Angle (MC ³)	
5	28000	8' M-Series Blade (HD)	26950	10' Base Angle (MC ³)	
	28500	8'6" M-Series Blade (HD)	15	7903K	1 x 4 Anchor Pin w/Cotter Pin
6	29000	9' M-Series Blade (HD)	16	20790	Commercial Ram Pin
	29440	7'6" Base Angle (HD)	17	28288	Angle Frame (MC ³)
7	26441	8' Base Angle (HD)	28639	Angle Frame (MC ³)	
	26442	8'6" Base Angle (HD)	18	90129	5/8-11 x 2 Hex Cap Screw G5 (MC ³)
8	26443	9' Base Angle (HD)	90286	3/4-10 x 2 Hex Cap Screw G5 (MC ³)	
	27510-1	7'6" Stainless Steel Blade (XBLADE™)	19	91337	5/8-11 Hex Locknut GB (MC ³)
9	-	7'6" Mild Steel Blade (X)	90645	3/4-10 Hex Locknut GB (MC ³)	
	28100-1	8' Stainless Steel Blade (X)	20	28885	8'6" Blade w/A-Frame (EZ-V ⁴)
10	-	8' Mild Steel Blade (X)	28895	9'6" Blade w/A-Frame (EZ-V)	
	29618-1	8' Polyethylene Blade (X)	21	21569	8'6" Blade Half w/o Trip Springs – DS (EZ-V)
11	28510-1	8'6" Stainless Steel Blade (X)	26509	9'6" Blade Half w/o Trip Springs – DS (EZ-V)	
	-	8'6" Mild Steel Blade (X)	22	21570	9'6" Blade Half w/o Trip Springs – PS (EZ-V)
12	29100-1	9' Stainless Steel Blade (X)	26600	9'6" Blade Half w/o Trip Springs – PS (EZ-V)	
	-	9' Mild Steel Blade (X)	23	21564	8'6" Base Angle – DS (EZ-V)
13	29619-1	9' Polyethylene Blade (X)	26597	9'6" Base Angle – DS (EZ-V)	
	26325	6" Stainless Steel Moldboard (X)	24	21565	8'6" Base Angle – PS (EZ-V)
14	26301	7'6" Mild Steel Moldboard (X)	26598	9'6" Base Angle – PS (EZ-V)	
	28103	8" Stainless Steel Moldboard (X)	25	22260	10' SNOFOIL Assembly (MC)
15	28101	8" Mild Steel Moldboard (X)	26	90601	1/4 x 1-1/2 Cotter Pin
	28415	8'6" Stainless Steel Moldboard (X)	27	90013	1/2 x 2 Cotter Pin
16	28414	8'6" Mild Steel Moldboard (X)	28	21873	Center Deflector
	29103	9" Stainless Steel Moldboard (X)	29	26858	Center Flap Kit
17	29101	9" Mild Steel Moldboard (X)	30	63508	Rubber Flap
	26327	7'6" Blade Frame w/o Base Angle (X)	31	26523	6" Solid Cast Shoe Assembly (HD, MC, EZ-V)
18	27538	8" Blade Frame w/o Base Angle (X)	32	26464	Removable Spring Assembly (HD, 10' MC ³)
	28396	8'6" Blade Frame w/o Base Angle (X)	33	21452	Removable Spring Assembly (SD ² , X, 9' MC, 10' MC ³ , EZ-V)
19	27539	9" Blade Frame w/o Base Angle (X)	34	20757	Removable Spring Bar (HD, 10' MC ³)
	26326	7'6" Base Angle (X)	35	21450	Removable Spring Bar (SD ² , X, 9' MC, 10' MC ³ , EZ-V)
20	27558	8' Base Angle (X)	36	27406	Trip Spring (HD)
	27285	8'6" Base Angle (X)	37	5323	Trip Spring (SD ² , X, 9' MC, 10' MC ³ , EZ-V)
21	27559	9' Base Angle (X)	38	40905	Shoulder Bolt w/Locknut
	27241	1 x 2-3/4 Clevis Pin w/Cotter Pin (X, MC)			
22	7905K	1 x 6 Pin w/Cotter Pin (8'6" X outer pins only)			

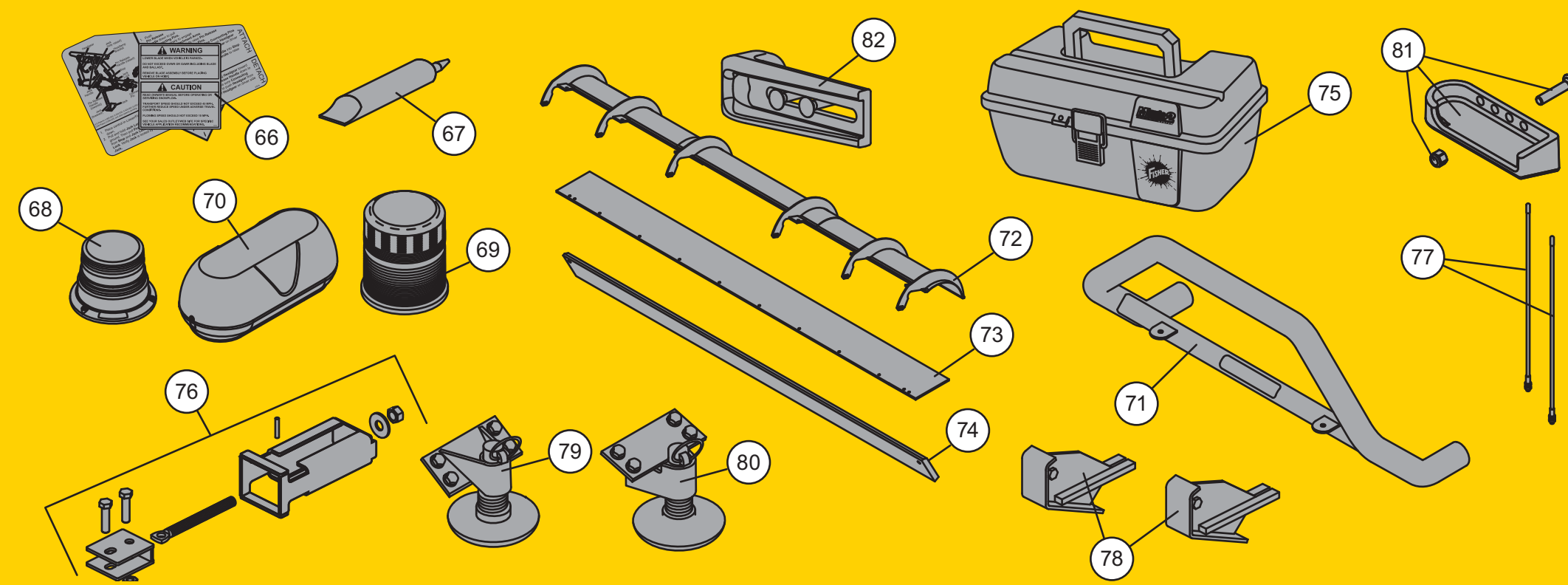
¹ Distinguished by a box-style rear support; blade height is 23" (not shown above).
² Distinguished by a tube-style rear support; blade height is 26" (shown above).
³ Distinguished by a 1" base angle pin, a 1/2" top anchor, and notches in the pivot plates (not shown above).
⁴ Distinguished by a 1" base angle pin, a 1/2" top anchor, and no notches in the pivot plates (shown above).



A-FRAMES

Item	Part	Description	Item	Part	Description
36	27995-1	A-Frame w/Hardware (SD)	51	7905K	Pivot Pin w/Cotter Pin
37	27598	A-Frame w/Hardware (HD, X)	52	27345	Push Assembly
38	27850	A-Frame (MC)	53	27346	Slotted Plate
39	27400	A-Frame (EZ-V)	54	27533	A-Frame Stop
40	27979	1 x 8 Clevis Pin	55	27177K	Step Pin Kit
41	28060	1 x 15-13/16 Pivot Pin	56	26164	1-1/4 x 3-1/16 Pin
42	20789	1-1/4 x 6-3/4 Pivot Pin	57	27912	Chain Bag (SD, EZ-V)
43	20988	V-Plow Pivot Pin	58	A6418K	U-Bolt w/Hardware
44	90013	1/4 x 2 Cotter Pin	59	26999	Chain Bag (HD, X)
45	26463	1/4 x 2 Slotted Spring Pin	60	28351	Chain Bag (MC)
46	90601	1/4 x 1-1/2 Cotter Pin	61	98003	5/8-11 x 2 Flanged Head Cap Screw G8
47	7903K	Anchor Pin w/Cotter Pin	62	98004	5/8-11 Hex Flange Locknut GG
48	20790	Commercial Ram Pin	63	98037	3/4-10 x 2-1/2 Hex Cap Screw
49	22260	1 x 4-3/4 Clevis Pin	64	98019	3/4-10 Hex Flange Locknut GG
50	26583	Blade Stop	65	26634	Blade Stop Kit

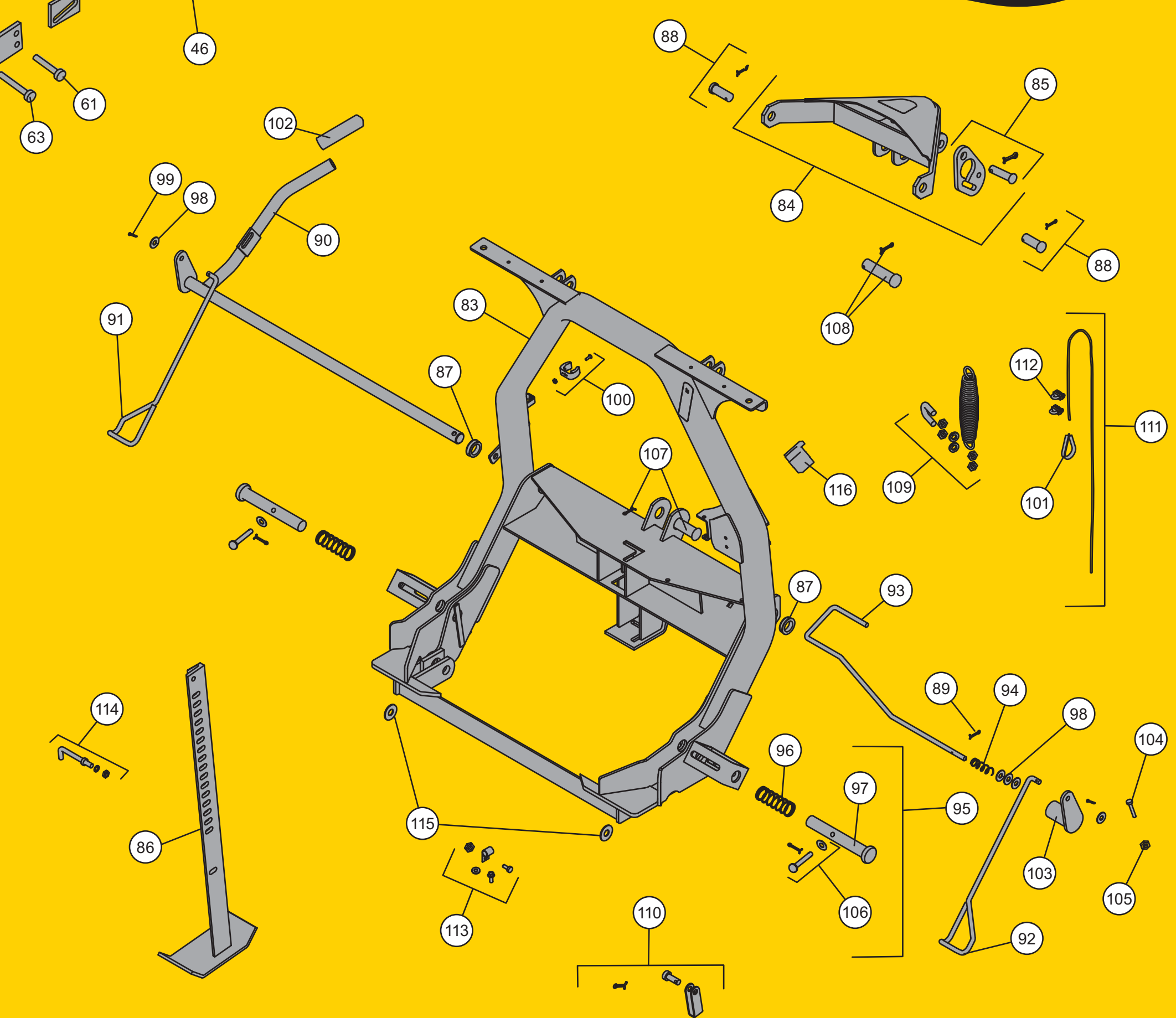
G = Grade



ACCESSORIES

Item	Part	Description	Item	Part	Description
66	28549	Universal Label Replacement Kit	74	27580	8" Steel Cutting Edge (X)
67	22400K	2 oz Dielectric Grease Tube	27585	8'6" Steel Cutting Edge (X)	
68	26018-1	Mini Strobe Light	27590	9' Steel Cutting Edge (X)	
69	26019	Full-Size Strobe Light	27362	9' Steel Cutting Edge (MC)	
70	26020-1	Mini Bar Light	27239	10' Steel Cutting Edge – 2 Sections (MC)	
71	26239	ProTube™ Bumper/Grille Guard – Stainless	28408	8'6" Steel Cutting Edge (EZ-V)	
72	26240	ProTube Bumper/Grille Guard – Black	26593	9'6" Steel Cutting Edge (EZ-V)	
73	27100	7'6", 8", 8'6" & 9' SnoFoil® Assembly (HD)	75	27930	Minute Mount® 2 Emergency Parts Kit
74	22380	9' SnoFoil Assembly (MC)	76	20043-1	Spring Replacement Tool
75	22200	10' SnoFoil Assembly (MC)	77	27195	26" Flexible Blade Guide Set (LD ¹ , EZ-V, MC)
76	22470-1	7'6", 8", 8'6" & 9' Rubber Deflector (SD, HD)	7906K	Blade Guide Set (RD, HD, X)	
77	26001-1	7'6", 8", 8'6" & 9' Rubber Deflector (X)	26530K	Commercial Blade Guide Set (All)	
78	22390	9" & 10" Rubber Deflector (MC)	78	20555	Skid Plate Kit
79	21619	8'6" Rubber Deflector (EZ-V)	79	26145	Shoe Kit (SD ¹)
80	26572	9'6" Rubber Deflector (EZ-V)	80	27880	Shoe Kit (SD ²)
81	22289	6" Steel Deflector (SD)	81	27222	Curb/Wear Shoe Kit (X)
82	283	7'6" Steel Deflector (SD, HD)	82	44405	Curb Guard Kit – Pair 1/2 Inch
ns	26480	8" Steel Deflector (HD)	44406	Curb Guard Kit – Pair 5/8 Inch	
ns	26485	8'6" Steel Deflector (HD)	26812-1	Plow Parka	
ns	26490	9' Steel Deflector (HD, MC)	ns	20498	12 oz Black Spray Paint (powder-coat)
ns	22215	6'9" Poly Cutting Edge (SD)	ns	27242	12 oz Yellow Spray Paint (powder-coat)
ns	22216	7'6" Poly Cutting Edge (SD)	ns	74417	12 oz Silver Spray Paint (powder-coat)
ns	5532	7'6" Steel Cutting Edge (HD)	ns	5492Y	1 quart Yellow Paint Can
ns	5533	8" Steel Cutting Edge (HD)	ns	5490Y	1 gallon Yellow Paint Can
ns	26460	8'6" Steel Cutting Edge (HD)	ns	28531	1 quart EZ Flow Hydraulic Fluid
ns	5534	9" Steel Cutting Edge (HD)	ns	28532	1 gallon EZ Flow Hydraulic Fluid
ns	28575	7'6" Steel Cutting Edge (X)	ns	62849	Ballast Retainer Kit

¹ Distinguished by a box-style rear support; blade height is 23".
² Distinguished by a tube-style rear support; blade height is 26".
 ns = not shown



HEADGEAR

Item	Part	Description	Item	Part	Description
83	27742	Headgear (LD)	96	821	1 ID x 3-1/2 Compression Spring
	27454	Headgear (RD, HD, X, EZ-V ⁴)	97	26833	1 OD x 6-15/16 Pin
	27666	Headgear Service Kit (incl. jack, link arm, & connecting pin assemblies)	98	90315	3/8 Flat Washer
	28571	Headgear (MC)	99	91902	1/8 x 1 Cotter Pin
84	26757-1	Lift Arm Kit – Yellow (SD, HD, X, EZ-V)	100	27162K	Stop Clip Kit
	27560-1	Lift Arm Kit – Silver (X)	101	26188	Thimble
	28350-1	Lift Arm Kit – (MC)	102	27535	Handle Cover Kit
85	28991	Stop Link Kit	103	27465	Link Arm
86	27741	Jack (SD)	104	90043	3/8-16 x 2 Hex Cap Screw G5
	27642	Jack (HD, X, EZ-V)	105	91333	3/8-16 Hex Locknut GB
	26172	Jack (MC)	106	26219	Clevis Pin Kit
87	27163K	Bushing Kit (2 bushings)	107	7904K	Clevis Pin w/Cotter Pin
88	4289K	3/4 x 1-7/8 Machine Pin w/Cotter Pin	108	29038	Heat-Treated Clevis Pin w/Cotter Pin
89	90658	5/32 x 1-1/4 Cotter Pin	109	27534	Spring / U-Bolt Kit
90	27468	Handle-Link Arm Assembly	110	27171K	Clevis Kit
91	27166K	Wire Cam Kit – DS	111	27169K	Cable Kit
92	27167K	Wire Cam Kit – PS	112	27075	1/8 Wire Rope Clip
93	27478	Jack Lock	113	27172K	Clamp Loop Kit
94	27461	3/4 OD x 3-1/2 Compression Spring	114	27164K	Jack Handle Kit
95	27681	Connecting Pin Kit	115	91192	Round Flat Washer (EZ-V only)
			116	8284K	Cable Boot

G = Grade

Copyright © 2021 Douglas Dynamics, LLC. All rights reserved. This material may not be reproduced or copied, in whole or in part, in any printed, mechanical, electronic, film, or other distribution and storage media, without the written consent of Fisher Engineering. Authorization to photocopy items for internal or personal use by Fisher Engineering outlets or spreader owner is granted.

Fisher Engineering reserves the right under its product improvement policy to change construction or design details and furnish equipment when so altered without reference to illustrations or specifications used. Fisher Engineering or the vehicle manufacturer may require or recommend optional equipment for snow removal. Do not exceed vehicle ratings with a spreader. Fisher Engineering offers a limited warranty for all spreaders and accessories. See separately printed page for this important information. The following are registered (®) or unregistered (™) trademarks of Douglas Dynamics, LLC: EZ-V⁴, FISHER®, Minute Mount², ProTube™, SnoFoil®, XBLADE™.

Fisher Engineering
 50 Gordon Drive
 Rockland, ME 04841
 www.fisherplows.com