



Fisher Engineering

P.O. Box 529 Rockland, Maine 04841 • www.fisherplows.com

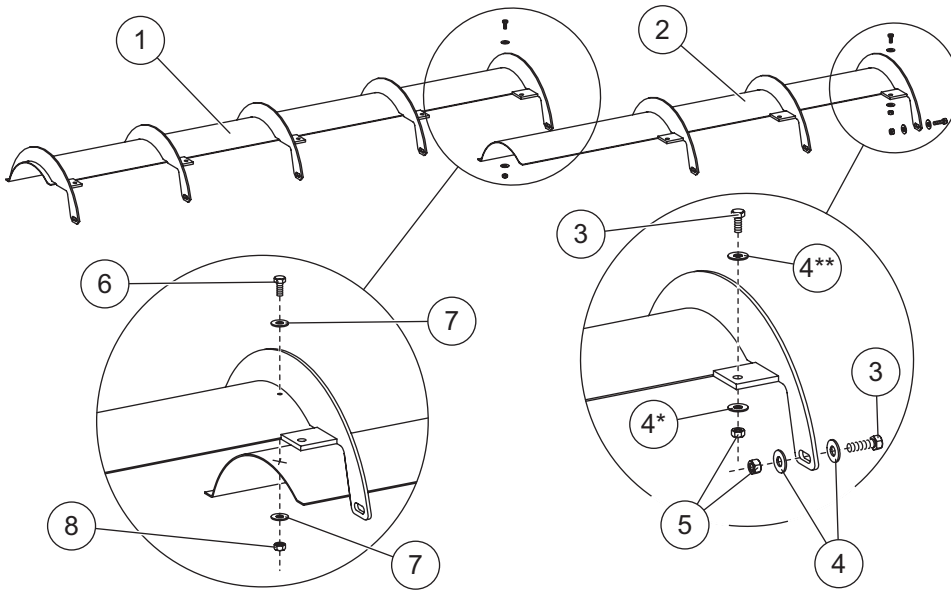
**8251, 8252, 8253
22200, 22275
22380, 26880**

February 16, 2007
Lit. No. 29644, Rev. 00

SnoFoil® Assembly

RD/HD (G-, H- & L-Series), LD and MC Blades

PARTS LIST



SnoFoil Assembly ID	
Part	Description
22275	7-1/2' LD
8251	7-1/2' RD
8252	8' HD
26880	8-1/2' HD
8253	9' HD
22380	9' MC
22200	10' MC

* LD and MC only
** RD/HD and MC only

SnoFoil Assembly							
Item	Part	Qty	Description	Item	Part	Qty	Description
1	‡	1	SnoFoil Half – DS	ns	‡	1	Bolt Bag
2	‡	1	SnoFoil Half – PS				
Bolt Bag (LD and RD/HD Blades)							
Item	Part	Qty	Description	Item	Part	Qty	Description
3	90039	16	3/8-16 x 1 Hex Cap Screw G5	6	90018	4	5/16-18 x 5/8 Hex Cap Screw G5
4	90315	24	3/8 Plain Washer	7	90313	8	5/16 Plain Washer
5	91333	16	3/8-16 Hex Locknut GB	8	91332	4	5/16-18 Hex Locknut GB
Bolt Bag (MC Blades)							
Item	Part	Qty	Description	Item	Part	Qty	Description
3	66456	16	3/8-16 x 1-1/4 Hex Cap Screw G5	6	90018	4	5/16-18 x 5/8 Hex Cap Screw G5
4	90315	32	3/8 Plain Washer	7	90313	8	5/16 Plain Washer
5	91333	16	3/8-16 Hex Locknut GB	8	91332	4	5/16-18 Hex Locknut GB
‡ = Not available separately			ns = not shown			G = Grade	

INSTALLATION INSTRUCTIONS

⚠ WARNING

Do not exceed GVWR or GAWR, including blade and ballast. The rating label is found on the driver-side vehicle door cornerpost.

⚠ CAUTION

Read this document before installing the SnoFoil® Assembly.

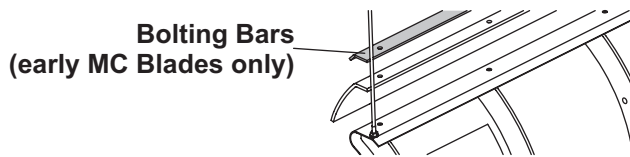
⚠ CAUTION

Use standard methods and practices when attaching snowplow and installing accessories including proper personal protective safety equipment.

⚠ CAUTION

See your FISHER® outlet/Web site for specific vehicle application recommendations before installation. SnoFoil Assembly weight information may be found in the Kit Selection Guide.

1. Remove the blade guides from the top of the blade and set them aside for later. Remove and discard the "bolting bars" (early MC Blades only).



2. Place the passenger-side and driver-side SnoFoil halves on the top of the blade, aligning their edges with the edges of the blade. The driver-side SnoFoil half should be on top.
3. Attach the SnoFoil ribs to the blade ribs as follows:

LD and RD/HD: Insert a 3/8" x 1" cap screw through a 3/8" washer and holes in both ribs.

MC: Insert a 3/8" x 1-1/4" cap screw through a 3/8" washer and holes in both ribs.

4. Attach a 3/8" plain washer and locknut at each rib connection. The washers should be placed outside the slotted holes on both the blade and SnoFoil ribs. Fully tighten fasteners to 31 ft-lb.

For blades without slotted holes in ribs: Clamp the SnoFoil halves to the blade (protect finish from metal jaws) and drill a 7/16" hole through each blade rib using the slots in the SnoFoil ribs as guides.

5. Clamp the SnoFoil halves to the top of the blade. Drill 13/32" holes through the top of the blade using the holes in the SnoFoil Assembly as guides.
6. Fasten the SnoFoil halves to the top of the blade in the following manner:

LD: Insert a 3/8" x 1" cap screw down through the SnoFoil and the top of the blade. Attach a plain washer and 3/8" locknut.

RD/HD: Insert a 3/8" x 1" cap screw down through a plain washer, the SnoFoil and the top of the blade. Attach a 3/8" locknut.

MC: Insert a 3/8" x 1-1/4" cap screw down through a plain washer, the SnoFoil and the top of the blade. Attach a plain washer and 3/8" locknut.

7. Fully tighten fasteners to 31 ft-lb.
8. If there are no holes in the passenger-side SnoFoil half, clamp the overlapping sections together. Drill 11/32" holes through the assembly using the holes in the driver-side SnoFoil half as a guide.
9. Fasten the SnoFoil Assembly halves together using a 5/16" x 5/8" cap screw, two 5/16" plain washers and a 5/16" locknut at each hole. Fully tighten fasteners to 18 ft-lb.
10. Install flexible blade guides in the front edge of the SnoFoil Assembly.

⚠ WARNING

Do not block headlamp beam.

Copyright © 2007 Douglas Dynamics, L.L.C. All rights reserved. This material may not be reproduced or copied, in whole or in part, in any printed, mechanical, electronic, film or other distribution and storage media, without the written consent of Fisher Engineering. Authorization to photocopy items for internal or personal use by Fisher Engineering outlets or snowplow owner is granted.

Fisher Engineering reserves the right under its product improvement policy to change construction or design details and furnish equipment when so altered without reference to illustrations or specifications used. Fisher Engineering or the vehicle manufacturer may require or recommend optional equipment for snow removal. Do not exceed vehicle ratings with a snowplow. Fisher Engineering offers a limited warranty for all snowplows and accessories. See separately printed page for this important information. The following are registered (®) trademarks of Douglas Dynamics, L.L.C.: FISHER®, SnoFoil®.