



30760

50 Gordon Drive, Rockland, Maine 04841-2139 • www.fisherplows.com

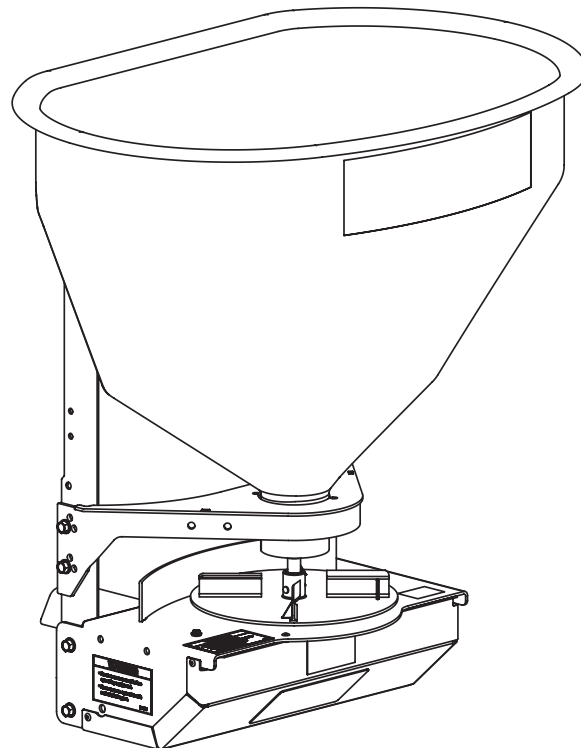
February 1, 2023
Lit. No. 30756, Rev. 03

Hopper and Drive Components

QUICK-CASTER™ 300

Tailgate Spreaders

Parts List

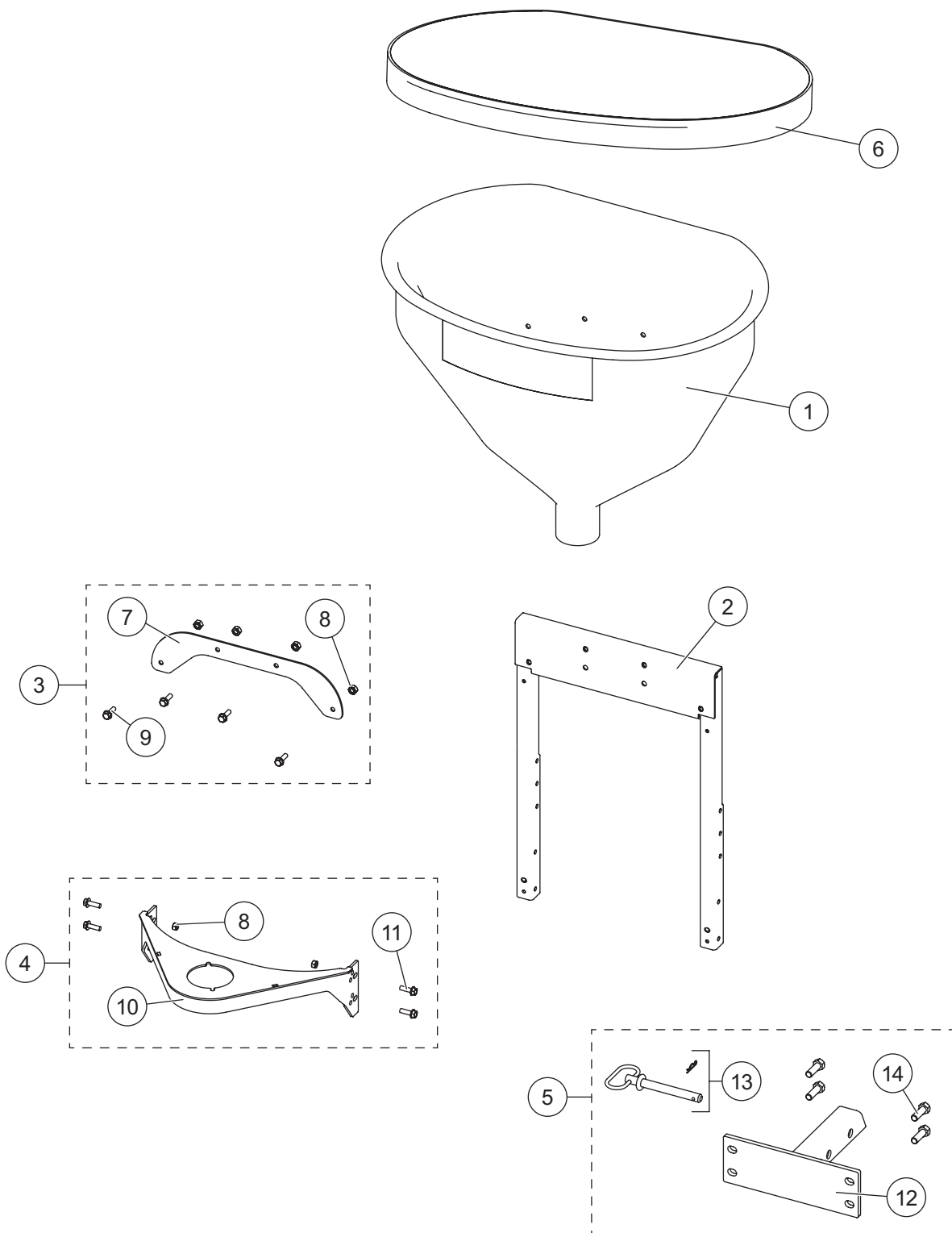


This Parts List is for FISHER® QUICK-CASTER 300 low-profile tailgate spreaders with serial numbers beginning with 210801 and higher.

A DIVISION OF FISHER, LLC

QUICK-CASTER™ 300 TAILGATE SPREADERS

QUICK-CASTER 300 HOPPER COMPONENTS

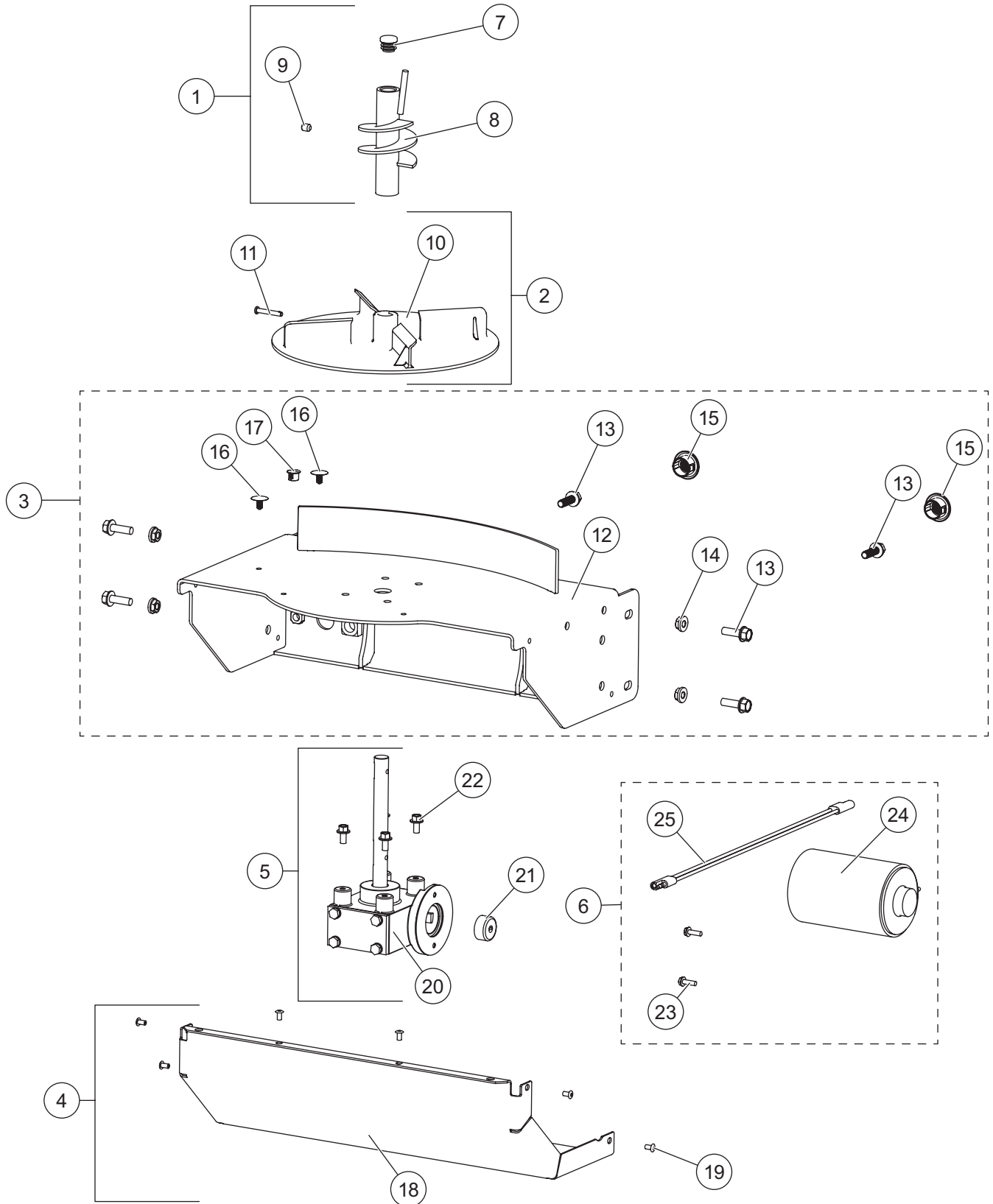


QUICK-CASTER™ 300 TAILGATE SPREADERS

QUICK-CASTER 300 Hopper Components							
Item	Part	Qty	Description	Item	Part	Qty	Description
1	75930	1	Hopper, QUICK-CASTER 300 (yellow)	4	75617	1	Hopper Throat Kit
2	75572	1	Hopper Frame	5	75619	1	Receiver Kit
3	75570	1	Hopper Support Kit	6	WSC-020	1	Hopper Cover
				ns	75563	1	FCC Compliance Label Kit
Item 3				75570 Hopper Support Kit			
7		1	Backing Plate	9		4	5/16-18 x 1 Serrated Flange Hex Cap Screw SS
8		4	5/16-18 Serrated Flange Hex Locknut				
Item 4				75617 Hopper Throat Kit			
8		4	5/16-18 Serrated Flange Hex Locknut	11		4	5/16-18 x 1 Serrated Flange Hex Cap Screw G5
10		1	Throat Support				
Item 5				75619 Receiver Kit			
12		1	Hitch, 2" Receiver Utility	14		4	1/2-13 x 1-1/2 Hex Cap Screw G5
13	75620	1	5/8 x 5-1/2 Hitch Pin w/Hairpin Cotter				
ns = not shown				G = Grade		SS = Stainless Steel	

QUICK-CASTER™ 300 TAILGATE SPREADERS

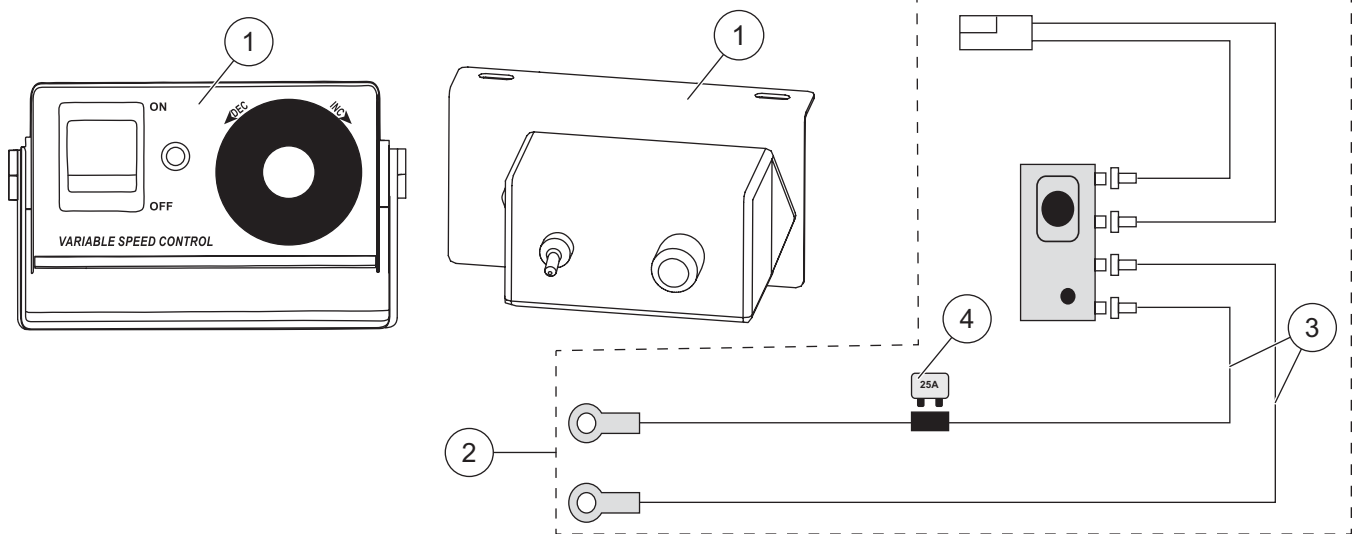
QUICK-CASTER 300 DRIVE COMPONENTS



QUICK-CASTER™ 300 TAILGATE SPREADERS

QUICK-CASTER 300 Drive Components							
Item	Part	Qty	Description	Item	Part	Qty	Description
1	75615	1	Auger Kit	4	75624	1	Transmission Enclosure Cover Kit
2	75618	1	Spinner Kit	5	75625	1	Transmission Kit
3	75628	1	Transmission Enclosure Kit	6	75418	1	Motor Kit
Item 1				75615 Auger Kit			
7		1	Auger Cap	9		1	5/16-18 x 3/8 Set Screw
8		1	Auger				
Item 2				75618 Spinner Kit			
10		1	Spinner, Poly	11		1	3/16 x 1-1/4 Clevis Pin
Item 3				75628 Transmission Enclosure Kit			
12		1	Transmission Mount	17		1	1/2 Cap Plug
13		6	5/16-18 x 1 Serrated Flange Hex Cap Screw G5	ns	D6192	1	Label – Warning, Hands & Feet
14		4	5/16-18 Serrated Flange Hex Locknut	ns	D6402	1	Label – Warning, Maximum Weight
15		2	Break-Thru Plug	ns	D6194	1	Label – Warning, Read Manual
16		2	1/4 Retainer	ns	11100	1	Label – Warning, Rear Camera
Item 4				75624 Transmission Enclosure Cover Kit			
18		1	Transmission Enclosure Cover	19		6	3/16 x .354 Rivet
Item 5				75625 Transmission Kit			
20		1	Transmission 14.5:1	22		4	1/4-20 x 1/2 Serrated Flange Hex Cap Screw SS
21		1	Motor Drive Coupler				
Item 6				75418 Motor Kit			
23		2	#10-32 x 5/8 Serrated Flange Hex Cap Screw G5	24		1	3 x 3.8 12V DC Motor
				25		1	Motor Connector Adapter
ns = not shown				SS = Stainless Steel			

ELECTRICAL COMPONENTS



QUICK-CASTER 300 Electrical Components							
Item	Part	Qty	Description	Item	Part	Qty	Description
1	75419	1	Spreader Control	2	75424	1	Spreader Control Harness Kit
Item 2				75424 Spreader Control Harness Kit			
3		1	Wiring Harness	ns		1	ON/OFF Switch
4		1	25A Breaker	ns		1	Rubber Switch Boot
ns = not shown							

QUICK-CASTER™ 300 TAILGATE SPREADERS



Fisher Engineering
50 Gordon Drive
Rockland, ME 04841-2139
www.fisherplows.com

A DIVISION OF FISHER, LLC

Copyright © 2023 Douglas Dynamics, LLC. All rights reserved. This material may not be reproduced or copied, in whole or in part, in any printed, mechanical, electronic, film, or other distribution and storage media, without the written consent of Fisher Engineering. Authorization to photocopy items for internal or personal use by Fisher Engineering outlets or spreader owner is granted.

Fisher Engineering reserves the right under its product improvement policy to change construction or design details and furnish equipment when so altered without reference to illustrations or specifications used. Fisher Engineering or the vehicle manufacturer may require or recommend optional equipment for spreaders. Do not exceed vehicle ratings with a spreader. Fisher Engineering offers a limited warranty for all spreaders and accessories. See separately printed page for this important information. The following are registered (®) or unregistered (™) trademarks of Douglas Dynamics, LLC: FISHER®, QUICK-CASTER™.

Printed in U.S.A.