



30770

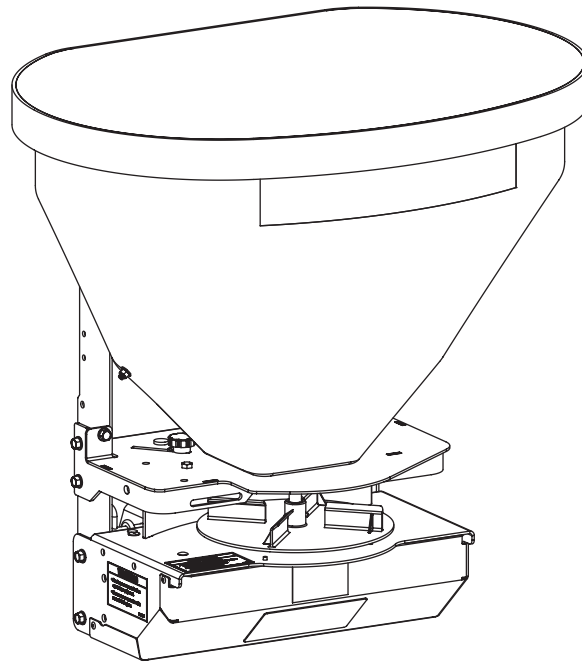
50 Gordon Drive, Rockland, Maine 04841-2139 • www.fisherplows.com

February 1, 2023
Lit. No. 31341, Rev. 00

Hopper and Drive Components

QUICK-CASTER™ 300G Tailgate Spreaders

Parts List

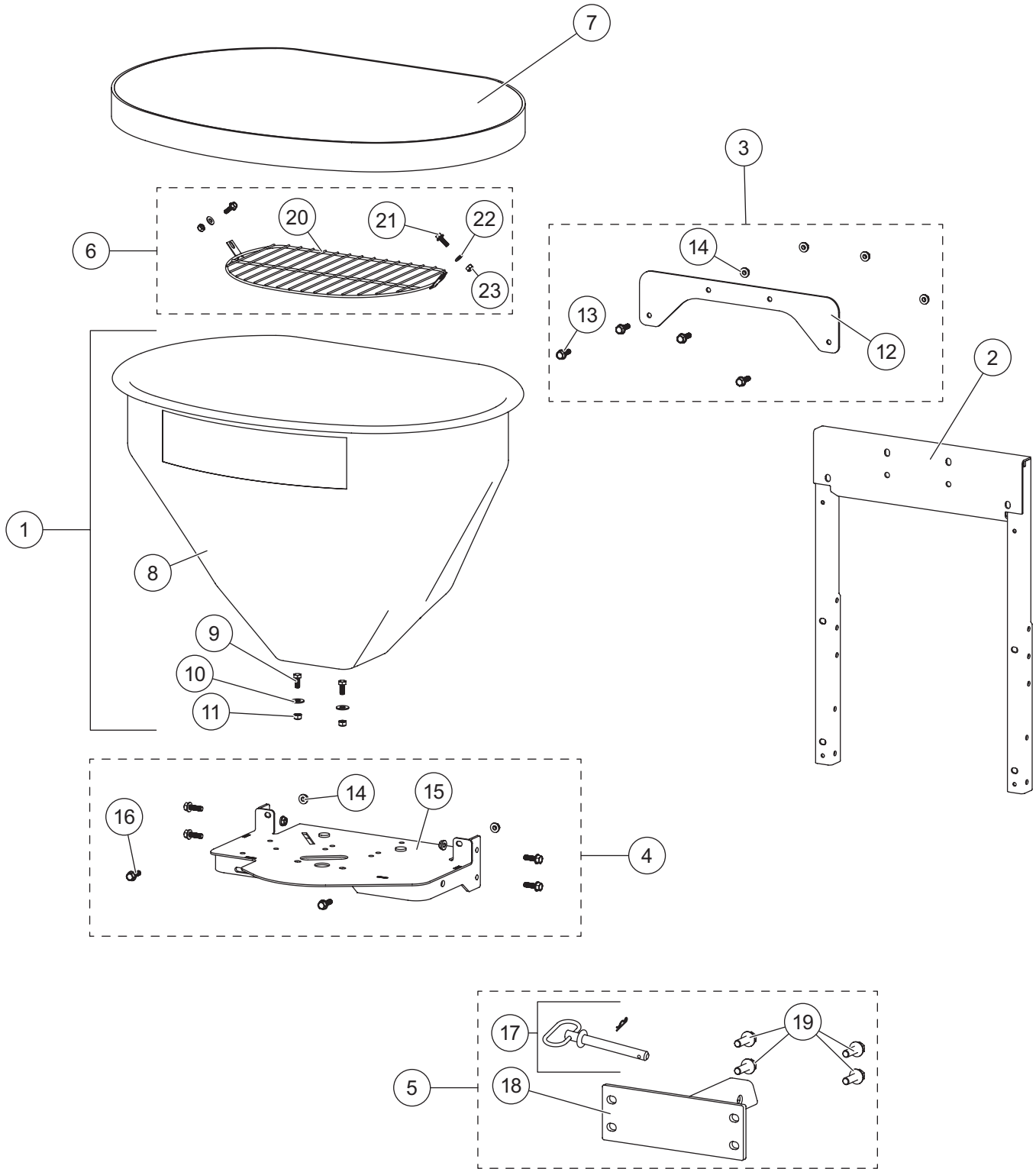


This Parts List is for FISHER® QUICK-CASTER 300G low-profile tailgate spreaders with serial numbers beginning with 210801 and higher.

A DIVISION OF FISHER, LLC

QUICK-CASTER™ 300G TAILGATE SPREADERS

QUICK-CASTER 300G HOPPER COMPONENTS

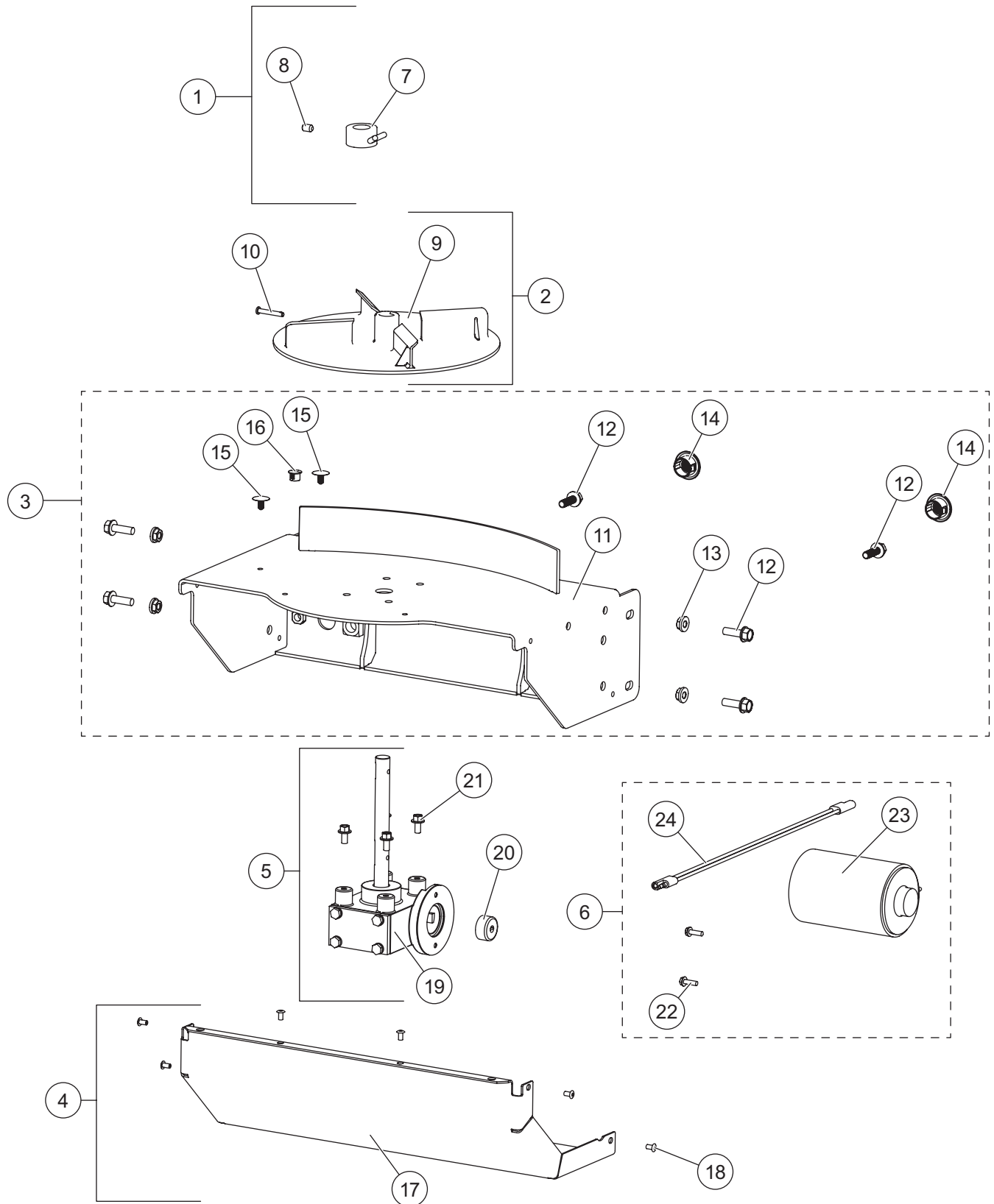


QUICK-CASTER™ 300G TAILGATE SPREADERS

QUICK-CASTER 300G Hopper Components							
Item	Part	Qty	Description	Item	Part	Qty	Description
1	98065	1	Hopper Kit	5	75619	1	Receiver Kit
2	75572	1	Hopper Frame	6	75407	1	Top Screen Kit
3	75570	1	Hopper Support Kit	7	WSC-020	1	Weather Cover
4	75405	1	Hopper Support Frame Kit				
Item 1				98065 Hopper Kit			
8		1	Hopper	10		2	5/16 Flat Washer SS
9		2	5/16-18 x 3/4 Hex Cap Screw SS	11		2	5/16-18 Hex Locknut SS
Item 3				75570 Hopper Support Kit			
12		1	Backing Plate	14		4	5/16-18 Serrated Flange Hex Locknut
13		4	5/16-18 x 1 Serrated Flange Hex Cap Screw SS				
Item 4				75405 Hopper Support Frame Kit			
14		6	5/16-18 Serrated Flange Hex Locknut	16		6	5/16-18 x 1 Serrated Flange Hex Cap Screw G5
15		1	Hopper Support				
Item 5				75619 Receiver Kit			
17	75620	1	5/8 x 5-1/2 Hitch Pin w/Hairpin Cotter	19		4	1/2-13 x 1-1/2 Hex Cap Screw G5
18		1	Utility Hitch, 2" Receiver				
Item 6				75407 Top Screen Kit			
20		1	Top Screen, Utility	22		2	1/4 Flat Washer SS
21		2	1/4-20 x 3/4 Serrated Flange Hex Cap Screw SS	23		2	1/4-20 Hex Locknut SS
SS = Stainless Steel				G = Grade			

QUICK-CASTER™ 300G TAILGATE SPREADERS

QUICK-CASTER 300G DRIVE COMPONENTS

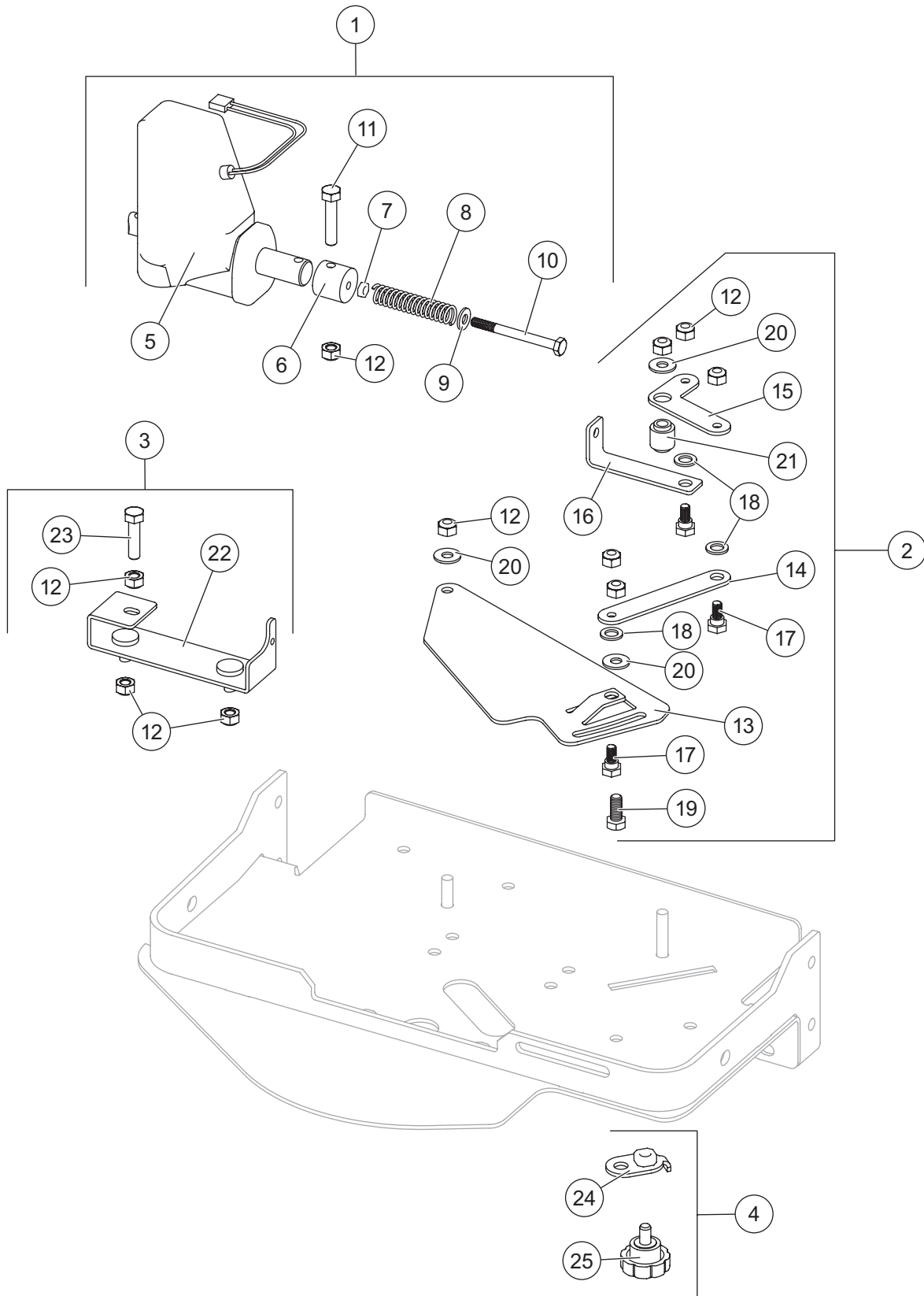


QUICK-CASTER™ 300G TAILGATE SPREADERS

QUICK-CASTER 300G Drive Components							
Item	Part	Qty	Description	Item	Part	Qty	Description
1	75408	1	Agitator Kit	5	75625	1	Transmission Kit
2	75618	1	Spinner Kit	6	75418	1	Motor Kit – SP-125-1 (shown)
3	75628	1	Transmission Enclosure Kit		75417	1	Motor Kit – SP-100-1 (not shown)
4	75624	1	Transmission Enclosure Cover Kit				
Item 1				75408 Agitator Kit			
	7	1	Agitator		8	1	5/16-18 x 3/8 Set Screw
Item 2				75618 Spinner Kit			
	9	1	Spinner, Poly		10	1	3/16 x 1-1/4 Clevis Pin
Item 3				75628 Transmission Enclosure Kit			
	11	1	Transmission Mount		16	1	1/2 Cap Plug
	12	6	5/16-18 x 1 Serrated Flange Hex Cap Screw	ns	D6192	1	Label – Warning, Hands & Feet
	13	4	5/16-18 Serrated Flange Hex Locknut	ns	D6402	1	Label – Warning, Maximum Weight
	14	2	Break-Thru Plug	ns	D6194	1	Label – Warning, Read Manual
	15	2	1/4 Retainer	ns	11100	1	Label – Warning, Rear Camera
Item 4				75624 Transmission Enclosure Cover Kit			
	17	1	Transmission Enclosure Cover		18	6	3/16 x 0.354 Rivet
Item 5				75625 Transmission Kit			
	19	1	Transmission 14.5:1		21	4	1/4-20 x 1/2 Serrated Flange Hex Cap Screw SS
	20	1	Motor Drive Coupler				
Item 6				75418 Motor Kit			
	22	2	#10-32 x 5/8 Serrated Flange Hex Cap Screw		23	1	3 x 3.8 12V DC Motor
					24	1	Motor Connector Adapter, 6"
				75417 Motor Kit			
	22	2	#10-32 x 5/8 Serrated Flange Hex Cap Screw		23	1	3 x 3.8 12V DC Motor
				ns		1	Motor Connector Adapter
ns = not shown				SS = Stainless Steel			

QUICK-CASTER™ 300G TAILGATE SPREADERS

QUICK-CASTER 300G ELECTRIC GATE

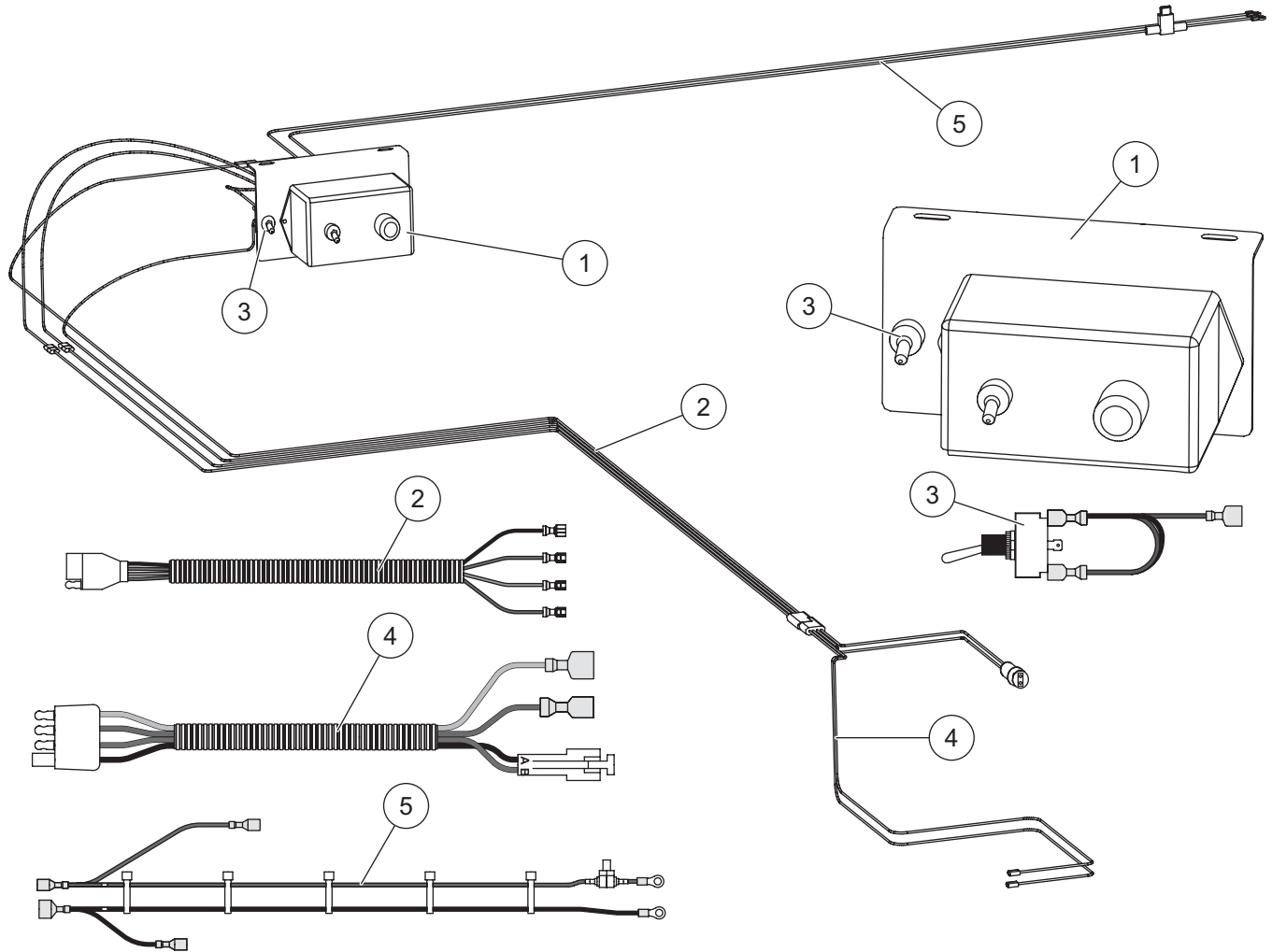


QUICK-CASTER™ 300G TAILGATE SPREADERS

QUICK-CASTER 300G Electric Gate Kit Components							
Item	Part	Qty	Description	Item	Part	Qty	Description
1	75412	1	Actuator Assembly Kit	3	75414	1	Actuator Mount Kit
2	75413	1	Gate/Gate Linkage Kit	4	75415	1	Gate Slide Stop Kit
Item 1				75412 Actuator Assembly Kit			
5		1	Actuator Assembly	9		1	1/4 Flat Washer SS
6		1	Actuator Adapter	10		1	1/4-20 x 2-3/4 Hex Cap Screw
7		1	1/4-20 Hex Jam Nut	11		1	5/16-18 x 1-1/2 Hex Cap Screw SS
8	T15094	1	Compression Spring	12		1	5/16-18 Hex Locknut SS
Item 2				75413 Gate/Gate Linkage Kit			
12		6	5/16-18 Hex Locknut SS	17		3	Gate Linkage Shoulder Bolt SS
13		1	Gate Slide	18		3	3/8 Nylon Flat Washer
14		1	Gate Slide Arm	19		1	5/16-18 x 3/4 Hex Cap Screw SS
15		1	Pivot Link Arm	20		3	1/4 Nylon Flat Washer
16		1	Actuator Link Arm	21		1	Gate Linkage Spacer
Item 3				75414 Actuator Mount Kit			
12		3	5/16-18 Hex Locknut SS	23		1	5/16-18 x 1-1/4 Hex Cap Screw SS
22		1	Actuator Mount Bracket				
Item 4				75415 Gate Slide Stop Kit			
24		1	Gate Slide Stop	25		1	Round Knob
SS = Stainless Steel							

QUICK-CASTER™ 300G TAILGATE SPREADERS

SPREADER CONTROL HARNESS KIT



QUICK-CASTER™ 300G TAILGATE SPREADERS

Spreader Control Harness Kit Components							
Item	Part	Qty	Description	Item	Part	Qty	Description
1	75419	1	Spreader Control	4	75422	1	Spreader Harness
2	75420	1	Vehicle Harness	5	75423	1	Control Power Cable
3	75421	1	Switch Assembly				

QUICK-CASTER™ 300G TAILGATE SPREADERS



Fisher Engineering
50 Gordon Drive
Rockland, ME 04841-2139
www.fisherplows.com

A DIVISION OF FISHER, LLC

Copyright © 2023 Douglas Dynamics, LLC. All rights reserved. This material may not be reproduced or copied, in whole or in part, in any printed, mechanical, electronic, film, or other distribution and storage media, without the written consent of Fisher Engineering. Authorization to photocopy items for internal or personal use by Fisher Engineering outlets or spreader owner is granted.

Fisher Engineering reserves the right under its product improvement policy to change construction or design details and furnish equipment when so altered without reference to illustrations or specifications used. Fisher Engineering or the vehicle manufacturer may require or recommend optional equipment for spreaders. Do not exceed vehicle ratings with a spreader. Fisher Engineering offers a limited warranty for all spreaders and accessories. See separately printed page for this important information. The following are registered (®) or unregistered (™) trademarks of Douglas Dynamics, LLC: FISHER®, QUICK-CASTER™.

Printed in U.S.A.