



**Fisher Engineering**

50 Gordon Drive, Rockland, Maine 04841-2139 • www.fisherplows.com

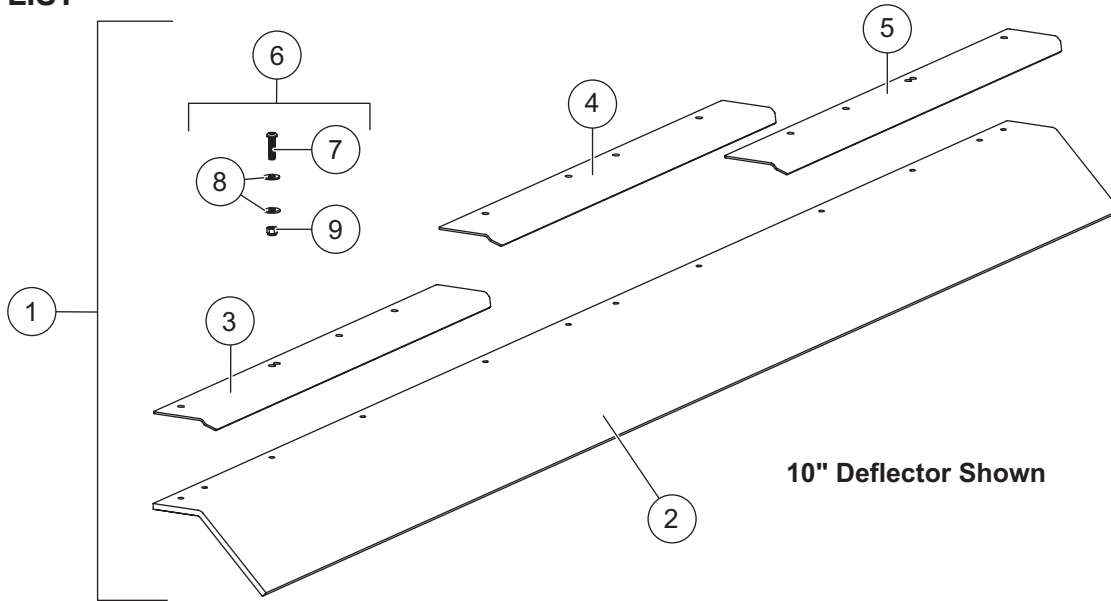
**52094, 52095, 52096  
52097, 52098, 52099**

April 20, 2015  
Lit. No. 41763, Rev. 01

# Rubber Deflector Kit

## HD2™ and HDX™ Snowplows

### PARTS LIST



Rubber Deflector Kit – HD2 and HDX				
Item	Description	Part Number		
		7-1/2' Blade	8' Blade	8-1/2' Blade 9' Blade
1	Rubber Deflector Kit – 10"	52094	52095	52096
ns	Rubber Deflector Kit – 18"	52097	52098	52099
2	Rubber Deflector – 10"	51883	51884	51886
ns	Rubber Deflector – 18"	51436	51435	51434
3	PS Deflector Hold-Down – 10"	52491	52497	52502
ns	PS Deflector Hold-Down – 18"	52494	52500	52504
4	Center Deflector Hold-Down – 10"	52490		
ns	Center Deflector Hold-Down – 18"	52493		
5	DS Deflector Hold-Down – 10"	52492	52498	52503
ns	DS Deflector Hold-Down – 18"	52495	52501	52505
6	Bolt Bag – Rubber Deflector Kit	52092		

52092 Bolt Bag					
Item	Qty	Description	Item	Qty	Description
7	10	3/8-16 x 1-1/2 Button Cap Screw	9	10	3/8-16 Brass Locknut
8	20	3/8 Hardened Flat Washer			
ns = not shown			G = Grade		

## INSTALLATION INSTRUCTIONS

### **⚠ WARNING**

Do not exceed GVWR or GAWR, including blade and ballast. The rating label is found on the driver-side vehicle door cornerpost.

### **⚠ CAUTION**

Read this document before installing the rubber deflector.

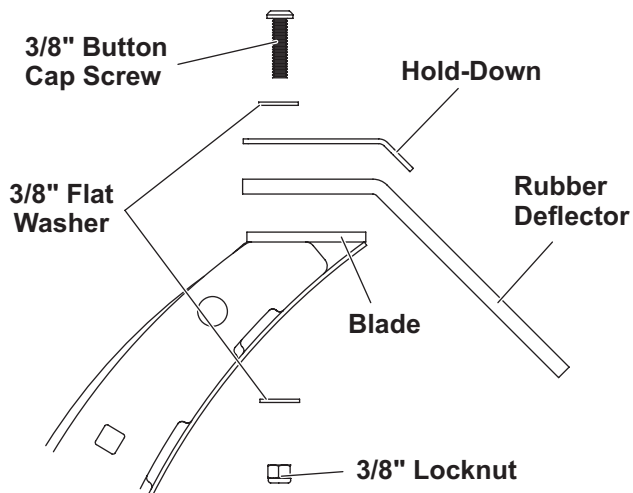
### **⚠ CAUTION**

Use standard methods and practices when attaching snowplow and installing accessories, including proper personal protective safety equipment.

### **⚠ CAUTION**

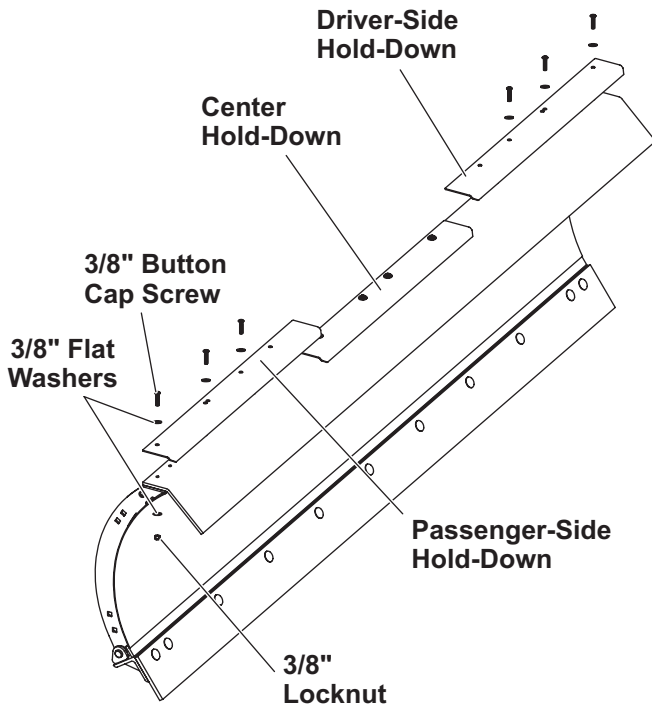
See your FISHER® outlet/Web site for specific vehicle application recommendations before installation. Rubber deflector weight information may be found in the eMatch selection system.

1. Park the vehicle on a smooth, level, hard surface, such as concrete. Lower the blade to the ground, and turn the control OFF. Disconnect the snowplow from the vehicle or turn the vehicle ignition to the OFF position and remove the key.
2. **HD2™ installations:** Skip to Step 3.  
**HDX™ installations:** Remove the existing fasteners along the top edge of the moldboard.
3. Align the deflector on the blade, matching up the holes in the deflector with the holes in the top bar (HD2 snowplow) or moldboard (HDX snowplow). On 8-1/2' blades the deflector will extend beyond the ends of the blade.
4. Place the center deflector hold-down on top of the deflector, matching up the 4 holes in the hold-down with the 4 center holes on the deflector. Install the hold-down using one 3/8" button cap screw, two washers, and one locknut for each hole, as shown. Make sure the hold-down is tight against the deflector and moldboard or top bar.

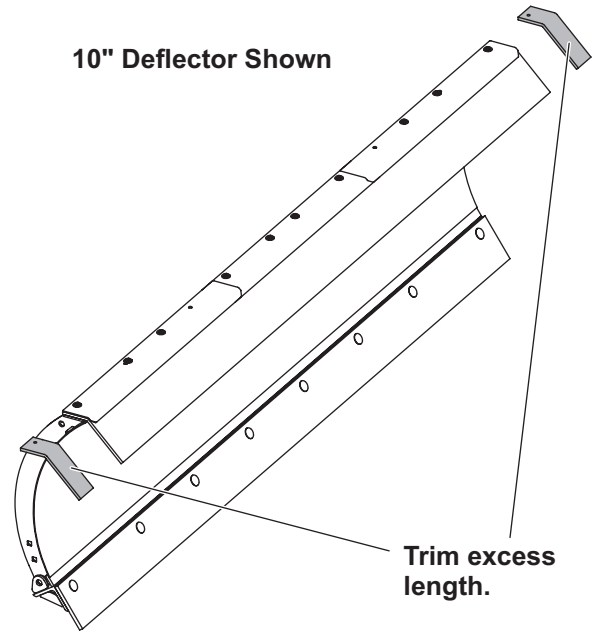


10" Deflector and HD2™ Blade Shown

- Align the outside edges of the driver-side and passenger-side deflector hold-downs with the outer ends of the blade. Install the hold downs using one 3/8" button cap screw, two washers, and one 3/8" locknut for each hole. Make sure the hold-downs are tight against the deflector and moldboard or top bar.



- On 8-1/2' blades only: Trim excess length from both ends of the deflector, as shown.



Copyright © 2015 Douglas Dynamics, LLC. All rights reserved. This material may not be reproduced or copied, in whole or in part, in any printed, mechanical, electronic, film or other distribution and storage media, without the written consent of Fisher Engineering. Authorization to photocopy items for internal or personal use by Fisher Engineering outlets or snowplow owner is granted.

Fisher Engineering reserves the right under its product improvement policy to change construction or design details and furnish equipment when so altered without reference to illustrations or specifications used. Fisher Engineering or the vehicle manufacturer may require or recommend optional equipment for snow removal. Do not exceed vehicle ratings with a snowplow. Fisher Engineering offers a limited warranty for all snowplows and accessories. See separately printed page for this important information. The following are registered (®) or unregistered (™) trademarks of Douglas Dynamics, LLC: FISHER®, HD2™, HDX™.

**Printed in U.S.A.**