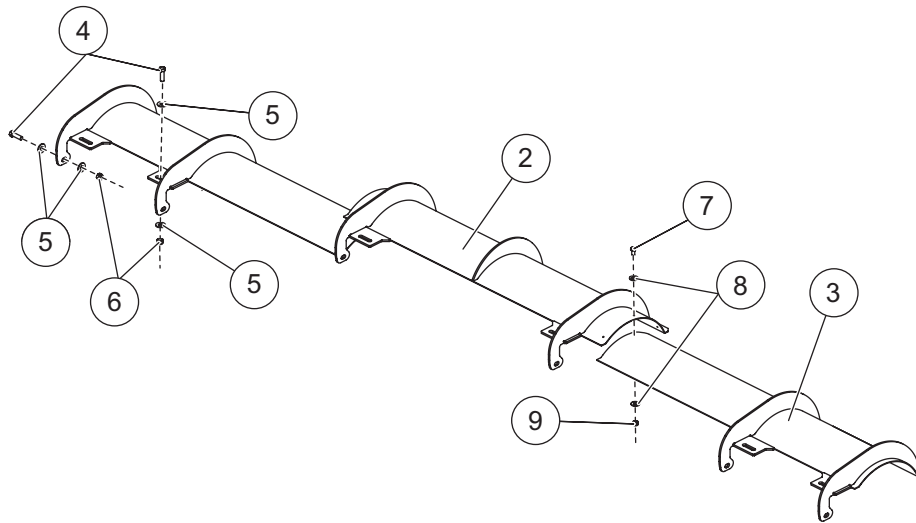




SnoFoil® Assembly

HD2™ and HDX™ Blades

PARTS LIST



52488 SnoFoil Assembly							
Item	Part	Qty	Description	Item	Part	Qty	Description
1	52188	1	SnoFoil HDX/HD2 – DS	3	52189	1	SnoFoil HDX/HD2 – PS
2	52187	1	SnoFoil HDX/HD2 – Center	ns	52489	1	Bolt Bag
52489 Bolt Bag							
4		12	3/8-16 x 1-1/2 Button Cap Screw	7		6	5/16-18 x 5/8 Hex Cap Screw G5
5		24	3/8 Hardened Flat Washer	8		12	5/16 Flat Washer, Wide
6		12	3/8-16 Brass Locknut	9		6	5/16-18 Locknut GB
ns = not shown				G = Grade			

⚠ WARNING

Do not exceed GVWR or GAWR, including blade and ballast. The rating label is found on the driver-side vehicle door cornerpost.

⚠ CAUTION

Read this document before installing the SnoFoil assembly.

⚠ CAUTION

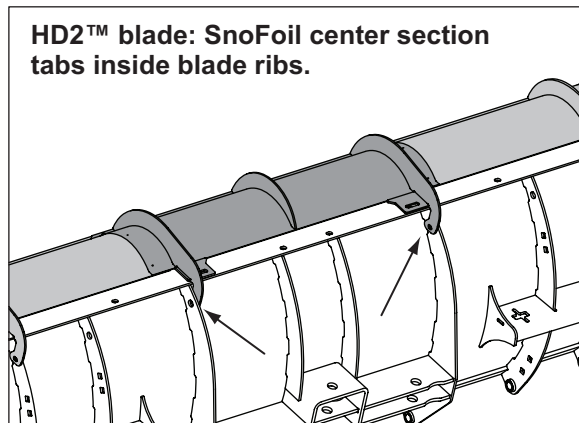
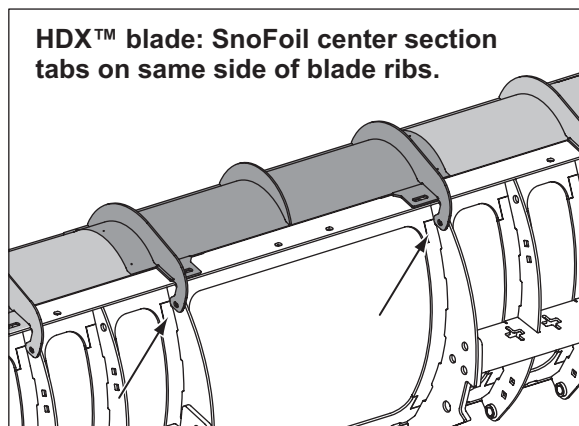
Use standard methods and practices when attaching snowplow and installing accessories, including proper personal protective safety equipment.

⚠ CAUTION

See your FISHER® outlet/Web site for specific vehicle application recommendations before installation. SnoFoil assembly weight information may be found in the eMatch selection system.

INSTALLATION INSTRUCTIONS

1. Park the vehicle on a smooth, level, hard surface, such as concrete. Lower the blade to the ground and turn the control OFF. Disconnect the snowplow from the vehicle, or turn the vehicle ignition to the "OFF" position and remove the key.
2. Place the passenger- and driver-side SnoFoil® sections on top of the blade, aligning their edges with the ends of the blade. Place the center SnoFoil section on top of the side sections, positioning the attachment tabs as shown.



3. Install the SnoFoil assembly to the blade ribs using one 3/8" x 1-1/2" button cap screw, two 3/8" washers and one 3/8" brass locknut at each rib connection. The washers should be placed outside the slotted holes on both the blade ribs and the SnoFoil attachment tabs. Hand tighten.
4. Install the SnoFoil assembly to the top of the blade using a 3/8" x 1-1/2" button cap screw, two 3/8" washers, and a 3/8" brass locknut at each attachment point.
5. Fully tighten all the 3/8" fasteners to 31 ft-lb.
6. Clamp the overlapping sections of the SnoFoil assembly together. Using the holes in the center section as a guide, drill 11/32" holes through the side sections.
7. Fasten the SnoFoil sections together using a 5/16" x 5/8" cap screw, two 5/16" washers and a 5/16" locknut at each hole. Tighten fasteners to 18 ft-lb.

⚠ WARNING

Do not block headlamp beams.

Copyright © 2016 Douglas Dynamics, LLC. All rights reserved. This material may not be reproduced or copied, in whole or in part, in any printed, mechanical, electronic, film or other distribution and storage media, without the written consent of Fisher Engineering. Authorization to photocopy items for internal or personal use by Fisher Engineering outlets or snowplow owner is granted.

Fisher Engineering reserves the right under its product improvement policy to change construction or design details and furnish equipment when so altered without reference to illustrations or specifications used. Fisher Engineering or the vehicle manufacturer may require or recommend optional equipment for snow removal. Do not exceed vehicle ratings with a snowplow. Fisher Engineering offers a limited warranty for all snowplows and accessories. See separately printed page for this important information. The following are registered (®) or unregistered (™) trademarks of Douglas Dynamics, LLC: FISHER®, HD2™, HDX™, SnoFoil®.

Printed in U.S.A.