



**Fisher Engineering**

86000, 86000-3, 86000-4, 86100(CH), 86100-3(CH)  
86100-4(CH), 86200, 86300, 87000, 87000-3  
87000-4, 87100, 87200, 87300

50 Gordon Drive, Rockland, Maine 04841-2139 • www.fisherplows.com

November 15, 2022  
Lit. No. 43070, Rev. 13

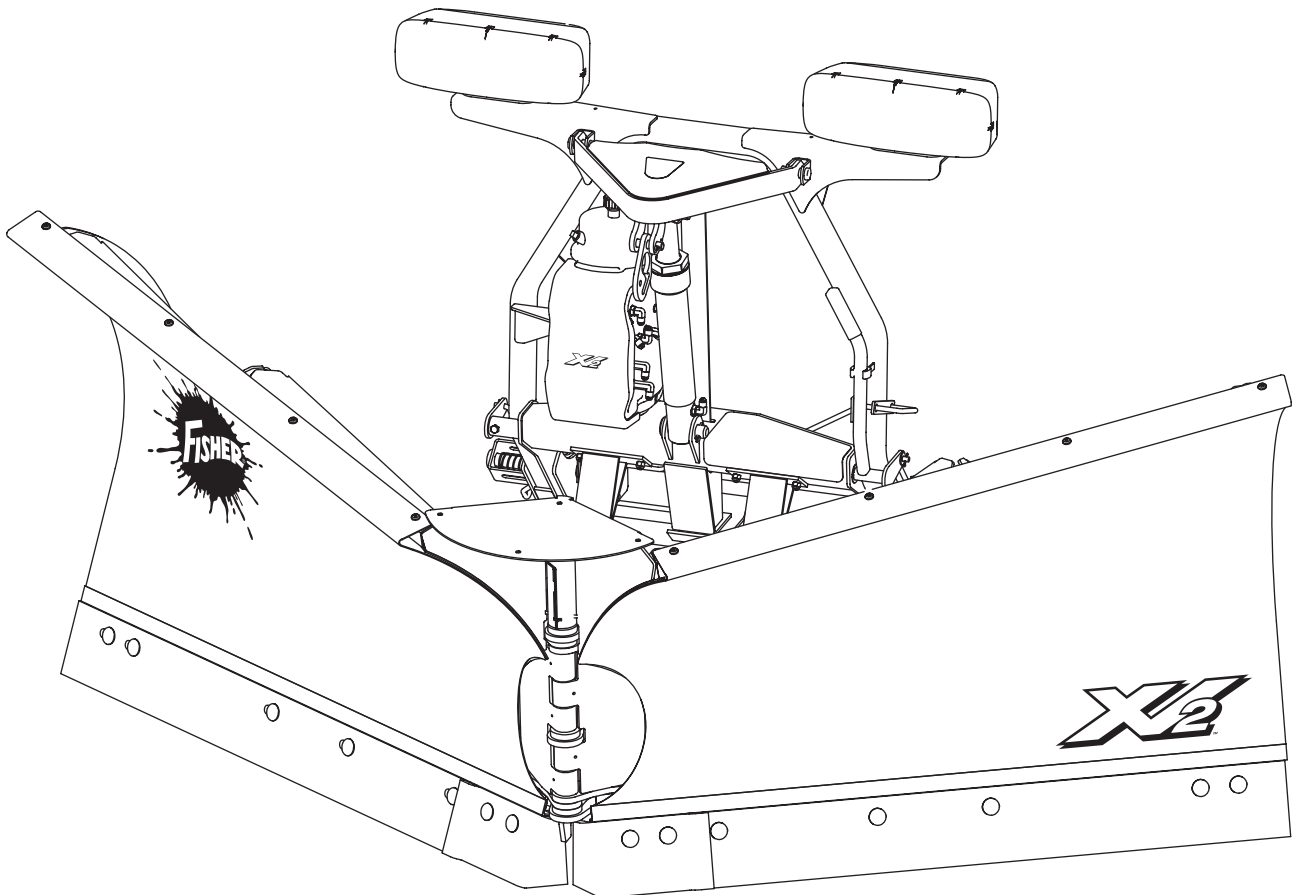


# Blade and Off-Truck Kit

## XV2™ Snowplow

### Includes Central Hydraulics Applications

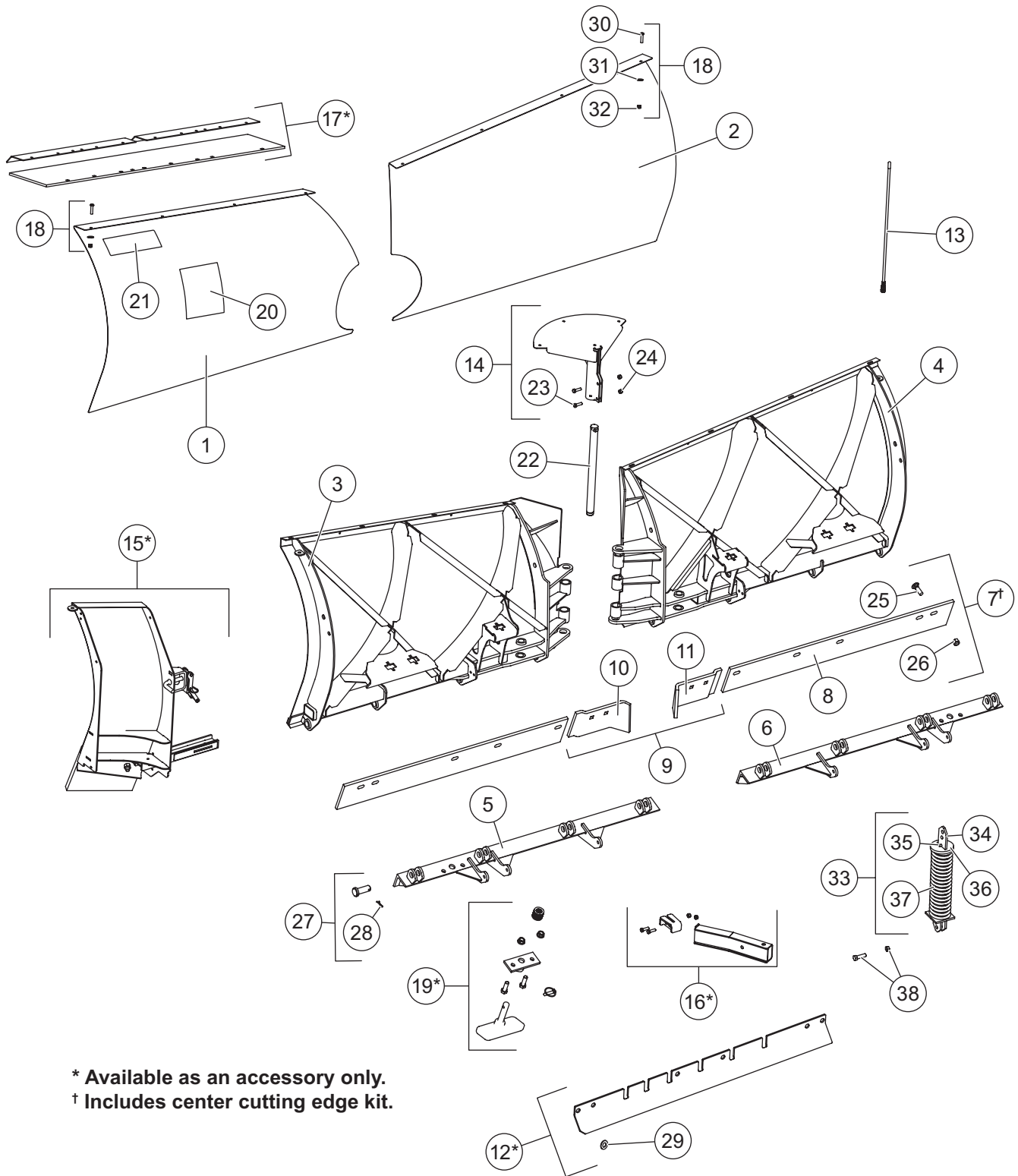
### Parts List





|                                       |    |
|---------------------------------------|----|
| <b>XV2™ BLADE COMPONENTS</b> .....    | 4  |
| <b>XV2 OFF-TRUCK KITS</b> .....       | 6  |
| Headgear and T-Frame Components ..... | 6  |
| Hydraulic Unit Components .....       | 8  |
| Hydraulic Unit Cover Assembly .....   | 10 |
| Lift and Angle Ram Components.....    | 11 |
| Hoses and Fittings .....              | 11 |
| Electrical Components.....            | 12 |
| Vehicle-Side Harness Diagrams.....    | 13 |
| Headlamp Kit .....                    | 15 |

Blade Components – 9'6" Shown



\* Available as an accessory only.  
 † Includes center cutting edge kit.

**86000, 86000-3, 86000-4, 86100(CH), 86100-3(CH), 86100-4(CH)  
86200, 86300, 87000, 87000-3, 87000-4, 87100, 87200, 87300**

| 86000/86100/86200/86300/87000/87100/87200/87300 XV2™ Blade Components |  |             |          |         |         |         |
|---|--|-------------|----------|---------|---------|---------|
| Item  | Description                                    | Part Number |          |         |         |         |
|   |  | 7'6" SS     | 8'6" MS  | 8'6" SS | 9'6" MS | 9'6" SS |
| 1   | Moldboard Kit – DS                             | 43090       | 43092    | 43094   | 43096   | 43098   |
| 2   | Moldboard Kit – PS                             | 43091       | 43093    | 43095   | 43097   | 43099   |
| 3   | Frame, Base Angle & Springs – DS               | 43120       | 43121    |         | 43122   |         |
| 4   | Frame, Base Angle & Springs – PS               | 43123       | 43124    |         | 43125   |         |
| 5   | Base Angle – DS                                | 43126       | 43128    |         | 43130   |         |
| 6   | Base Angle – PS                                | 43127       | 43129    |         | 43131   |         |
| 7†  | Cutting Edge Kit w/Fasteners (3/8")            | 44740-2     | 44741-2  |         | –       |         |
|   | Cutting Edge Kit w/Fasteners (1/2")            | 44742-2*    | 44743-2* |         | 44744-2 |         |
|   | Cutting Edge Kit w/Fasteners (5/8")            | –           | 85361*   |         | 85362*  |         |
| 8   | Cutting Edge (3/8")                            | 44896-1     | 44897    |         | –       |         |
|   | Cutting Edge (1/2")                            | 44996-1*    | 44997*   |         | 44898   |         |
|   | Cutting Edge (5/8")                            | –           | 85355*   |         | 85356*  |         |
| 9   | Center Cutting Edge Kit w/Fasteners            | 44894-1     |          |         |         |         |
|   | Center Cutting Edge Kit w/Fasteners (5/8")     | 85357*      |          |         |         |         |
| 10  | Center Cutting Edge – DS                       | 44891-1     |          |         |         |         |
|   | Center Cutting Edge (5/8") – DS                | 85351*      |          |         |         |         |
| 11  | Center Cutting Edge – PS                       | 44890-1     |          |         |         |         |
|   | Center Cutting Edge (5/8") – PS                | 85352*      |          |         |         |         |
| 12*   | Back Drag Edge Kit                             | 44281-4     | 44282-3  |         | 44283-4 |         |
| 13  | Flexible Blade Guide Set – 26"                 | 27195       |          |         |         |         |
| 14  | Center Snow Control Kit                        | 43118       |          |         |         |         |
| 15*   | Blade Wing Extension Kit                       | –           | 43510-1  |         |         |         |
| 16*   | Blade Stop Kit                                 | 43082-1     |          |         |         |         |
| 17*   | Rubber Deflector Kit – 10"                     | 41812-1     |          |         |         |         |
| ns  | Rubber Deflector Kit – 18"                     | 41813-1*    |          |         |         |         |
| 18  | Moldboard Fasteners Kit                        | 43289       | 43890    | 43289   | 43890   | 43289   |
| 19*   | Shoe Kit                                       | 50700       |          |         |         |         |
| 20  | Label – Warning/Caution, Snowplows             | 59900       |          |         |         |         |
| 21  | Label – Logo, STORM GUARD™ (MS moldboard)      | 26211       |          |         |         |         |
| ns  | Label – Logo, FISHER® Splatter 13-1/4 x 14-1/2 | 20238       |          |         |         |         |
| ns  | Label – Logo, XV2                              | 43224       |          |         |         |         |
| ns  | Label Replacement Kit – V-Plows                | 42490       |          |         |         |         |

MS = Mild Steel

SS = Stainless Steel

ns = not shown

\* Accessory only.

† Includes center cutting edge kit.

| Springs and Fasteners |       |                               |      |      |      |      |  |             |      |      |      |
|-----------------------|-------|-------------------------------|------|------|------|------|--|-------------|------|------|------|
| Item                  | Part  | Description                   | Qty  |      |      | Item | Part   | Description | Qty  |      |      |
|                       |       |                               | 7'6" | 8'6" | 9'6" |      |  |             | 7'6" | 8'6" | 9'6" |
| 22                    | 49844 | Pivot Pin                     | 1    | 1    | 1    | 32   | 3/8-16 Hex Locknut G5  | 8           | 8    | 8    |      |
| 23**                  |       | 3/8-16 x 2 Hex Cap Screw G5   | 2    | 2    | 2    | 33   | 21452 Removable Spring Assembly  | 4           | 4    | 6    |      |
| 24**                  |       | 3/8-16 Hex Locknut GB         | 2    | 2    | 2    | 34   | 21450 Removable Spring Bar   | 4           | 4    | 6    |      |
| 25                    |       | 5/8-11 x 2 Carriage Bolt G5   | 14   | 14   | 14   | 35   | 20181 1/4 x 1-1/4 Pin  | 4           | 4    | 6    |      |
| 26                    |       | 5/8-11 Hex Locknut GB         | 14   | 14   | 14   | 36   | 20191 Removable Spring Disc  | 4           | 4    | 6    |      |
| 27                    | 27241 | 1 x 2-3/4 Clevis Pin w/Cotter | 6    | 8    | 8    | 37   | 5323 Trip Spring   | 4           | 4    | 6    |      |
| 28                    |       | 1/4 x 1-3/4 Cotter Pin        | 8    | 8    | 8    | 38   | 40905 Shoulder Bolt w/Locknut  | 4           | 4    | 6    |      |
| 29*                   | 63927 | 5/8 Flat Washer               | 14   | 14   | 14   | ns   | 44763 Bolt Bag – Cutting Edge Kits<br>(one side – 5 sets of fasteners) | 2           | 2    | 2    |      |
| 30                    | 98035 | 3/8-16 x 1 Button Cap Screw   | 8    | 8    | 8    |      |  |             |      |      |      |
| 31                    |       | 3/8 Hardened Washer           | 8    | 8    | 8    | ns   | 43620* Bolt Bag – Rubber Deflector                                     | 1           | 1    | 1    |      |

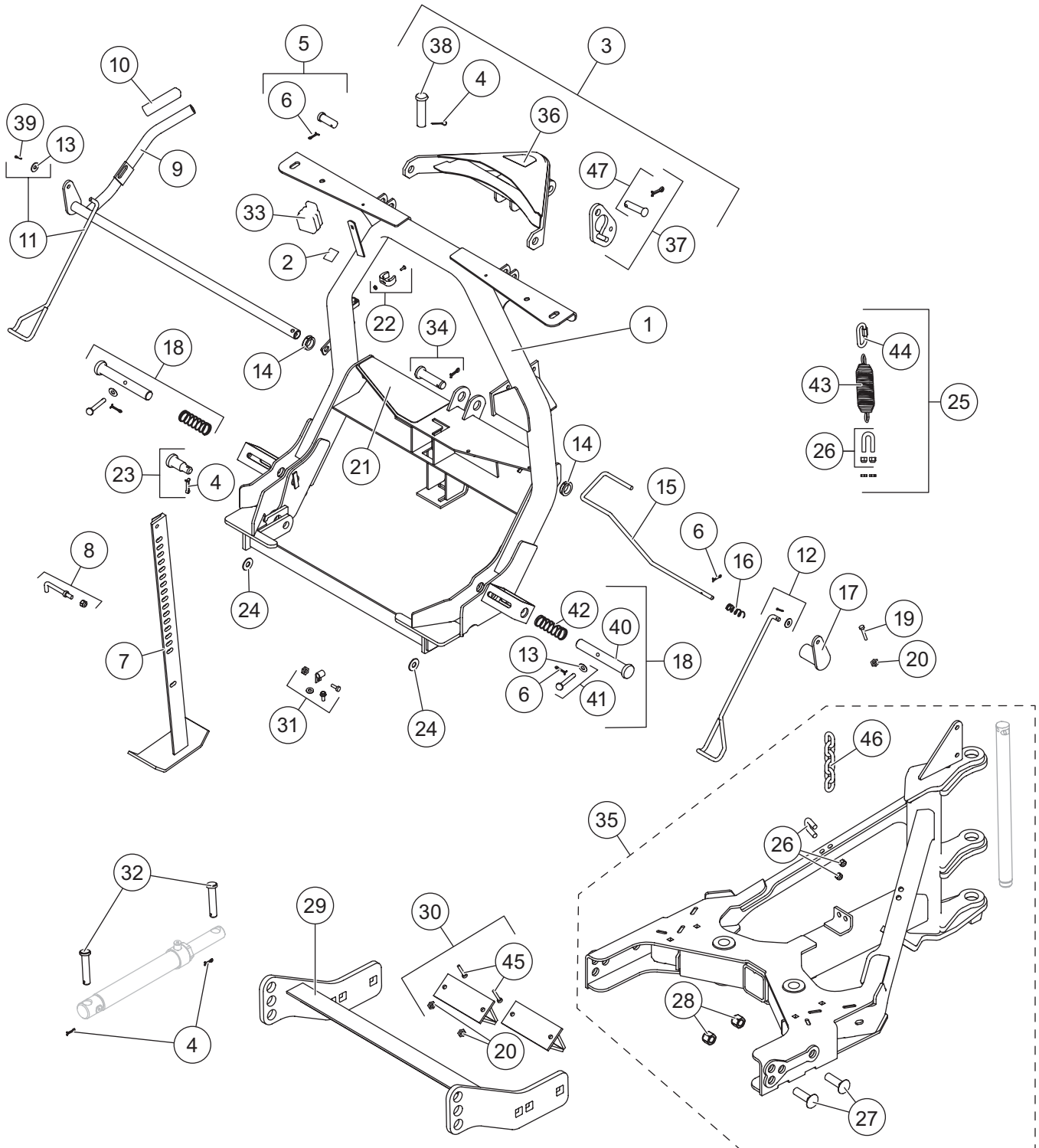
ns = not shown

\* Accessory only.

\*\* Packed w/headgear.

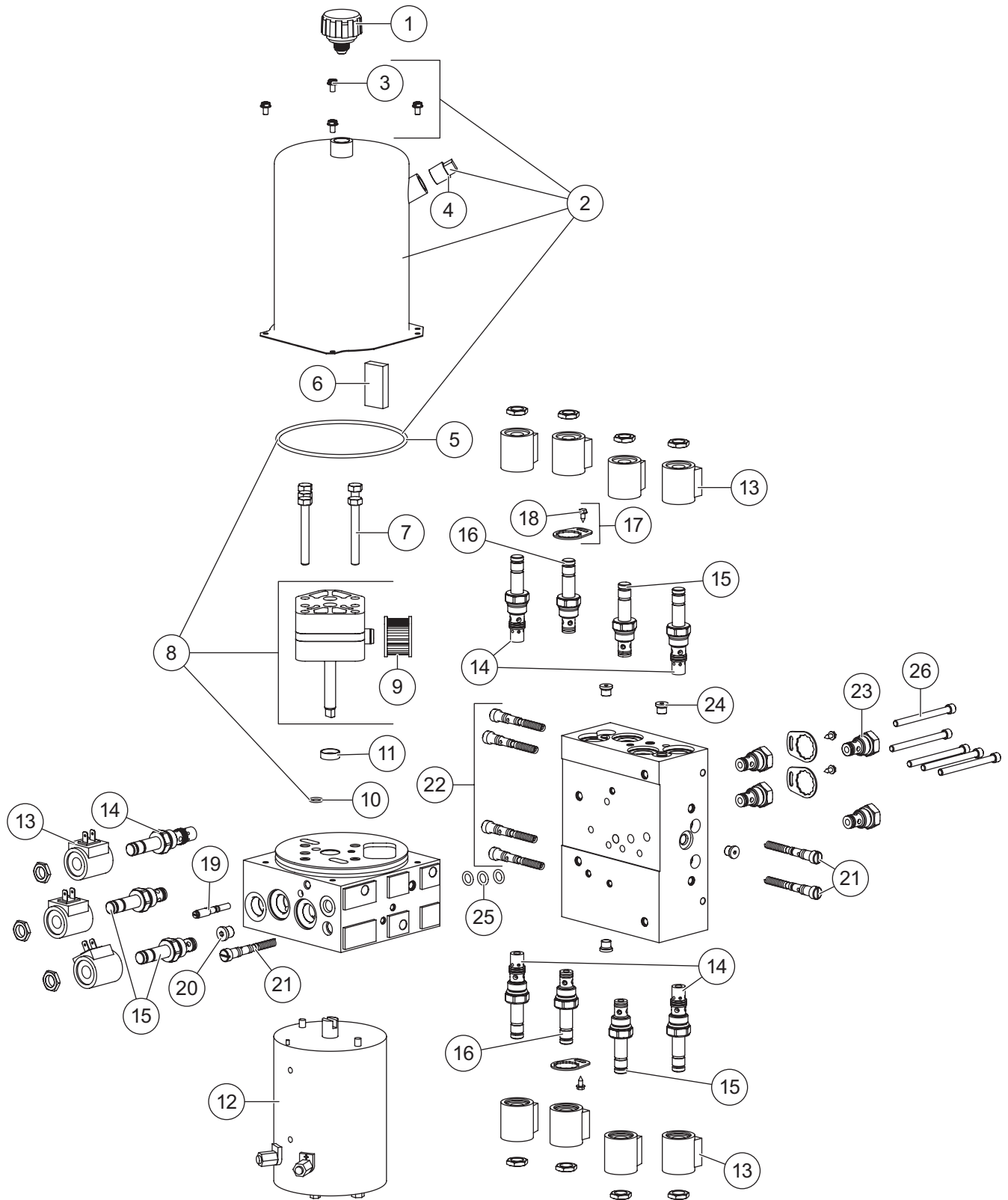
G = Grade

Headgear and T-Frame Components





### Hydraulic Unit Components



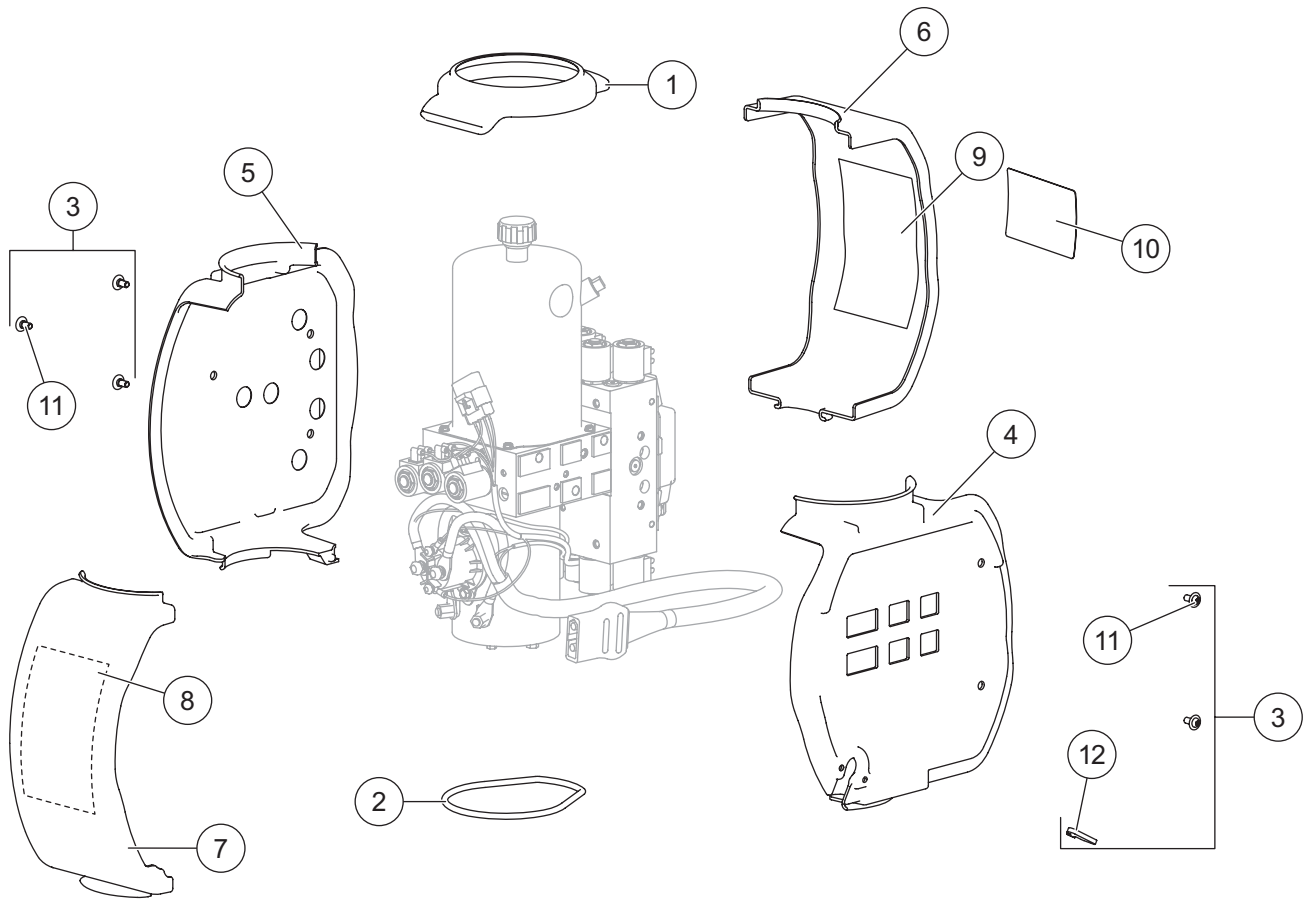


**86000, 86000-3, 86000-4, 86100(CH), 86100-3(CH), 86100-4(CH)  
86200, 86300, 87000, 87000-3, 87000-4, 87100, 87200, 87300**

| <b>44330 XV2™ Hydraulic Unit</b><br>(not applicable to central hydraulics) |             |            |   |             |             |            |  |
|--|-------------|------------|---|-------------|-------------|------------|--|
| <b>Item</b>  | <b>Part</b> | <b>Qty</b> | <b>Description</b>                                | <b>Item</b> | <b>Part</b> | <b>Qty</b> | <b>Description</b>   |
| 1  | 21727-2     | 1          | Breather Pressure Control                         | 17          | 44369       | 4          | Valve Lock Ring w/Screw  |
| 2  | 44327-3     | 1          | Reservoir Kit                                     | 18          | 63943       | 4          | #8-18 x 3/8 Tapping Screw                                      |
| 3  | 66607       | 4          | #10-24 x 5/16 Machine Screw                       | 19          | 48517       | 1          | Quill Assembly 1/2-20 Thread                                   |
| 4  | 92079       | 1          | Plug, Square 3/8 NPTF                             | 20          | 44344       | 1          | Plug, Hex Socket –4 M ORB                                      |
| 5  | 66519       | 1          | O-Ring 2-250                                      | 21          | 7629K-4     | 1-1/2      | Relief Valve Kit (2 sets)                                      |
| 6  | 73897       | 1          | Magnet  | 22          | 44337       | 2          | Relief Valve Kit (2 sets)                                      |
| 7  | 90080       | 5          | 5/16-18 x 2-1/2 Hex Cap Screw G5                  | 23          | 44333-1     | 4          | Check Valve CV08-20  |
| 8  | 44329-2     | 1          | Pump Kit  | 24          | 92960       | 4          | Plug, Hex Socket –3 M ORB                                      |
| 9  | 26781-4     | 1          | Suction Filter                                    | 25          | 29077       | 3          | O-Ring -110  |
| 10   | 56274       | 1          | O-Ring -013                                       | 26          | 29081       | 5          | 1/4-20 x 3 Socket Cap Screw                                    |
| 11   | 66515       | 1          | Pump Shaft Seal                                   | ns          | 29099       | 2          | 1/4-20 x 1/4 Hex Washer-Head<br>Thread-Rolling Screw           |
| 12   | 21500K-1    | 1          | Motor Assembly 4-1/2"                             | ns          | 44326       | 1          | 1/4-20 x 1/2 6-Lobe Round<br>Washer-Head Screw (pkg of 5)      |
| 13   | 7639K-2     | 11         | Coil with Spade Terminals                         | ns          | 44355       | 2          | 1/4-20 x 5/8 Hex Washer-Head<br>Thread-Rolling Screw           |
| 14   | 44331       | 5          | Valve SVCV08-20 w/Nut                             |             |             |            |  |
| 15   | 7634K-2     | 4          | Valve SV08-2004 w/Nut                             |             |             |            |  |
| 16   | 44335       | 2          | Valve SF08-2015 w/Nut                             |             |             |            |  |
| <b>O-Ring Service Kits</b>   |             |            |   |             |             |            |  |
| –  | 7632K-5*    | –          | Back-Up/O-Ring Kit                                | –           | 49259-2     | –          | Seal Kit, Valves SV08-30, -31, -33,<br>-40, -43, and SVCV08-20 |
| –  | 49258-2     | –          | Seal Kit, Valves SV08-2004,<br>CV08-20, SF08-2015 |             |             |            |  |
| ns = not shown   |             |            | M = Male  |             | G = Grade   |            |  |

\* Does not contain O-rings for cartridge valves.

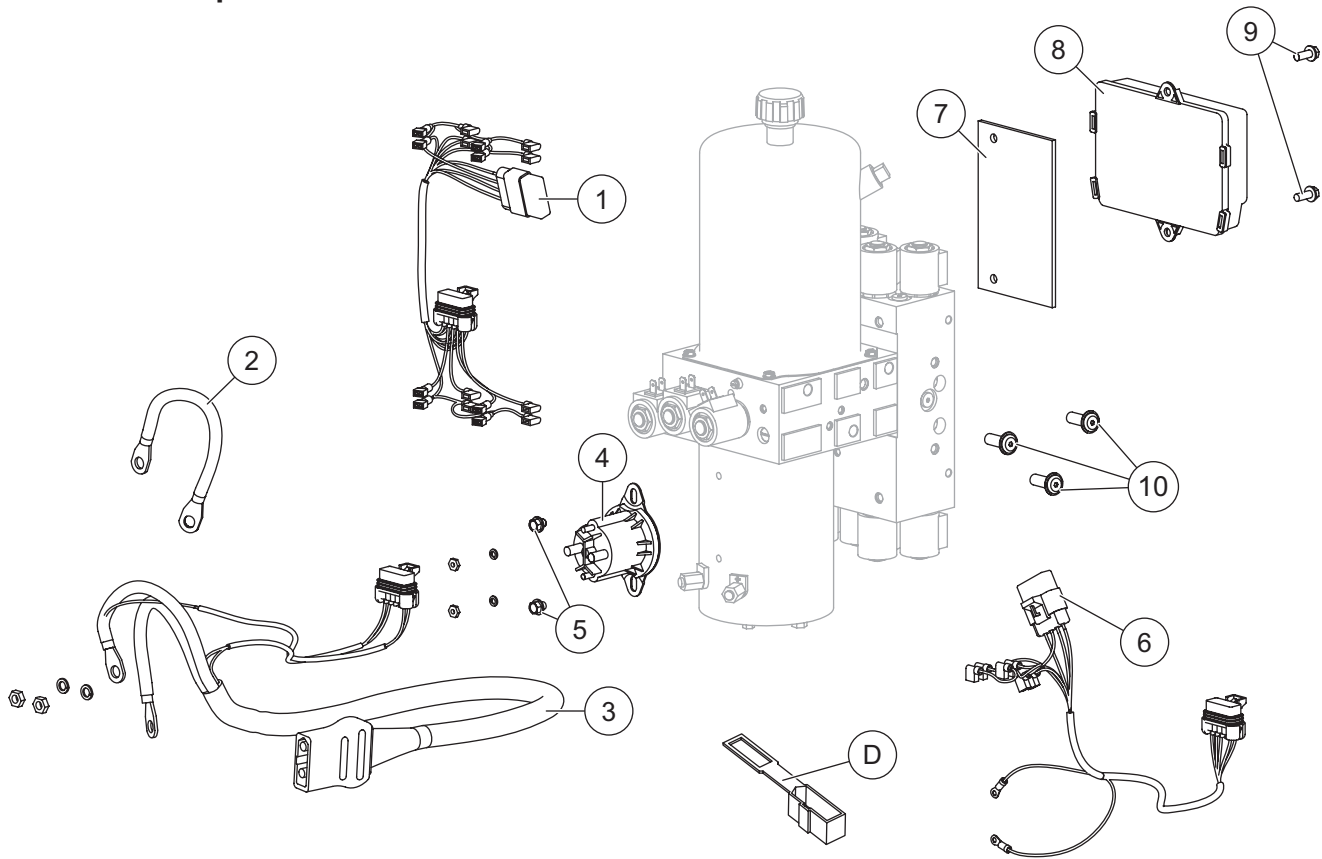
**Hydraulic Unit Cover Assembly**



| 43867 Cover Assembly |              |     |  |      |       |     |                                   |
|----------------------|--------------|-----|--|------|-------|-----|-----------------------------------|
| Item                 | Part         | Qty | Description  | Item | Part  | Qty | Description                       |
| 1                    | 44352        | 1   | Top Retainer Ring  | 6    | 44303 | 1   | Cover, Side 3                     |
| 2                    | 44366        | 1   | Bottom Retainer Ring   | 7    | 44304 | 1   | Cover, Side 4                     |
| 3                    | 44326        | 1   | 1/4-20 x 1/2 6-Lobe Round Washer-Head Screw (pkg of 5) w/8" Cable Tie        | 8    | 44310 | 1   | Label - Information (S1-S3)       |
| 4                    |              | 1   | Cover, Side 1  | 9    | 44319 | 1   | Label - Information (S4-S11)      |
| 5                    |              | 1   | Cover, Side 2  | 10   | 43222 | 1   | Label - Logo, XV2™ Hydraulic Unit |
| <b>Item 3</b>        | <b>44326</b> |     | <b>1/4-20 x 1/2 6-Lobe Round Washer-Head Screw (pkg of 5) w/8" Cable Tie</b> |      |       |     |                                   |
| 11                   |              | 5   | 1/4-20 x 1/2 6-Lobe Round Washer-Head Screw                                  | 12   | 59223 | 1   | Cable Tie 8"                      |
|                      |              |     |  | ns   | 61536 | 1   | Cable Tie 14"                     |
| ns = not shown       |              |     |  |      |       |     |                                   |



**Electrical Components**



| Plow-Side Electrical Components |         |     |   |      |         |  |
|---------------------------------|---------|-----|---|------|---------|--|
| Item                            | Part    | Qty | Description                                       | Item | Part    | Qty Description                                      |
| 1                               | 28583   | 1   | Harness Plow Control, 8-Solenoid                  | 8    | 44354-3 | 1 Plow Module  |
| 2                               | 29071   | 1   | Cable Assembly 8"                                 | 9    | 44355   | 2 1/4-20 x 5/8 Hex Washer-Head Thread-Rolling Screw  |
| 3                               | 42015   | 1   | Snowplow Battery Cable                            | 10   | 98043   | 3 3/8-16 x 1 Button Cap Screw                        |
| 4                               | 42901   | 1   | Motor Relay Kit FLEET FLEX System                 | ns   | 8329K   | 2 Dielectric Grease (pkg of 2)                       |
| 5                               | 29099   | 2   | 1/4-20 x 1/4 Hex Washer-Head Thread-Rolling Screw | ns   |         | 4 Fuse, 4A Mini Automotive-Style (for items 1 and 6) |
| 6                               | 28581-1 | 1   | Harness Plow Control, 3-Solenoid                  |      |         |  |
| 7                               | 44308   | 1   | Spacer Module                                     |      |         |  |

ns = not shown

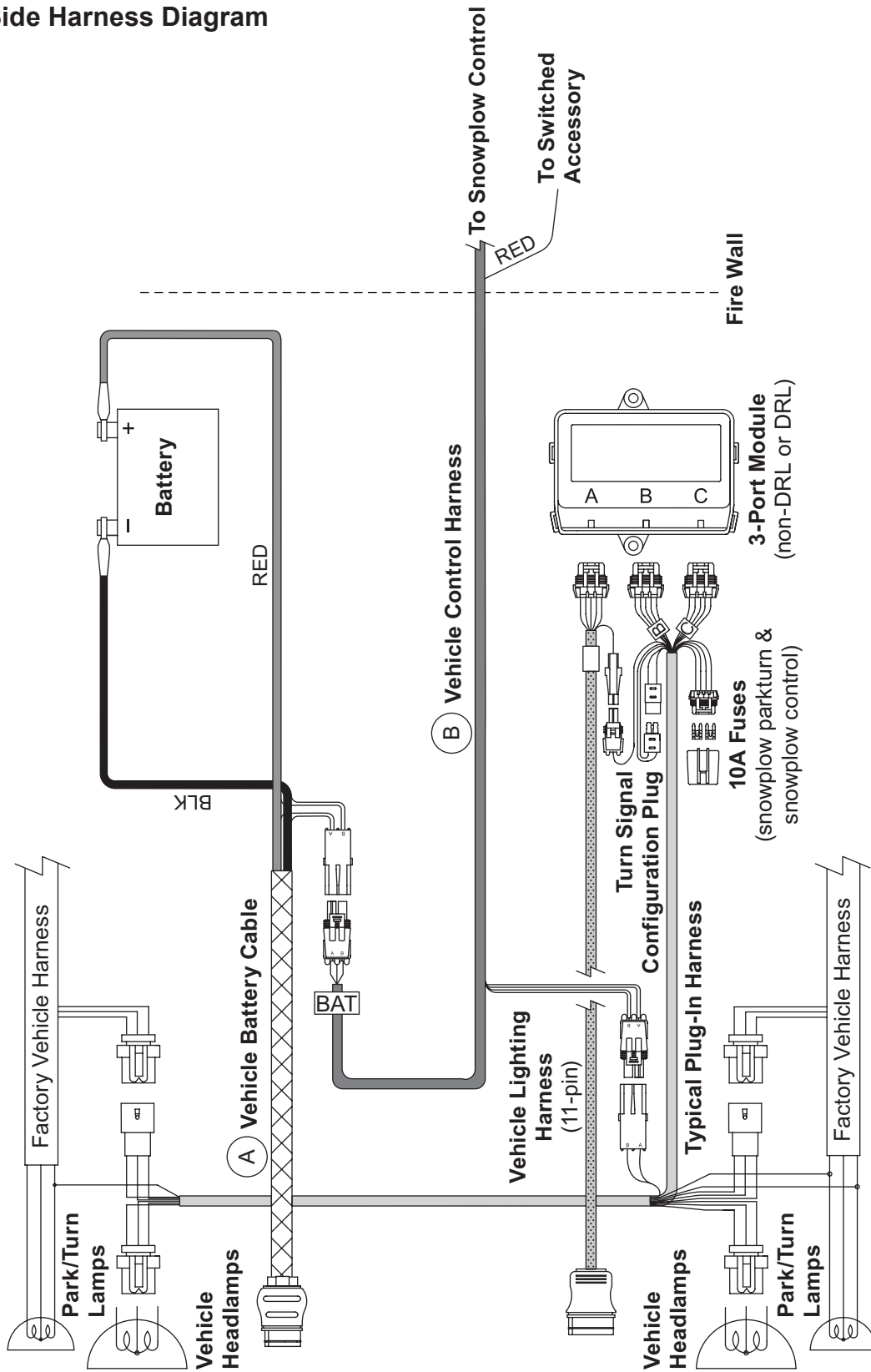
| Vehicle-Side Electrical Components<br>(diagrams on following pages) |       |     |  |      |        |   |
|---|-------|-----|--|------|--------|---|
| Item  | Part  | Qty | Description                                  | Item | Part   | Qty Description   |
| A†  | 72527 | 1   | Vehicle Battery Cable                        | D    | 61548K | 1 Plug Cover Kit (shown with plow-side electrical components) |
| B*  | 28587 | 1   | Vehicle Control Harness                      |      |        |   |
| C**   | 26498 | 1   | Vehicle Control Harness – Central Hydraulics |      |        |   |

\* See Vehicle-Side Harness Diagram.

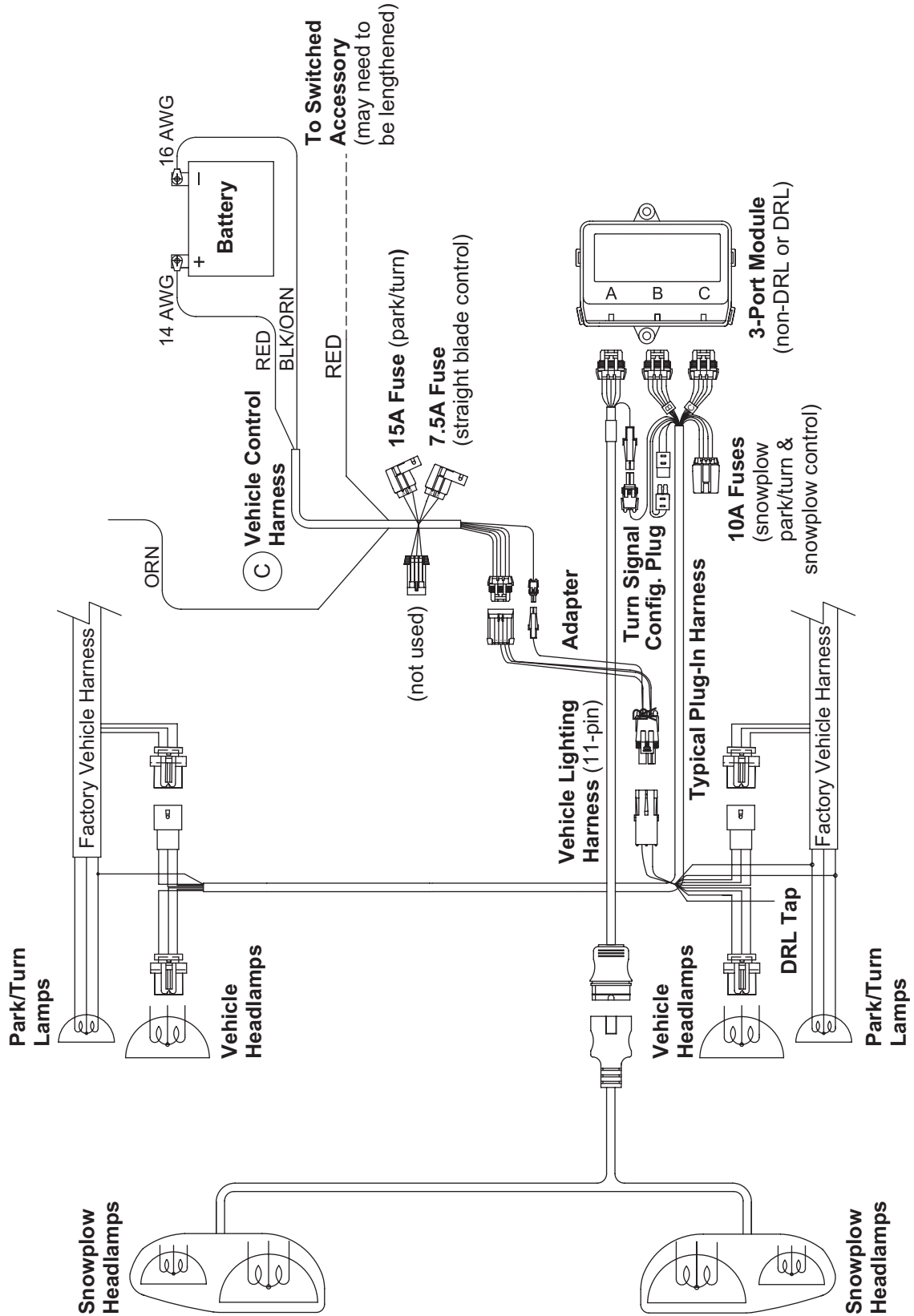
\*\* See Vehicle-Side Harness Diagram – Central Hydraulics.

† Not used for central hydraulics.

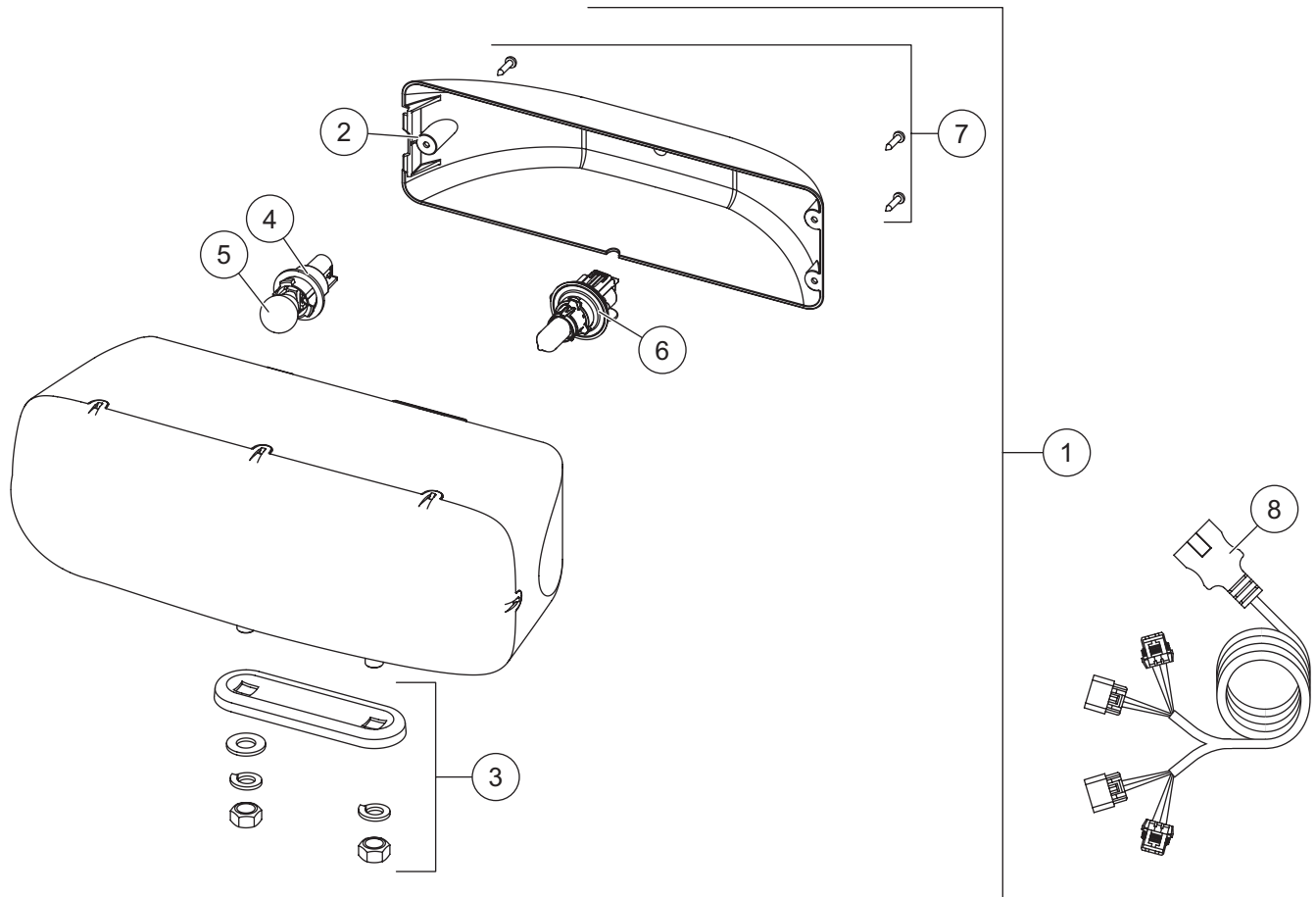
Vehicle-Side Harness Diagram



Vehicle-Side Harness Diagram – Central Hydraulics



**Headlamp Kit**



| 28800-1 Headlamp Kit (pair) |         |     |                                     |      |         |     |                                     |
|-----------------------------|---------|-----|-------------------------------------|------|---------|-----|-------------------------------------|
| Item                        | Part    | Qty | Description                         | Item | Part    | Qty | Description                         |
| 1                           | 28802-1 | 1   | Headlamp Service Kit – PS           | 5    |         | 2   | Park/Turn Bulb (trade no. 4157NAK)  |
| ns                          | 28801-1 | 1   | Headlamp Service Kit – DS           | 6    | 28806   | 2   | Headlamp Bulb Service Kit H13       |
| 2                           | 28803-1 | 2   | Rear Cover Kit (fits 2- or 3-screw) | 7    | 28808-1 | 2   | Cover Screws Service Kit (pkg of 3) |
| 3                           | 28804   | 2   | Mounting Hardware Kit               | 8    | 28213K  | 1   | Harness Service Kit                 |
| 4                           | 28805   | 2   | Park/Turn Socket Service Kit        |      |         |     |                                     |

ns = not shown

**86000, 86000-3, 86000-4, 86100(CH), 86100-3(CH), 86100-4(CH),  
86200, 86300, 87000, 87000-3, 87000-4, 87100, 87200, 87300**

---



Fisher Engineering  
50 Gordon Drive  
Rockland, ME 04841-2139  
[www.fisherplows.com](http://www.fisherplows.com)

**A DIVISION OF FISHER, LLC**

Copyright © 2022 Douglas Dynamics, LLC. All rights reserved. This material may not be reproduced or copied, in whole or in part, in any printed, mechanical, electronic, film, or other distribution and storage media, without the written consent of Fisher Engineering. Authorization to photocopy items for internal or personal use by Fisher Engineering outlets or snowplow owner is granted.

Fisher Engineering reserves the right under its product improvement policy to change construction or design details and furnish equipment when so altered without reference to illustrations or specifications used. Fisher Engineering or the vehicle manufacturer may require or recommend optional equipment for snow removal. Do not exceed vehicle ratings with a snowplow. Fisher Engineering offers a limited warranty for all snowplows and accessories. See separately printed page for this important information. The following are registered (®) or unregistered (™) trademarks of Douglas Dynamics, LLC: FISHER®, Minute Mount® 2, SECURITY GUARD™, STORM GUARD™, XV2™.

**Printed in U.S.A.**