



PRO PLUS[®]

PRO PLUS[®] Snowplow

Blades 76901, 76974, 76980

Central Assembly 75700

Central Hydraulics 75710

Parts List

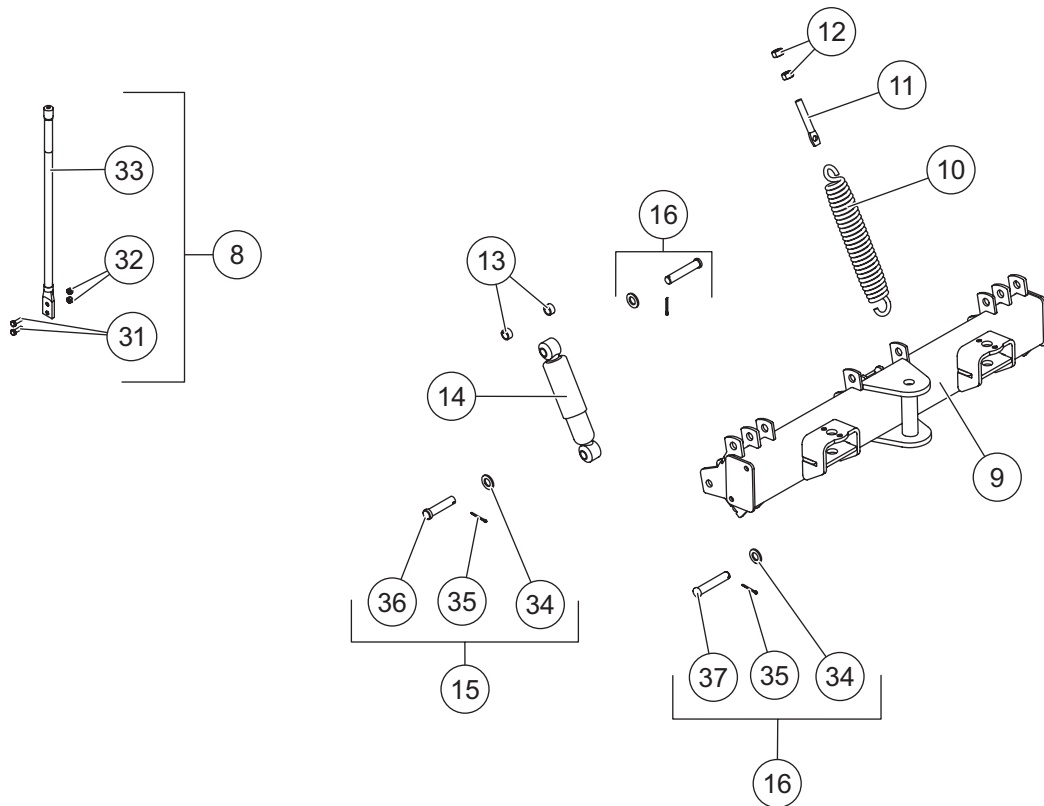
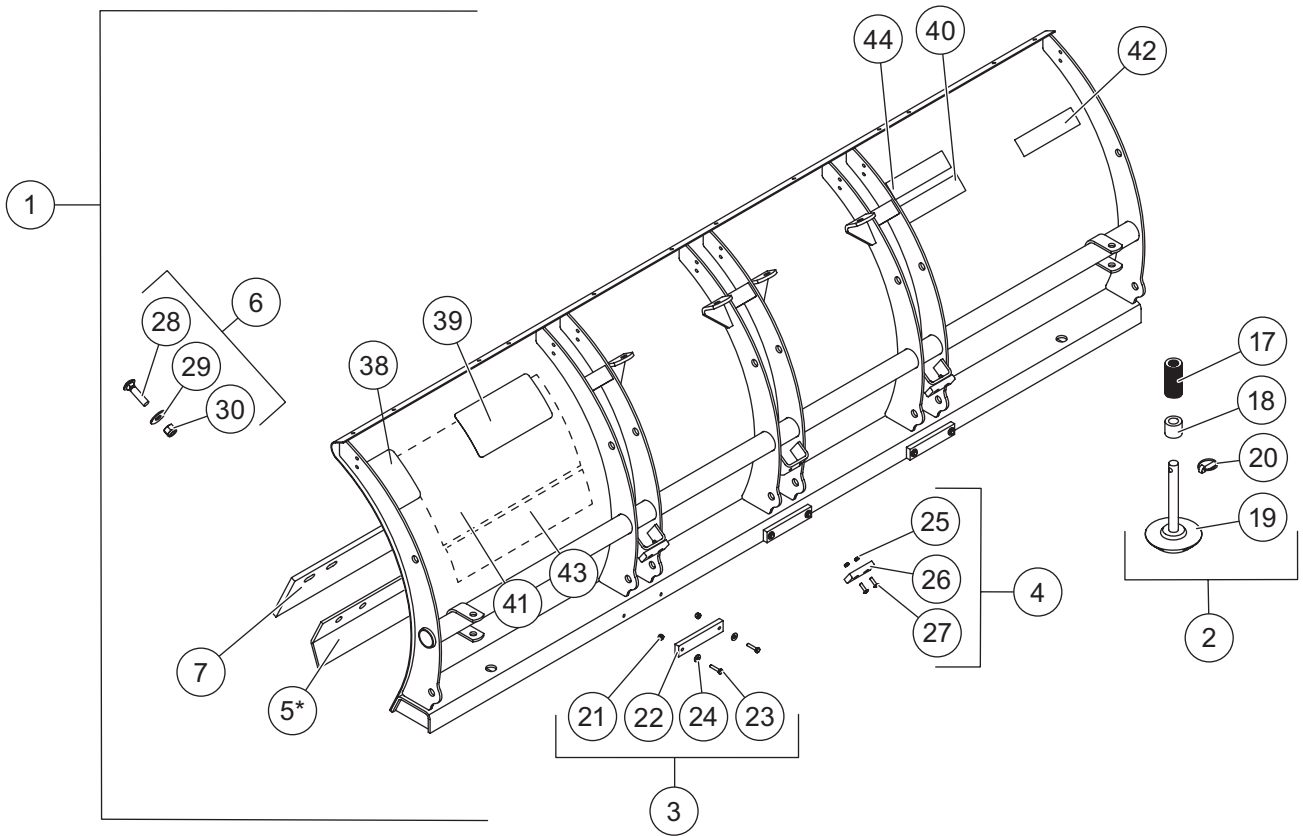


TABLE OF CONTENTS

PRO PLUS® BLADE COMPONENTS	4
PRO PLUS CENTER ASSEMBLY	6
Lift Frame and A-Frame Components	6
Hydraulic Unit Components	8
Lift and Angle Ram Components.....	10
Hoses and Fittings	10
Electrical Components.....	11
Vehicle-Side Harness Diagram – 3-Port, 2-Plug System.....	12
Vehicle-Side Harness Diagram – Central Hydraulics.....	13
Headlamp Kit	14

PRO PLUS® BLADES 76901/76974/76980

Blade Components



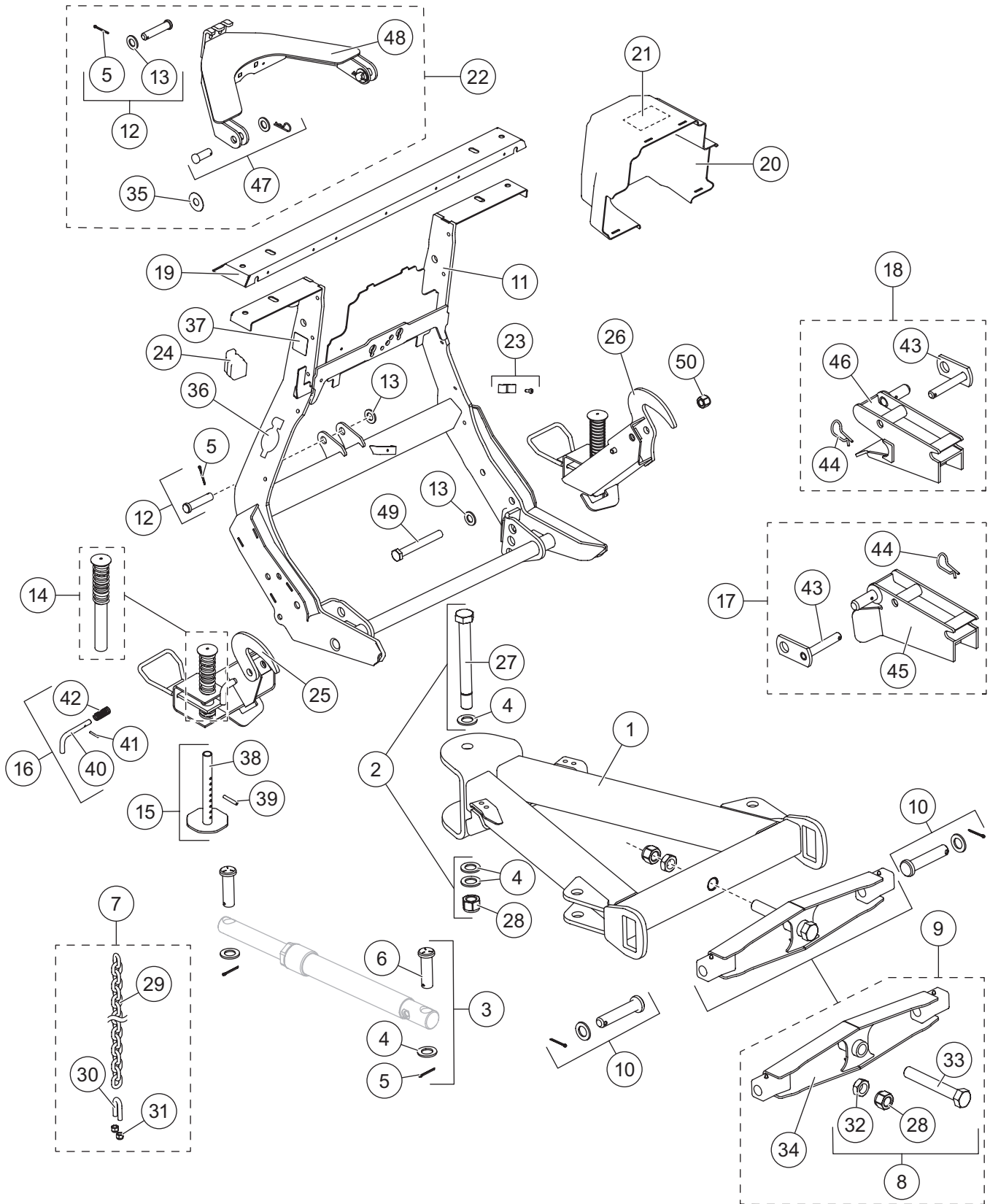
PRO PLUS® BLADES 76901/76974/76980

PRO PLUS Blade Components							
Item	Part	Qty	Description	Item	Part	Qty	Description
1	66901		9' Blade Assembly	8	62595		Blade Guide Kit
	66974		8'6" Blade Assembly	9	66930-1		Quadrant
	66980		8' Blade Assembly	10	23039		Trip Spring
2	49071		Shoe Kit	11	90490		5/8-11 x 4 Eyebolt
3	63977		Trip Stop Kit	12	91416		5/8-11 Hex Nut G5
4	63976		Push Stop Kit	13	63211		Spacer .758 ID x 1 OD x .5 LG
5*	66991		9' Back Drag Edge	14	63979		Shock Absorber
	66999		8'6" Back Drag Edge	15	93063K		3/4 x 3-1/4 Clevis Pin Kit
	66892		8' Back Drag Edge	16	95335		3/4 x 4 Clevis Pin Kit
6	29351		Cutting/Back Drag Edge Bolt Bag	ns	43359		Label Kit – UltraMount® 2 PRO PLUS Blade
7	63990		9' Cutting Edge Kit (incl. item 6)				
	63985		8'6" Cutting Edge Kit (incl. item 6)				
	63980		8' Cutting Edge Kit (incl. item 6)				
Item 2				49071 Shoe Kit			
17	91192	29	Round Flat Washer, Special	19		1	Heavy-Duty Disc Shoe
18	60045	1	Spacer	20	93010K	1	7/16 x 1-3/4 Linchpin
Item 3				63977 Trip Stop Kit			
21		2	1/4-20 Hex Locknut G5	23		2	1/4-20 x 1-1/4 Hex Cap Screw G5
22		1	Bumper	24		2	1/4 Flat Washer
Item 4				63976 Push Stop Kit			
25		2	1/4-20 Hex Jam Locknut GB	27		2	1/4-20 x 3/4 Button Cap Screw
26		1	Bumper				
Item 6				29351 Cutting/Back Drag Edge Bolt Bag			
28	63986	10	5/8-11 x 2-1/2 Carriage Bolt G5	30	91337	10	5/8-11 Hex Locknut GB
29	90576	10	5/8 Hardened Flat Washer				
Item 8				62595 Blade Guide Kit			
31	68494	4	5/16-18 x 1 Hex Cap Screw G5	33	62578	2	Blade Guide, Poly 24" w/Label
32	91332	4	5/16-18 Hex Locknut GB				
Item 15				93063K 3/4 x 3-1/4 Clevis Pin Kit			
34	91147	1	3/4 Flat Washer	36		1	3/4 x 3-1/4 Clevis Pin
35	91911K	1	5/32 x 1-1/2 Cotter Pin Kit				
Item 16				95335 3/4 x 4 Clevis Pin Kit			
34	91147	1	3/4 Flat Washer	37		1	3/4 x 4 Clevis Pin
35	91911K	1	5/32 x 1-1/2 Cotter Pin Kit				
43359 Label Kit, UltraMount 2 PRO PLUS Blade							
38	59900	1	Label – Warning/Caution, Snowplows	42	44451	1	Label – Logo, WESTERN® 8.31"
39	43360	1	Label – Attach/Detach, UltraMount 2	43	91070	1	Label – Logo, PRO PLUS, Large
40	28404	1	Label – Logo, ULTRAFINISH™	44	63991	1	Label – Logo, PRO PLUS, Small
41	43899	1	Label – Logo, CONTRACTOR GRADE®				
ns = not shown				G = Grade			

* Accessory only.

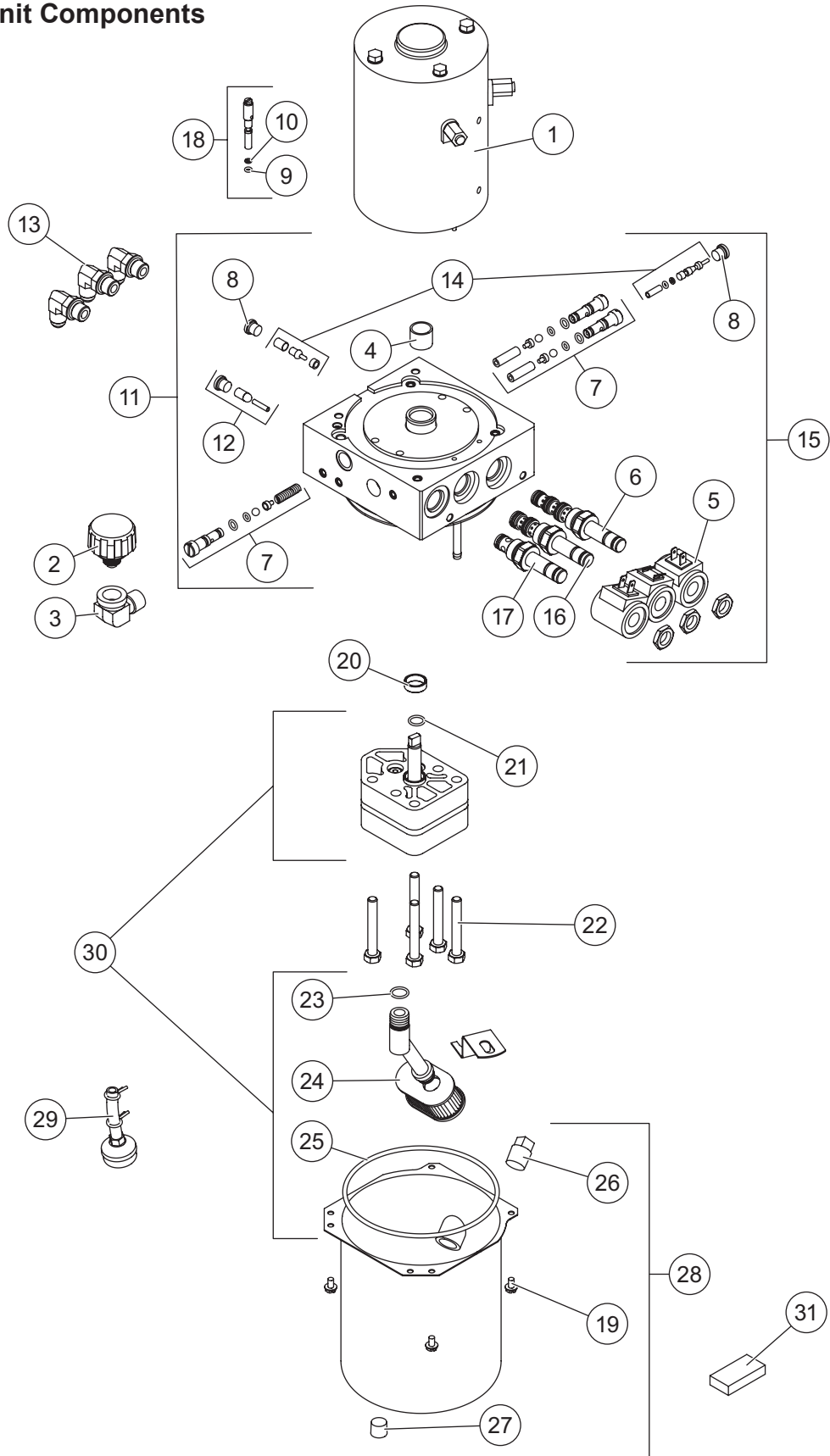
PRO PLUS® CENTER ASSEMBLY 75700/75710(CH)

Lift Frame and A-Frame Components



PRO PLUS® CENTER ASSEMBLY 75700

Hydraulic Unit Components



PRO PLUS® CENTER ASSEMBLY 75700

42345-1 Hydraulic Unit 42348-1* Hydraulic Unit Service Kit (not used for central hydraulics)							
Item	Part	Qty	Description	Item	Part	Qty	Description
1	21500-1	1	Motor, 4-1/2	17	49227K-2	1	Valve, 2-Way w/Nut
2	21727-2K	1	Breather Pressure Control	18	56662	1	Quill Assembly
3	21726K	1	Elbow, Street 90° 3/8 M NPTF/ 3/8 F NPTF	19	66607	4	#10-24 x 5/16 Slotted Hex Washer-Head Machine Screw
4**	64596-1	1	Sleeve Bearing & Shaft Seal Kit	20†	66515	1	Pump Shaft Seal
5	49230K-2	3	Coil w/Spades	21	56274	1	O-Ring -013
6	49229K-1	1	Cartridge Valve, 4-Way w/Nut	22	90073	5	5/16-18 x 2-1/4 Hex Cap Screw
7	49138K-4	1	Relief Valve Kit (2 sets)	23	56416	1	O-Ring -014
8	92960	2	Plug, Hex Socket –3 M ORB	24	56789-4	1	Suction Filter
9	25622	1	O-Ring -006	25	66519	1	O-Ring 2-250
10	56315	1	Back-Up Ring -006	26	92079	1	Plug, Square 3/8 NPTF
11	42346-1	1	Manifold Assembly	27	92095	1	Plug, Hex Socket 1/4 NPTF w/Thread Sealant – SAE 130109N/P
12	56507	1	Bypass Check Valve Kit	28	21830	1	Reservoir Kit
13	77929	3	Elbow, 90° –6 M JIC/–6 M ORB w/Screen	29	66405	1	Return Screen Assembly
14	49226K	1	Poppet Check Valve Kit	30	21501-1	1	Hydraulic Pump Kit
15	42347-1	1	Valve Manifold Assembly	31	73897	1	Magnet
16	66608-1	1	Cartridge Valve, 3-Way w/Nut				
O-Ring Service Kits							
–	56657-5	–	O-Ring & Back-Up Ring Kit	–	49259-2	–	Seal Kit, 3-Way & 4-Way Valve
–	49258-2	–	Seal Kit, 2-Way Valve				
F = Female				M = Male			

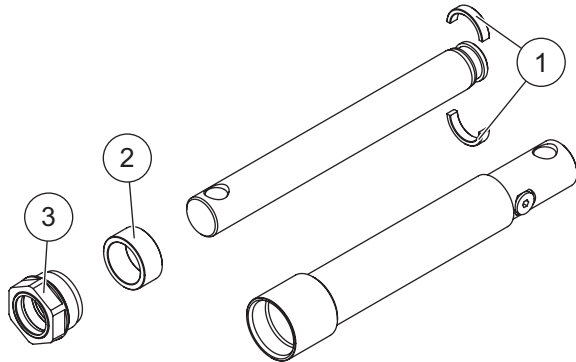
* Includes 42345 hydraulic unit and plow-side electrical components (p. 11).

** Use 64589 tool for bearing sleeve replacement (includes 1 bearing).

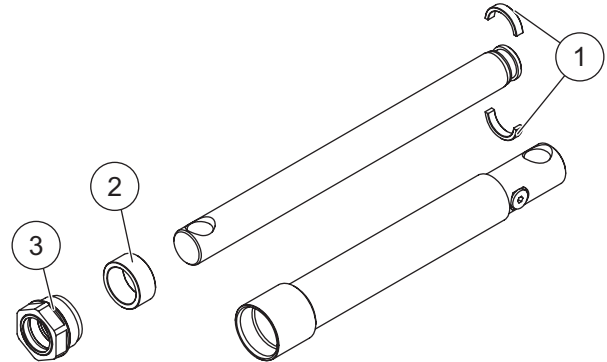
† Use 28856 tool for pump shaft seal replacement (includes 1 seal).

PRO PLUS® CENTER ASSEMBLY 75700/75710(CH)

Lift and Angle Ram Components

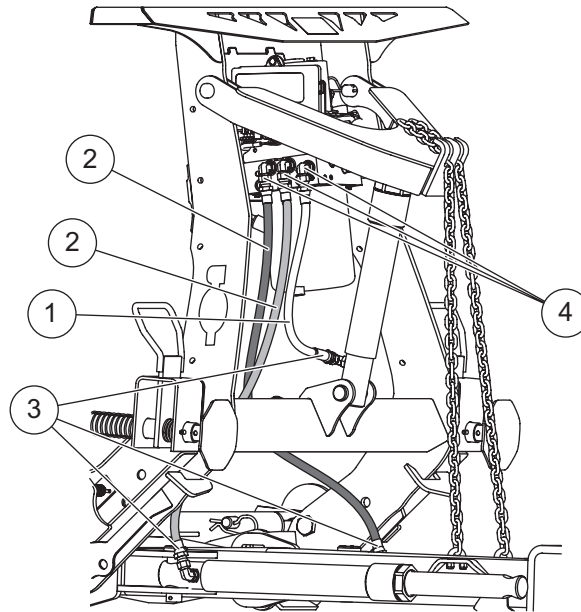


56538K Lift Ram Assembly 1-1/2 x 8			
Item	Part	Qty	Description
1	64650	1	Split Bearing Kit 1-1/2
2	56537	1	Spacer
3	48985	1	Gland Nut Assembly



64148 Angle Ram Assembly 1-1/2 x 12			
Item	Part	Qty	Description
1	64650	1	Split Bearing Kit 1-1/2
2	56537	1	Spacer
3	48985	1	Gland Nut Assembly

Hoses and Fittings

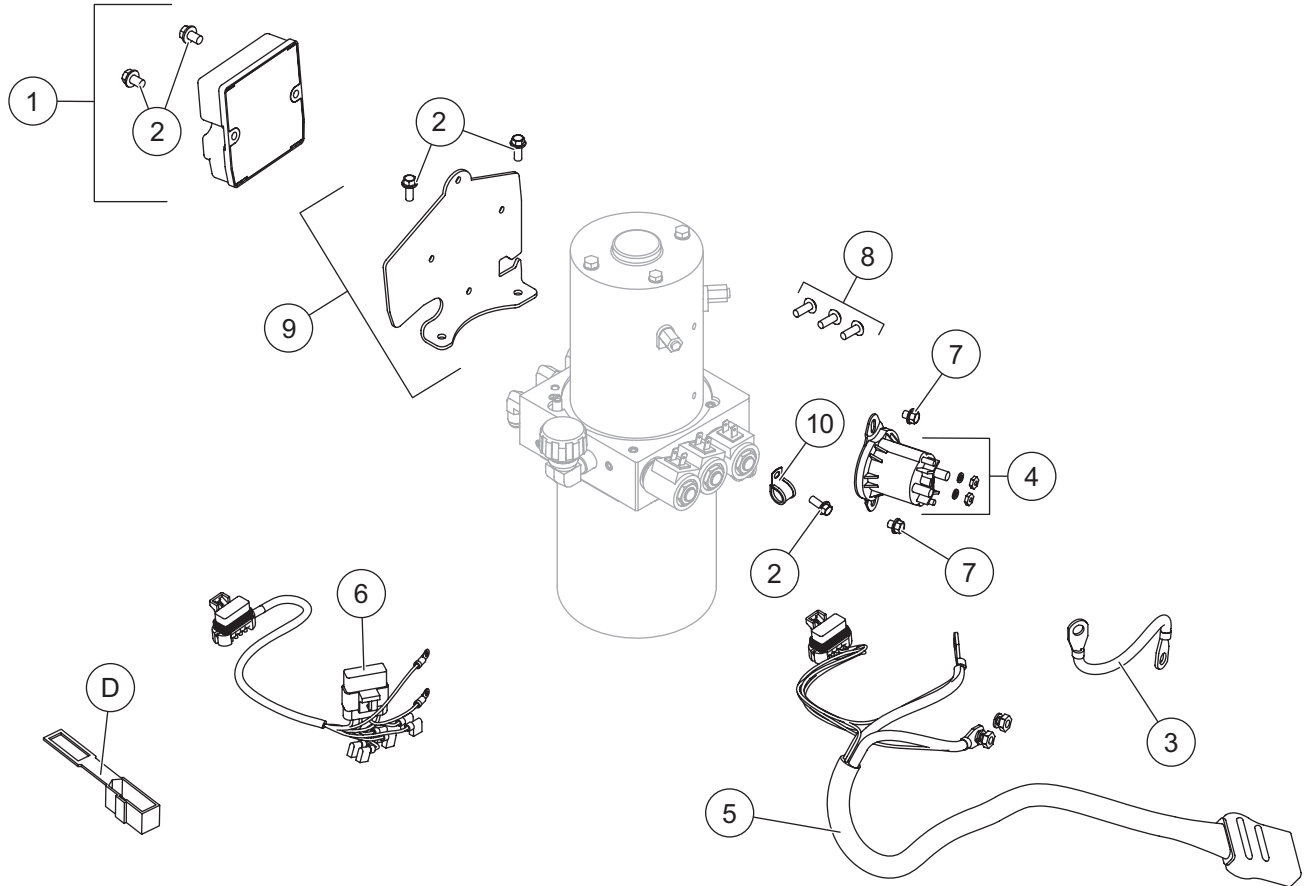


Hoses and Fittings						
Item	Part	Qty	Description	Item	Part	Qty Description
1†	41094	1	Hose, 1/4 x 18 w/F JIC Ends	4	77929	3 Elbow, 90° -6 M JIC/-6 M ORB w/Screen
2†	49496	2	Hose, 3/8 x 42 w/F JIC Ends			
3	56615-1	3	Elbow, 90° -6 M JIC/-6 M ORB			
			F = Female	M = Male		

† Not used for central hydraulics.

PRO PLUS® CENTER ASSEMBLY 75700/75710(CH)

Electrical Components



Plow-Side Electrical Components

Item	Part	Qty	Description	Item	Part	Qty	Description
1	49567	1	Plow Module, 2-Port	7	29099	2	1/4-20 x 1/4 Hex Washer-Head Thread-Rolling Screw
2	44355	5	1/4-20 x 5/8 Hex Washer-Head Thread-Rolling Screw	8	98043	3	3/8-16 x 1 Button Cap Screw
3	29071	1	Cable Assembly 8"	9	42287	1	Bracket – Plow Module
4	42902	1	Motor Relay Kit FLEET FLEX System	10	65340	1	Clamp Loop #10
5	42015	1	Snowplow Battery Cable	ns	56099	1	Dielectric Grease
6	28581-1	1	Harness Plow Control, 3-Solenoid				

ns = not shown

Vehicle-Side Electrical Components

(diagrams on following pages)

A*†	28587	1	Vehicle Control Harness	D	61548K	1	Plug Cover Kit (shown with plow-side electrical components)
B*†	42014	1	Vehicle Battery Cable	E	29998	1	Fuse Cover (pkg of 5)
C**	26498	1	Vehicle Control Harness – Central Hydraulics				

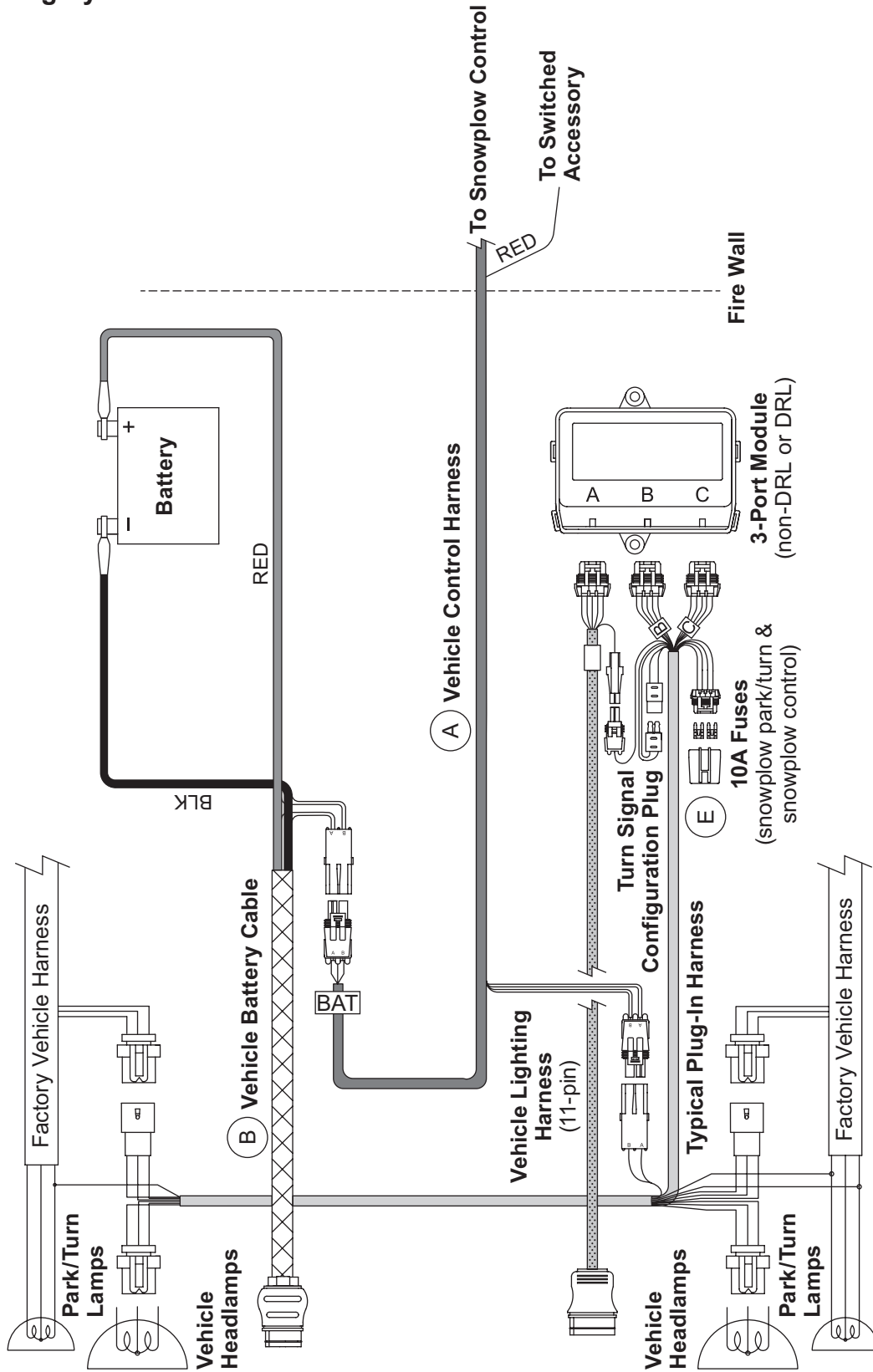
* For diagram, see Vehicle-Side Harness Diagram – 3-Port, 2-Plug System.

** For diagram, see Vehicle-Side Harness Diagram – Central Hydraulics.

† Not used for central hydraulics.

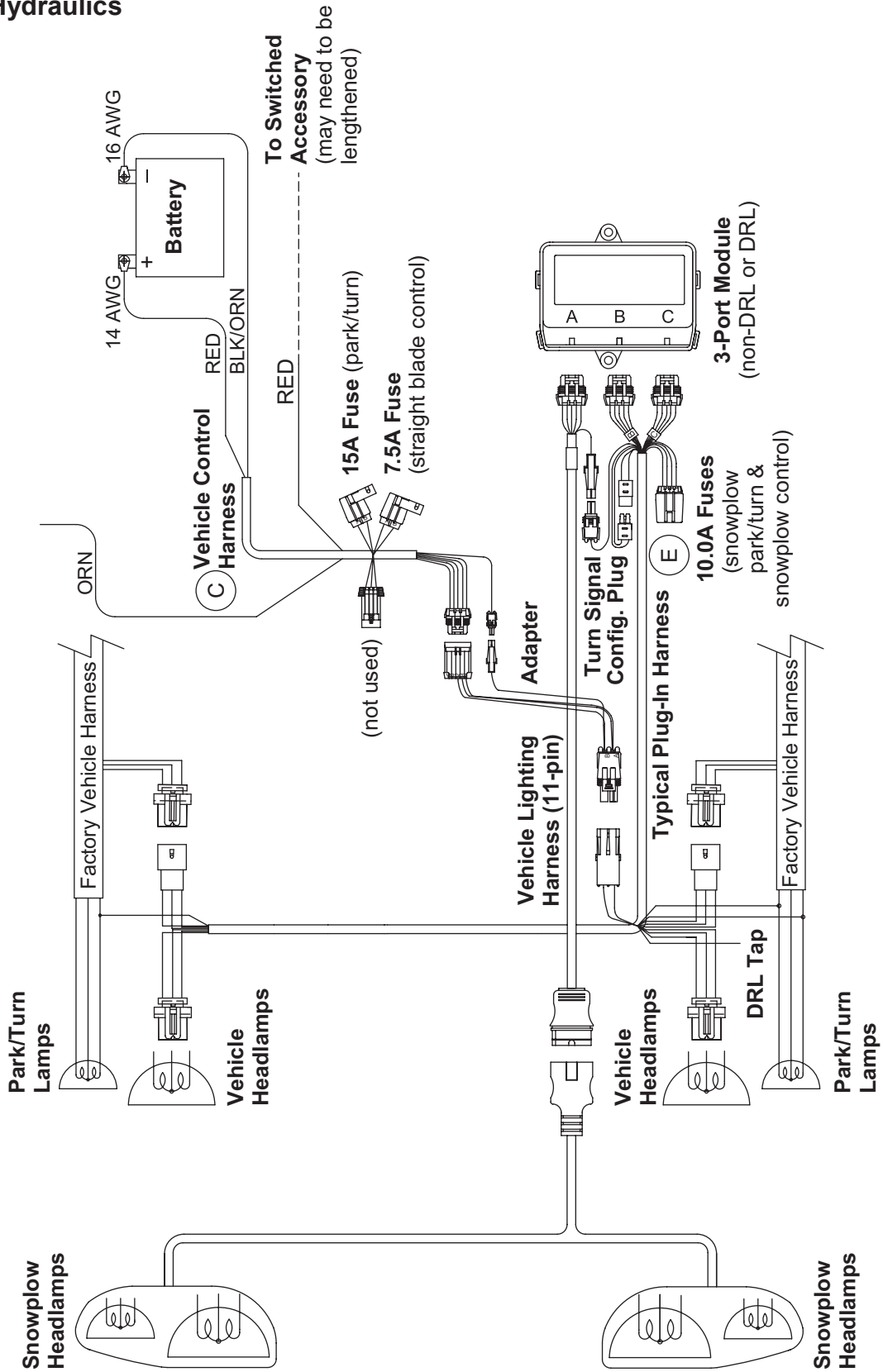
PRO PLUS® CENTER ASSEMBLY 75700

Vehicle-Side Harness Diagram 3-Port, 2-Plug System



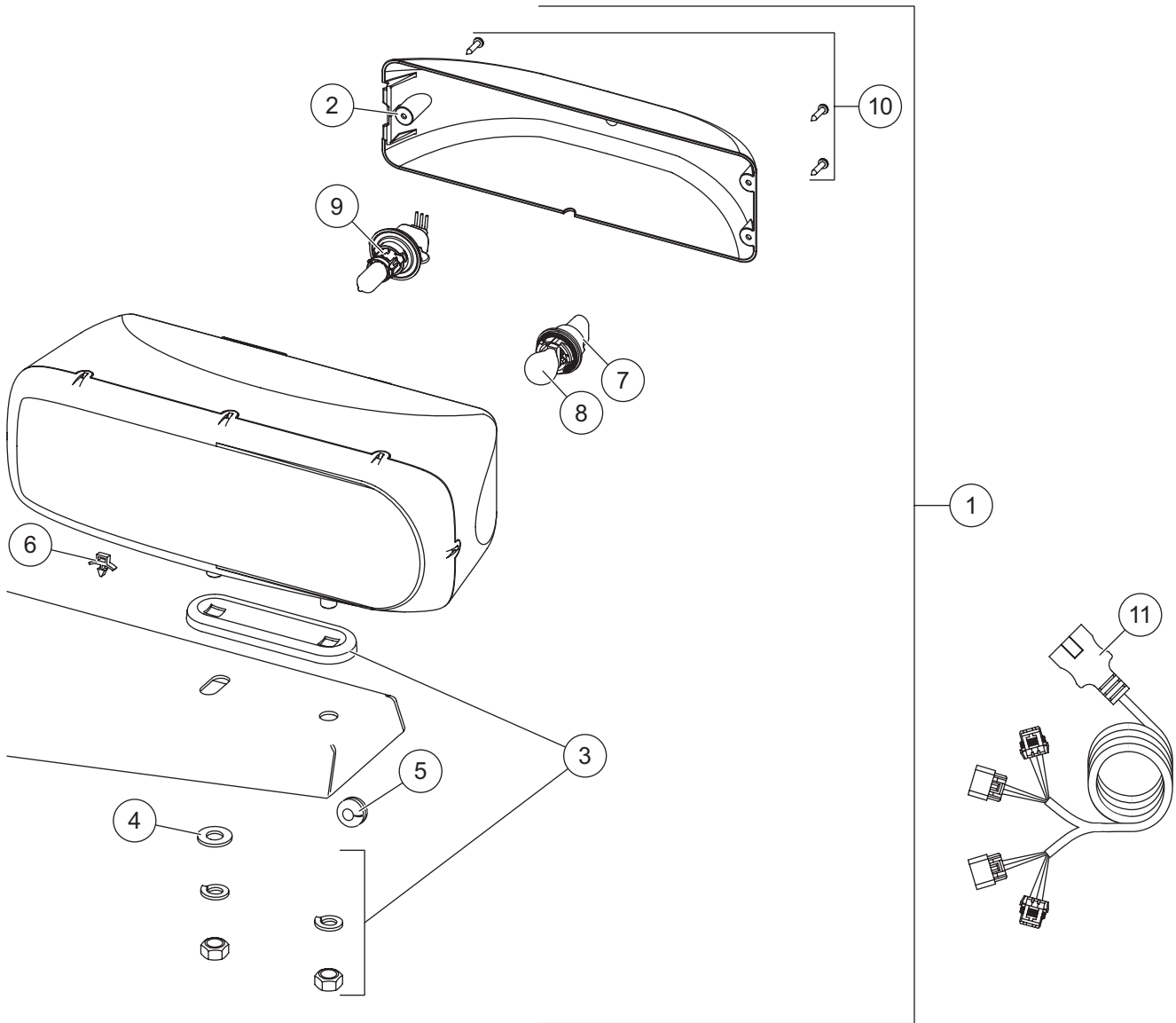
PRO PLUS® CENTER ASSEMBLY 75710(CH)

Vehicle-Side Harness Diagram Central Hydraulics



PRO PLUS® CENTER ASSEMBLY 75700/75710(CH)

Headlamp Kit



28800-1 Headlamp Kit (pair)							
Item	Part	Qty	Description	Item	Part	Qty	Description
1	28801-1	1	Headlamp Service Kit – DS	6	56595	7	Cable Tie Anchor
ns	28802-1	1	Headlamp Service Kit – PS	7	28805	2	Park/Turn Socket Service Kit
2	28803-1	2	Rear Cover Kit (fits 2- or 3-screw)	8		2	Park/Turn Bulb (trade no. 4157NAK)
3	28804	2	Mounting Hardware Kit	9	28806	2	Headlamp Bulb Service Kit H13
4	91105	2	1/2 Flat Washer	10	28808-1	2	Cover Screws Service Kit (pkg of 3)
5	66130	2	Rubber Grommet	11	28213W	1	Harness Service Kit

ns = not shown



Western Products
PO Box 245038
Milwaukee, WI 53224-9538
www.westernplows.com

 A DIVISION OF DOUGLAS DYNAMICS, LLC

Copyright © 2022 Douglas Dynamics, LLC. All rights reserved. This material may not be reproduced or copied, in whole or in part, in any printed, mechanical, electronic, film, or other distribution and storage media, without the written consent of Western Products. Authorization to photocopy items for internal or personal use by Western Products outlets or snowplow owner is granted.

Western Products reserves the right under its product improvement policy to change construction or design details and furnish equipment when so altered without reference to illustrations or specifications used. Western Products or the vehicle manufacturer may require or recommend optional equipment for snow removal. Do not exceed vehicle ratings with a snowplow. Western Products offers a limited warranty for all snowplows and accessories. See separately printed page for this important information. The following are registered (®) or unregistered (™) trademarks of Douglas Dynamics, LLC: CONTRACTOR GRADE®, PRO PLUS®, SECURITY GUARD™, ULTRAFINISH™, UltraMount® 2, WESTERN®.

Printed in U.S.A.