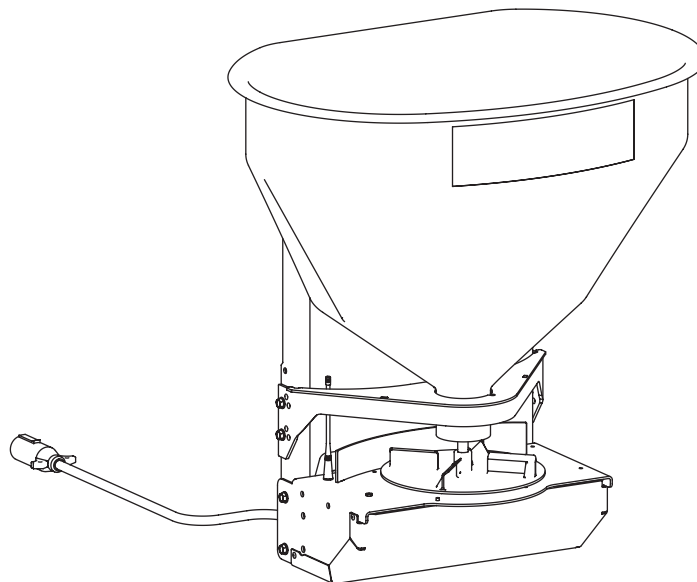




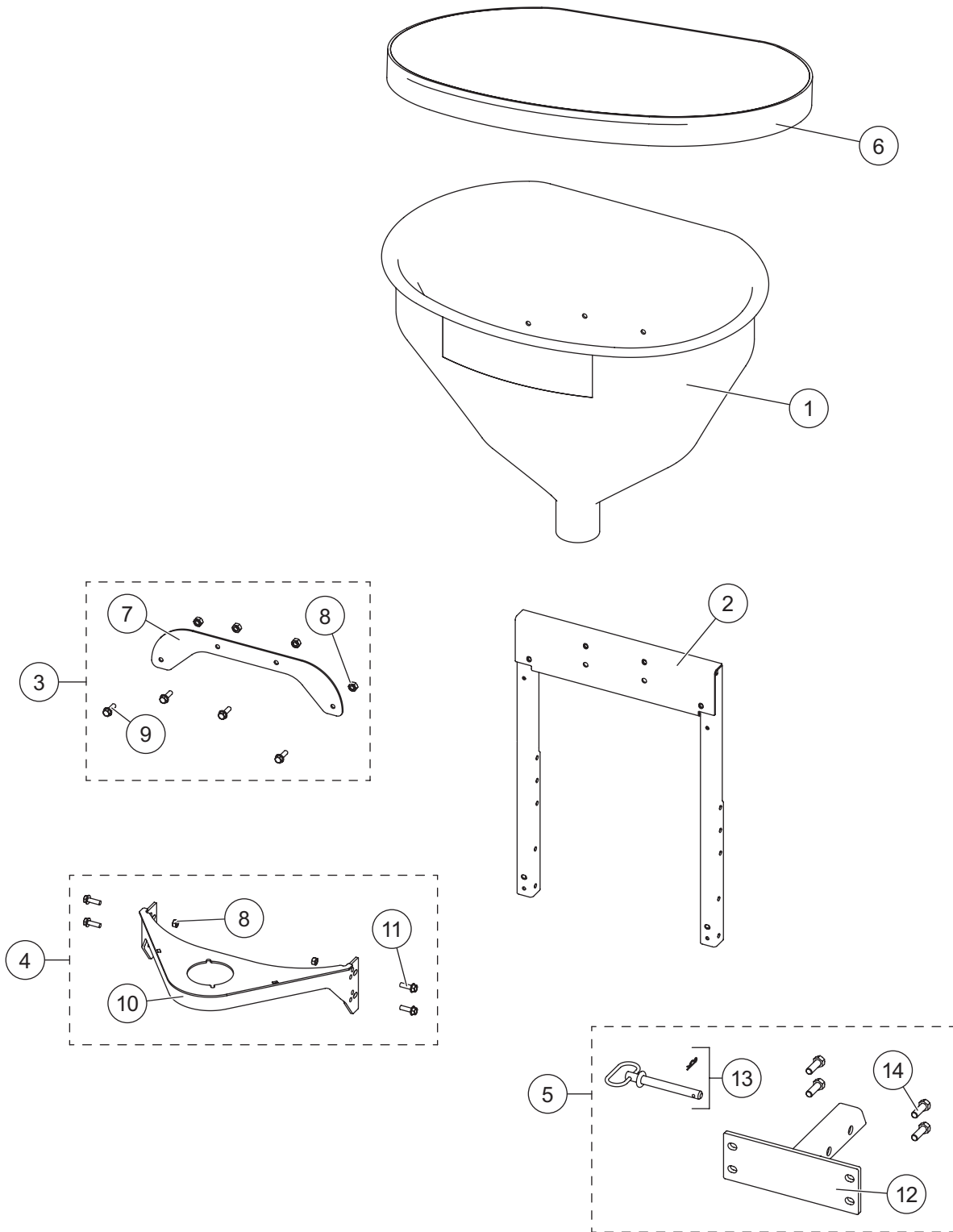
**91600**  
**Hopper and Drive Components**  
**LOW-PRO 300W**  
**Tailgate Spreader**  
**Parts List**



This Parts List is for WESTERN® LOW-PRO 300W tailgate spreaders  
with serial numbers beginning with 150401 and higher.

# LOW-PRO 300W TAILGATE SPREADER

## HOPPER COMPONENTS

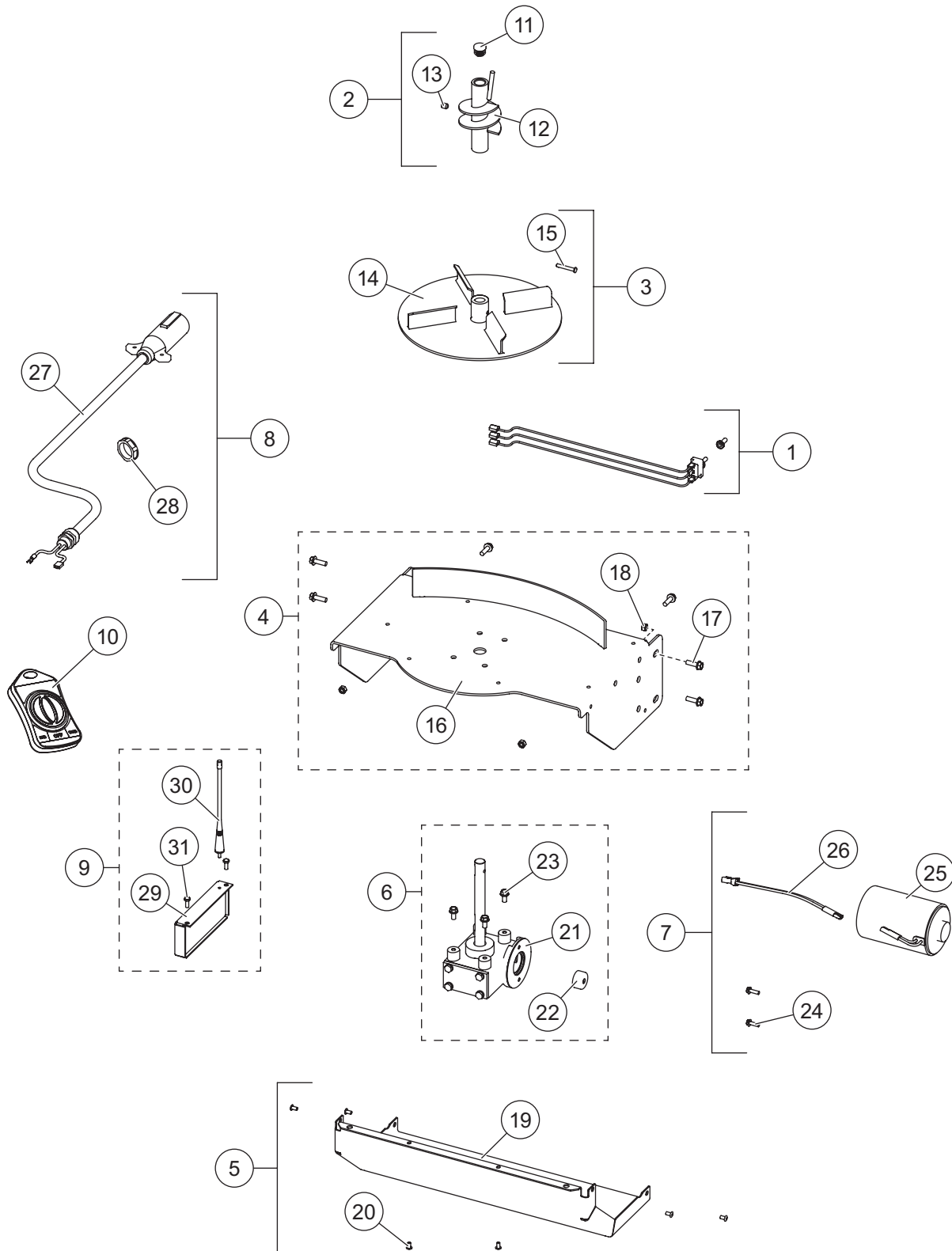


## LOW-PRO 300W TAILGATE SPREADER

Hopper Components							
Item	Part	Qty	Description	Item	Part	Qty	Description
1	75929	1	Hopper, LOW PRO 300W (red)	5	75619	1	Receiver Kit
2	75572	1	Hopper Frame	6	WSC-020	1	Hopper Cover
3	75570	1	Hopper Support Kit	ns	75563	1	FCC Compliance Label Kit
4	75617	1	Hopper Throat Kit				
<b>Item 3</b>				<b>75570 Hopper Support Kit</b>			
7		1	Backing Plate	9		4	5/16-18 x 1 Serrated Flange Hex Cap Screw SS
8		4	5/16-18 Serrated Flange Hex Locknut				
<b>Item 4</b>				<b>75617 Hopper Throat Kit</b>			
8		4	5/16-18 Serrated Flange Hex Locknut	11		4	5/16-18 x 1 Serrated Flange Hex Cap Screw G5
10		1	Throat Support				
<b>Item 5</b>				<b>75619 Receiver Kit</b>			
12		1	Hitch, 2" Receiver Utility	14		4	1/2-13 x 1-1/2 Hex Cap Screw G5
13	75620	1	5/8 x 5-1/2 Hitch Pin w/Hairpin Cotter				
ns = not shown				G = Grade			

# LOW-PRO 300W TAILGATE SPREADER

## LOW-PRO 300W DRIVE COMPONENTS





# LOW-PRO 300W TAILGATE SPREADER

---



Western Products  
PO Box 245038  
Milwaukee, WI 53224-9538  
[www.westernplows.com](http://www.westernplows.com)

 A DIVISION OF DOUGLAS DYNAMICS, LLC

Copyright © 2023 Douglas Dynamics, LLC. All rights reserved. This material may not be reproduced or copied, in whole or in part, in any printed, mechanical, electronic, film, or other distribution and storage media, without the written consent of Western Products. Authorization to photocopy items for internal or personal use by Western Products outlets or spreader owner is granted.

Western Products reserves the right under its product improvement policy to change construction or design details and furnish equipment when so altered without reference to illustrations or specifications used. Western Products or the vehicle manufacturer may require or recommend optional equipment for spreaders. Do not exceed vehicle ratings with a spreader. Western Products offers a limited warranty for all spreaders and accessories. See separately printed page for this important information. The following is a registered (®) trademark of Douglas Dynamics, LLC: WESTERN®.

**Printed in U.S.A.**