



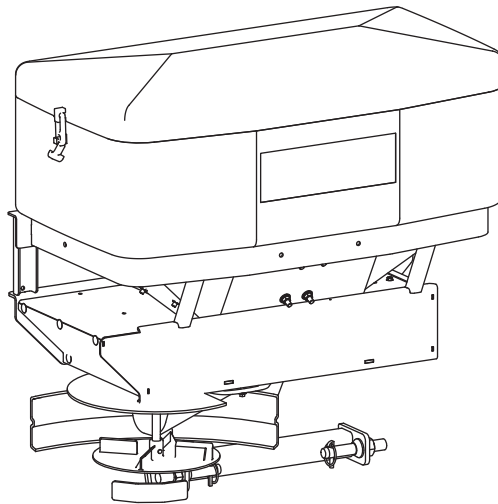
PRO-FLO™ 525

Hopper and Drive Components

PRO-FLO™ 525

Low-Profile Tailgate Spreader #91800

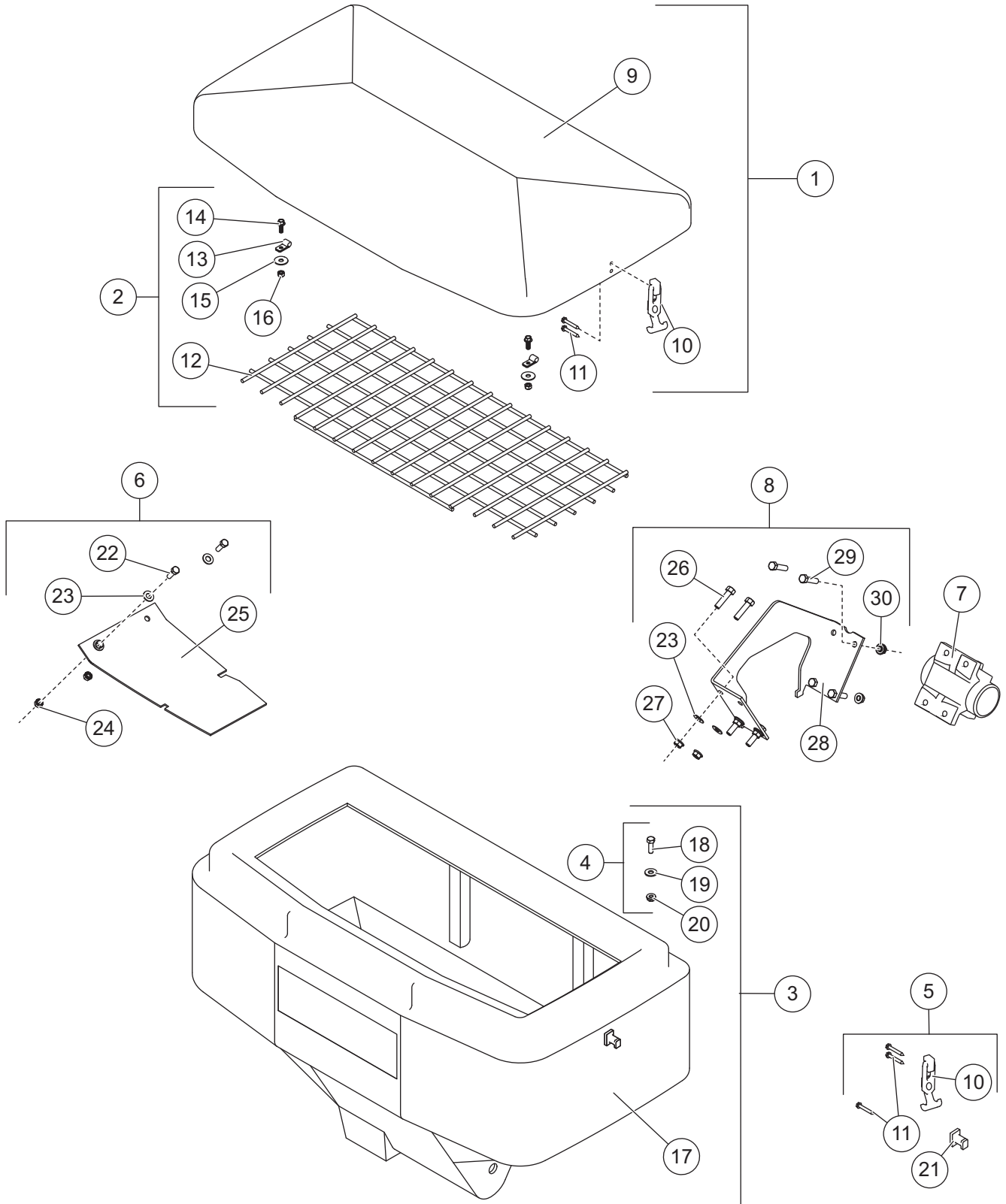
Parts List



This Parts List is for WESTERN® PRO-FLO 525 Low-Profile Tailgate Spreaders with serial numbers beginning with 150601 through 160729.

PRO-FLO™ 525 LOW-PROFILE TAILGATE SPREADER

HOPPER, VIBRATOR & BAFFLE



PRO-FLO™ 525 LOW-PROFILE TAILGATE SPREADER

| Hopper, Vibrator & Baffle | | | | | | | |
|--------------------------------------|-------|-----|---|--------------------------------------|-------|-----|--|
| Item | Part | Qty | Description | Item | Part | Qty | Description |
| 1 | 75630 | 1 | Lid Kit | 5 | 75612 | 1 | Hopper Strap Kit |
| 2 | 75655 | 1 | Top Screen Kit 30 x 14 | 6 | 75657 | 1 | Baffle Kit |
| 3 | 75906 | 1 | Hopper Kit PRO-FLO 525* | 7 | 75673 | 1 | Vibrator, DC-80 |
| 4 | 75659 | 1 | Hopper Hardware Kit | 8 | 75658 | 1 | Vibrator Mount Kit |
| Item 1 | | | | 75630 Lid Kit | | | |
| 9 | | 1 | Lid Assembly | 11 | | 4 | #10 x 3/4 Hex Washer-Head Tapping Screw SS |
| 10 | | 2 | Flexible Draw Latch | | | | |
| Item 2 | | | | 75655 Top Screen Kit 30 x 14 | | | |
| 12 | | 1 | Top Screen 30 x 14 | 15 | | 2 | 1/4 x 1 Washer |
| 13 | | 2 | 5/16 Clamp | 16 | | 2 | 1/4 Hex Locknut SS |
| 14 | | 2 | 1/4-20 x 3/4 Hex Cap Screw Serrated Flange SS | | | | |
| Item 3 | | | | 75906 Hopper Kit PRO-FLO 525* | | | |
| 4 | 75659 | 1 | Hopper Hardware Kit | 17 | | 1 | Hopper 5.25 ft ³ – Red |
| Item 4 | | | | 75659 Hopper Hardware Kit | | | |
| 18 | | 4 | 5/16-18 x 1 Hex Cap Screw | 20 | | 4 | 5/16-18 Serrated Flange Nut |
| 19 | | 4 | 5/16 Flat Washer | | | | |
| Item 5 | | | | 75612 Hopper Strap Kit | | | |
| 10 | | 2 | Flexible Draw Latch | 21 | | 2 | Latch Keeper |
| 11 | | 6 | #10 x 3/4 Hex Washer-Head Tapping Screw SS | | | | |
| Item 6 | | | | 75657 Baffle Kit | | | |
| 22 | | 2 | 5/16-18 x 1-1/4 Hex Cap Screw SS | 24 | | 2 | 5/16-18 Hex Locknut SS |
| 23 | | 2 | 3/8 Flat Washer SS | 25 | | 1 | Material Baffle |
| Item 8 | | | | 75658 Vibrator Mount Kit | | | |
| 23 | | 4 | 3/8 Flat Washer SS | 28 | | 1 | Vibrator Mount Bracket |
| 26 | | 4 | 3/8-16 x 1 Hex Cap Screw SS | 29 | | 4 | 3/8-16 x 1-1/2 Hex Cap Screw |
| 27 | | 4 | 3/8-16 Serrated Flange Nut | 30 | | 4 | 3/8-16 Hex Locknut |
| SS = Stainless Steel | | | | G = Grade | | | |

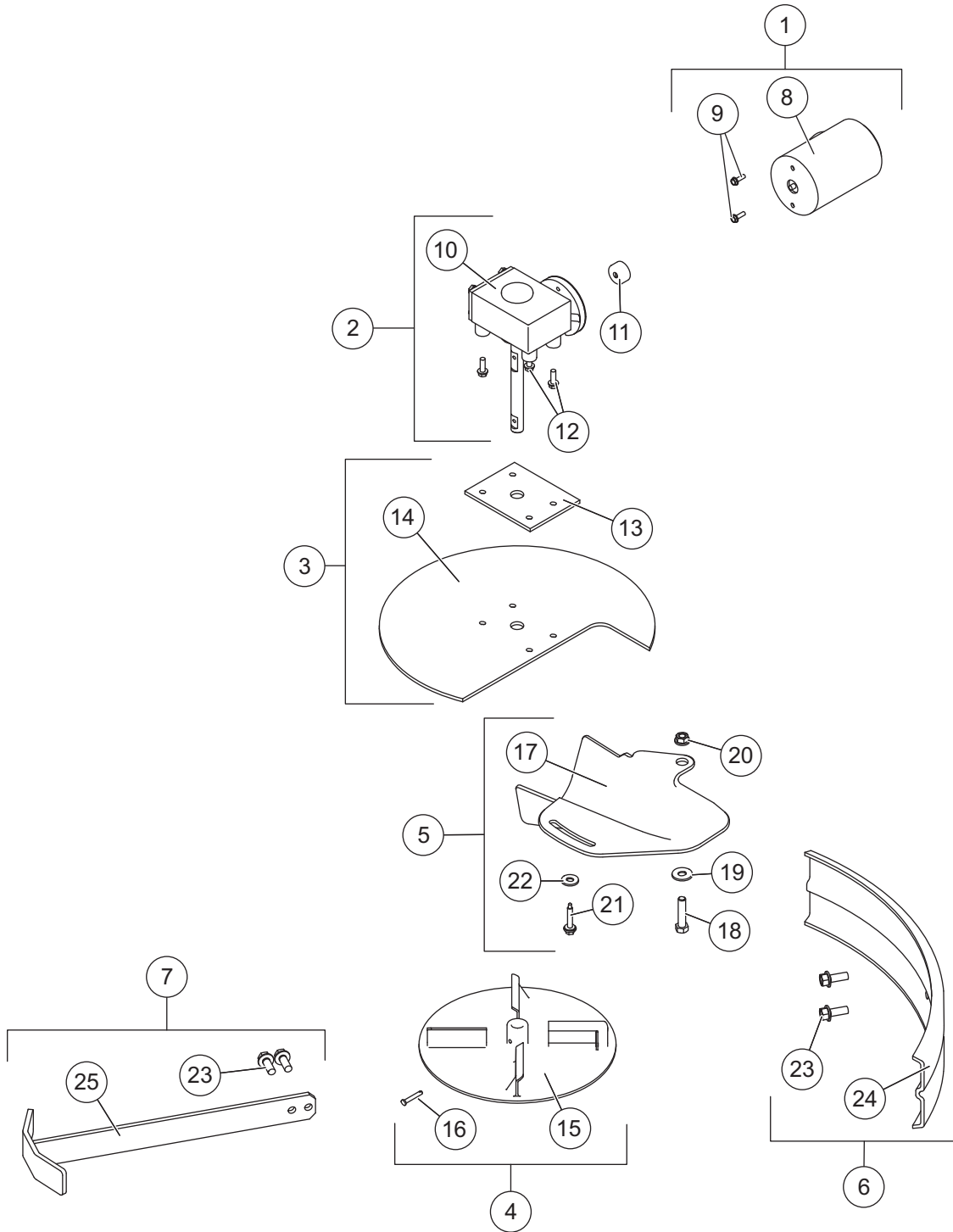
* Hopper ships with two latch keepers installed.

PRO-FLO™ 525 LOW-PROFILE TAILGATE SPREADER

| Frame, Auger & Hitch | | | | | | | |
|----------------------|-------|-----|---|--------------------------------------|-------|-----|--|
| Item | Part | Qty | Description | Item | Part | Qty | Description |
| 1 | 75902 | 1 | Frame Kit PRO-FLO 525 | 8 | 75654 | 1 | Hitch Kit |
| 2 | 75667 | 1 | Side Cover Kit | 9 | 75666 | 1 | Lift Arm Pin Kit |
| 3 | 75558 | 1 | Spinner Drive Cover Kit | 10 | 42526 | 1 | Label – Identity, PRO-FLO 525 |
| 4 | 75661 | 1 | Auger Kit | 11 | 75621 | 1 | Label – Warning, Hands and Feet |
| 5 | 75660 | 1 | Bearing Kit | 12 | 75669 | 1 | Label – Warning, Rotating Auger |
| 6 | 75901 | 1 | Motor Kit | 13 | 75623 | 1 | Label – Warning, Read Manual |
| 7 | 75670 | 1 | Auger Transmission Kit | | | | |
| Item 1 | | | | 75902 Frame Kit PRO-FLO 525 | | | |
| 10 | 42526 | 1 | Label – Identity, PRO-FLO 525 | 13 | 75623 | 1 | Label – Warning, Read Manual |
| 11 | 75621 | 1 | Label – Warning, Hands and Feet | 14 | | 1 | Main Frame |
| 12 | 75669 | 1 | Label – Warning, Rotating Auger | | | | |
| Item 2 | | | | 75667 Side Cover Kit | | | |
| 15 | | 1 | Drive Cover | 16 | 79334 | 6 | 1/4 x 3/4 x 1/2 Push Retainer Nylon |
| Item 3 | | | | 75558 Spinner Drive Cover Kit | | | |
| 16 | 79334 | 6 | 1/4 x 3/4 x 1/2 Push Retainer Nylon | 17 | | 1 | Spinner Drive Cover |
| Item 4 | | | | 75661 Auger Kit | | | |
| 18 | | 1 | 2-5/8 x 14 x 1-3/8 Auger | 20 | | 1 | 5/16-18 x 3/8 Socket Head Set Screw |
| 19 | | 1 | 5/8 Flat Washer Nylon | | | | |
| Item 5 | | | | 75660 Bearing Kit | | | |
| 21 | 68662 | 1 | 5/8 Bearing 4-Bolt Flange | 22 | | 4 | 3/8-16 Serrated Flange Nut |
| Item 6 | | | | 75901 Motor Kit | | | |
| 23 | | 1 | Motor 12V DC, 3 x 3.8 | 24 | | 2 | #10-32 x 5/8 Hex Cap Screw Serrated Flange w/Patch |
| Item 7 | | | | 75670 Auger Transmission Kit | | | |
| 25 | | 4 | 1/4-20 x 3/4 Hex Cap Screw Serrated Flange SS | 26 | | 1 | Transmission 30:1 Worm Gear |
| | | | | 27 | 79332 | 1 | Motor Drive Coupler |
| Item 8 | | | | 75654 Hitch Kit | | | |
| 28 | | 1 | Hitch | 31 | | 4 | 1/2-13 Serrated Flange Nut |
| 29 | | 4 | 1/2-13 x 1-1/2 Hex Cap Screw | 32 | 75620 | 1 | Hitch Pin |
| 30 | | 4 | 1/2 Split Lock Washer | | | | |
| Item 9 | | | | 75666 Lift Arm Pin Kit | | | |
| 33 | | 2 | 7/8 x 5-1/2 Lift Arm Pin | 34 | | 2 | 5/16 x 1-9/16 Linch Pin |
| SS = Stainless Steel | | | | | | | |

PRO-FLO™ 525 LOW-PROFILE TAILGATE SPREADER

SPINNER ASSEMBLY & MATERIAL CHUTE

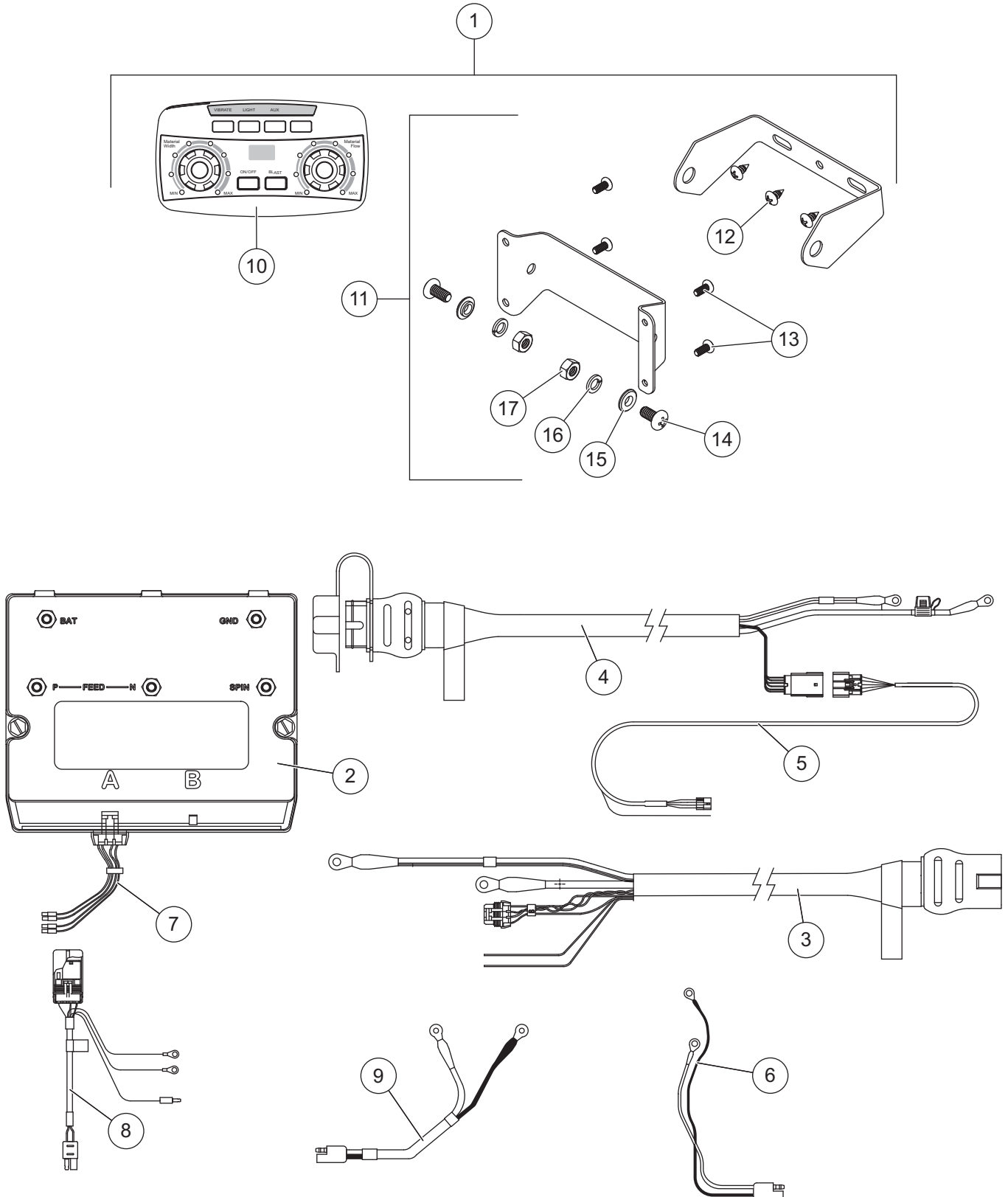


PRO-FLO™ 525 LOW-PROFILE TAILGATE SPREADER

| Spinner Assembly & Material Chute | | | | | | | |
|--|-------------|------------|---|---------------------------------------|-------------|------------|--|
| Item | Part | Qty | Description | Item | Part | Qty | Description |
| 1 | 75901 | 1 | Motor Kit | 5 | 75662 | 1 | Material Chute Kit |
| 2 | 75640 | 1 | Spinner Transmission Kit | 6 | 75665 | 1 | Deflector Kit |
| 3 | 75663 | 1 | CE Guard Kit | 7 | 75672 | 1 | Protector Foot Kit |
| 4 | 75618 | 1 | Spinner Kit | | | | |
| Item 1 | | | | 75901 Motor Kit | | | |
| 8 | | 1 | Motor 12V DC, 3 x 3.8 | 9 | | 2 | #10-32 x 5/8 Hex Cap Screw Serrated Flange w/Patch |
| Item 2 | | | | 75640 Spinner Transmission Kit | | | |
| 10 | | 1 | Transmission 8:1 Worm Gear | 12 | | 4 | 1/4-20 x 3/4 Hex Cap Screw Serrated Flange SS |
| 11 | 79332 | 1 | Motor Drive Coupler | | | | |
| Item 3 | | | | 75663 CE Guard Kit | | | |
| 13 | | 1 | CE Guard Spacer | 14 | | 1 | CE Guard |
| Item 4 | | | | 75618 Spinner Kit | | | |
| 15 | | 1 | Spinner, 10" Poly | 16 | | 1 | 3/16 x 1-1/4 Detent Clevis Pin |
| Item 5 | | | | 75662 Material Chute Kit | | | |
| 17 | | 1 | Material Chute | 20 | | 1 | 1/2-13 Serrated Flange Nut |
| 18 | | 1 | 1/2-13 x 1-1/2 Hex Cap Screw | 21 | | 1 | 1/4 x 1-1/2 Driller w/R-M Washer |
| 19 | | 1 | 1/2 Flat Washer, Hardened | 22 | | 1 | 5/16 Flat Washer |
| Item 6 | | | | 75665 Deflector Kit | | | |
| 23 | | 2 | 3/8-16 x 1 Hex Cap Screw Serrated Flange Type F | 24 | | 1 | Deflector |
| Item 7 | | | | 75672 Protector Foot Kit | | | |
| 23 | | 2 | 3/8-16 x 1 Hex Cap Screw Serrated Flange Type F | 25 | | 1 | Spinner Protector Foot |
| SS = Stainless Steel | | | | | | | |

PRO-FLO™ 525 LOW-PROFILE TAILGATE SPREADER

ELECTRICAL COMPONENTS



PRO-FLO™ 525 LOW-PROFILE TAILGATE SPREADER

| Electrical Components | | | | | | | |
|-----------------------|-------|-----|-------------------------------------|-----------------------------------|-------|-----|--|
| Item | Part | Qty | Description | Item | Part | Qty | Description |
| 1 | 52450 | 1 | Spreader Control Kit | 6 | 78398 | 1 | Spinner Motor Harness |
| 2 | 52375 | 1 | Spreader Module, 5-Post | 7 | 69893 | 1 | 10-Pin Connector w/4 Wires |
| 3 | 72092 | 1 | Spreader Harness, 7-Pin* | 8 | 78382 | 1 | Vibrator Harness Assembly |
| 4 | 72090 | 1 | Vehicle Harness, 7-Pin* | 9 | 78397 | 1 | Auger Motor Harness |
| 5 | 69902 | 1 | Vehicle Control Harness | | | | |
| Item 1 | | | | 52450 Spreader Control Kit | | | |
| 10 | 52452 | 1 | Spreader Control | 14 | | 2 | 1/4-20 x 1/2 Pan Head Machine Screw SS – Black |
| 11 | 52345 | 1 | Control Bracket Kit | | | | |
| 12 | | 3 | #10 x 3/8 Pan Head Tapping Screw SS | 15 | | 2 | 1/4 Shoulder Washer SS – Black |
| 13 | | 4 | #8 x 3/8 Pan Head Machine Screw | 16 | | 2 | 1/4 Lock Washer SS |
| | | | | 17 | | 2 | 1/4-20 Hex Nut G5 – Black |
| SS = Stainless Steel | | | | G = Grade | | | |

* For spreaders with 8-pin harnesses, order the 52348 harness kit (contains both spreader and vehicle harnesses).

PRO-FLO™ 525 LOW-PROFILE TAILGATE SPREADER



Western Products
PO Box 245038
Milwaukee, WI 53224-9538
www.westernplows.com

 A DIVISION OF DOUGLAS DYNAMICS, LLC

Copyright © 2019 Douglas Dynamics, LLC. All rights reserved. This material may not be reproduced or copied, in whole or in part, in any printed, mechanical, electronic, film, or other distribution and storage media, without the written consent of Western Products. Authorization to photocopy items for internal or personal use by Western Products outlets or spreader owner is granted.

Western Products reserves the right under its product improvement policy to change construction or design details and furnish equipment when so altered without reference to illustrations or specifications used. Western Products or the vehicle manufacturer may require or recommend optional equipment for spreaders. Do not exceed vehicle ratings with a spreader. Western Products offers a limited warranty for all spreaders and accessories. See separately printed page for this important information. The following are registered (®) or unregistered (™) trademarks of Douglas Dynamics, LLC: PRO-FLO™ 525, WESTERN®.

Printed in U.S.A.