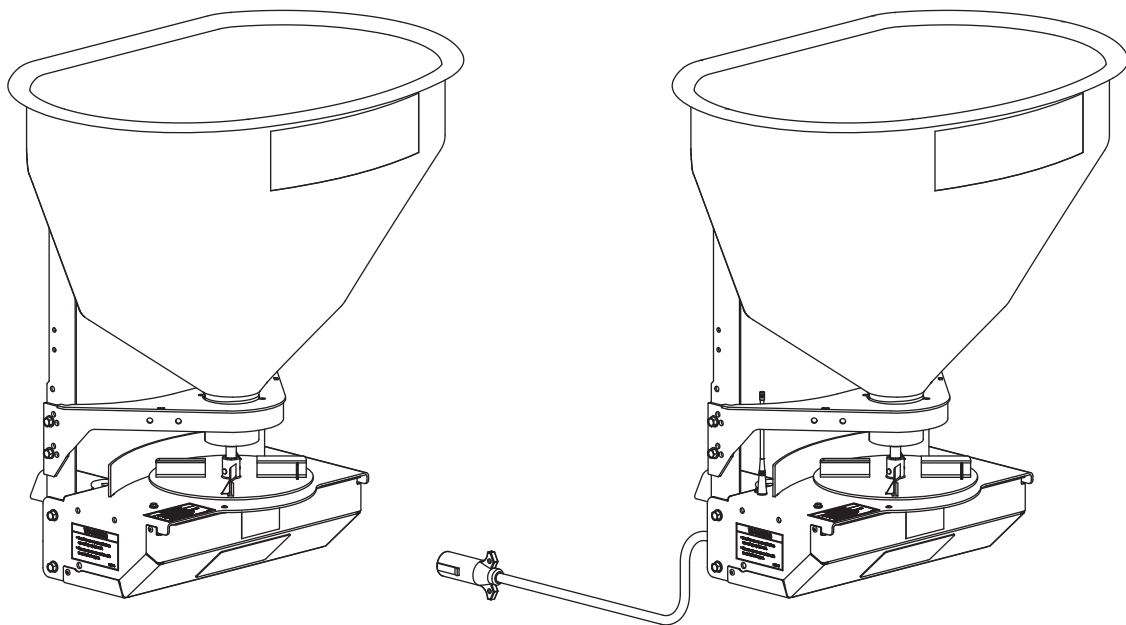




Hopper and Drive Components

SP-225-1 & SR-210 Low-Profile Tailgate Spreader

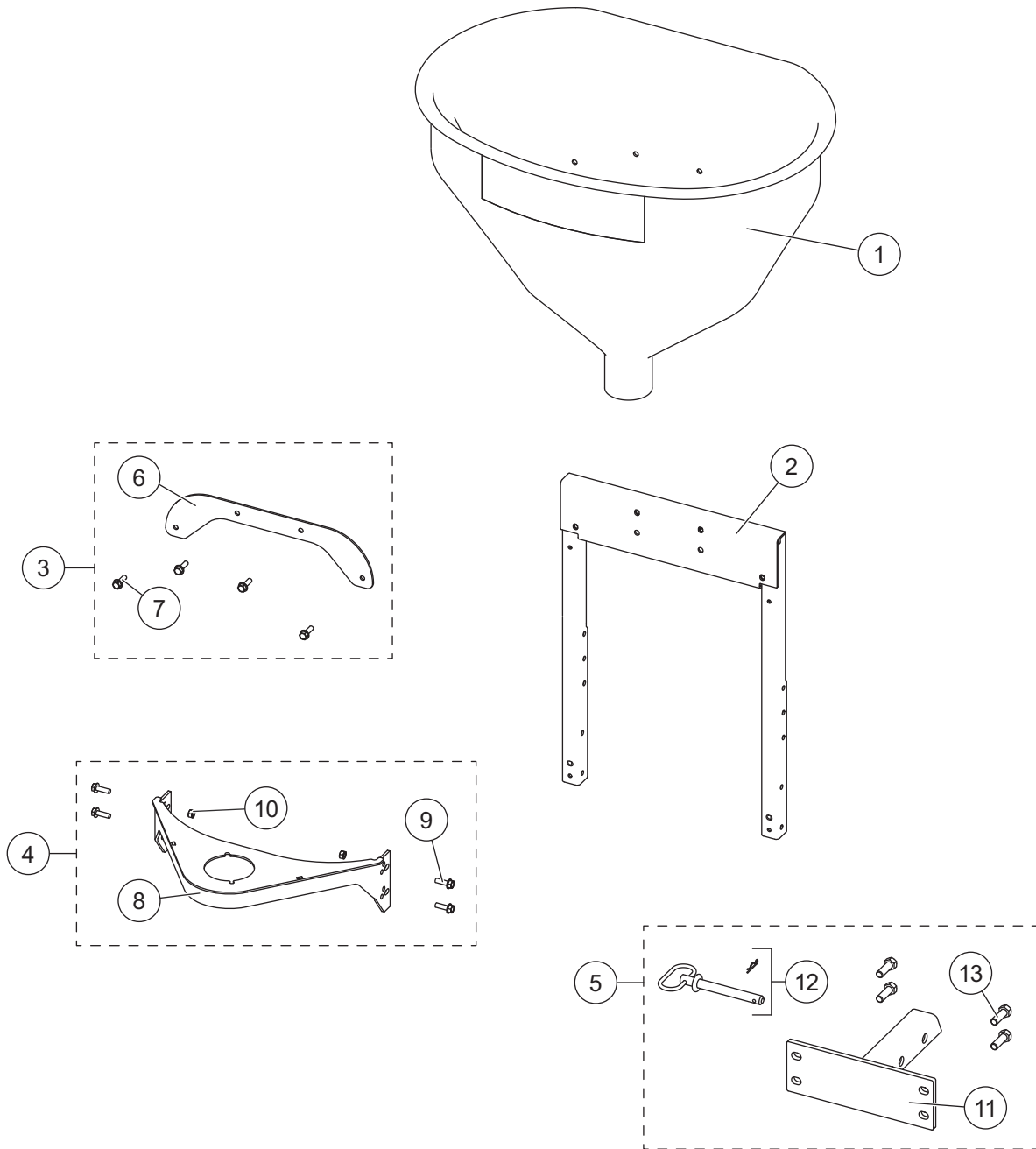
Parts List



This manual is for SnowEx® SP-225-1 tailgate spreaders with serial numbers beginning with 170109 and higher, and SR-210 tailgate spreaders with serial numbers beginning with 151013 and higher.

SP-225-1 & SR-210 LOW-PROFILE TAILGATE SPREADER

HOPPER COMPONENTS

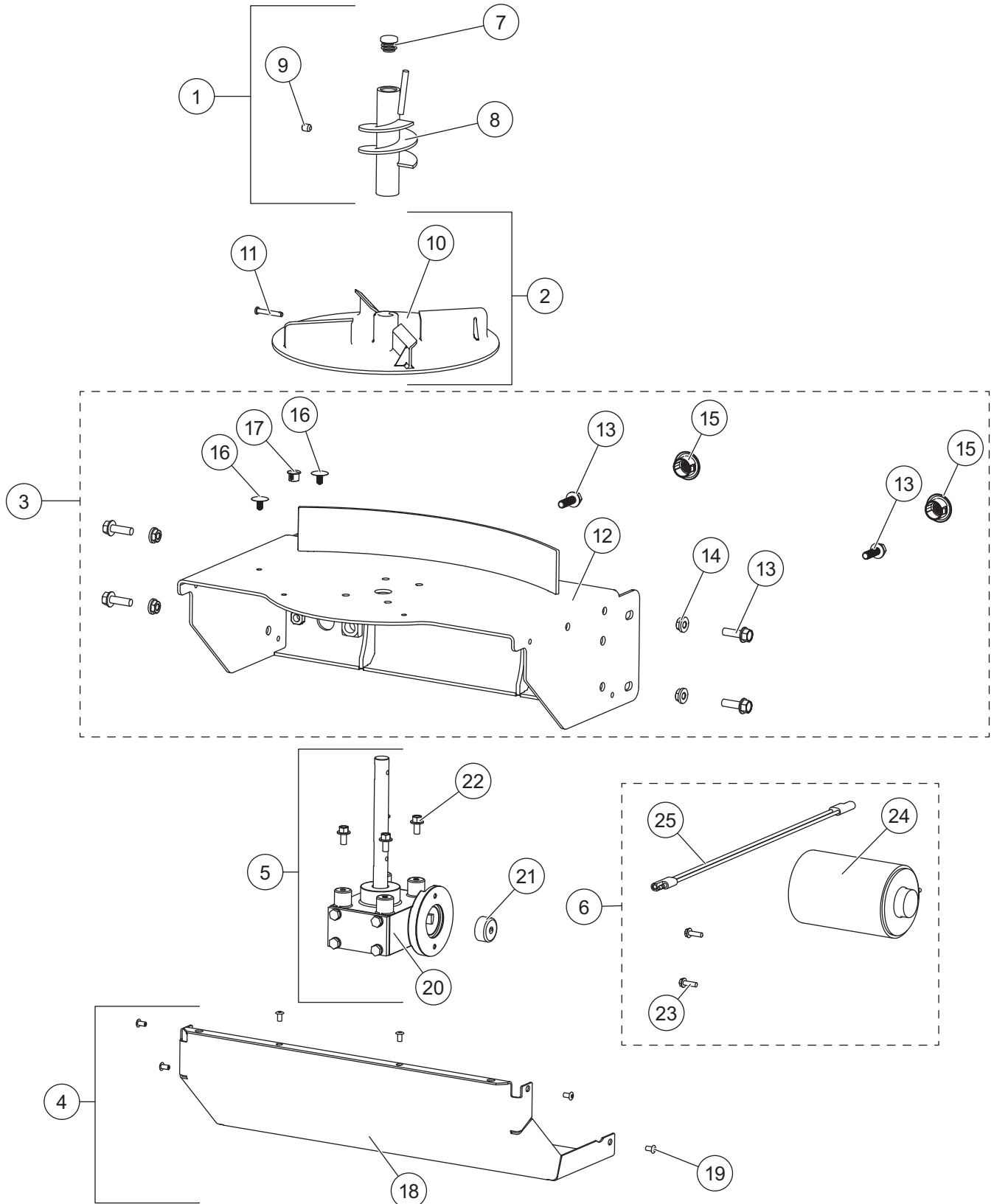


SP-225-1 & SR-210 LOW-PROFILE TAILGATE SPREADER

Hopper Components							
Item	Part	Qty	Description	Item	Part	Qty	Description
1	75571	1	Hopper (yellow)	4	75617	1	Hopper Throat Kit
2	75572	1	Hopper Frame	5	75619	1	Receiver Kit
3	75570	1	Hopper Support Kit	ns	75563	1	FCC Compliance Label Kit
Item 3				75570 Hopper Support Kit			
6		1	Backing Plate	ns		4	5/16-18 Serrated Flange Nut
7		4	5/16-18 x 1 Serrated Flange Hex Cap Screw SS				
Item 4				75617 Hopper Throat Kit			
8		1	Throat Support	10		4	5/16-18 Serrated Flange Nut
9		4	5/16-18 x 1 Serrated Hex Cap Screw				
Item 5				75619 Receiver Kit			
11		1	Hitch, 2" Receiver Utility	13		4	1/2-13 x 1-1/2 Serrated Flange Hex Cap Screw G5
12	75620	1	5/8 x 5-1/2 Hitch Pin w/Hairpin Cotter				
		ns = not shown				G = Grade	
						SS = Stainless Steel	

SP-225-1 & SR-210 LOW-PROFILE TAILGATE SPREADER

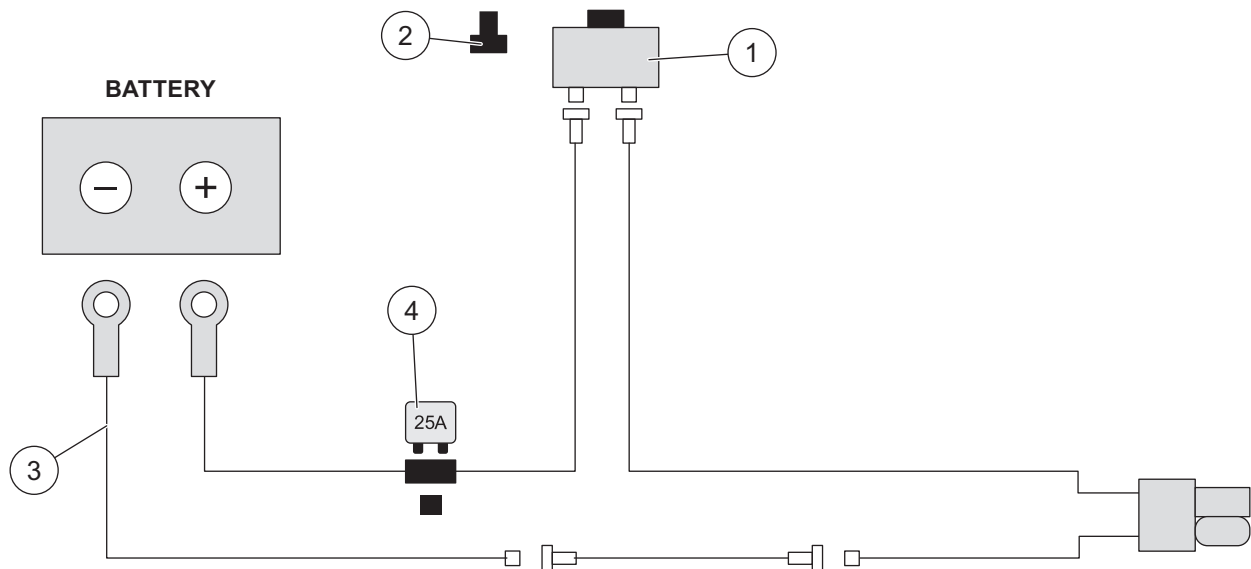
MODEL SP-225-1 DRIVE COMPONENTS



SP-225-1 & SR-210 LOW-PROFILE TAILGATE SPREADER

Model SP-225-1 Drive Components							
Item	Part	Qty	Description	Item	Part	Qty	Description
1	75615	1	Auger Kit	4	75624	1	Transmission Enclosure Cover Kit
2	75618	1	Spinner Kit	5	75625	1	Transmission Kit
3	75628	1	Transmission Enclosure Kit	6	75418	1	Motor Kit
Item 1				75615 Auger Kit			
7		1	Auger Cap	9		1	5/16-18 x 3/8 Set Screw
8		1	Auger				
Item 2				75618 Spinner Kit			
10		1	Spinner, Poly	11		1	3/16 x 1-1/4 Clevis Pin
Item 3				75628 Transmission Enclosure Kit			
12		1	Transmission Mount	17		1	1/2 Cap Plug
13		6	5/16-18 x 1 Serrated Hex Cap Screw	ns	75621	1	Label – Warning, Hands & Feet
14		4	5/16-18 Serrated Flange Nut	ns	75622	1	Label – Warning, Maximum Weight
15		2	Break-Thru Plug	ns	75623	1	Label – Warning, Read Manual
16		2	1/4 Retainer	ns	11100	1	Label – Warning, Rear Camera
Item 4				75624 Transmission Enclosure Cover Kit			
18		1	Transmission Enclosure Cover	19		6	3/16 x .354 Rivet
Item 5				75625 Transmission Kit			
20		1	Transmission 14.5:1	22		4	1/4-20 x 1/2 Serrated Flange SS
21		1	Motor Drive Coupler				
Item 6				75418 Motor Kit			
23		2	#10-32 x 5/8 Serrated Hex Cap Screw	25		1	Motor Connector Adapter
24		1	3 x 3.8 12V DC Motor				
ns = not shown				SS = Stainless Steel			

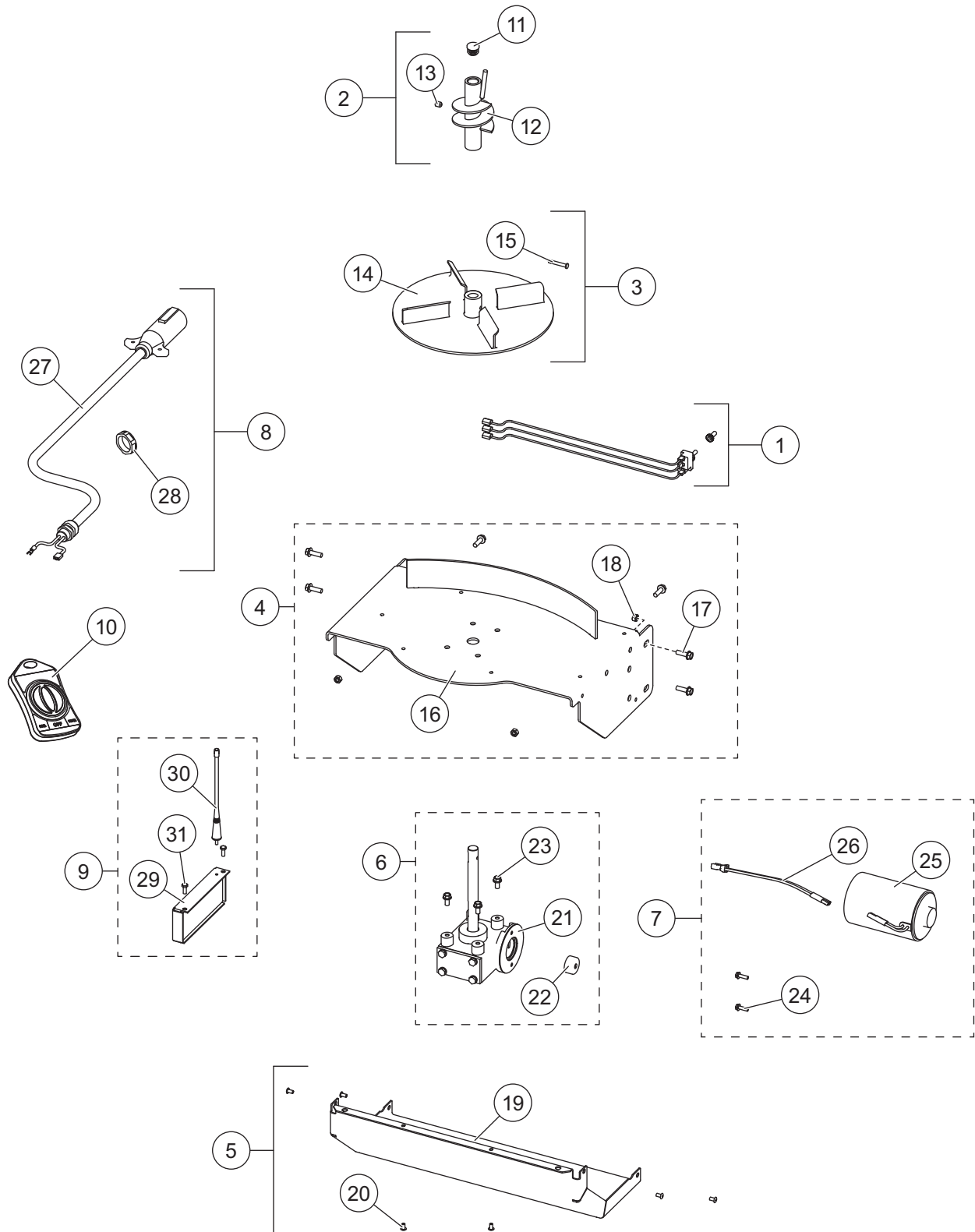
MODEL SP-225-1 SPREADER CONTROL HARNESS KIT



75424 Spreader Control Harness Kit							
Item	Part	Qty	Description	Item	Part	Qty	Description
1		1	ON/OFF Switch	3		1	Wiring Harness
2		1	Rubber Switch Boot	4		1	25A Breaker

SP-225-1 & SR-210 LOW-PROFILE TAILGATE SPREADER

MODEL SR-210 DRIVE COMPONENTS



SP-225-1 & SR-210 LOW-PROFILE TAILGATE SPREADER



TrynEx International, LLC
531 Ajax Drive
Madison Heights, MI 48071-2429
www.snowexproducts.com

 A DIVISION OF DOUGLAS DYNAMICS, LLC

Copyright © 2018 Douglas Dynamics, LLC. All rights reserved. This material may not be reproduced or copied, in whole or in part, in any printed, mechanical, electronic, film, or other distribution and storage media, without the written consent of TrynEx International, LLC. Authorization to photocopy items for internal or personal use by TrynEx International outlets or spreader owner is granted.

TrynEx International reserves the right under its product improvement policy to change construction or design details and furnish equipment when so altered without reference to illustrations or specifications used. TrynEx International or the vehicle manufacturer may require or recommend optional equipment for spreaders. Do not exceed vehicle ratings with a spreader. TrynEx International offers a limited warranty for all spreaders and accessories. See separately printed page for this important information. The following is a registered (®) trademark of Douglas Dynamics, LLC: SnowEx®.

Printed in U.S.A.