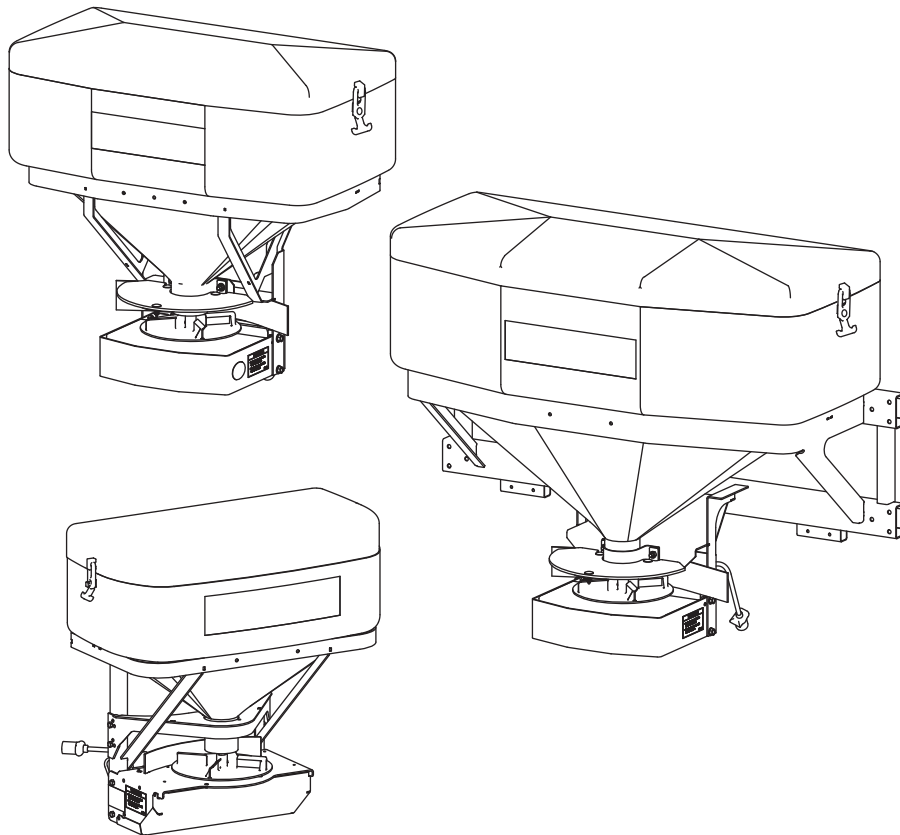




SP-325, SP-575X, SP-1075X Single-Stage Tailgate Spreaders

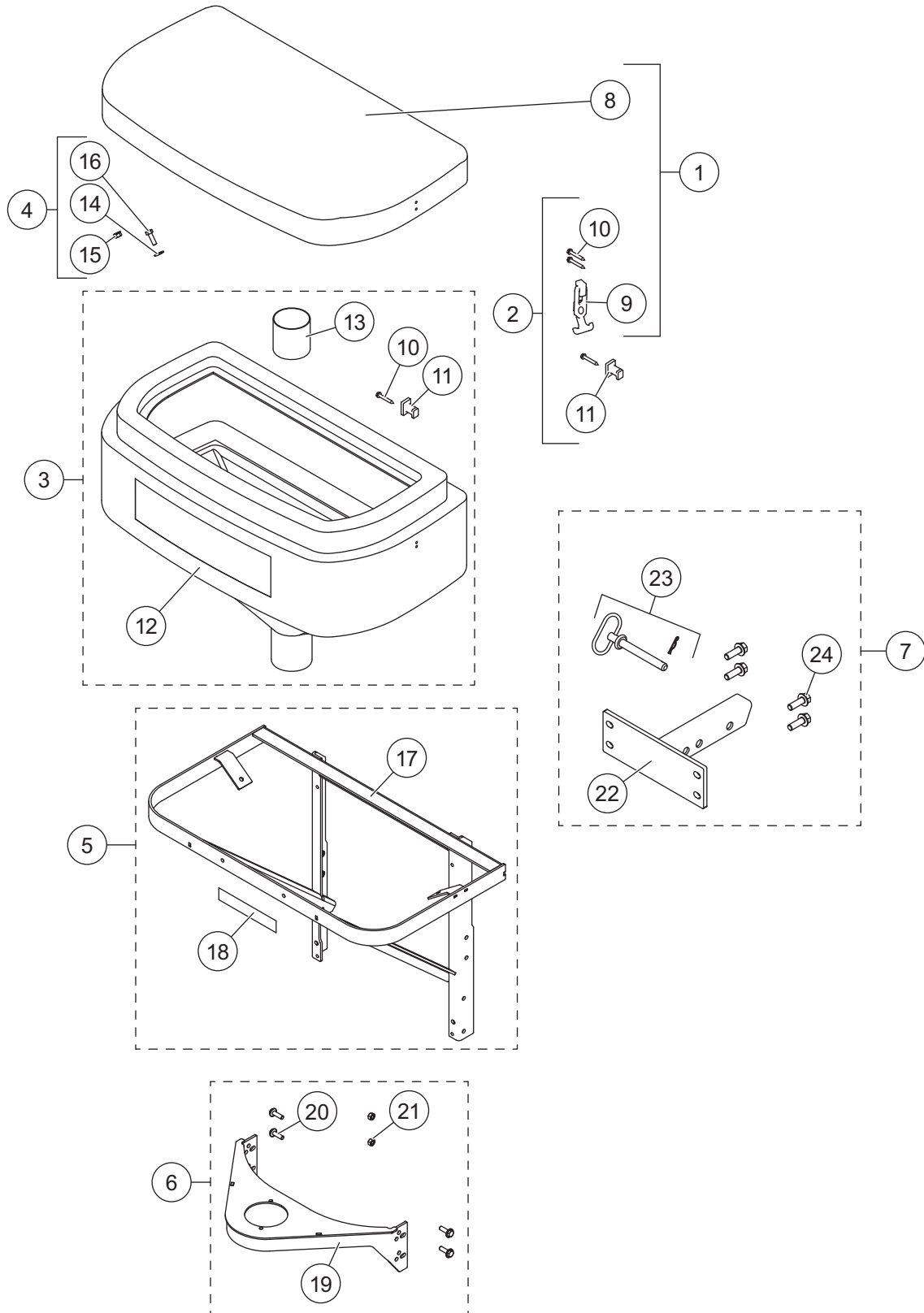
Parts List



This Parts List is for SnowEx® SP-325 spreaders with serial numbers beginning with 140502 and higher,
SP-575X spreaders with serial numbers beginning with 140718 and higher,
and SP-1075X spreaders with serial numbers beginning with 140722 and higher.

SP-325 TAILGATE SPREADER

HOPPER AND FRAME ASSEMBLY



SP-325 TAILGATE SPREADER

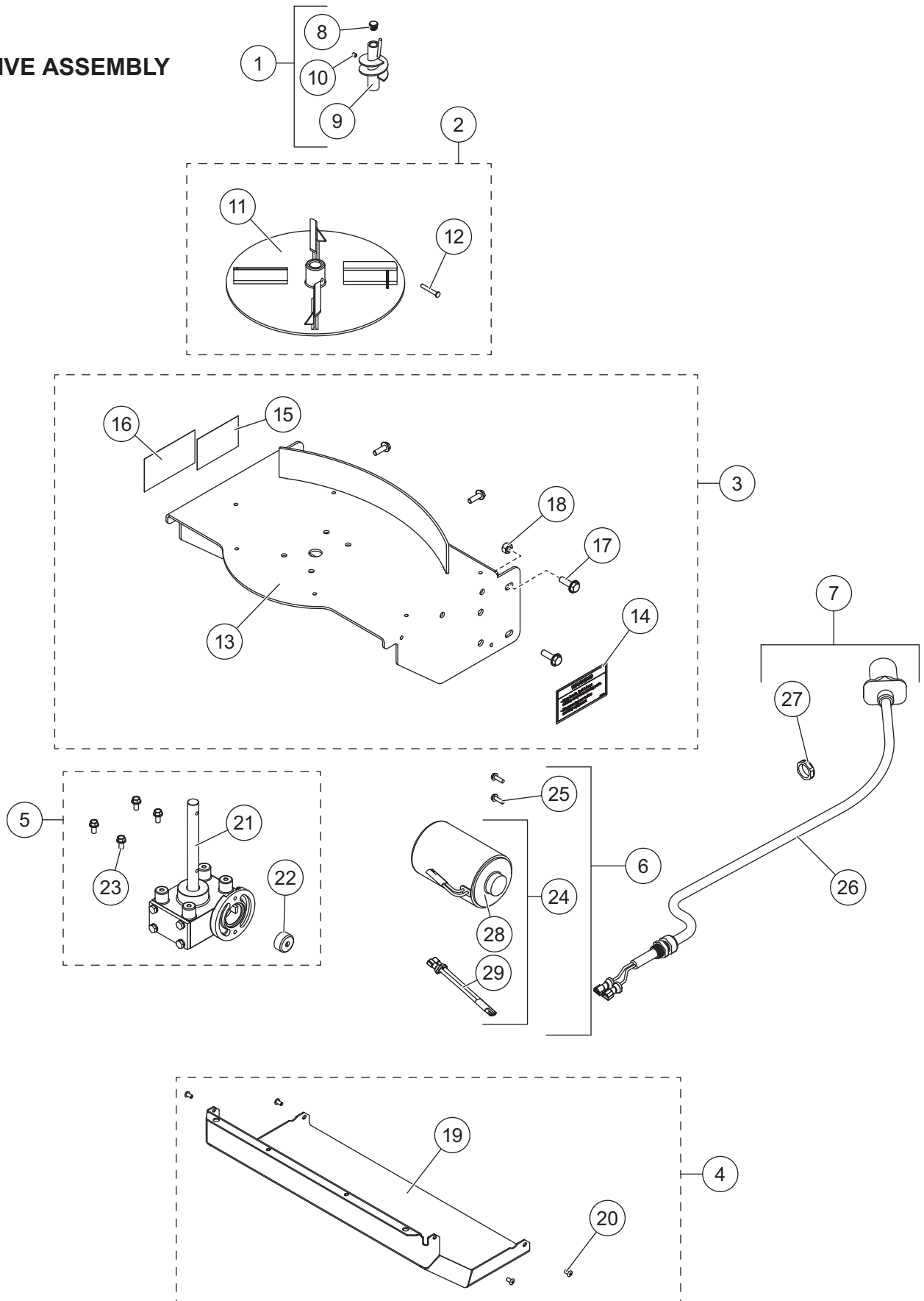
Hopper & Frame Assembly							
Item	Part	Qty	Description	Item	Part	Qty	Description
1	75611	1	Lid Kit, SP-325	5	75616	1	Frame Kit, SP-325
2	75612	1	Hopper Strap Kit	6	75617	1	Hopper Throat Kit
3	75613	1	Hopper Kit, SP-325	7	75619	1	Receiver Kit
4	75614	1	Hopper Hardware Kit				
Item 1 75611 Lid Kit, SP-325							
8		1	Hopper Lid, SP-325	10		4	#10 x 3/4 Slotted Cap Screw
9	D6105	2	Flexible Draw Latch				
Item 2 75612 Hopper Strap Kit							
9	D6105	2	Flexible Draw Latch	11	D6198	2	Latch Keeper
10		6	#10 x 3/4 Slotted Cap Screw				
Item 3 75613 Hopper Kit, SP-325							
10		2	#10 x 3/4 Slotted Cap Screw	12		1	Hopper, SP-325
11	D6198	2	Latch Keeper	13		1	Throat Liner SS
Item 4 75614 Hopper Hardware Kit							
14		2	3/8 Flat Washer	16		2	5/16-18 x 1-1/4 Hex Cap Screw
15		2	5/16-18 Hex Locknut GB				
Item 5 75616 Frame Kit, SP-325							
17		1	Main Frame, SP-325	18	75648	1	Label – Identity, Junior 325
Item 6 75617 Hopper Throat Kit							
19		1	Throat Support	21		4	5/16-18 Serrated Flange Nut
20		4	5/16-18 x 1 Serrated Flange Hex Cap Screw				
Item 7 75619 Receiver Kit							
22		1	2" Receiver Utility Hitch	24	T40109	4	1/2-13 x 1-1/2 Hex Cap Screw G5
23	75620	1	5/8 x 5-1/2 Hitch Pin w/Hairpin Cotter				

G = Grade

SS = Stainless Steel

SP-325 TAILGATE SPREADER

DRIVE ASSEMBLY

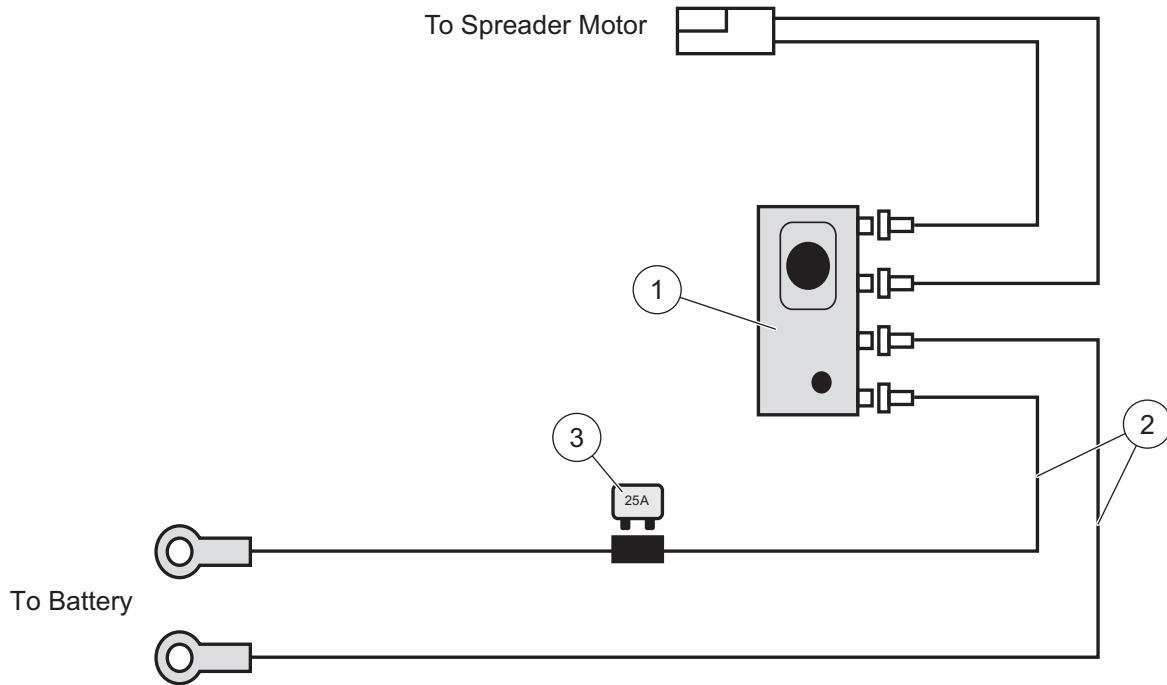


SP-325 TAILGATE SPREADER

75697 Drive Assembly							
Item	Part	Qty	Description	Item	Part	Qty	Description
1	75615	1	Auger Kit	5	75625	1	Transmission Kit
2	75618	1	Spinner Kit	6	75626	1	Motor Kit
3	75628	1	Transmission Enclosure Kit	7	75627	1	Power Cable Kit
4	75624	1	Transmission Enclosure Cover Kit				
Item 1 75615 Auger Kit							
8	D6191	1	Auger Cap	10	D6140	1	5/16-18 x 3/8 Set Screw
9	D6075	1	Auger				
Item 2 75618 Spinner Kit							
11	D6750	1	Spinner, Poly	12	D6746	1	3/16 x 1-1/4 Clevis Pin
Item 3 75628 Transmission Enclosure Kit							
13		1	Transmission Mount	17		6	5/16-18 x 1 Serrated Flange Hex Cap Screw
14	75621	1	Label – Warning, Hands & Feet				
15	75622	1	Label – Warning, Maximum Weight	18		4	5/16-18 Serrated Flange Nut
16	75623	1	Label – Warning, Read Manual				
Item 4 75624 Transmission Enclosure Cover Kit							
19	75813	1	Transmission Enclosure Cover	20		6	3/16 x 0.354 Rivet
Item 5 75625 Transmission Kit							
21	D6715	1	Transmission 14.5:1	23		4	1/4-20 x 1/2 Serrated Flange Hex Cap Screw SS
22	D6232	1	Motor Drive Coupler				
Item 6 75626 Motor Kit							
24	D6106	1	3 x 3.8 12V DC Motor w/2-Pin Connector	25		2	#10-32 x 5/8 Serrated Flange Hex Cap Screw
Item 7 75627 Power Cable Kit							
26	D6162	1	26-1/2 Power Cable	27	D6781	1	1/2 NPT Nut Black Nylon
Item 24 D6106 3 x 3.8 12V DC Motor w/2-Pin Connector							
28	D6214	1	3 x 3.8 12V DC Motor	29	D6652	1	Motor Connector Adapter
SS = Stainless Steel							

SP-325 TAILGATE SPREADER

ELECTRICAL COMPONENTS

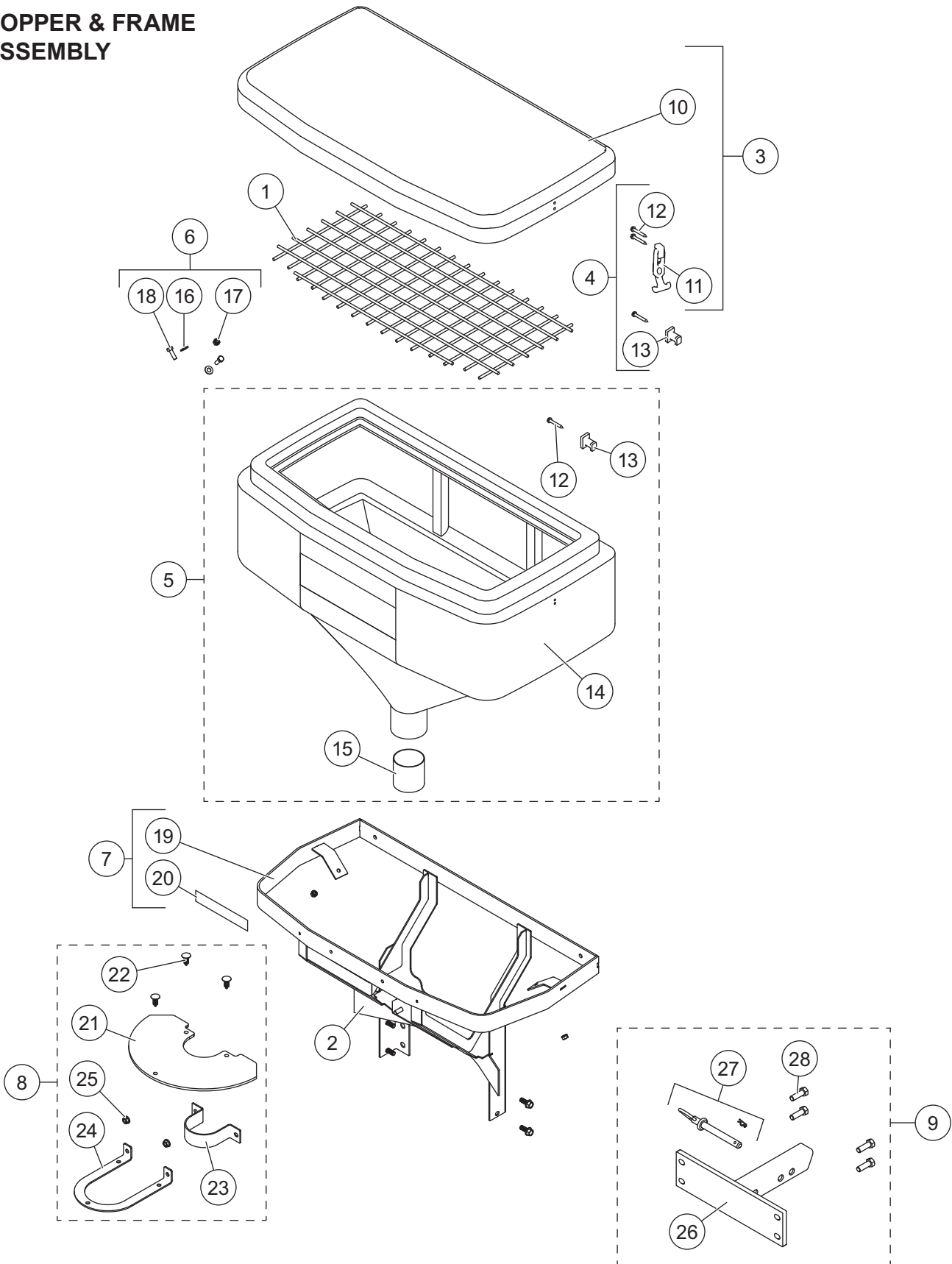


SP-325 TAILGATE SPREADER

Electrical Components, SP-325							
Item	Part	Qty	Description	Item	Part	Qty	Description
1	D6474	1	Mini Control	3	D6748	1	25A Breaker
2	D6486	1	Harness, SP-325				

SP-575X TAILGATE SPREADER

HOPPER & FRAME ASSEMBLY

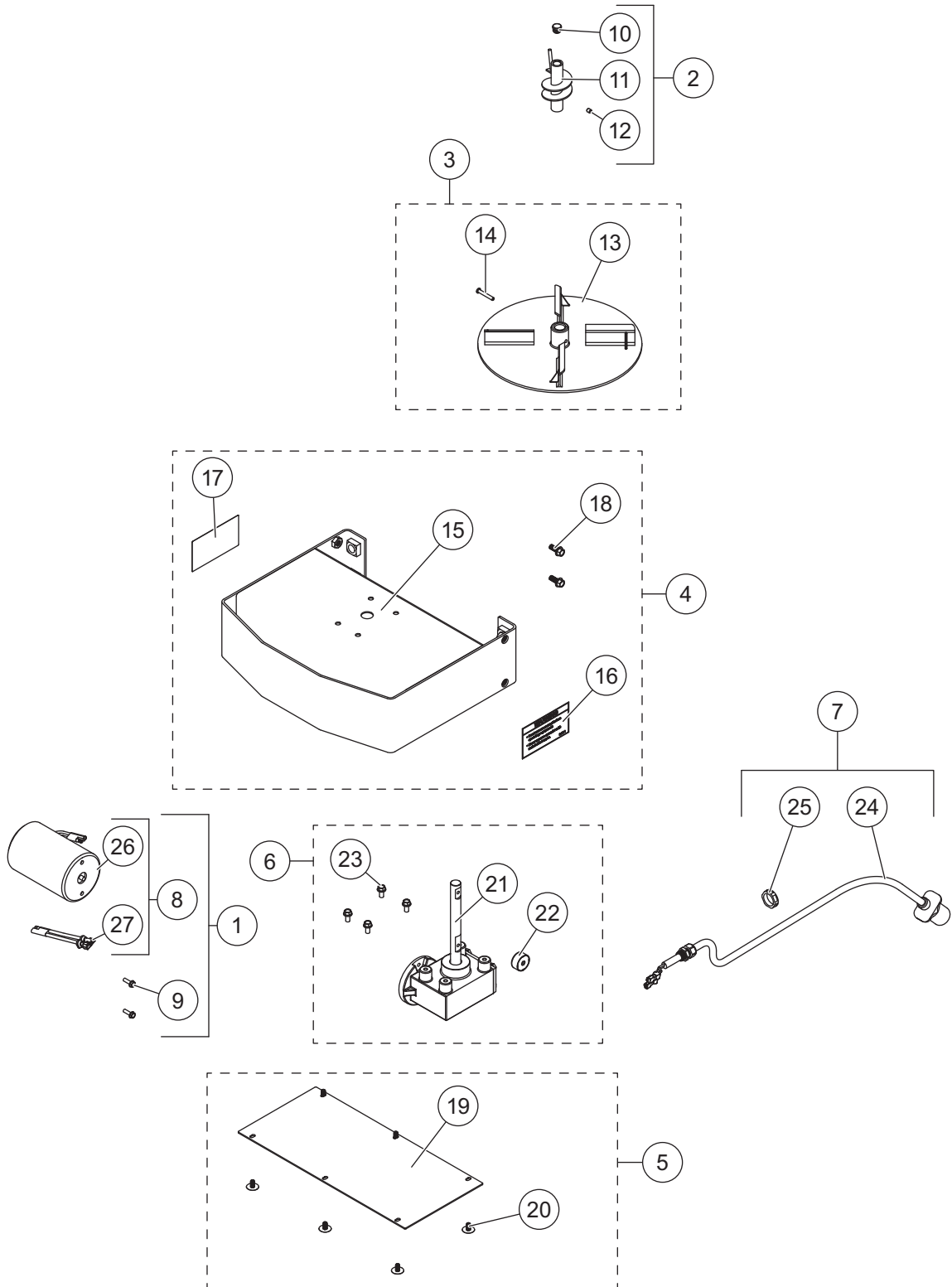


SP-575X TAILGATE SPREADER

Hopper & Frame Assembly							
Item	Part	Qty	Description	Item	Part	Qty	Description
1	75636	1	Top Screen, SP-575X	6	75614	1	Hopper Hardware Kit
2	75646	1	Deflector	7	75632	1	Frame Kit, SP-575X
3	75630	1	Lid Kit, SP-575X	8	75639	1	CE Shroud Kit
4	75612	1	Hopper Strap Kit	9	75633	1	Receiver Kit, SP-575X
5	75631	1	Hopper Kit, SP-575X				
Item 3				75630 Lid Kit, SP-575X			
10		1	Hopper Lid, SP-575X	12		4	#10 x 3/4 Slotted Head Cap Screw
11	D6105	2	Flexible Draw Latch				
Item 4				75612 Hopper Strap Kit			
11	D6105	2	Flexible Draw Latch	13	D6198	2	Latch Keeper
12		6	#10 x 3/4 Slotted Head Cap Screw				
Item 5				75631 Hopper Kit, SP-575X			
12		2	#10 x 3/4 Slotted Cap Screw	14		1	Hopper, SP-575X
13	D6198	2	Latch Keeper	15		1	Throat Liner SS
Item 6				75614 Hopper Hardware Kit			
16		2	3/8 Flat Washer	18		2	5/16-18 x 1-1/4 Hex Cap Screw
17		2	5/16-18 Hex Locknut GB				
Item 7				75632 Frame Kit, SP-575X			
19		1	Main Frame, SP-575X	20	D6186	1	Label – Identity, Mini Pro 575
Item 8				75639 CE Shroud Kit			
21		1	CE Shroud Tailgate	24		1	Mount Bracket, Shroud
22		3	11 mm x 28 mm x 22 mm Retainer	25		2	3/8-16 Serrated Flange Nut
23		1	Throat Clamp				
Item 9				75633 Receiver Kit, SP-575X			
26		1	Mount, Receiver	28		4	1/2-13 x 1-1/2 Serrated Flange Hex Cap Screw
27	75620	1	5/8 x 5-1/2 Hitch Pin w/Hairpin Cotter				
G = Grade				SS = Stainless Steel			

SP-575X TAILGATE SPREADER

DRIVE ASSEMBLY

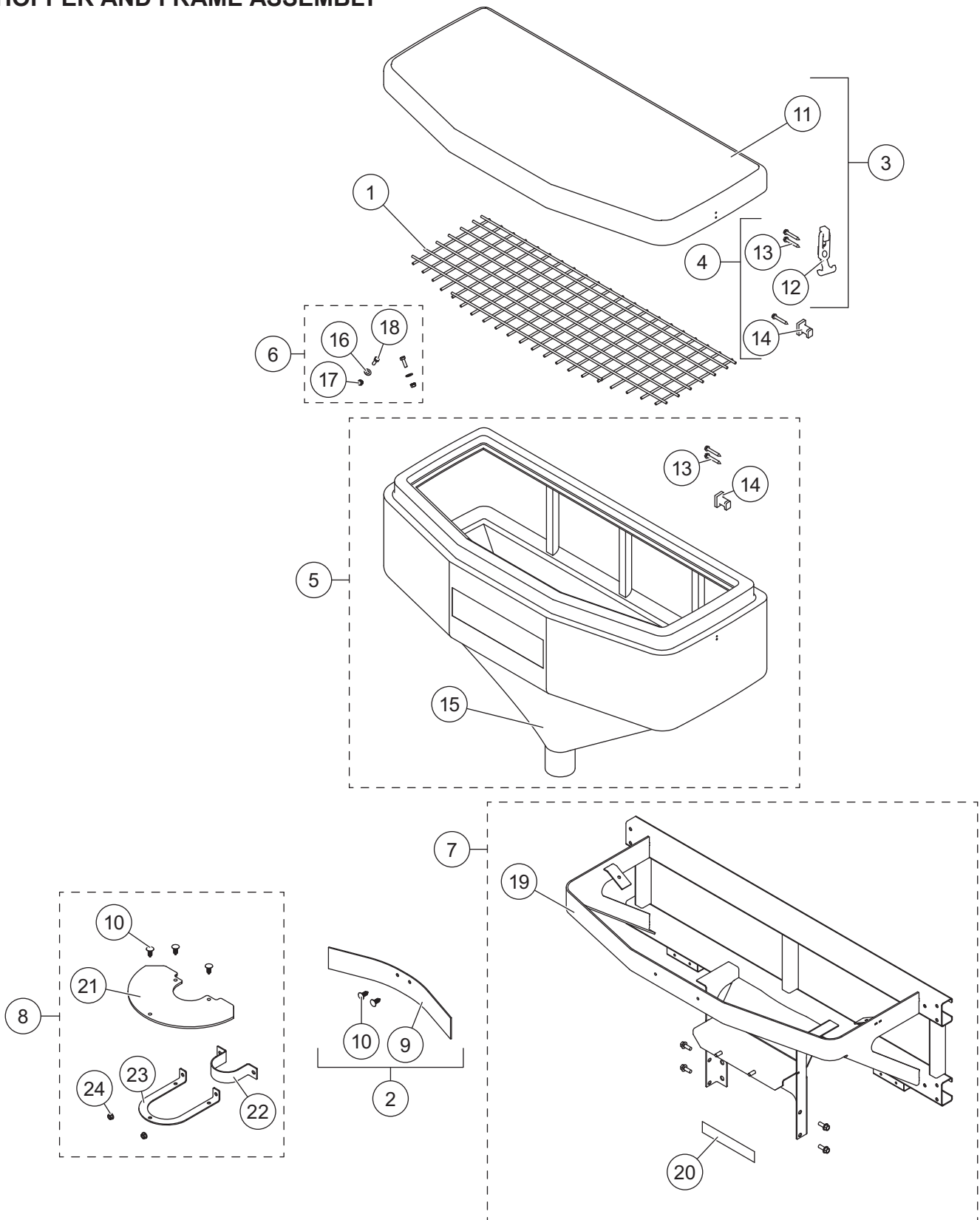


SP-575X TAILGATE SPREADER

75698 Drive Assembly							
Item	Part	Qty	Description	Item	Part	Qty	Description
1	75626	1	Motor Kit	6	75640	1	Transmission Kit
2	75615	1	Auger Kit	7	75627	1	Power Cable Kit
3	75618	1	Spinner Kit	8	D3106	1	3 x 3.8 12V DC Motor w/2-Pin Connector
4	75635	1	Transmission Enclosure Kit				
5	57104	1	Transmission Enclosure Cover Kit				
Item 1 75626 Motor Kit							
8	D3106	1	3 x 3.8 12V DC Motor w/2-Pin Connector	9		2	#10-32 x 5/8 Serrated Flange Hex Cap Screw
Item 2 75615 Auger Kit							
10	D6191	1	Auger Cap	12		1	5/16-18 x 3/8 Set Screw
11	D6075	1	Auger				
Item 3 75618 Spinner Kit							
13	D6750	1	Spinner, Poly	14	D6746	1	3/16 x 1-1/4 Clevis Pin
Item 4 75635 Transmission Enclosure Kit							
15		1	Enclosure, Spinner Drive	18		4	3/8-16 x 1 Serrated Flange Hex Cap Screw
16	75621	1	Label – Warning, Hands & Feet				
17	75623	1	Label – Warning, Read Manual				
Item 5 57104 Transmission Enclosure Cover Kit							
19		1	Spinner Drive Enclosure Cover	20		6	1/4 x 3/4 x 1/2 Retainer Black Nylon
Item 6 75640 Transmission Kit							
21	D6107	1	Transmission 8:1	23		4	1/4-20 x 1/2 Serrated Flange Hex Cap Screw SS
22	D6232	1	Motor Drive Coupler				
Item 7 75627 Power Cable Kit							
24	D6162	1	26-1/2 Power Cable	25		1	1/2 NPT Nut Black Nylon
Item 8 D6106 3 x 3.8 12V DC Motor w/2-Pin Connector							
26	D6214	1	3 x 3.8 12V DC Motor	27	D6652	1	Motor Connector Adapter
SS = Stainless Steel							

SP-1075X TAILGATE SPREADER

HOPPER AND FRAME ASSEMBLY

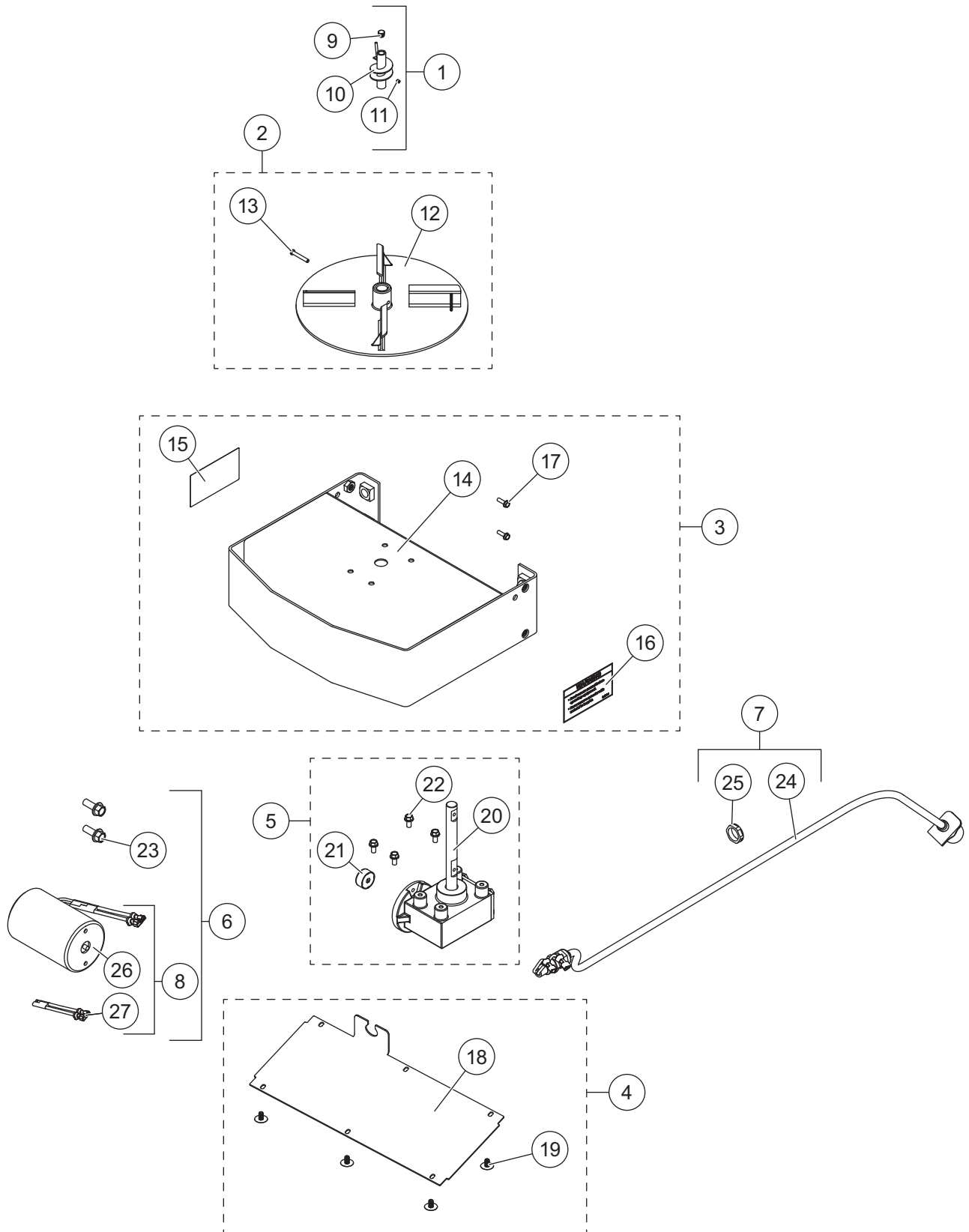


SP-1075X TAILGATE SPREADER

Hopper & Frame Assembly							
Item	Part	Qty	Description	Item	Part	Qty	Description
1	75642	1	Top Screen, SP-1075X	5	75643	1	Hopper Kit, SP-1075X
2	75646	1	Deflector Kit	6	75614	1	Hopper Hardware Kit
3	75645	1	Lid Kit, SP-1075X	7	75644	1	Frame Kit, SP-1075X
4	75612	1	Hopper Strap Kit	8	75639	1	CE Shroud Kit
Item 2				75646 Deflector Kit			
9	D6110	1	3 x 20 Plastic Deflector	10		2	11 mm x 28 mm x 22 mm Retainer
Item 3				75645 Lid Kit, SP-1075X			
11		1	Hopper Lid, SP-1075X	13		4	#10 x 3/4 Slotted Head Cap Screw
12		2	Flexible Draw Latch				
Item 4				75612 Hopper Strap Kit			
12	D6105	2	Flexible Draw Latch	14	D6198	2	Latch Keeper
13		6	#10 x 3/4 Slotted Head Cap Screw				
Item 5				75643 Hopper Kit, SP-1075X			
13		2	#10 x 3/4 Slotted Head Cap Screw	15		1	Hopper, SP-1075X
14		2	Latch Keeper				
Item 6				75614 Hopper Hardware Kit			
16		2	3/8 Flat Washer	18		2	5/16-18 x 1-1/4 Hex Cap Screw
17		2	5/16-18 Hex Locknut GB				
Item 7				75644 Frame Kit, SP-1075X			
19		1	Main Frame, SP-1075X	20	D6187	1	Label – Identity, Pivot Pro 1075X
Item 8				75639 CE Shroud Kit			
10		5	11 mm x 28 mm x 22 mm Retainer	23		1	Mount Bracket, Shroud
21		1	CE Shroud Tailgate	24		2	3/8-16 Serrated Flange Nut
22		1	Throat Clamp				
G = Grade							

SP-1075X TAILGATE SPREADER

DRIVE ASSEMBLY

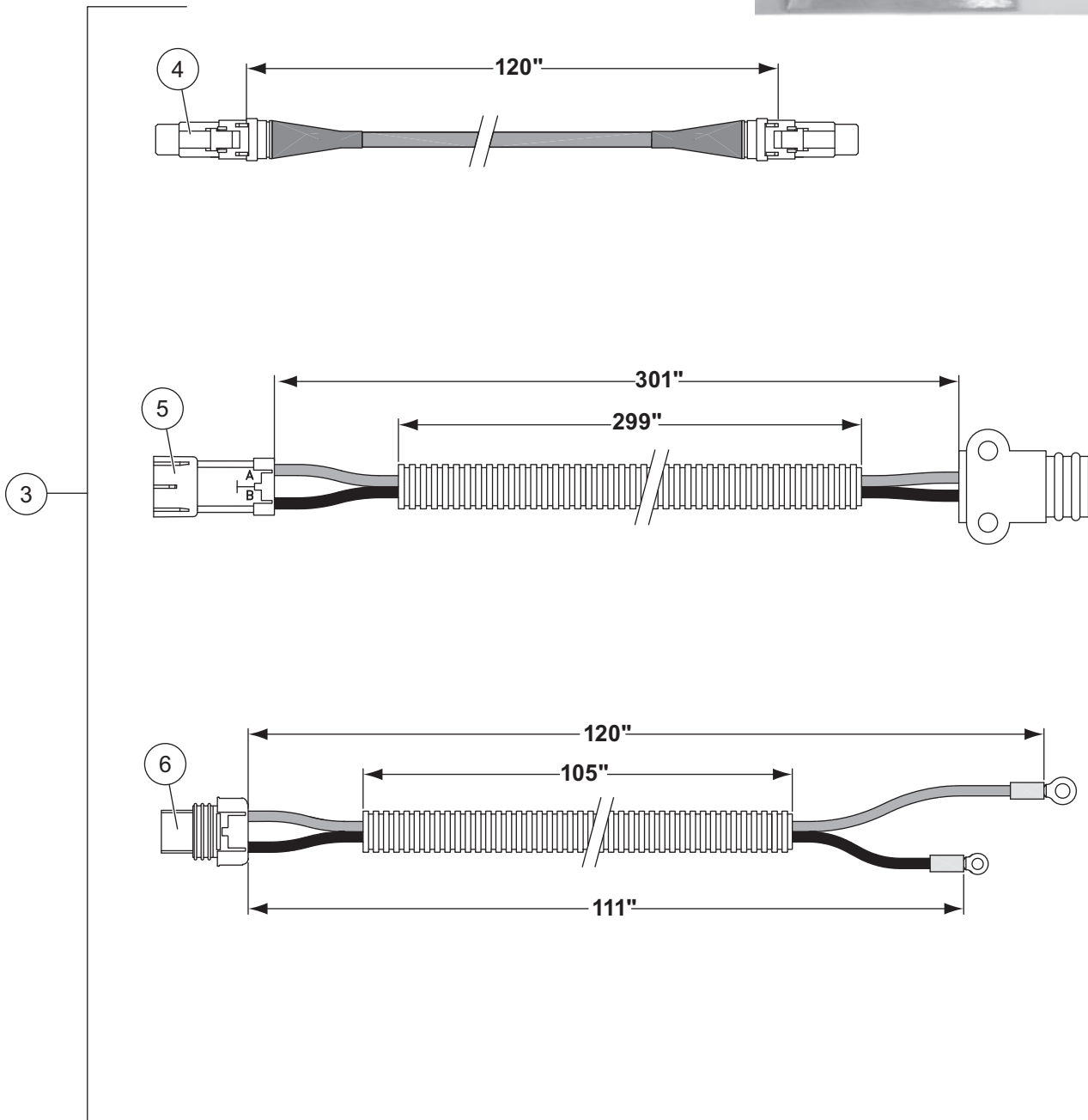
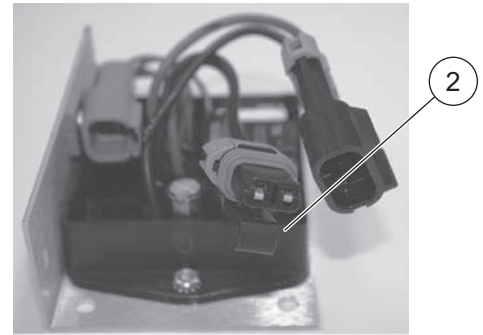
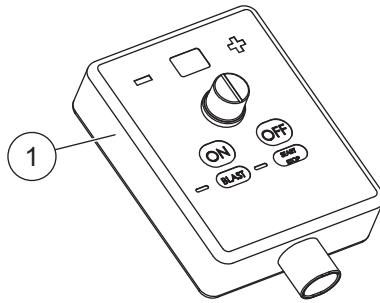


SP-1075X TAILGATE SPREADER

75699 Drive Assembly							
Item	Part	Qty	Description	Item	Part	Qty	Description
1	75615	1	Auger Kit	6	75626	1	Motor Kit
2	75618	1	Spinner Kit	7	75647	1	Power Cable Kit, SP-1075X
3	75635	1	Transmission Enclosure Kit	8	D6106	1	3 x 3.8 12V DC Motor w/2-Pin Connector
4	57104	1	Transmission Enclosure Cover Kit				
5	75640	1	Transmission Kit				
Item 1				75615 Auger Kit			
9	D6191	1	Auger Cap	11		1	5/16-18 x 3/8 Set Screw
10	D6075	1	Auger				
Item 2				75618 Spinner Kit			
12	D6750	1	Spinner, Poly	13	D6746	1	3/16 x 1-1/4 Clevis Pin
Item 3				75635 Transmission Enclosure Kit			
14		1	Enclosure, Spinner Drive	17		4	3/8-16 x 1 Serrated Flange Hex Cap Screw
15	75621	1	Label – Warning, Hands & Feet				
16	75623	1	Label – Warning, Read Manual				
Item 4				57104 Transmission Enclosure Cover Kit			
18		1	Spinner Drive Enclosure Cover	19		6	1/4 x 3/4 x 1/2 Retainer Black Nylon
Item 5				75640 Transmission Kit			
20	D6107	1	Transmission 8:1	22		4	1/4-20 x 1/2 Serrated Flange Hex Cap Screw SS
21	D6232	1	Motor Drive Coupler				
Item 6				75626 Motor Kit			
8	D6106	1	3 x 3.8 12V DC Motor w/2-Pin Connector	23		2	#10-32 x 5/8 Serrated Flange Hex Cap Screw
Item 7				75647 Power Cable Kit, SP-1075X			
24	D6115	1	44-3/4 Power Cable, SP-1075X	25	D6781	1	1/2 NPT Black Nylon Nut
Item 8				D6106 3 x 3.8 12V DC Motor w/2-Pin Connector			
26	D6214	1	3 x 3.8 12V DC Motor	27	D6652	1	Motor Connector Adapter
			G = Grade				SS = Stainless Steel

SP-575X/1075X TAILGATE SPREADER

ELECTRICAL COMPONENTS



SP-575X/1075X TAILGATE SPREADER

Electrical Components							
Item	Part	Qty	Description	Item	Part	Qty	Description
1	F50607	1	Control Pendant	3	F50869	1	Harness Kit
2	F50576	1	Control Module				
Item 3				F50869 Harness Kit			
4	F50578	1	Data Cable	6	F50580	1	Battery Harness
5	F50579	1	Vehicle Harness				



TrynEx International
531 Ajax Drive
Madison Heights, MI 48071-2429
www.snowexproducts.com

 A DIVISION OF DOUGLAS DYNAMICS, LLC

Copyright © 2019 Douglas Dynamics, LLC. All rights reserved. This material may not be reproduced or copied, in whole or in part, in any printed, mechanical, electronic, film, or other distribution and storage media, without the written consent of TrynEx International, LLC. Authorization to photocopy items for internal or personal use by TrynEx International outlets or spreader owner is granted.

TrynEx International reserves the right under its product improvement policy to change construction or design details and furnish equipment when so altered without reference to illustrations or specifications used. TrynEx International or the vehicle manufacturer may require or recommend optional equipment for spreaders. Do not exceed vehicle ratings with a spreader. TrynEx International offers a limited warranty for all spreaders and accessories. See separately printed page for this important information. The following is a registered (®) trademark of Douglas Dynamics, LLC: SnowEx®.

Printed in U.S.A.