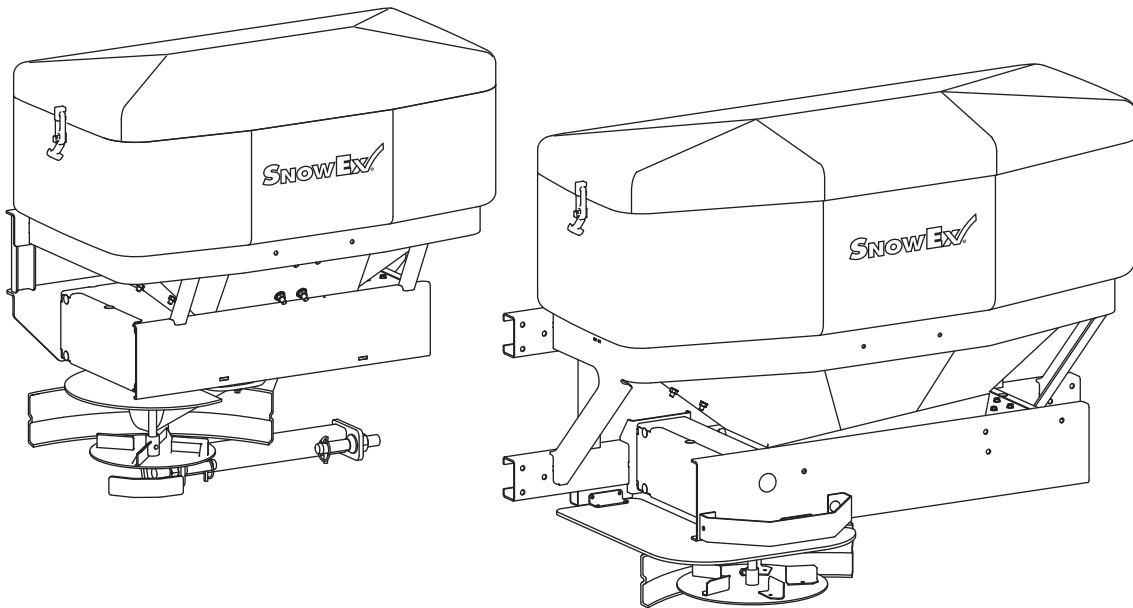




# Bulk Pro™ 1575, Bulk Pro 1875 Low-Profile Tailgate Spreader

SP-1575, SP-1875

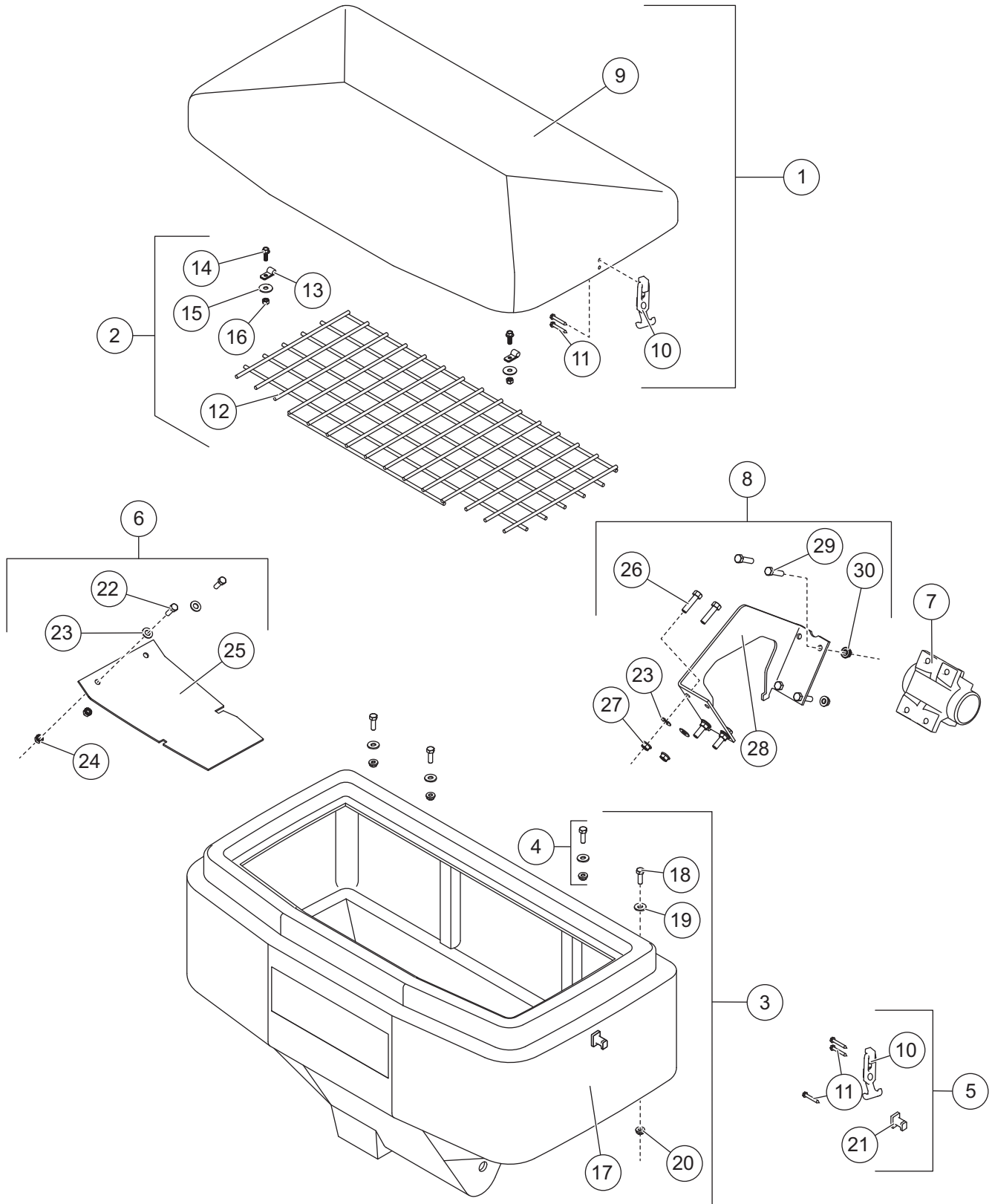
## Parts List



This parts list is for SnowEx® SP-1575 spreaders with serial numbers beginning 141114 through 160429 and SP-1875 spreaders with serial numbers beginning 141112 through 160429.

# Bulk Pro™ 1575 LOW-PROFILE TAILGATE SPREADER

## HOPPER, VIBRATOR & BAFFLE



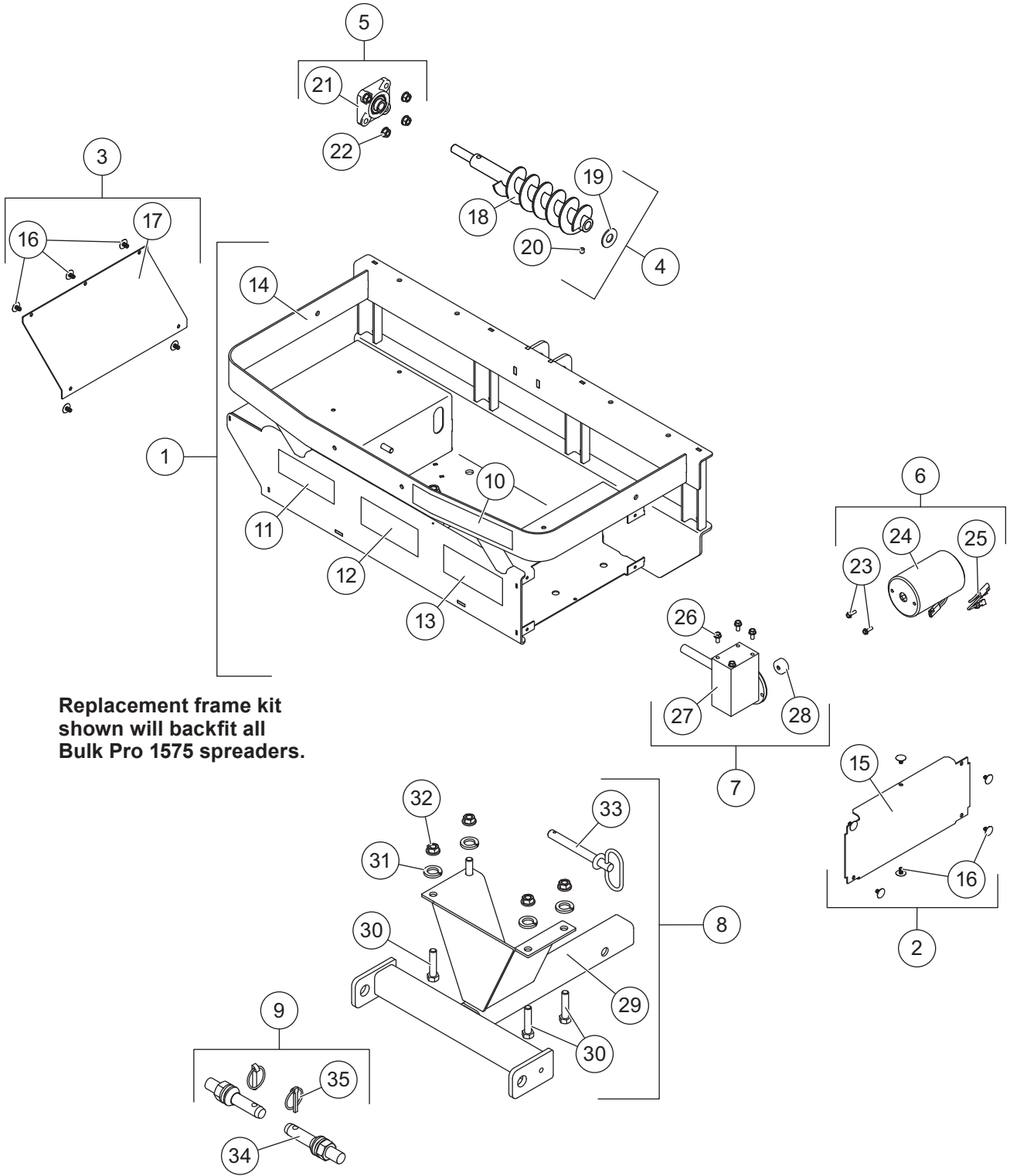
## Bulk Pro™ 1575 LOW-PROFILE TAILGATE SPREADER

| Hopper, Vibrator & Baffle |       |     |   |                                     |       |     |  |
|---------------------------|-------|-----|---|-------------------------------------|-------|-----|--|
| Item                      | Part  | Qty | Description                                   | Item                                | Part  | Qty | Description                                |
| 1                         | 75630 | 1   | Lid Kit                                       | 5                                   | 75612 | 1   | Hopper Strap Kit                           |
| 2                         | 75655 | 1   | Top Screen Kit 30 x 14                        | 6                                   | 75657 | 1   | Baffle Kit                                 |
| 3                         | 75652 | 1   | Hopper Kit, SP-1575*                          | 7                                   | 75673 | 1   | Vibrator – DC-80                           |
| 4                         | 75659 | 1   | Hopper Hardware Kit                           | 8                                   | 75658 | 1   | Vibrator Mount Kit                         |
| <b>Item 1</b>             |       |     |   | <b>75630 Lid Kit</b>                |       |     |  |
| 9                         |       | 1   | Lid Assembly                                  | 11                                  |       | 4   | #10 x 3/4 Hex Washer-Head Tapping Screw SS |
| 10                        |       | 2   | Flexible Draw Latch                           |                                     |       |     |  |
| <b>Item 2</b>             |       |     |   | <b>75655 Top Screen Kit 30 x 14</b> |       |     |  |
| 12                        |       | 1   | Top Screen 30 x 14                            | 15                                  |       | 2   | 1/4 x 1 Washer                             |
| 13                        |       | 2   | 5/16 Clamp                                    | 16                                  |       | 2   | 1/4 Hex Locknut SS                         |
| 14                        |       | 2   | 1/4-20 x 3/4 Hex Cap Screw Serrated Flange SS |                                     |       |     |  |
| <b>Item 3</b>             |       |     |   | <b>75652 Hopper Kit SP-1575*</b>    |       |     |  |
| 4                         | 75659 | 1   | Hopper Hardware Kit                           | 17                                  |       | 1   | Hopper 5.25 ft <sup>3</sup> – Yellow       |
| <b>Item 4</b>             |       |     |   | <b>75659 Hopper Hardware Kit</b>    |       |     |  |
| 18                        |       | 4   | 5/16-18 x 1 Hex Cap Screw                     | 20                                  |       | 4   | 5/16-18 Serrated Flange Locknut            |
| 19                        |       | 4   | 5/16 Flat Washer                              |                                     |       |     |  |
| <b>Item 5</b>             |       |     |   | <b>75612 Hopper Strap Kit</b>       |       |     |  |
| 10                        |       | 2   | Flexible Draw Latch                           | 21                                  |       | 2   | Latch Keeper                               |
| 11                        |       | 6   | #10 x 3/4 Hex Washer-Head Tapping Screw SS    |                                     |       |     |  |
| <b>Item 6</b>             |       |     |   | <b>75657 Baffle Kit</b>             |       |     |  |
| 22                        |       | 2   | 5/16-18 x 1-1/4 Hex Cap Screw SS              | 24                                  |       | 2   | 5/16-18 Hex Locknut SS                     |
| 23                        |       | 2   | 3/8 Flat Washer SS                            | 25                                  |       | 1   | Material Baffle Sp-1575                    |
| <b>Item 8</b>             |       |     |   | <b>75658 Vibrator Mount Kit</b>     |       |     |  |
| 23                        |       | 4   | 3/8 Flat Washer SS                            | 28                                  |       | 1   | Vibrator Mount Bracket                     |
| 26                        |       | 4   | 3/8-16 x 1 Hex Cap Screw SS                   | 29                                  |       | 4   | 3/8-16 x 1-1/2 Hex Cap Screw               |
| 27                        |       | 4   | 3/8-16 Serrated Flange Nut                    | 30                                  |       | 4   | 3/8-16 Hex Locknut                         |
| SS = Stainless Steel      |       |     |   |                                     |       |     |  |

\* Hopper ships with two latch keepers installed.

# Bulk Pro™ 1575 LOW-PROFILE TAILGATE SPREADER

## FRAME, AUGER & HITCH



Replacement frame kit shown will backfit all Bulk Pro 1575 spreaders.

# Bulk Pro™ 1575 LOW-PROFILE TAILGATE SPREADER

| Frame, Auger & Hitch |       |     |   |                                      |       |     |                                     |
|----------------------|-------|-----|---|--------------------------------------|-------|-----|-------------------------------------|
| Item                 | Part  | Qty | Description   | Item                                 | Part  | Qty | Description                         |
| 1*                   | 75653 | 1   | Frame Kit SP-1575                                     | 8                                    | 75654 | 1   | Hitch Kit                           |
| 2                    | 75667 | 1†  | Side Cover Kit SP-1575                                | 9                                    | 75666 | 1   | Lift Arm Pin Kit                    |
| 3‡                   | 75558 | 1   | Spinner Drive Cover Kit                               | 10                                   | 70439 | 1   | Label – Bulk Pro 1575 Spreader      |
| 4                    | 75661 | 1   | Auger Kit   | 11                                   | 75621 | 1   | Label – Warning, Hands and Feet     |
| 5                    | 75660 | 1   | Bearing Kit   | 12                                   | 75669 | 1   | Label – Warning, Rotating Auger     |
| 6                    | 75675 | 1   | Motor Kit   | 13                                   | 75623 | 1   | Label – Warning, Read Manual        |
| 7                    | 75670 | 1   | Auger Transmission Kit                                |                                      |       |     |                                     |
| <b>Item 1*</b>       |       |     |   | <b>75653 Frame Kit</b>               |       |     |                                     |
| 10                   | 70439 | 1   | Label – Bulk Pro 1575                                 | 13                                   | 75623 | 1   | Label – Warning, Read Manual        |
| 11                   | 75621 | 1   | Label – Warning, Hands and Feet                       | 14                                   |       | 1   | Main Frame                          |
| 12                   | 75669 | 1   | Label – Warning, Rotating Auger                       |                                      |       |     |                                     |
| <b>Item 2</b>        |       |     |   | <b>75667 Side Cover Kit</b>          |       |     |                                     |
| 15                   |       | 1   | Auger Drive Cover                                     | 16                                   | D6467 | 6   | 1/4 x 3/4 x 1/2 Push Retainer Nylon |
| <b>Item 3</b>        |       |     |   | <b>75558 Spinner Drive Cover Kit</b> |       |     |                                     |
| 16                   | D6467 | 6   | 1/4 x 3/4 x 1/2 Push Retainer Nylon                   | 17                                   |       | 1   | Spinner Drive Cover                 |
| <b>Item 4</b>        |       |     |   | <b>75661 Auger Kit</b>               |       |     |                                     |
| 18                   |       | 1   | 2-5/8 x 14 x 1-3/8 Auger                              | 20                                   |       | 1   | 5/16-18 x 3/8 Socket Head Set Screw |
| 19                   |       | 1   | 5/8 Flat Washer Nylon                                 |                                      |       |     |                                     |
| <b>Item 5</b>        |       |     |   | <b>75660 Bearing Kit</b>             |       |     |                                     |
| 21                   | 68662 | 1   | 5/8 Bearing 4-Bolt Flange                             | 22                                   |       | 4   | 3/8-16 Serrated Flange Nut          |
| <b>Item 6</b>        |       |     |   | <b>75675 Motor Kit</b>               |       |     |                                     |
| 23                   |       | 2   | #10-32 x 5/8 Hex Cap Screw<br>Serrated Flange w/Patch | 24                                   |       | 1   | Motor 12V DC, 3 x 3.8               |
|                      |       |     |   | 25                                   | D6651 | 1   | Motor Connector Adapter             |
| <b>Item 7</b>        |       |     |   | <b>75670 Auger Transmission Kit</b>  |       |     |                                     |
| 26                   |       | 4   | 1/4-20 x 3/4 Hex Cap Screw<br>Serrated Flange SS      | 27                                   |       | 1   | Transmission 30:1 Worm Gear         |
|                      |       |     |   | 28                                   | D6232 | 1   | Motor Drive Coupler                 |
| <b>Item 8</b>        |       |     |   | <b>75654 Hitch Kit</b>               |       |     |                                     |
| 29                   |       | 1   | Hitch   | 32                                   |       | 4   | 1/2-13 Serrated Flange Nut          |
| 30                   |       | 4   | 1/2-13 x 1-1/2 Hex Cap Screw                          | 33                                   | D4136 | 1   | Hitch Pin                           |
| 31                   |       | 4   | 1/2 Split Lock Washer Zinc                            |                                      |       |     |                                     |
| <b>Item 9</b>        |       |     |   | <b>75666 Lift Arm Pin Kit</b>        |       |     |                                     |
| 34                   |       | 2   | 7/8 x 5-1/2 Lift Arm Pin                              | 35                                   |       | 2   | 5/16 x 1-9/16 Linchpin              |
| SS = Stainless Steel |       |     |   |                                      |       |     |                                     |

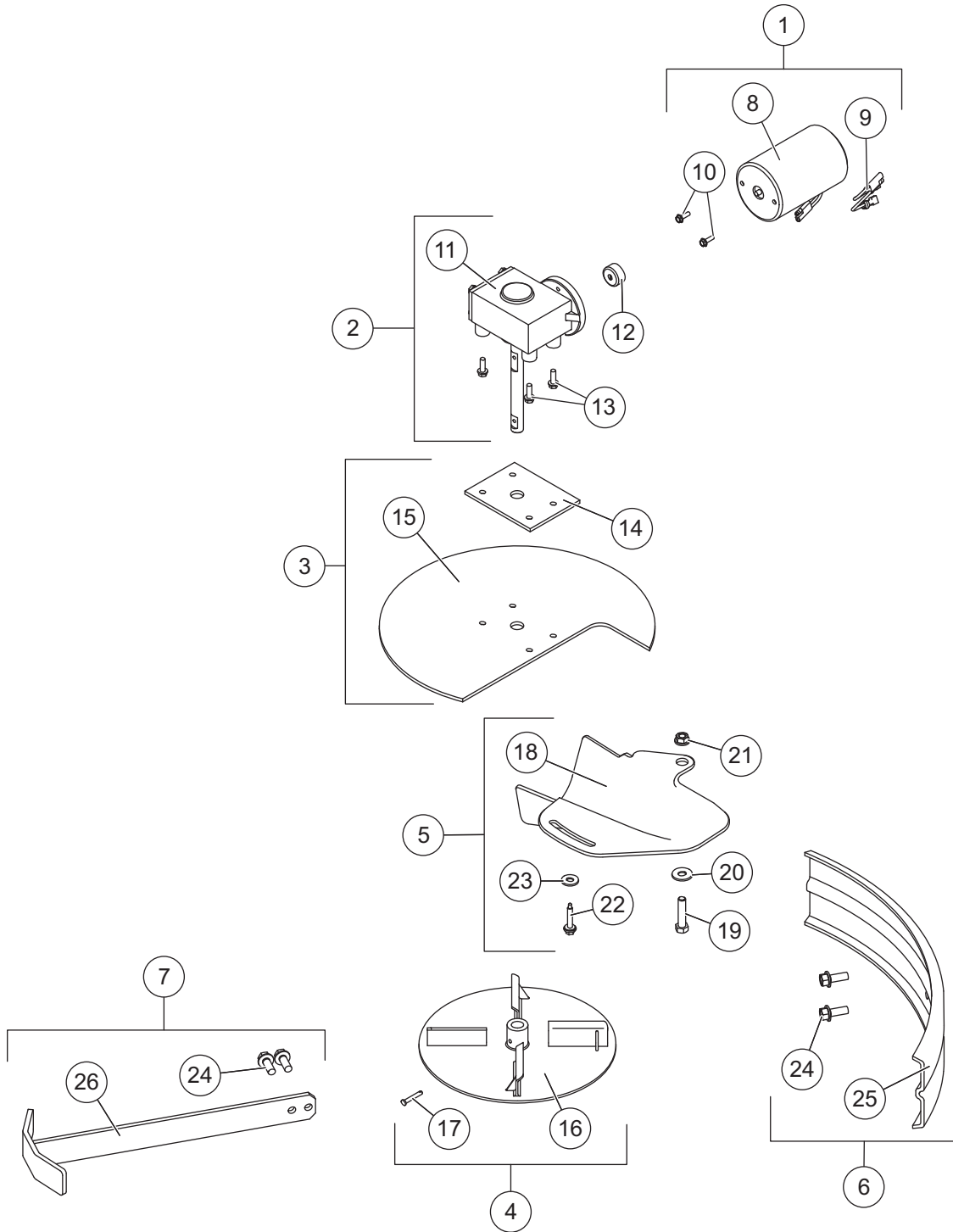
\* Item 3 Spinner Drive Cover Kit (PN 75558) must be purchased together with the current 75653 Frame Kit (shown).

† Qty 2 for spreaders with old-style frame.

‡ For spreaders with old-style frame, use 75667 Side Cover Kit (Item 2) in this location.

# Bulk Pro™ 1575 LOW-PROFILE TAILGATE SPREADER

## SPINNER ASSEMBLY & MATERIAL CHUTE

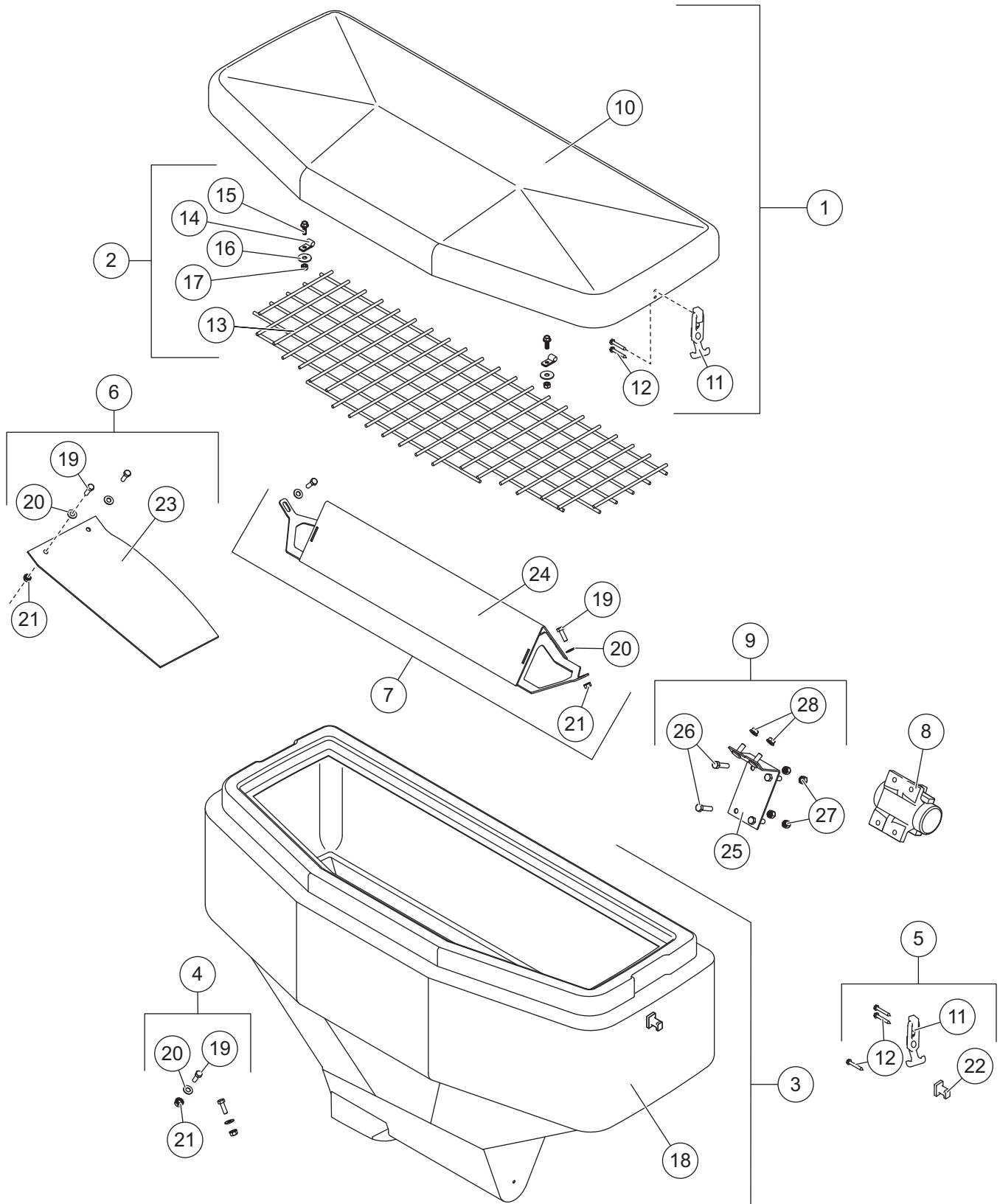


## Bulk Pro™ 1575 LOW-PROFILE TAILGATE SPREADER

| <b>Spinner Assembly &amp; Material Chute</b> |             |            |  |                                       |             |            |   |
|--|-------------|------------|--|---------------------------------------|-------------|------------|---|
| <b>Item</b>                                  | <b>Part</b> | <b>Qty</b> | <b>Description</b>                                 | <b>Item</b>                           | <b>Part</b> | <b>Qty</b> | <b>Description</b>                                    |
| 1  | 75675       | 1          | Motor Kit  | 5                                     | 75662       | 1          | Material Chute Kit                                    |
| 2  | 75640       | 1          | Spinner Transmission Kit                           | 6                                     | 75665       | 1          | Deflector kit   |
| 3  | 75663       | 1          | CE Guard Kit                                       | 7                                     | 75672       | 1          | Protector Foot Kit                                    |
| 4  | 75618       | 1          | Spinner Kit  |                                       |             |            |   |
| <b>Item 1</b>                                |             |            |  | <b>75675 Motor Kit</b>                |             |            |   |
| 8  |             | 1          | Motor 12V DC, 3 x 3.8                              | 10                                    |             | 2          | #10-32 x 5/8 Hex Cap Screw<br>Serrated Flange w/Patch |
| 9  | D6651       | 1          | Motor Connector Adapter                            |                                       |             |            |   |
| <b>Item 2</b>                                |             |            |  | <b>75640 Spinner Transmission Kit</b> |             |            |   |
| 11   |             | 1          | Transmission 8:1 Worm Gear                         | 13                                    |             | 4          | 1/4-20 x 3/4 Hex Cap Screw<br>Serrated Flange SS      |
| 12   | D6232       | 1          | Motor Drive Coupler                                |                                       |             |            |   |
| <b>Item 3</b>                                |             |            |  | <b>75663 CE Guard Kit</b>             |             |            |   |
| 14   |             | 1          | CE Guard Spacer                                    | 15                                    |             | 1          | CE Guard  |
| <b>Item 4</b>                                |             |            |  | <b>75618 Spinner Kit</b>              |             |            |   |
| 16   |             | 1          | Spinner 10" Poly                                   | 17                                    |             | 1          | 3/16 x 1-1/4 Detent Clevis Pin                        |
| <b>Item 5</b>                                |             |            |  | <b>75662 Material Chute Kit</b>       |             |            |   |
| 18   |             | 1          | Material Chute                                     | 21                                    |             | 1          | 1/2-13 Serrated Flange Nut                            |
| 19   |             | 1          | 1/2-13 x 1-1/2 Hex Cap Screw                       | 22                                    |             | 1          | 1/4 x 1-1/2 Driller w/R-M Washer                      |
| 20   |             | 1          | 1/2 Flat Washer, Hardened                          | 23                                    |             | 1          | 5/16 Flat Washer                                      |
| <b>Item 6</b>                                |             |            |  | <b>75665 Deflector Kit</b>            |             |            |   |
| 24   |             | 2          | 3/8-16 x 1 Hex Cap Screw Serrated<br>Flange Type F | 25                                    |             | 1          | Deflector   |
| <b>Item 7</b>                                |             |            |  | <b>75672 Protector Foot Kit</b>       |             |            |   |
| 24   |             | 2          | 3/8-16 x 1 Hex Cap Screw Serrated<br>Flange Type F | 26                                    |             | 1          | Spinner Protector Foot                                |
| SS = Stainless Steel                         |             |            |  |                                       |             |            |   |

# Bulk Pro™ 1875 LOW-PROFILE TAILGATE SPREADER

## HOPPER, VIBRATOR & INVERTED V





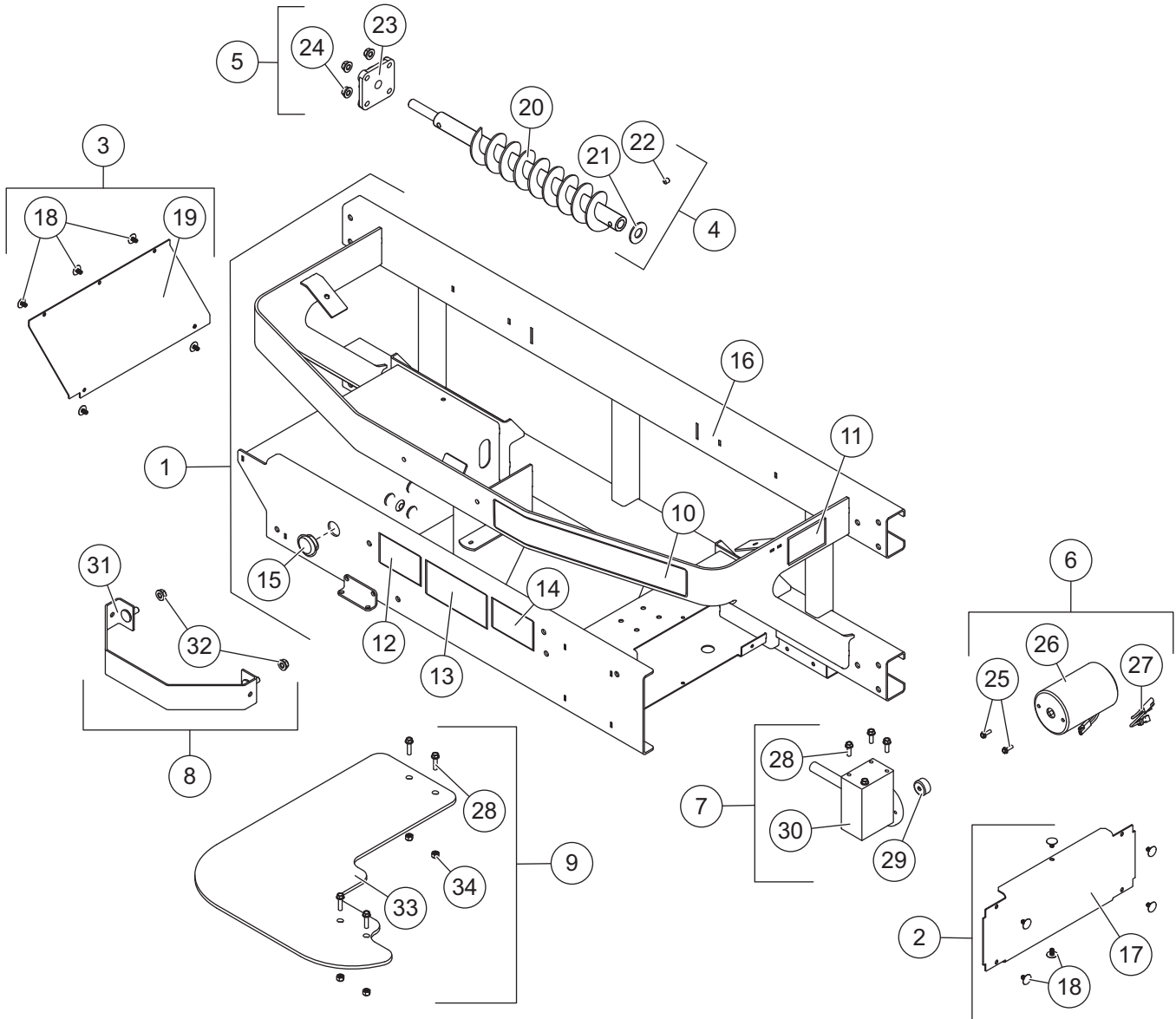
## Bulk Pro™ 1875 LOW-PROFILE TAILGATE SPREADER

| Hopper, Vibrator & Inverted V |       |     |   |   |       |     |  |
|-------------------------------|-------|-----|---|---|-------|-----|--|
| Item                          | Part  | Qty | Description                                   | Item                                    | Part  | Qty | Description                                |
| 1                             | 75677 | 1   | Lid Kit                                       | 6                                       | 75681 | 1   | Baffle Kit                                 |
| 2                             | 75680 | 1   | Top Screen Kit                                | 7                                       | 75682 | 1   | Inverted V Kit                             |
| 3                             | 75678 | 1   | Hopper Kit – SP-1875*                         | 8                                       | 75673 | 1   | Vibrator – DC-80                           |
| 4                             | 75614 | 1   | Hopper Hardware Kit                           | 9                                       | 75683 | 1   | Vibrator Mount Bracket Kit                 |
| 5                             | 75612 | 1   | Hopper Strap Kit                              |   |       |     |  |
| <b>Item 1</b>                 |       |     |   | <b>75677 Lid Kit</b>                    |       |     |  |
| 10                            |       | 1   | Lid Assembly                                  | 12                                      |       | 4   | #10 x 3/4 Hex Washer-Head Tapping Screw SS |
| 11                            |       | 2   | Flexible Draw Latch                           |   |       |     |  |
| <b>Item 2</b>                 |       |     |   | <b>75680 Top Screen Kit</b>             |       |     |  |
| 13                            |       | 1   | Top Screen, 40 x 14                           | 16                                      |       | 2   | 1/4 x 1 Washer                             |
| 14                            |       | 2   | 5/16 Clamp                                    | 17                                      |       | 2   | 1/4 Hex Locknut SS                         |
| 15                            |       | 2   | 1/4-20 x 3/4 Hex Cap Screw Serrated Flange SS |   |       |     |  |
| <b>Item 3</b>                 |       |     |   | <b>75678 Hopper Kit – SP-1875*</b>      |       |     |  |
| 4                             | 75614 | 1   | Hopper Hardware Kit                           | 18                                      |       | 1   | Hopper 8.75 ft <sup>3</sup> – Yellow       |
| <b>Item 4</b>                 |       |     |   | <b>75614 Hopper Hardware Kit</b>        |       |     |  |
| 19                            |       | 2   | 5/16-18 x 1-1/4 Hex Cap Screw SS              | 21                                      |       | 2   | 5/16-18 Hex Locknut SS                     |
| 20                            |       | 2   | 3/8 Flat Washer SS                            |   |       |     |  |
| <b>Item 5</b>                 |       |     |   | <b>75612 Hopper Strap Kit</b>           |       |     |  |
| 11                            |       | 2   | Flexible Draw Latch                           | 22                                      |       | 2   | Latch Keeper                               |
| 12                            |       | 6   | #10 x 3/4 Hex Washer-Head Tapping Screw SS    |   |       |     |  |
| <b>Item 6</b>                 |       |     |   | <b>75681 Baffle Kit</b>                 |       |     |  |
| 19                            |       | 2   | 5/16-18 x 1-1/4 Hex Cap Screw SS              | 21                                      |       | 2   | 5/16-18 Hex Locknut SS                     |
| 20                            |       | 2   | 3/8 Flat Washer SS                            | 23                                      |       | 1   | Material Baffle                            |
| <b>Item 7</b>                 |       |     |   | <b>75682 Inverted V Kit</b>             |       |     |  |
| 19                            |       | 2   | 5/16-18 x 1-1/4 Hex Cap Screw SS              | 21                                      |       | 2   | 5/16-18 Hex Locknut SS                     |
| 20                            |       | 2   | 3/8 Flat Washer SS                            | 24                                      |       | 1   | Inverted V                                 |
| <b>Item 9</b>                 |       |     |   | <b>75683 Vibrator Mount Bracket Kit</b> |       |     |  |
| 25                            |       | 1   | Mounting Bracket, Inverted V                  | 27                                      |       | 4   | 3/8-16 Hex Locknut                         |
| 26                            |       | 4   | 3/8-16 x 1-1/2 Hex Cap Screw                  | 28                                      |       | 2   | 3/8-16 Hex Nut Serrated Flange             |
| SS = Stainless Steel          |       |     |   |   |       |     |  |

\* Hopper ships with two latch keepers installed.

# Bulk Pro™ 1875 LOW-PROFILE TAILGATE SPREADER

## FRAME, AUGER & SPINNER GUARD



**Replacement frame kit  
shown will backfit all  
Bulk Pro 1875 spreaders.**

## Bulk Pro™ 1875 LOW-PROFILE TAILGATE SPREADER

| Frame, Auger & Spinner Guard |       |     |   |                                      |       |     |                                       |
|------------------------------|-------|-----|---|--------------------------------------|-------|-----|---------------------------------------|
| Item                         | Part  | Qty | Description   | Item                                 | Part  | Qty | Description                           |
| 1*                           | 75684 | 1   | Frame Kit   | 8                                    | 75688 | 1   | Trim Ring Kit                         |
| 2                            | 75687 | 1†  | Side Cover Kit  | 9                                    | 75690 | 1   | Spinner Guard Kit                     |
| 3‡                           | 75560 | 1   | Spinner Drive Cover Kit                               | 10                                   | 70438 | 1   | Label – Identity, Bulk Pro 1875       |
| 4                            | 75679 | 1   | Auger Kit   | 11                                   | 75694 | 1   | Label – Warning, Never Swing Spreader |
| 5                            | 75660 | 1   | Bearing Kit   | 12                                   | 75621 | 1   | Label – Warning, Hands and Feet       |
| 6                            | 75675 | 1   | Motor Kit   | 13                                   | 75669 | 1   | Label – Warning, Rotating Auger       |
| 7                            | 75692 | 1   | Auger Transmission Kit                                | 14                                   | 75623 | 1   | Label – Warning, Read Manual          |
| <b>Item 1*</b>               |       |     |   | <b>75684 Frame Kit, SP-1875</b>      |       |     |                                       |
| 10                           | 70438 | 1   | Label – Identity, Bulk Pro 1875                       | 14                                   | 75623 | 1   | Label – Warning, Read Manual          |
| 11                           | 75694 | 1   | Label – Warning, Never Swing Spreader                 | 15                                   | 75689 | 1   | Bearing Access Cover                  |
| 12                           | 75621 | 1   | Label – Warning, Hands and Feet                       | 16                                   |       | 1   | Main Frame                            |
| 13                           | 75669 | 1   | Label – Warning, Rotating Auger                       |                                      |       |     |                                       |
| <b>Item 2</b>                |       |     |   | <b>75687 Side Cover Kit</b>          |       |     |                                       |
| 17                           |       | 1   | Drive Cover   | 18                                   | D6467 | 6   | 1/4 x 3/4 x 1/2 Push Retainer Nylon   |
| <b>Item 3**</b>              |       |     |   | <b>75560 Spinner Drive Cover Kit</b> |       |     |                                       |
| 18                           | D6467 | 6   | 1/4 x 3/4 x 1/2 Push Retainer Nylon                   | 19                                   |       | 1   | Spinner Drive Cover                   |
| <b>Item 4</b>                |       |     |   | <b>75679 Auger Kit</b>               |       |     |                                       |
| 20                           |       | 1   | 2-5/8 x 20 x 1-3/8 Auger                              | 22                                   |       | 1   | 5/16-18 x 3/8 Socket Head Set Screw   |
| 21                           |       | 1   | 5/8 Flat Washer Nylon                                 |                                      |       |     |                                       |
| <b>Item 5</b>                |       |     |   | <b>75660 Bearing Kit</b>             |       |     |                                       |
| 23                           | 68662 | 1   | 5/8 Bearing 4-Bolt Flange                             | 24                                   |       | 4   | 3/8-16 Serrated Flange Nut            |
| <b>Item 6</b>                |       |     |   | <b>75675 Motor Kit</b>               |       |     |                                       |
| 25                           |       | 2   | #10-32 x 5/8 Hex Cap Screw<br>Serrated Flange w/Patch | 26                                   |       | 1   | Motor 12V DC, 3 x 3.8                 |
|                              |       |     |   | 27                                   | D6651 | 1   | Motor Connector Adapter               |
| <b>Item 7</b>                |       |     |   | <b>75692 Auger Transmission Kit</b>  |       |     |                                       |
| 28                           |       | 4   | 1/4-20 x 3/4 Hex Cap Screw<br>Serrated Flange SS      | 29                                   | D6232 | 1   | Motor Drive Coupler                   |
|                              |       |     |   | 30                                   |       | 1   | Transmission 20:1 Worm Gear           |
| <b>Item 8</b>                |       |     |   | <b>75688 Trim Ring Kit</b>           |       |     |                                       |
| 31                           |       | 1   | Trim Ring   | 32                                   |       | 2   | 3/8-16 Hex Nut Serrated Flange        |
| <b>Item 9</b>                |       |     |   | <b>75690 Spinner Guard Kit</b>       |       |     |                                       |
| 28                           |       | 4   | 1/4-20 x 3/4 Hex Cap Screw<br>Serrated Flange SS      | 33                                   |       | 1   | Spinner Guard                         |
|                              |       |     |   | 34                                   |       | 4   | 1/4-20 Locknut                        |
| SS = Stainless Steel         |       |     |   |                                      |       |     |                                       |

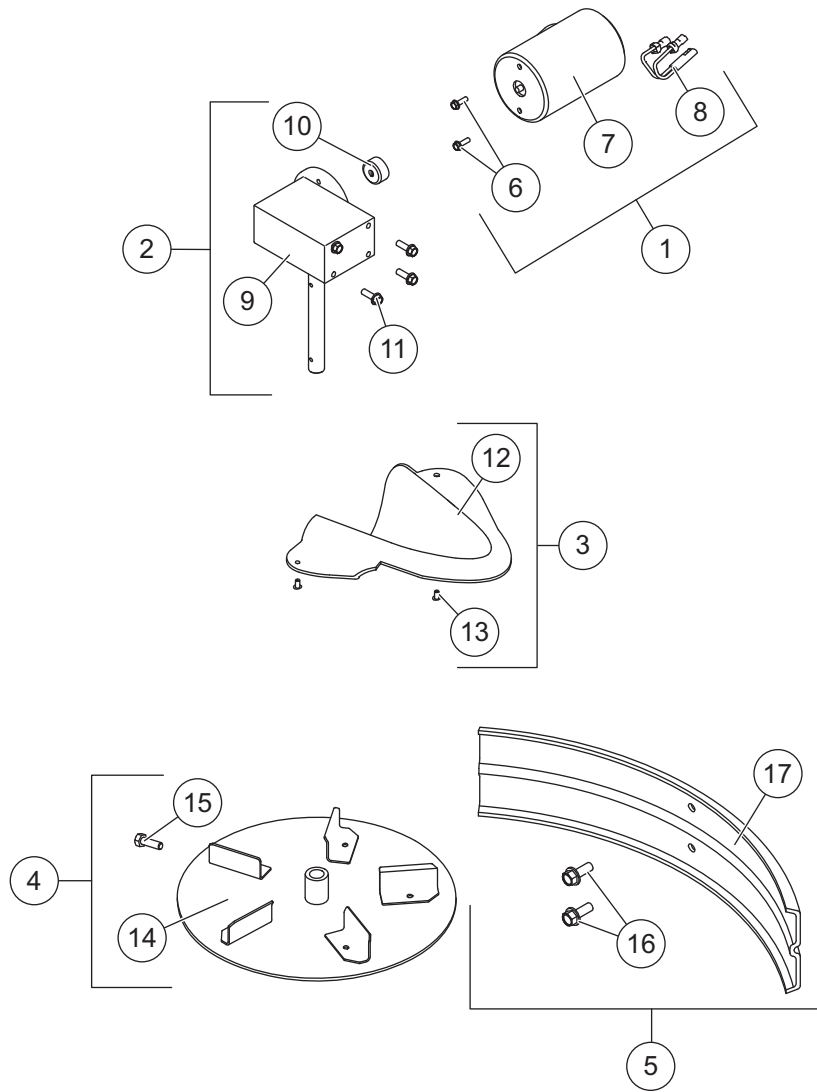
\* Item 3 spinner drive cover kit (PN 75660) must be purchased together with the current 75684 frame kit (shown).

† Qty 2 for spreaders with old-style frame.

‡ For spreaders with old-style frame, use 75667 side cover kit (item 2) in this location.

# Bulk Pro™ 1875 LOW-PROFILE TAILGATE SPREADER

## SPINNER, CHUTE & DEFLECTOR

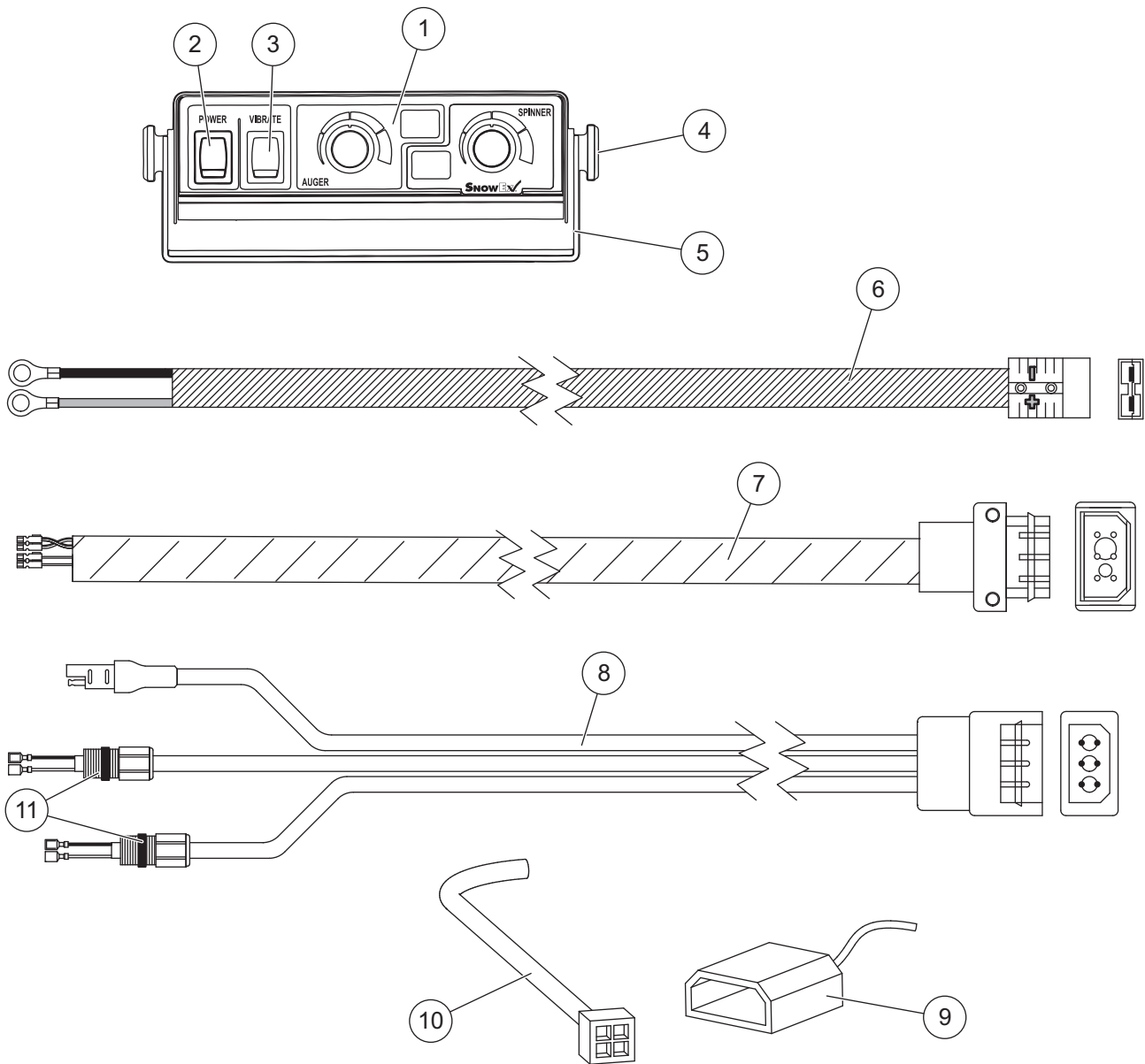


## Bulk Pro™ 1875 LOW-PROFILE TAILGATE SPREADER

| <b>Spinner, Chute &amp; Deflector</b> |             |            |  |   |             |            |  |
|---------------------------------------|-------------|------------|--|---|-------------|------------|--|
| <b>Item</b>                           | <b>Part</b> | <b>Qty</b> | <b>Description</b>                                     | <b>Item</b>                             | <b>Part</b> | <b>Qty</b> | <b>Description</b>                               |
| 1                                     | 75626       | 1          | Motor Kit – Spinner                                    | 4                                       | 75685       | 1          | Spinner Kit SP-1875                              |
| 2                                     | 75686       | 1          | Spinner Transmission Kit                               | 5                                       | 75665       | 1          | Deflector Kit                                    |
| 3                                     | 75691       | 1          | Material Chute Kit SP-1875                             |   |             |            |  |
| <b>Item 1</b>                         |             |            |  | <b>75626 Motor Kit – Spinner</b>        |             |            |  |
| 6                                     |             | 2          | #10-32 x 5/8 Cap Screw Serrated<br>Flange Zinc w/Patch | 7                                       |             | 1          | Motor 12V DC, 3 x 3.8                            |
|                                       |             |            |  | 8                                       | D6652       | 1          | Motor Connector Adapter                          |
| <b>Item 2</b>                         |             |            |  | <b>75686 Spinner Transmission Kit</b>   |             |            |  |
| 9                                     |             | 1          | Transmission 8:1 Worm Gear                             | 11                                      |             | 4          | 1/4-20 x 3/4 Hex Cap Screw<br>Serrated Flange SS |
| 10                                    | D6232       | 1          | Motor Drive Coupler                                    |   |             |            |  |
| <b>Item 3</b>                         |             |            |  | <b>75691 Material Chute Kit SP-1875</b> |             |            |  |
| 12                                    |             | 1          | Material Chute   | 13                                      |             | 2          | 3/16 x .354 Rivet – Black Aluminum               |
| <b>Item 4</b>                         |             |            |  | <b>75685 Spinner Kit SP-1875</b>        |             |            |  |
| 14                                    |             | 1          | Spinner, 12" Steel                                     | 15                                      |             | 1          | 5/16-18 x 1/2 Hex Cap Screw                      |
| <b>Item 5</b>                         |             |            |  | <b>75665 Deflector Kit</b>              |             |            |  |
| 16                                    |             | 2          | 3/8-16 x 1 Hex Cap Screw Serrated<br>Flange Type F     | 17                                      |             | 1          | Deflector  |
| SS = Stainless Steel                  |             |            |  |   |             |            |  |

# Bulk Pro™ 1575, Bulk Pro 1875 LOW-PROFILE TAILGATE SPREADER

## ELECTRICAL COMPONENTS



# Bulk Pro™ 1575, Bulk Pro 1875 LOW-PROFILE TAILGATE SPREADER

| Electrical Components |       |     |                                      |                                   |       |     |                                |
|-----------------------|-------|-----|--------------------------------------|-----------------------------------|-------|-----|--------------------------------|
| Item                  | Part  | Qty | Description                          | Item                              | Part  | Qty | Description                    |
| 1                     | D6527 | 1   | Spreader Control (incl. items 2 & 3) | 7                                 | D6322 | 1   | Vehicle Harness, 311"          |
| 2                     | D6237 | 1   | Power Switch, 5-Terminal             | 8                                 | 75676 | 1   | Spreader Harness Kit           |
| 3                     | D6354 | 1   | Vibrator Switch, 3-Terminal          | 9                                 | D6343 | 1   | Dust Cover                     |
| 4                     | D6124 | 2   | Bracket Knob                         | 10                                | D6170 | 1   | Anderson Connector Adapter, 6" |
| 5                     | D6329 | 1   | Control Mounting Bracket             | ns                                | D6344 | 1   | Dielectric Grease, 1-1/2 oz    |
| 6                     | D6341 | 1   | Control Power Cable, 38"             |                                   |       |     |                                |
| <b>Item 8</b>         |       |     |                                      | <b>75676 Spreader Harness Kit</b> |       |     |                                |
| -                     |       | 1   | Spreader Harness                     | 11                                |       | 2   | 1/2 Nut NPT Black Nylon        |
| ns = not shown        |       |     |                                      |                                   |       |     |                                |



TrynEx International, LLC  
531 Ajax Drive  
Madison Heights, MI 48071-2429  
[www.snowexproducts.com](http://www.snowexproducts.com)

 A DIVISION OF DOUGLAS DYNAMICS, LLC

Copyright © 2019 Douglas Dynamics, LLC. All rights reserved. This material may not be reproduced or copied, in whole or in part, in any printed, mechanical, electronic, film, or other distribution and storage media, without the written consent of TrynEx International, LLC. Authorization to photocopy items for internal or personal use by TrynEx International outlets or spreader owner is granted.

TrynEx International reserves the right under its product improvement policy to change construction or design details and furnish equipment when so altered without reference to illustrations or specifications used. TrynEx International or the vehicle manufacturer may require or recommend optional equipment for spreaders. Do not exceed vehicle ratings with a spreader. TrynEx International offers a limited warranty for all spreaders and accessories. See separately printed page for this important information. The following are registered (®) or unregistered (™) trademarks of Douglas Dynamics, LLC: Bulk Pro™, SnowEx®, TrynEx®.

**Printed in U.S.A.**