



# XBLADE™ Snowplow Components

7-1/2' 27510-1 (SS), 27512 (MS\*)

8' 28100-1 (SS), 28200 (MS\*), 29618-1 (PY)

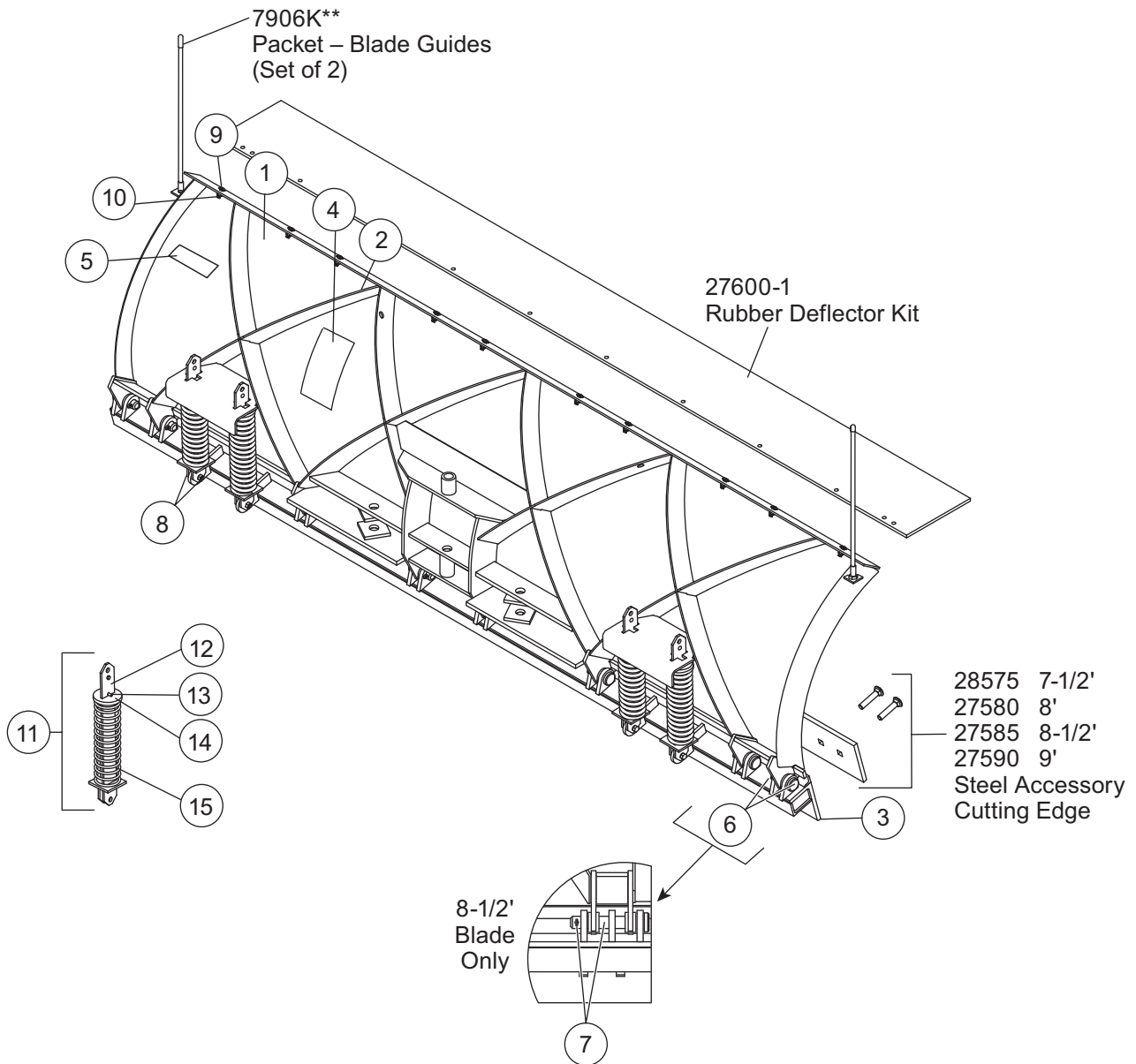
8-1/2' 28510-1 (SS), 28520 (MS\*)

**Fisher Engineering** 9' 29100-1 (SS), 29200 (MS\*), 29619-1 (PY)

50 Gordon Drive, Rockland, Maine 04841-2139 • www.fisherplows.com

April 15, 2008

Lit. No. 44916, Rev. 00



\* Service part only. Whole blade no longer available.  
 \*\* Packed in 27777 and 28900 Minute Mount® 2 Headgear Kits.

**27510-1, 27512\*, 28100-1, 28200\*, 28510-1,  
28520\*, 29100-1, 29200\*, 29618-1, 29619-1**

Blade Components						
Item	Description	Part Number				
		7-1/2'	8'	8-1/2'	9'	
1	Mild Steel Moldboard Assembly	26301	28101	28414	29101	
	Stainless Steel Moldboard Assembly	26325	28103	28415	29103	
	Poly Moldboard Assembly	n/a	29708	n/a	29709	
2	Blade Frame (Without Base Angle)	26327	27538	28396	27539	
3	Base Angle	26326	27558	27285	27559	
4	Label – Information (Warning)	59900				
5	Label – Identity, STORM GUARD™ (Painted Blades Only)	26211				
ns	Decal – Splatter 13-1/4 x 14-1/2	20238				
ns	Label – Identity, XBLADE™	27515				
ns = not shown						

Springs and Fasteners						
Item	Part	Description	Qty			
			7-1/2'	8'	8-1/2'	9'
6	27241	1 x 2-3/4 Clevis Pin w/Cotter	6	6	4	8
7	7905K	1 x 6 Pin w/Cotter	–	–	2	–
8	26656K	Shoulder Bolt w/Locknut	4	4	4	4
9	98043	3/8-16 x 1 Button Cap Screw For Mild Steel Moldboards For Stainless Steel and Poly Moldboards	8	8	10	10
	98035					
10	91333	3/8-16 x 1 Hex Locknut For Mild Steel Moldboards For Stainless Steel and Poly Moldboards	8	8	10	10
	95410					
11	21452	Removable Spring Assembly	4	4	4	4
12	21450	Removable Spring Bar	4	4	4	4
13	20181	1/4 x 1-1/4 Pin	4	4	4	4
14	20191	Removable Spring Disc	4	4	4	4
15	5323	Trip Spring	4	4	4	4

\* Service part only. Whole blade no longer available.

Copyright © 2008 Douglas Dynamics, L.L.C. All rights reserved. This material may not be reproduced or copied, in whole or in part, in any printed, mechanical, electronic, film or other distribution and storage media, without the written consent of Fisher Engineering. Authorization to photocopy items for internal or personal use by Fisher Engineering outlets or snowplow owner is granted.

Fisher Engineering reserves the right under its product improvement policy to change construction or design details and furnish equipment when so altered without reference to illustrations or specifications used. Fisher Engineering or the vehicle manufacturer may require or recommend optional equipment for snow removal. Do not exceed vehicle ratings with a snowplow. Fisher Engineering offers a limited warranty for all snowplows and accessories. See separately printed page for this important information. The following are registered (®) or unregistered (™) trademarks of Douglas Dynamics, L.L.C.: FISHER®, Minute Mount® 2, STORM GUARD™, XBLADE™.

Printed in U.S.A.