



MIDWEIGHT™, PRO-PLOW® Series 2 and POLY PRO-PLOW® Series 2 Snowplow

**Poly Blade Assemblies 72400, 72450, 74330
Steel Blade Assemblies 72308, 72381, 72390, 74340
H,A&L Center Assembly 74900
H,A&L Center Assembly, Central Hydraulics 74910**

Parts List

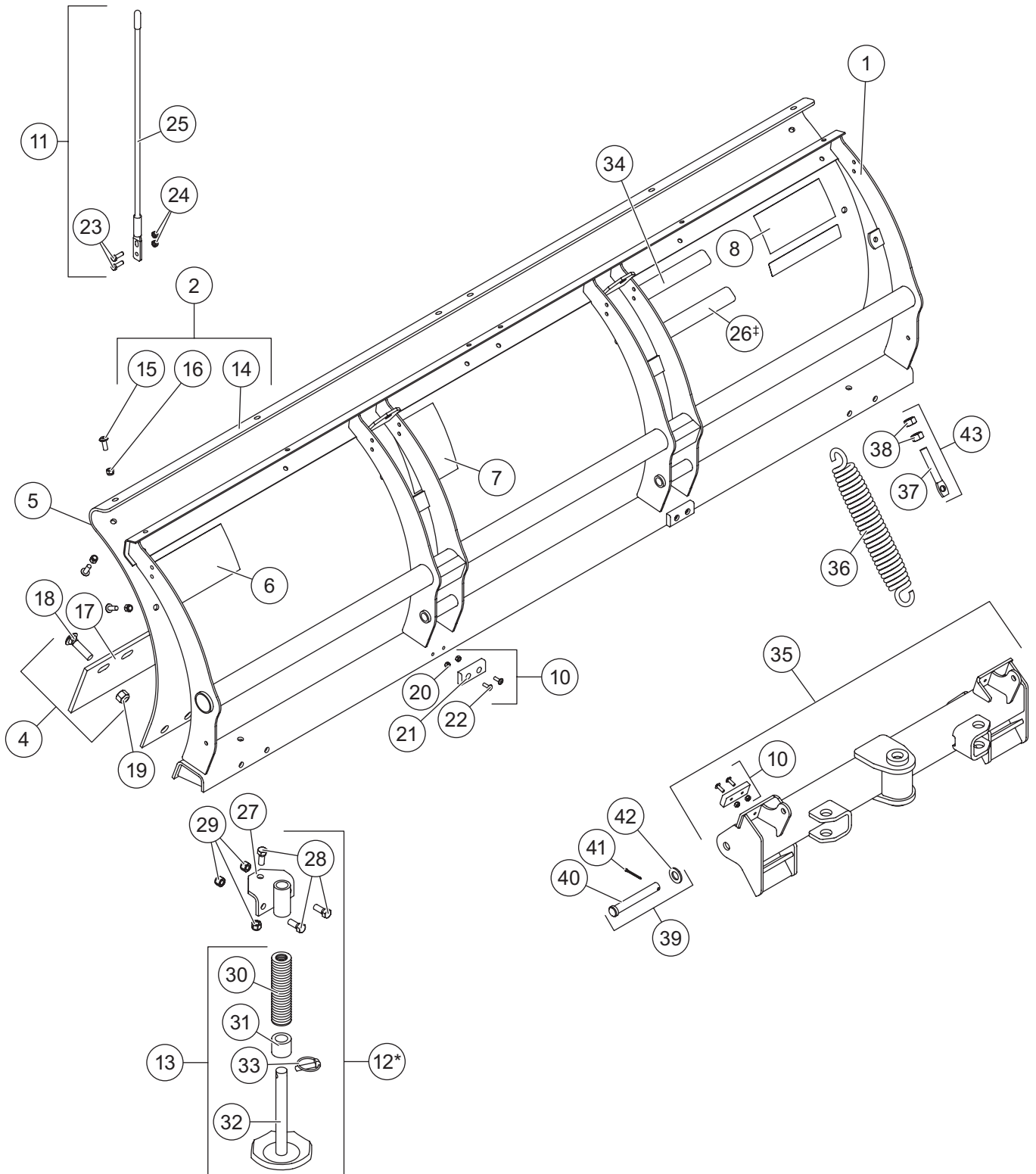


TABLE OF CONTENTS

MIDWEIGHT™ BLADE ASSEMBLY	4
PRO-PLOW® Series 2 BLADE ASSEMBLY	6
MIDWEIGHT AND PRO-PLOW Series 2 CENTER ASSEMBLY	8
Lift Frame and A-Frame	8
Hydraulic Unit	10
Lift and Angle Rams	12
Hoses and Fittings	12
Electrical Components	13
Vehicle-Side Wiring Diagram – 3-Port, 2-Plug System	14
Vehicle-Side Wiring Diagram – Central Hydraulics	15
Headlamp Kit	16

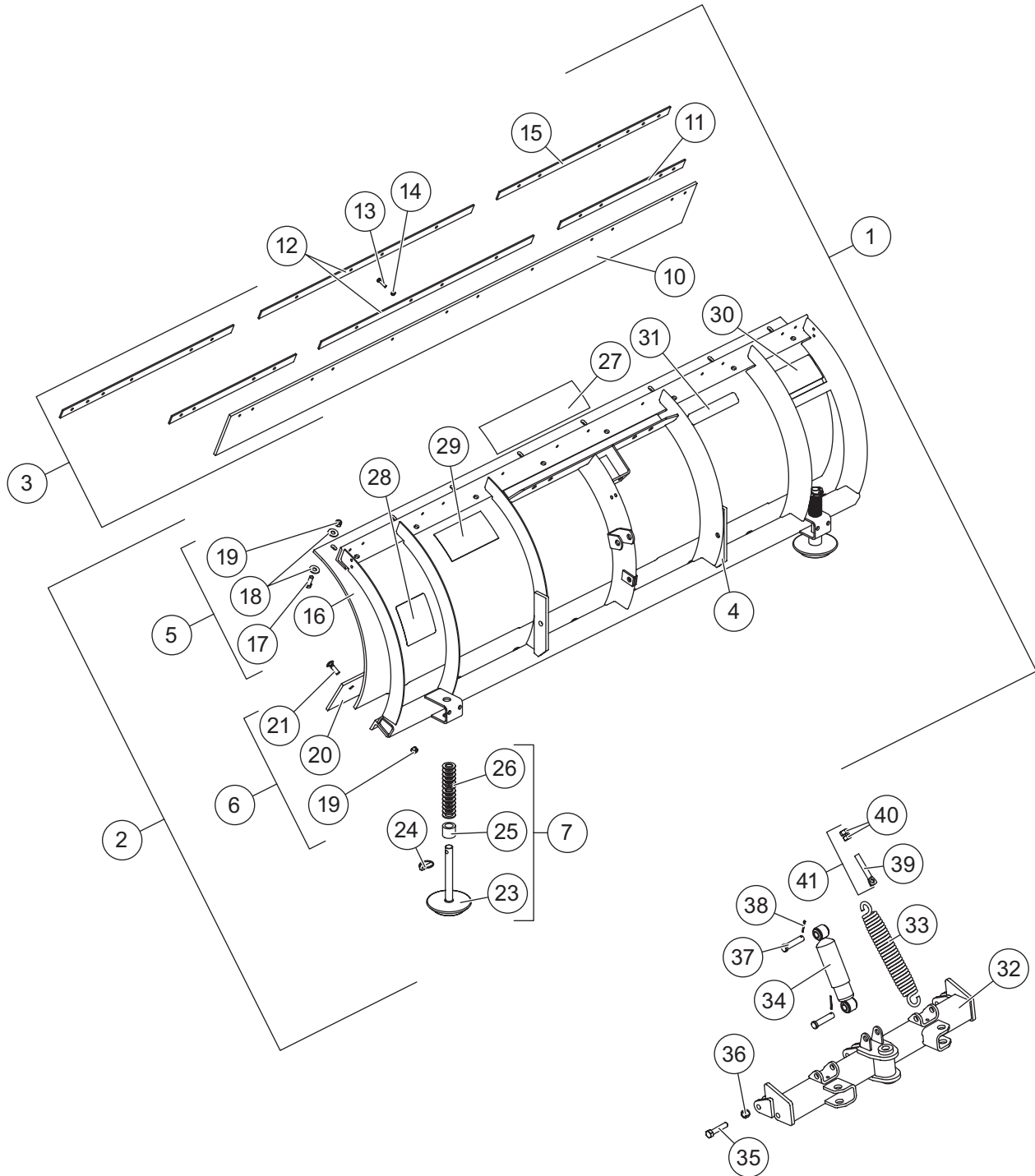
MIDWEIGHT™ BLADE ASSEMBLY

Blade Assembly Components



PRO-PLOW® Series 2 BLADE ASSEMBLY

Blade Assembly Components

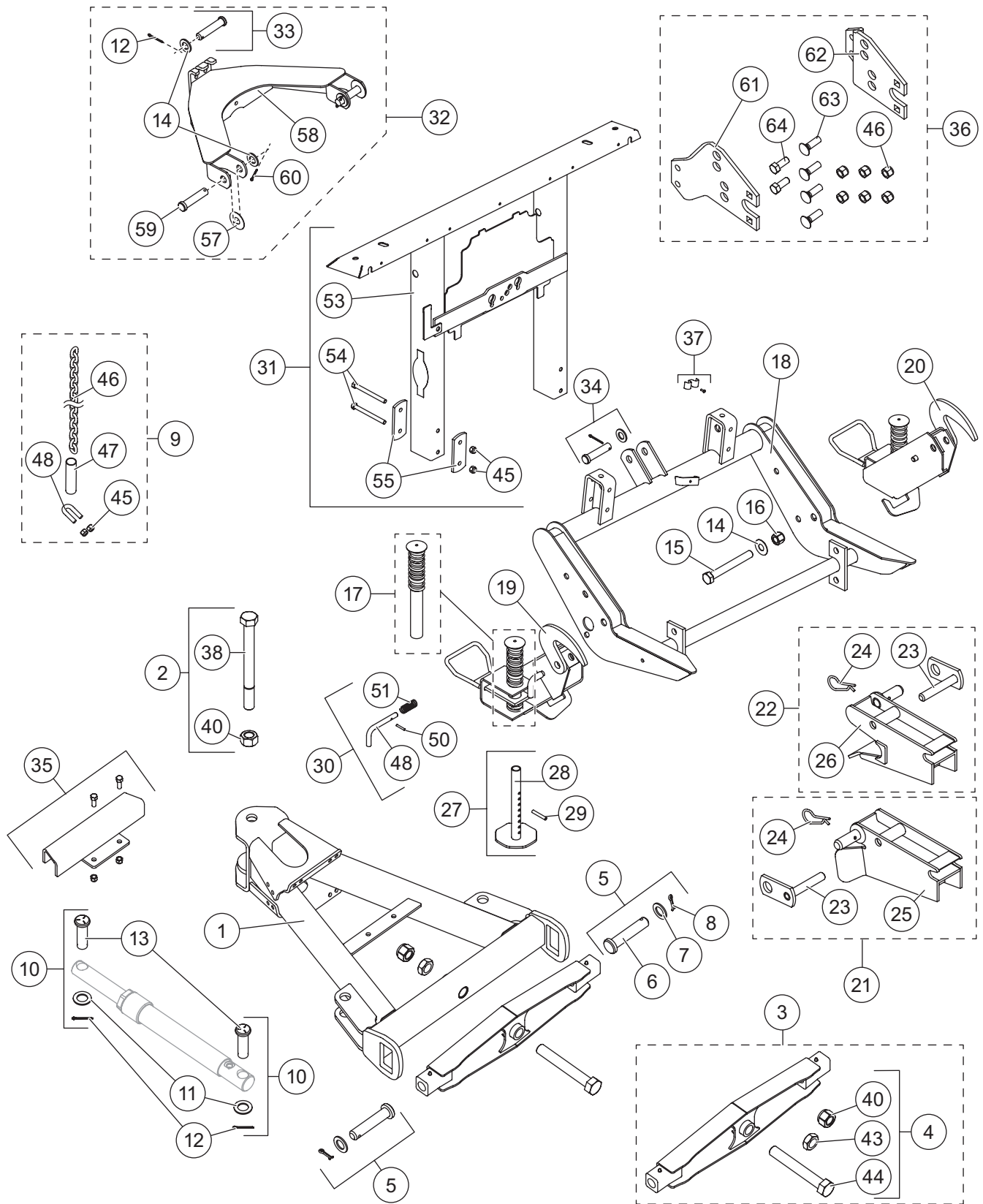


PRO-PLOW® Series 2 BLADE ASSEMBLY

PRO-PLOW® Series 2 and POLY PRO-PLOW® Series 2 Blade Assembly Components							
Item	Part	Qty	Description	Item	Part	Qty	Description
1†	62400†	1	7-1/2' Blade Assembly – Poly	7	49071	2	Disc Shoe Assembly
	62450†	1	8' Blade Assembly – Poly	31‡	28404	1	Label – Identity, ULTRAFINISH™
2	62395†	1	7-1/2' Blade – Poly	32	68290	1	Quadrant, PRO-PLOW Series 2
	62420†	1	8' Blade – Poly	33	23039	4	Trip Spring
ns‡	60381‡	1	7-1/2' Blade Assembly – Steel	34	63979	1	Shock Absorber Assembly
	60390‡	1	8' Blade Assembly – Steel	35	90132	2	5/8-11 x 3 Hex Cap Screw G5
	60308‡	1	8-1/2' Blade Assembly – Steel	36	91337	2	5/8-11 Hex Locknut GB
3†	62396†	1	7-1/2' Rubber Deflector Assembly	37	93063	2	3/4 x 3-1/4 Clevis Pin
	62402†	1	8' Rubber Deflector Assembly	38	91911	2	5/32 x 1-1/2 Cotter Pin
4†	62350†	1	7-1/2' Blade Frame	41	66421	4	5/8-11 x 4 Eyebolt w/Nuts Kit
	62415†	1	8' Blade Frame	ns	28548	1	Blade Label Kit – UltraMount®
5†	49322†	1	7-1/2' Moldboard Kit				
	49327†	1	8' Moldboard Kit				
6	49312†	1	7-1/2' Cutting Edge Assembly – Poly				
	49328†	1	8' Cutting Edge Assembly – Poly				
	49088‡	1	7-1/2' Cutting Edge Assembly – Steel				
	49089‡	1	8' Cutting Edge Assembly – Steel				
	49086‡	1	8-1/2' Cutting Edge Assembly – Steel				
Item 2 Blade Assembly							
4†		1	Blade Frame	6		1	Cutting Edge Assembly
5†		1	Moldboard Kit	7	49071	2	Disc Shoe Assembly
Item 3† 62396 7-1/2' Rubber Deflector Assembly							
10		1	7-1/2' Rubber Deflector	13	90048	12	5/16-18 x 1-1/4 Hex Cap Screw G5
11	64803	2	7-1/2' Retainer, Outer	14	91332	12	5/16-18 Hex Locknut GB
12	64802	1	Retainer, Inner				
Item 3† 62402 8' Rubber Deflector Assembly							
10		1	8' Rubber Deflector	14	91332	12	5/16-18 Hex Locknut GB
12	64802	1	Retainer, Inner	15	64801	2	8'-9' Retainer, Outer
13	90048	12	5/16-18 x 1-1/4 Hex Cap Screw G5				
Item 5† Moldboard Kit							
16		1	Plastic Moldboard	18	91105	16	1/2 Flat Washer Type A Wide
17	90210	8	1/2-13 x 1-1/2 Hex Cap Screw G5	19	91335	8	1/2-13 Hex Locknut GB
Item 6 Cutting Edge Assembly							
20		1	Cutting Edge	19	91335	8	1/2-13 Hex Locknut GB
21	90238	8	1/2-13 x 1-3/4 Carriage Bolt G8				
Item 7 49071 Disc Shoe Assembly							
23		1	Disc Shoe	25	60045	1	Spacer
24		1	7/16 x 1-3/4 Linchpin	26	91192	26	1" Flat Washer Special
Item 41 66421 5/8-11 x 4 Eyebolt w/Nuts Kit							
39	90490	1	5/8-11 x 4 Eyebolt	40	91416	2	5/8-11 Hex Nut GB
ns 28548 Blade Label Kit – UltraMount							
27	69489	1	Label – Identity, WESTERN®	29	67796	1	Label – UltraMount Attach/Detach
28	59900	1	Label – Warning/Caution, Snowplow	30	44451	1	Label – Identity, WESTERN 8.31"
ns = not shown		† = Poly Blades Only		‡ = Steel Blades Only		G = Grade	

MIDWEIGHT™ & PRO-PLOW® Series 2 CENTER ASSEMBLY 74900/74910(CH)

Lift Frame and A-Frame Components



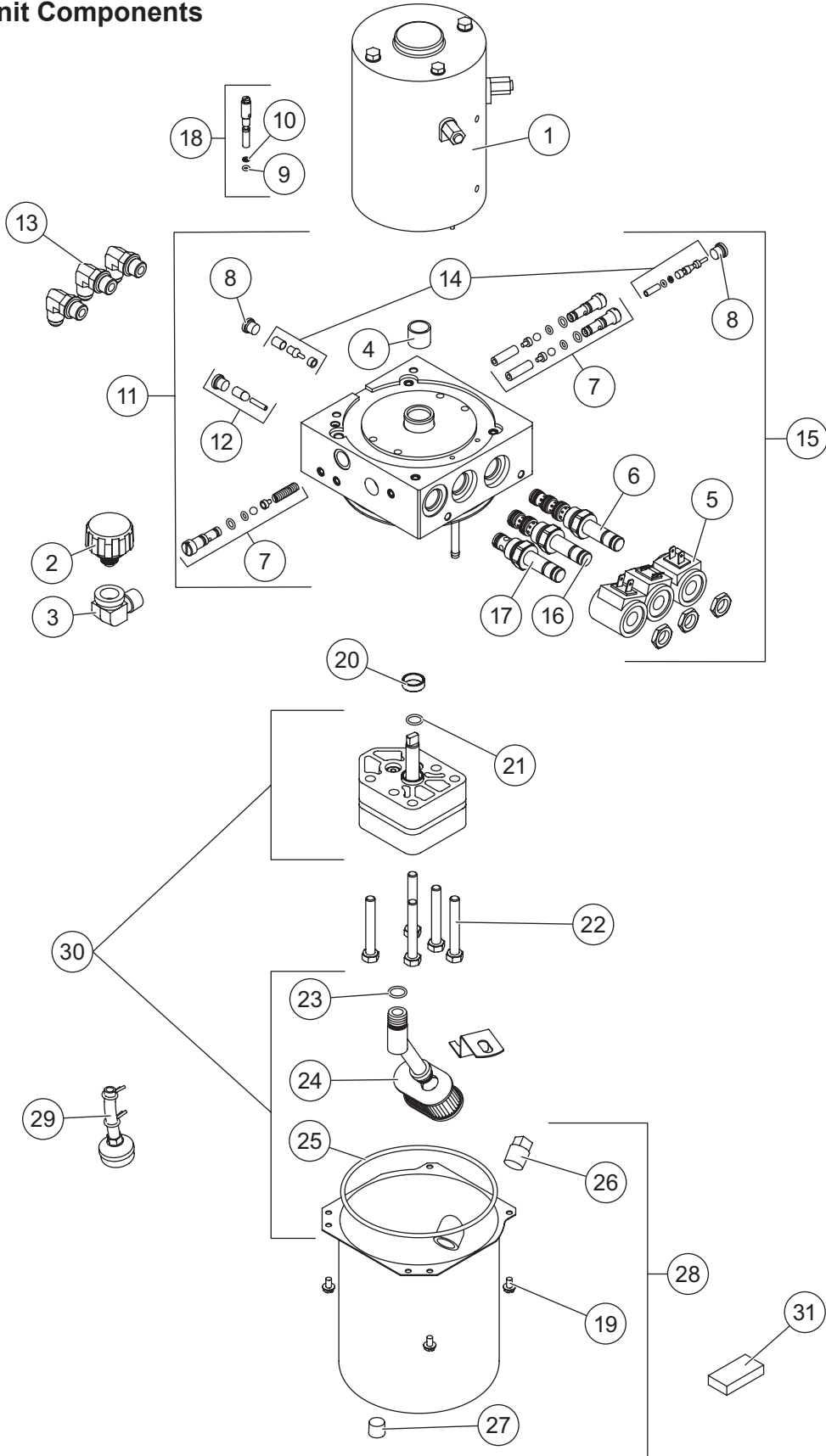
MIDWEIGHT™ & PRO-PLOW® Series 2 CENTER ASSEMBLY 74900/74910(CH)

MIDWEIGHT and PRO-PLOW Series 2 Lift Frame & A-Frame Components							
Item	Part	Qty	Description	Item	Part	Qty	Description
1	68291	1	A-Frame	19	67845	1	Stand Assembly DS
2	69494	1	Nose Plate Bolt Kit	20	67846	1	Stand Assembly PS
3	67842-1	1	Pivot Bar Kit (incl. item 4)	21	67858	1	Receiver Kit DS
4	67855	1	Pivot Bolt Kit	22	67859	1	Receiver Kit PS
5	49645	2	Pivot Bar Pin Kit	23	67665	2	Pin, Receiver
6		2	1 x 4-3/4 Clevis Pin	24	91965K	2	5/32 Hairpin Cotter
7	91192	2	Flat Washer, Special	25		1	Receiver DS
8	90607	2	1/4 x 1-3/4 Cotter Pin	26		1	Receiver PS
9	49033	2	1/4 Grade 43 Chain Assembly	27	67847	2	Stand Shoe Kit
10	63973	4	Ram Pin Kit	28		1	Stand Shoe
11	91192	6	Round Flat Washer, Special	29	67635	1	1/4 x 2 Roll Pin
12	91911K	4	5/32 x 1-1/2 Cotter Pin Kit (pkg of 4)	30	67844	2	Stand Lock Pin Kit
13	93074	4	1 x 3-1/4 Clevis Pin	31	42351	1	Upper Lift Frame Kit
14	91147	2	3/4 Flat Washer	32	67850-2	1	Lift Arm Kit (incl. items 33 & 34)
15	66451	2	3/4-10 x 6 Hex Cap Screw G5	33	68740	1	3/4 x 3-1/2 Clevis Pin Kit
16	91338	2	3/4-10 Hex Locknut GB	34	93063K	1	3/4 x 3-1/4 Clevis Pin Kit
17	48523	2	Plunger w/Spring	35	50676	1	Stacking Stop Kit
18	67903-1	1	Lift Frame, Lower – MIDWEIGHT	36	67843	1	Pivot Plate Service Kit
	67556-2	1	Lift Frame, Lower – PRO-PLOW Series 2	37	49479-1	1	Hose Bracket Kit
				ns†	68314-1	1	Hydraulic Unit Cover
Item 2				69494 Nose Plate Bolt Kit			
38		1	1-8 x 9 Hex Cap Screw G8	40		1	1-8 Hex Locknut GB
Item 3				67842-1 Pivot Bar Kit			
4	67855	1	Pivot Bolt Kit	41		1	Pivot Bar
Item 4				67855 Pivot Bolt Kit			
40		1	1-8 Hex Locknut GB	44	67552	1	1-8 x 7 Hex Cap Screw G5
43	67748	1	1-8 Hex Jam Nut G5				
Item 9				49033 1/4 Grade 43 Chain Assembly			
45	91333	2	3/8-16 Hex Locknut GB	47	65508	1	Plastic Tube
46		1	1/4 x 42 Grade 43 Chain	48	90453	1	3/8-16 x 1-1/2 U-Bolt G5
Item 30				67844 Stand Lock Pin Kit			
49		1	Lock Pin	51	67726	1	Spring Lock Pin, Stand
50	67700	1	3/16 x 1-1/4 Roll Pin				
Item 31				42351 Upper Lift Frame Kit			
45	91333	4	3/8-16 Hex Locknut GB	54		4	3/8-16 x 4 Hex Cap Screw G8
53		1	Upper Lift Frame	55		4	Plate – Upper Lift Frame
Item 32				67850-2 Lift Arm Kit			
12	91911K	1	5/32 x 1-1/2 Cotter Pin Kit (pkg of 4)	58		1	Lift Arm
14	91147	3	3/4 Flat Washer	59		2	3/4 x 3-1/4 Clevis Pin
33	68740	1	3/4 x 3-1/2 Clevis Pin Kit	60	91962	2	1/8 Hairpin Cotter
57		2	Round Flat Washer – Special				
Item 36				67843 Pivot Plate Service Kit			
61	67707	1	Pivot Plate A	64	90127	2	5/8-11 x 1-1/2 Hex Cap Screw G5
62	67708	1	Pivot Plate B	65	91337	6	5/8-11 Hex Locknut GB
63	5572	4	5/8-11 x 2 Carriage Bolt G5				
ns = not shown				G = Grade			

† Not used for Central Hydraulics.

MIDWEIGHT™ & PRO-PLOW® Series 2 CENTER ASSEMBLY 74900

Hydraulic Unit Components



MIDWEIGHT™ & PRO-PLOW® Series 2 CENTER ASSEMBLY 74900

42345 Hydraulic Unit							
42348 Hydraulic Unit Service Kit*							
(Not used for Central Hydraulics)							
Item	Part	Qty	Description	Item	Part	Qty	Description
1	21500-1	1	Motor, 4-1/2"	17	49227K-2	1	Valve, 2-Way w/Nut
2	21727-2	1	Breather Pressure Control	18	56662	1	Quill Assembly
3	21726	1	Elbow, Street 90° 3/8 M NPTF/3/8 F NPTF	19	66607	4	10-24 x 5/16 Machine Screw Slotted Hex Washer Head
4**	64596-1	1	Sleeve Bearing & Shaft Seal Kit	20‡	66515	1	Pump Shaft Seal
5	49230K-2	3	Coil w/Spades	21	56274	1	O-Ring – 013
6	49229K-1	1	Cartridge Valve, 4-Way w/Nut	22	90073	5	5/16-18 x 2-1/4 Hex Cap Screw
7	49138K-3	1	Relief Valve Kit (2 sets)	23	56416	1	O-Ring – 014
8	92960	2	Plug, Hex Socket –3 M ORB	24	56789-3	1	Suction Filter
9	25622	1	O-Ring – 006	25	66519	1	O-Ring – 2-250
10	56315	1	Back-Up Ring – 006	26	92079	1	Plug, Square 3/8 NPTF
11	42346	1	Manifold Assembly	27	92095	1	Plug 1/4 NPTF Hex Thread Seal
12	56507	1	Bypass Check Valve Kit	28	21830	1	Reservoir Kit
13	56615-1	3	Elbow, 90° –6 M JIC/–6 M ORB	29	66405	1	Return Screen Assembly
14	49226K	1	Poppet Check Valve Kit	30	21501-1	1	Hydraulic Pump Kit
15	42347	1	Valve Manifold Assembly	31	73897	1	Magnet
16	66608-1	1	Cartridge Valve, 3-Way w/Nut				
O-Ring Service Kits							
–	56657-3	–	O-Ring & Back-Up Ring Kit	–	49259-2	–	Seal Kit, 3-Way & 4-Way Valve
–	49258-2	–	Seal Kit, 2-Way Valve				

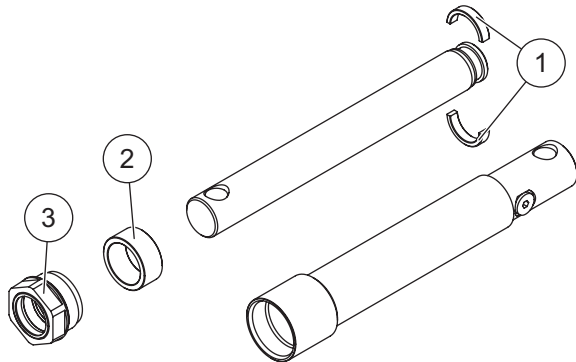
* Includes 42345 Hydraulic Unit and Plow-Side Electrical Components (p. 13).

** Use 64589 tool for bearing sleeve replacement (includes 1 bearing).

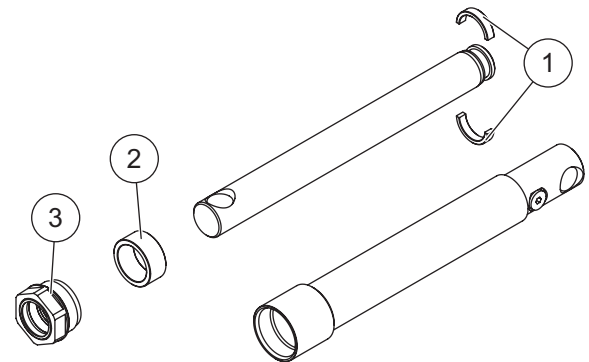
‡ Use 28856 tool for pump shaft seal replacement (includes 1 seal).

MIDWEIGHT™ & PRO-PLOW® Series 2 CENTER ASSEMBLY 74900/74910(CH)

Lift and Angle Ram Components

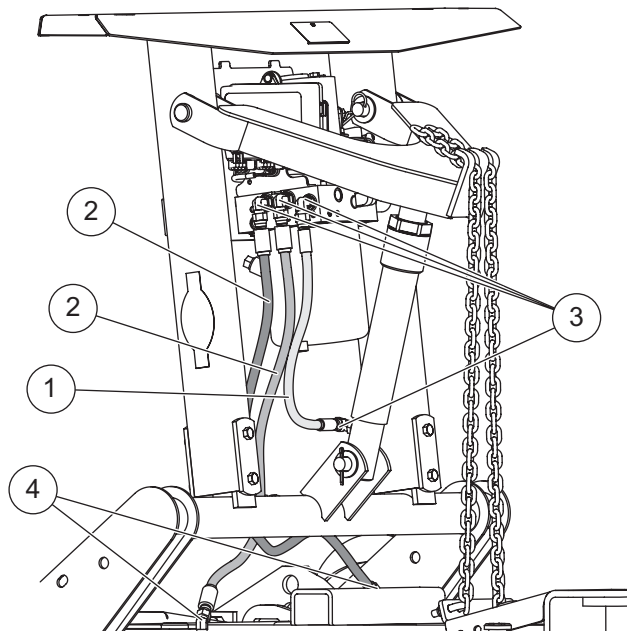


56538K Lift Ram Assembly 1-1/2 x 8			
Item	Part	Qty	Description
1	64650	1	Split Bearing Kit 1-1/2"
2	56537	1	Spacer
3	48985	1	Gland Nut Assembly



64706K Angle Ram Assembly 1-1/2 x 10			
Item	Part	Qty	Description
1	64650	1	Split Bearing Kit 1-1/2"
2	56537	1	Spacer
3	48985	1	Gland Nut Assembly

Hoses and Fittings

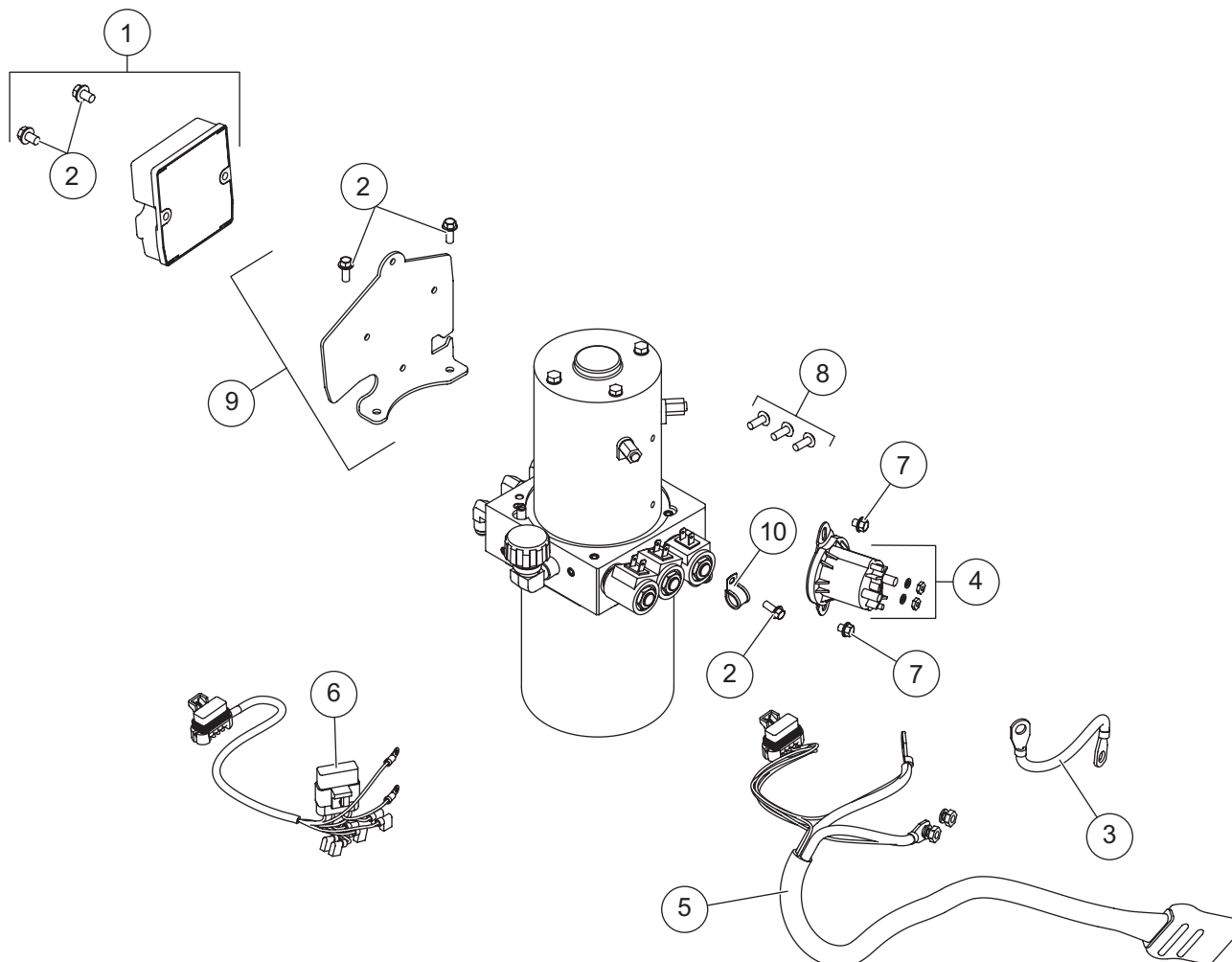


Hoses and Fittings							
Item	Part	Qty	Description	Item	Part	Qty	Description
1†	41094	1	1/4 x 18 w/F JIC Ends	3	56615-1	4	Elbow, 90° -6 M JIC/-6 M ORB
2†	49532	2	3/8 x 36 w/F JIC Ends	4	26694	2	Elbow, 45° -6M JIC/-6 M ORB
F = Female				M = Male or Metric			

† Not used for Central Hydraulics.

MIDWEIGHT™ & PRO-PLOW® Series 2 CENTER ASSEMBLY 74900/74910(CH)

Electrical Components



Plow-Side Electrical Components							
Item	Part	Qty	Description	Item	Part	Qty	Description
1	49567	1	Plow Module, 2-Port	7	29099	2	1/4-20 x 1/4 Hex Washer-Head Thread-Rolling Screw
2	44355	5	1/4-20 x 5/8 Hex Washer-Head Thread-Rolling Screw	8	98043	3	3/8-16 x 1 Button Cap Screw
3	29071	1	Cable Assembly 8"	9	42287	1	Bracket – Plow Module
4	42902	1	Motor Relay Kit FLEET FLEX	10	65340	1	Clamp Loop #10
5	42015	1	Snowplow Battery Cable	ns	61246	1	Cable Boot
76	28581-1	1	Harness Plow Control, 3-Solenoid	ns	56099	1	Dielectric Grease
Vehicle-Side Electrical Components							
* †	42014	1	Vehicle Battery Cable	ns	61548K	1	Plug Cover Kit
* †	28587	1	Vehicle Control Harness				
ns**	26498	1	Vehicle Control Harness – Central Hydraulics				

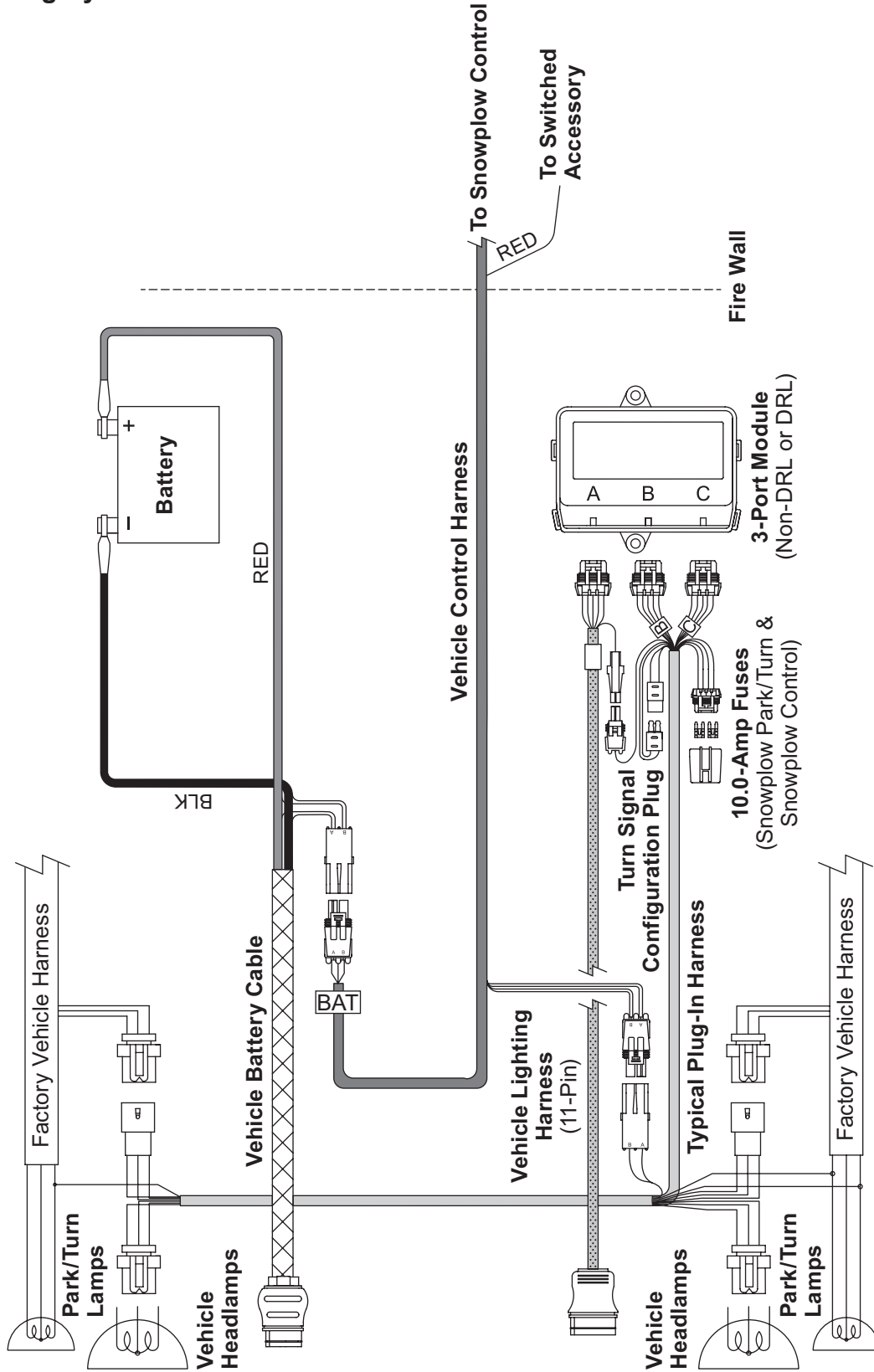
ns = not shown

* For diagram, see Vehicle-Side Harness Diagram.

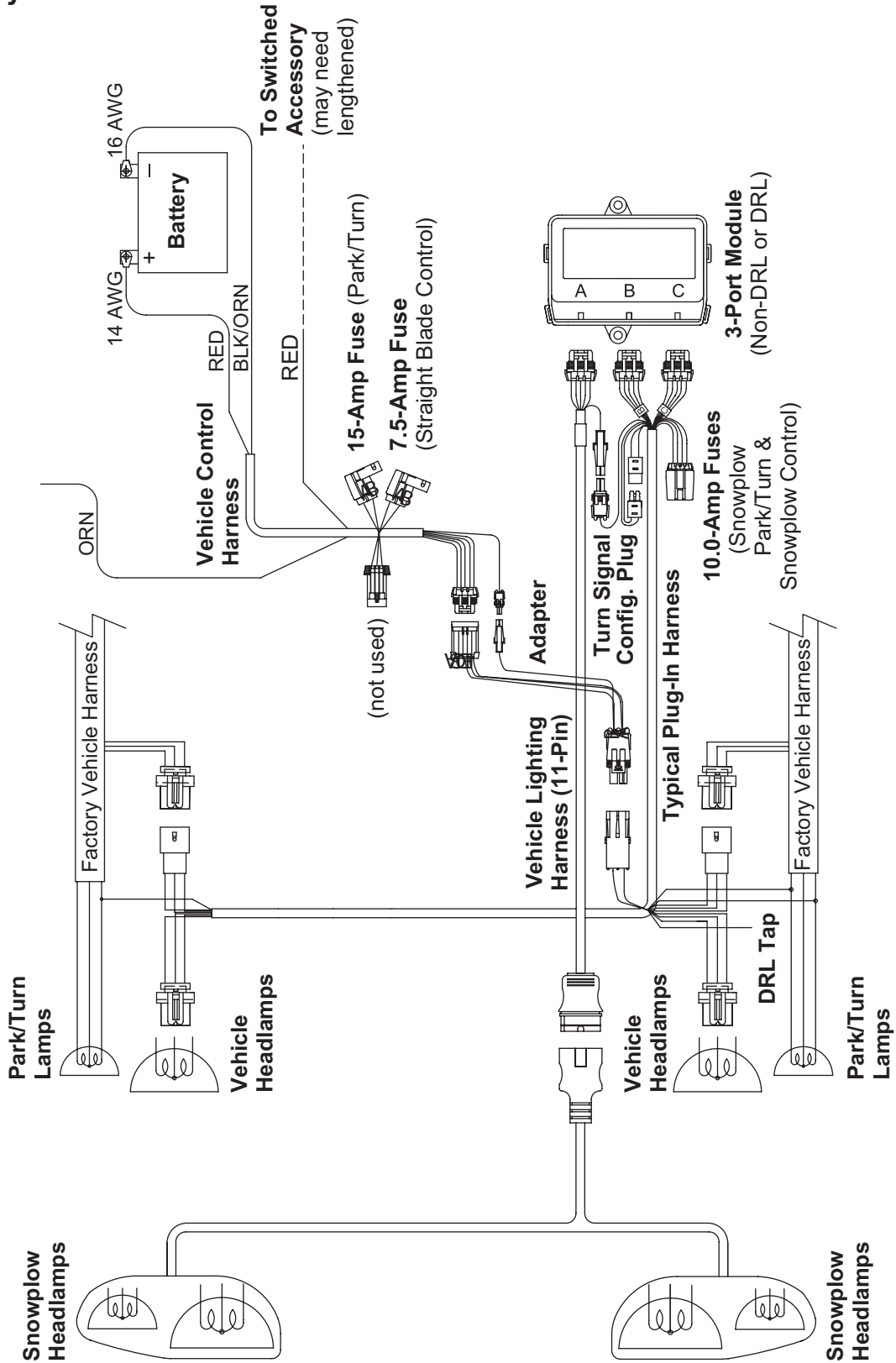
** For diagram, see Vehicle-Side Harness Diagram – Central Hydraulics.

† Not used for Central Hydraulics.

Vehicle-Side Harness Diagram
3-Port, 2-Plug System

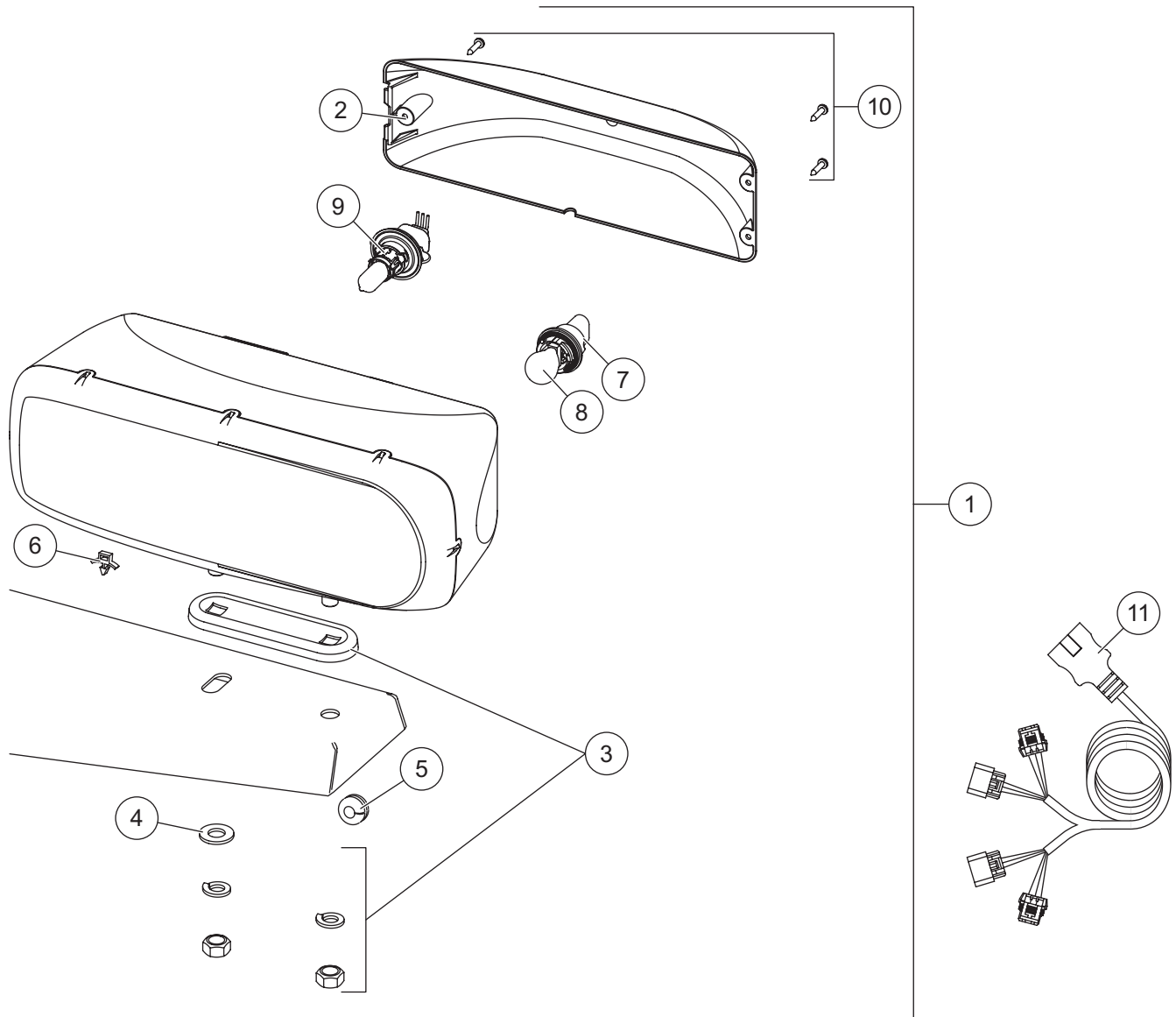


Vehicle-Side Harness Diagram
Central Hydraulics



MIDWEIGHT™ & PRO-PLOW® Series 2 CENTER ASSEMBLY 74900/74910(CH)

Headlamp Kit



28800-1 Headlamp Kit (Pair)

Item	Part	Qty	Description	Item	Part	Qty	Description
1	28801-1	1	Headlamp Service Kit – DS	6	56595	7	Cable Tie Anchor
ns	28802-1	1	Headlamp Service Kit – PS	7	28805	2	Park/Turn Socket Service Kit
2	28803-1	2	Rear Cover Kit (fits 2- or 3-screw)	8		2	Park/Turn Bulb (trade no. 4157NAK)
3	28804	2	Mounting Hardware Kit	9	28806	2	H13 Headlamp Bulb Service Kit
4	4433	2	1/2 Flat Washer Special – Type B, Wide	10	28808-1	2	Cover Screws Service Kit (pkg of 3)
5	66130	2	Rubber Grommet	11	28213W	1	Harness Service Kit

ns = not shown



Western Products
PO Box 245038
Milwaukee, WI 53224-9538
www.westernplows.com

 A DIVISION OF DOUGLAS DYNAMICS, LLC

Copyright © 2014 Douglas Dynamics, LLC. All rights reserved. This material may not be reproduced or copied, in whole or in part, in any printed, mechanical, electronic, film or other distribution and storage media, without the written consent of Western Products. Authorization to photocopy items for internal or personal use by Western Products outlets or snowplow owner is granted.

Western Products reserves the right under its product improvement policy to change construction or design details and furnish equipment when so altered without reference to illustrations or specifications used. Western Products or the vehicle manufacturer may require or recommend optional equipment for snow removal. Do not exceed vehicle ratings with a snowplow. Western Products offers a limited warranty for all snowplows and accessories. See separately printed page for this important information. The following are registered (®) or unregistered (™) trademarks of Douglas Dynamics, LLC: MIDWEIGHT™, POLY PRO-PLOW® Series 2, PRO-PLOW® Series 2, ULTRAFINISH™, UltraMount®, WESTERN®.

Printed in U.S.A.