



Fisher Engineering

29250, 29350, 97000, 97100

50 Gordon Drive, Rockland, Maine 04841-2139 • www.fisherplows.com

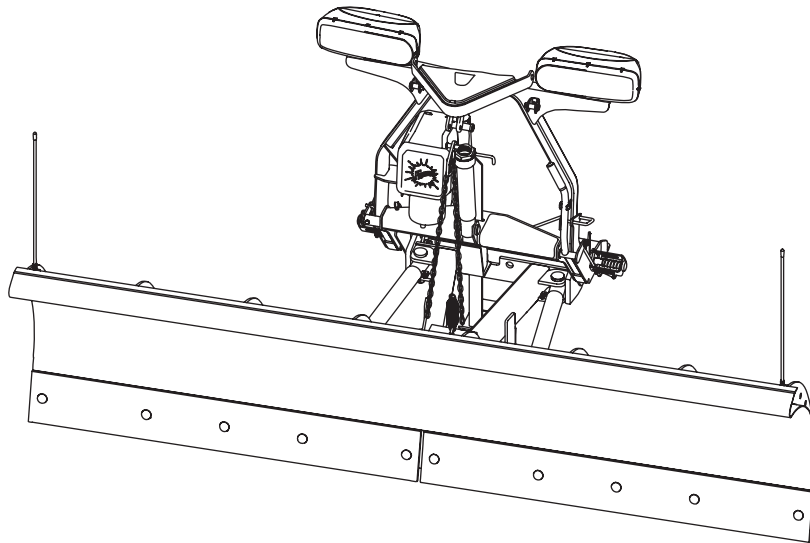
February 1, 2023
Lit. No. 49600, Rev. 10

Minute² **SYSTEM**

Blade and Off-Truck Kit

**MC Series Snowplows
Including Central Hydraulics**

Parts List



MC SERIES BLADE COMPONENTS..... 4

Blade Components 4

A-Frame Components 5

Headgear Components 6

Hydraulic Unit Components 8

Ram Components and Hoses..... 10

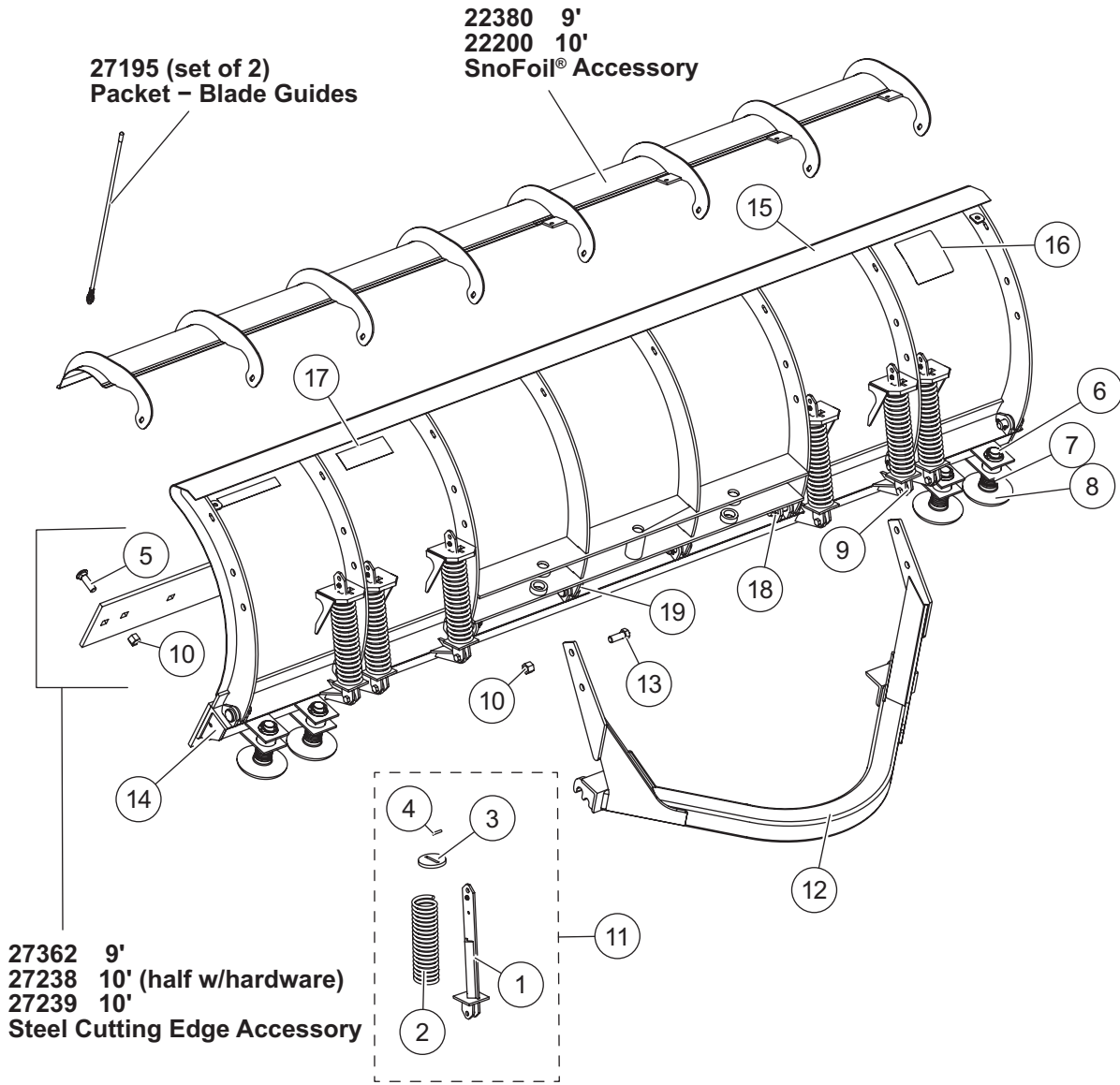
Electrical Components 11

Vehicle-Side Harness Diagram 12

Vehicle-Side Harness Diagram, Central Hydraulics..... 13

Headlamp Kit 14

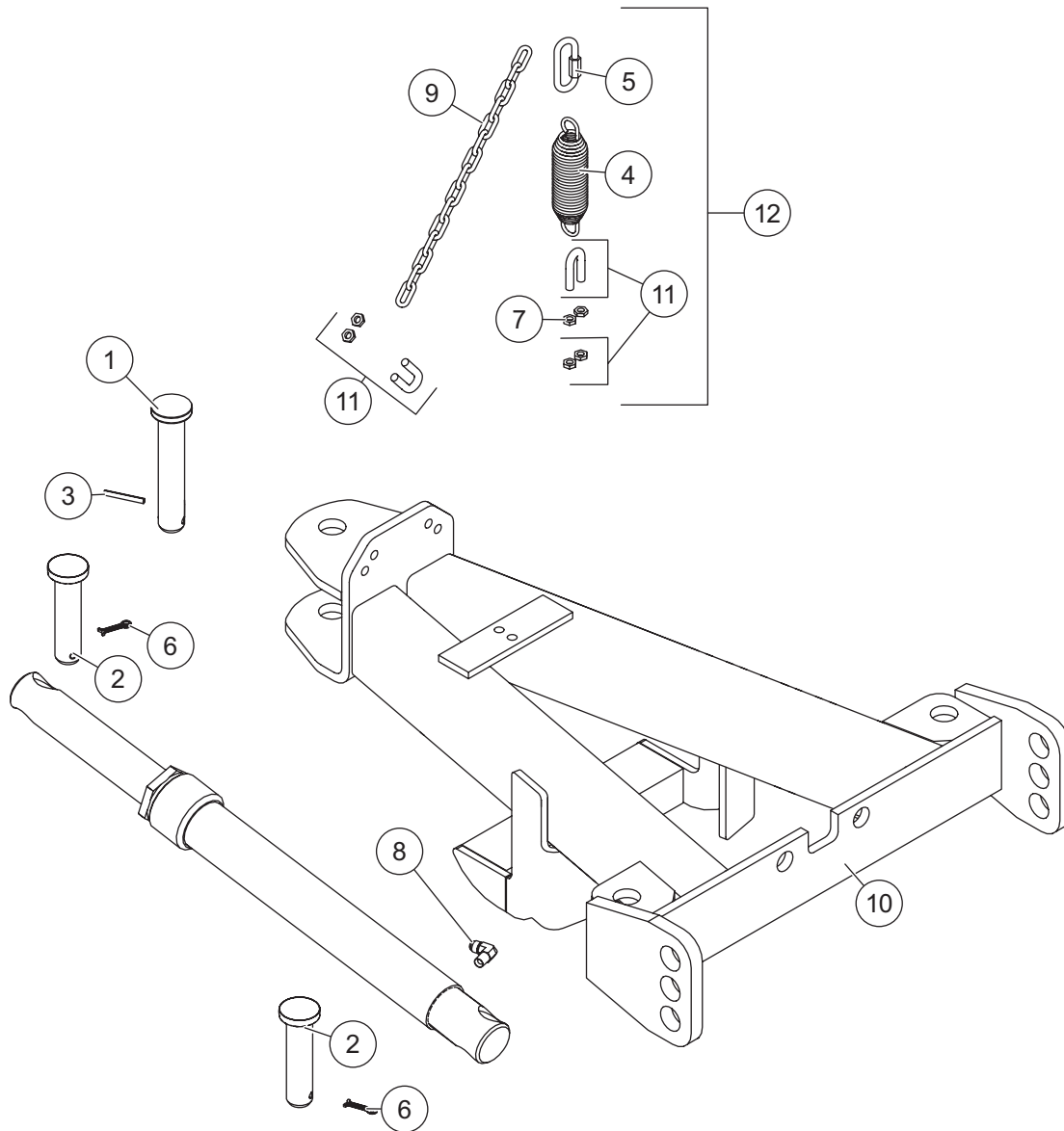
Blade Components



Headgear Components

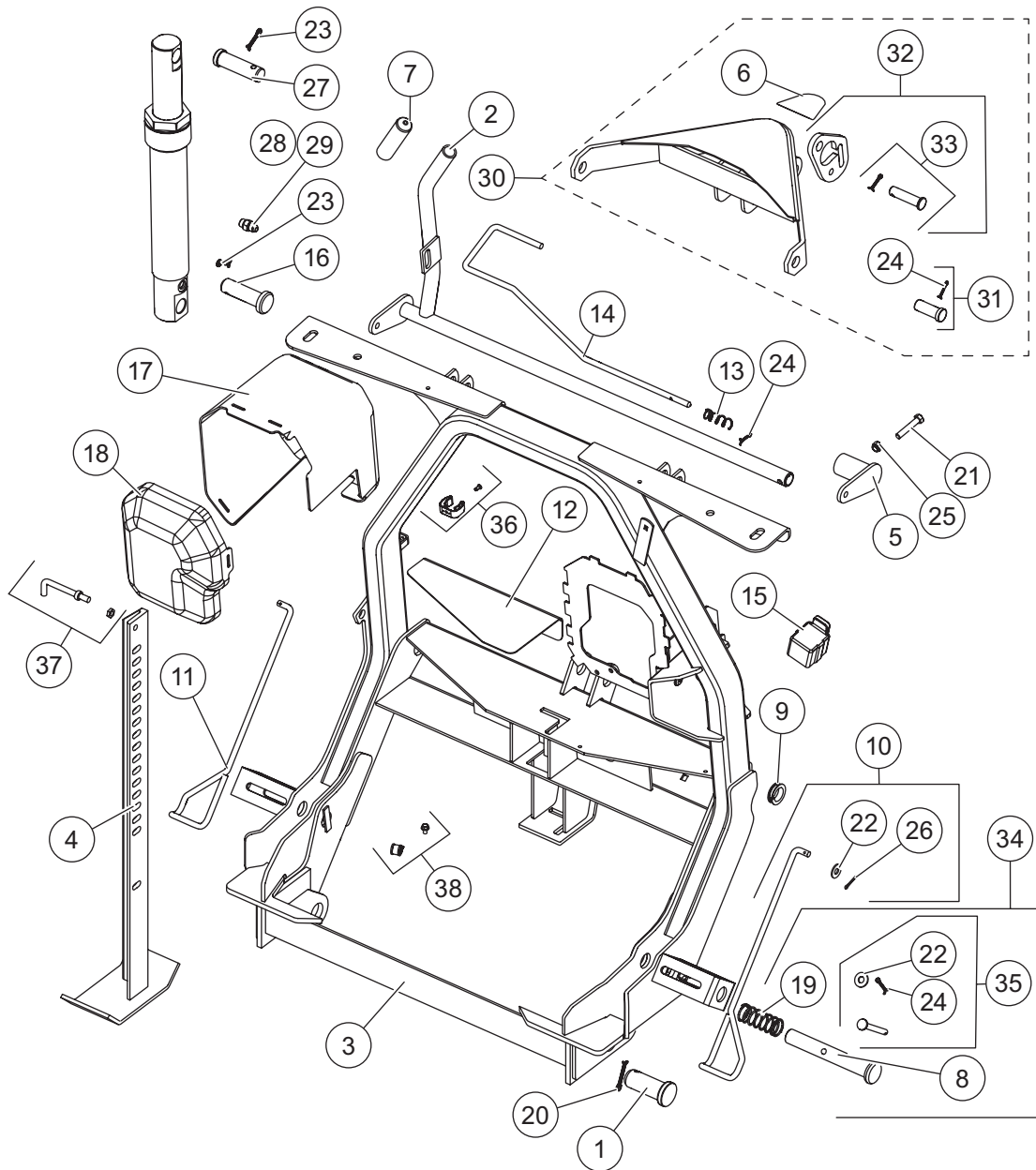
Item	Part	Qty	Description	Item	Part	Qty	Description
1	21450	4	Removable Spring Bar	12	28639	1	Angle Frame
2	5323	4	Trip Spring	13	90286	4	3/4-10 x 2 Hex Cap Screw G5
3	20191	4	Removable Spring Disc	14	26949	1	Base Angle, 9' Blade
4	20181	4	1/4 x 1-1/4 Pin	15	26950	1	Base Angle, 10' Blade
5	98034	15	3/4-10 x 2 Carriage Bolt G5	16	20238	1	Label - Logo, FISHER® Splatter
6	308K	2	Shoe Pin Packet	17	59900	1	Label - Warning/Caution, Snowplow
7	7902K	2	Shoe Spacer Packet	18	26211	1	Label - Logo, STORM GUARD™
8	26523	2	Shoe Assembly Solid Cast	19	7903K	2	1 x 4 Anchor Pin w/ Cotter
9	40905	4	Shoulder Bolt w/ Locknut	ns	27241	6	1 x 2-3/4 Clevis Pin w/ Cotter
10	90645	15	3/4-10 Hex Locknut	ns	26490	1	Steel Deflector Accessory
11	21452	4	Removable Spring Assembly	ns	22390	1	Rubber Deflector Accessory
ns = not shown				G = Grade			

A-Frame Components



A-Frame Components							
Item	Part	Qty	Description	Item	Part	Qty	Description
1	20789	1	1-1/4 x 6-3/4 Pivot Pin	7	91413	2	3/8-16 Hex Nut G5
2	20790	4	Commercial Ram Pin	8	95604	2	Elbow, 90° -6 M JIC/1/4 M NPTF
3	90013	1	1/4 x 2 Cotter Pin	9	28351-1	1	3/8 Grade 30 Proof Chain Bag – MC
4	27074	1	Spring	10	27850	1	A-Frame
5	68616	1	Quick Link	11	A6148K	3	U-Bolt Assembly Packet
6	90601	4	1/4 x 1-1/2 Cotter Pin	12	42423	1	Spring / U-Bolt / Link Kit
M = Male				G = Grade			

Headgear Components

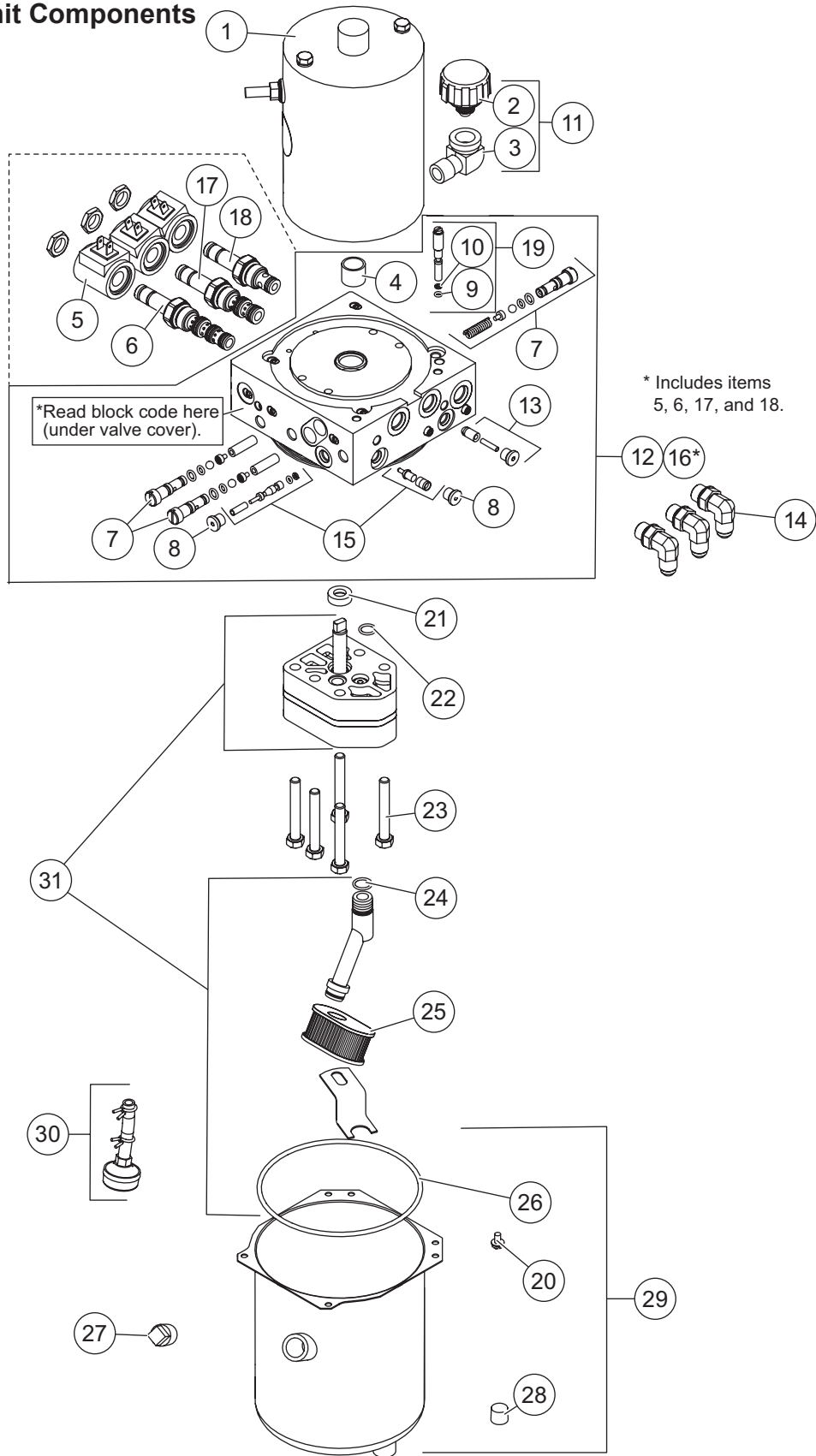


Headgear Components							
Item	Part	Qty	Description	Item	Part	Qty	Description
1	26164	2	1-1/4 x 3-1/16 Pin	21	90043	1	3/8-16 x 2 Hex Cap Screw G5
2	27468	1	Handle – Link Arm Assembly	22	90315	4	3/8 Flat Washer Type A, Wide
3	49527	1	Headgear	23	90601	5	1/4 x 1-1/2 Cotter Pin
4	26172	1	Jack, MC	24	90658	5	5/32 x 1-1/4 Cotter Pin
5	27465	1	Link Arm	25	91333	1	3/8-16 Hex Locknut GB
6	26777	1	Nameplate, Minute Mount® 2	26	91902	2	1/8 x 1 Cotter Pin
7	27535	1	Handle Cover Kit	27	95720	1	1 x 3.313 Clevis Pin HT
8	26833	2	1 x 6-15/16 Clevis Pin	28	49526	1	Connector, Short –6 M JIC/–6 M ORB
9	27163K	2	Snap-In Bushing Kit (2 bushings)	29 [†]	56725	1	Elbow, 90° –6 M JIC/–6 M ORB
10	27167K	1	Wire Cam Kit – PS	30 [‡]	28350-2	1	Lift Arm Kit – MC, Yellow
11	27166K	1	Wire Cam Kit – DS	31	4289K	2	3/4 x 1-7/8 Machine Pin Packet
12	27451	1	Label – Attach/Detach, Minute Mount 2	32	28991	1	Stop Link Kit
13	27461	1	3/4 x 3-1/2 Compression Spring	33	29037	1	5/8 x 2-5/8 Clevis Pin w/Cotter
14	27478	1	Jack Lock	34	27168K	2	Connecting Pin Kit
15	8284K	1	Cable Boot	35	26219	2	Clevis Pin Kit
16	6814	1	1 x 3-5/16 Clevis Pin	36	27162K-1	1	Stop Clip Kit
17 [†]	68312-1	1	Front Cover	37	27164K	1	Handle Kit
18 [†]	68313-1	1	Rear Cover	38 [†]	49522	2	Clamp Loop Kit
19	821	2	1 x 3-1/2 Compression Spring	ns	69689 [†]	1	Label – Logo, SECURITY GUARD™
20	90013	2	1/4 x 2 Cotter Pin				
HT = Heat Treated		ns = not shown		M = Male		G = Grade	

[†] Not used for central hydraulics.

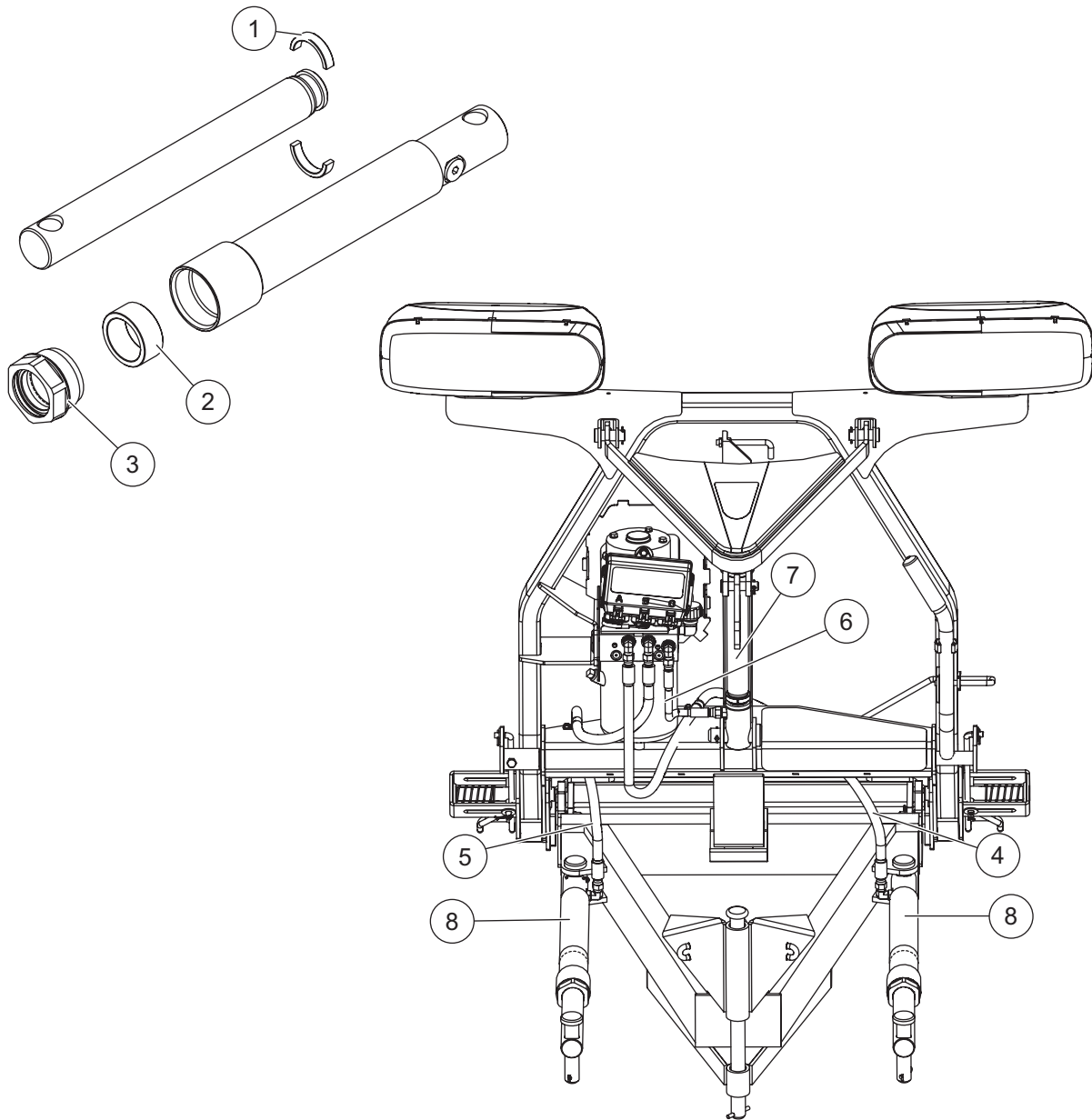
[‡] Central hydraulics only.

Hydraulic Unit Components



Hydraulic Unit							
Item	Part	Qty	Description	Item	Part	Qty	Description
1	21500K-1	1	Motor, 4-1/2	19	56662	1	Quill Assembly
2	21727-2	1	Breather Pressure Control, Gray	20	66607	4	#10-24 x 5-16 Slotted Hex Washer-Head Machine Screw
3	21726	1	Elbow, Street 90° 3/8 M NPTF/ 3/8 F NPTF	21	66515	1	Pump Shaft Seal
4	64596-1	1	Sleeve Bearing & Shaft Seal Kit	22	56274	1	O-Ring -013
5	7639K-2	3	Coil w/Spades	23	90073	5	5/16-18 x 2-1/4 Hex Cap Screw G5
6	7637K-1	1	Cartridge Valve 4-Way w/Nut	24	56416	1	O-Ring -014
7	7629K-3	1	Relief Valve Kit (2 sets)	25	26781-3	1	Suction Filter
8	92960	2	Plug, Hex Socket -3 M ORB	26	66519	1	O-Ring -2-250
9	25622	1	O-Ring -006	27	92079	1	Plug, Square 3/8 NPTF
10	56315	1	Back-Up Ring -006	28	92095	1	Plug, Hex Socket 1/4 NPTF w/Thread Sealant
11	22344K	1	Elbow, Street 90° 3/8 NPTF w/Breather	29	21830	1	Reservoir Kit
12	42292	1	Valve Manifold	30	66405	1	Return Screen Assembly
13	56507	1	Bypass Check Valve Kit	31	21501K-1	1	Hydraulic Pump Kit
14	77929	3	Elbow, 90° -6 M JIC/-6 M ORB w/Screen	ns	7632K-3	1	O-Ring & Back-Up Ring Kit
15	7630K	2	Poppet Check Valve Kit	ns	49258-2	1	Seal Kit 2-Way Valve
16	42294	1	Valve Manifold Assembly	ns	49259-2	1	Seal Kit 3-Way and 4-Way Valve
17	66608K-1	1	Cartridge Valve 3-Way w/Nut	ns	73897	1	Magnet
18	7634K-2	1	Valve 2-Way w/Nut				
ns = not shown		F = Female		M = Male		G = Grade	

Hoses and Fittings



Hoses and Fittings							
Item	Part	Qty	Description	Item	Part	Qty	Description
1	64151	1	Split Bearing Kit	5†	49501	1	Hose, 3/8 x 36 w/F JIC Ends
2	56733	1	Spacer	6†	56832	1	Hose, 1/4 x 8 w/F JIC Ends
3	56734	1	Gland Nut Assembly	7‡	56740	1	2 x 10 Ram Assembly
4†	44348	1	Hose, 3/8 x 42 w/F JIC Ends	8§	A5166K	1	2 x 16 Ram Assembly

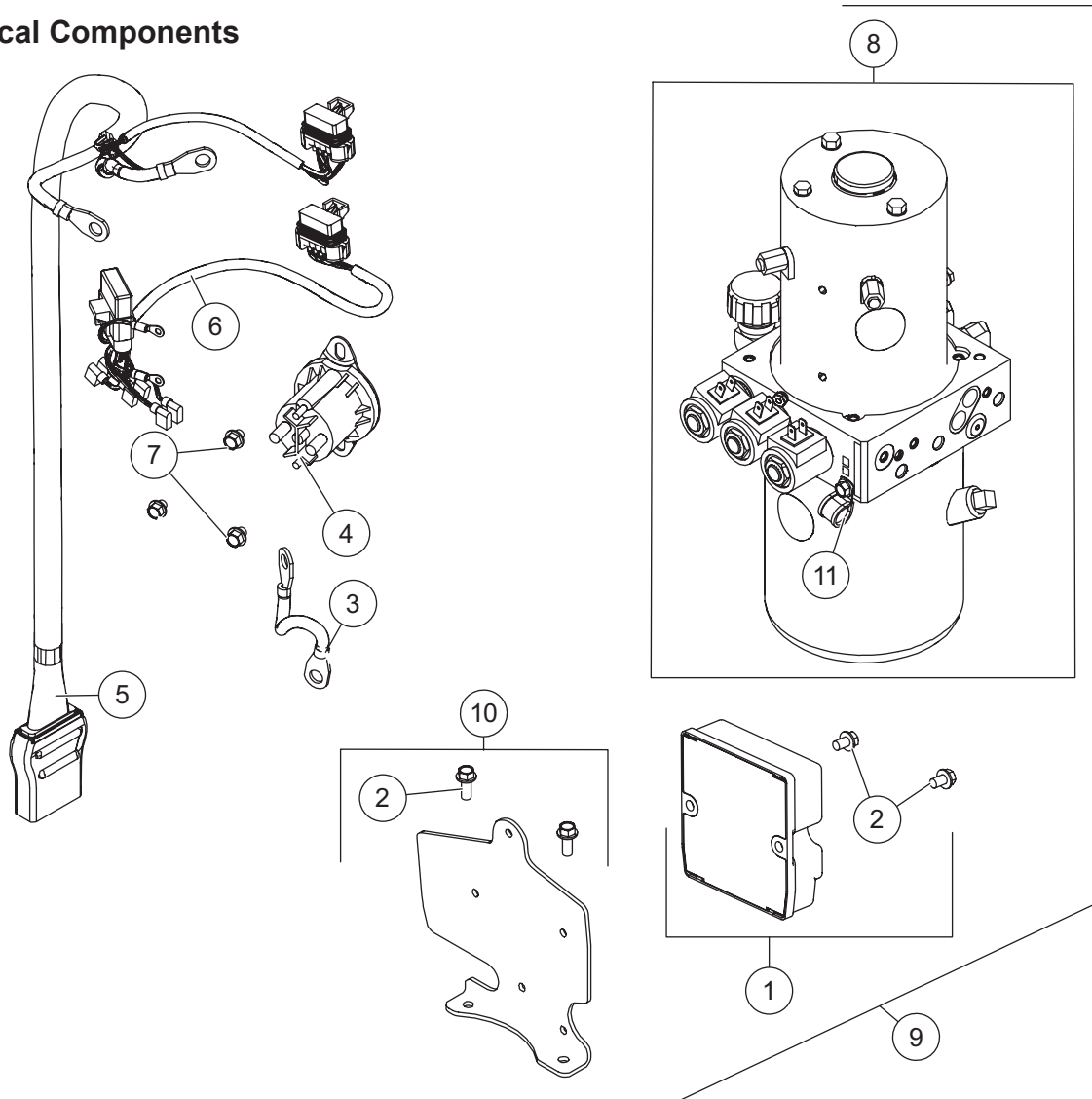
F = Female

† Not used for central hydraulics.

‡ 2 x 10 Ram Assembly uses Gland Nut Assembly 56734 and Seal Kit 64153.

§ 2 x 16 Ram Assembly uses Packing Nut 25948 and Packing Set 3623 and Wiper 55210.

Electrical Components



Plow-Side Electrical Components							
Item	Part	Qty	Description	Item	Part	Qty	Description
1	49567	1	Plow Module, 2-Port	7	29099	2	1/4-20 x 1/4 Hex Washer-Head Thread-Rolling Screw
2	44355	4	1/4-20 x 5/8 Hex Washer-Head Thread-Rolling Screw	8	42295	1	Hydraulic Unit 2500 psi
3	29071	1	Cable Assembly 8"	9	42290	1	Hydraulic Unit Service Kit 2500 psi
4	42901	1	Motor Relay Kit FLEET FLEX System	10	42287	1	Bracket – Plow Module
5	42015	1	Snowplow Battery Cable	11	49522	1	Clamp Loop Kit
6	28581-1	1	Plow Control Harness, 3-Solenoid				
Vehicle-Side Electrical Components							
‡	42014†	1	Vehicle Battery Cable	ns	98043	3	3/8-16 x 1 Button Cap Screw
‡	28587†	1	Vehicle Control Harness	ns	26498	1	Vehicle Control Harness – Central Hydraulics*
ns	61548K	1	Plug Cover				

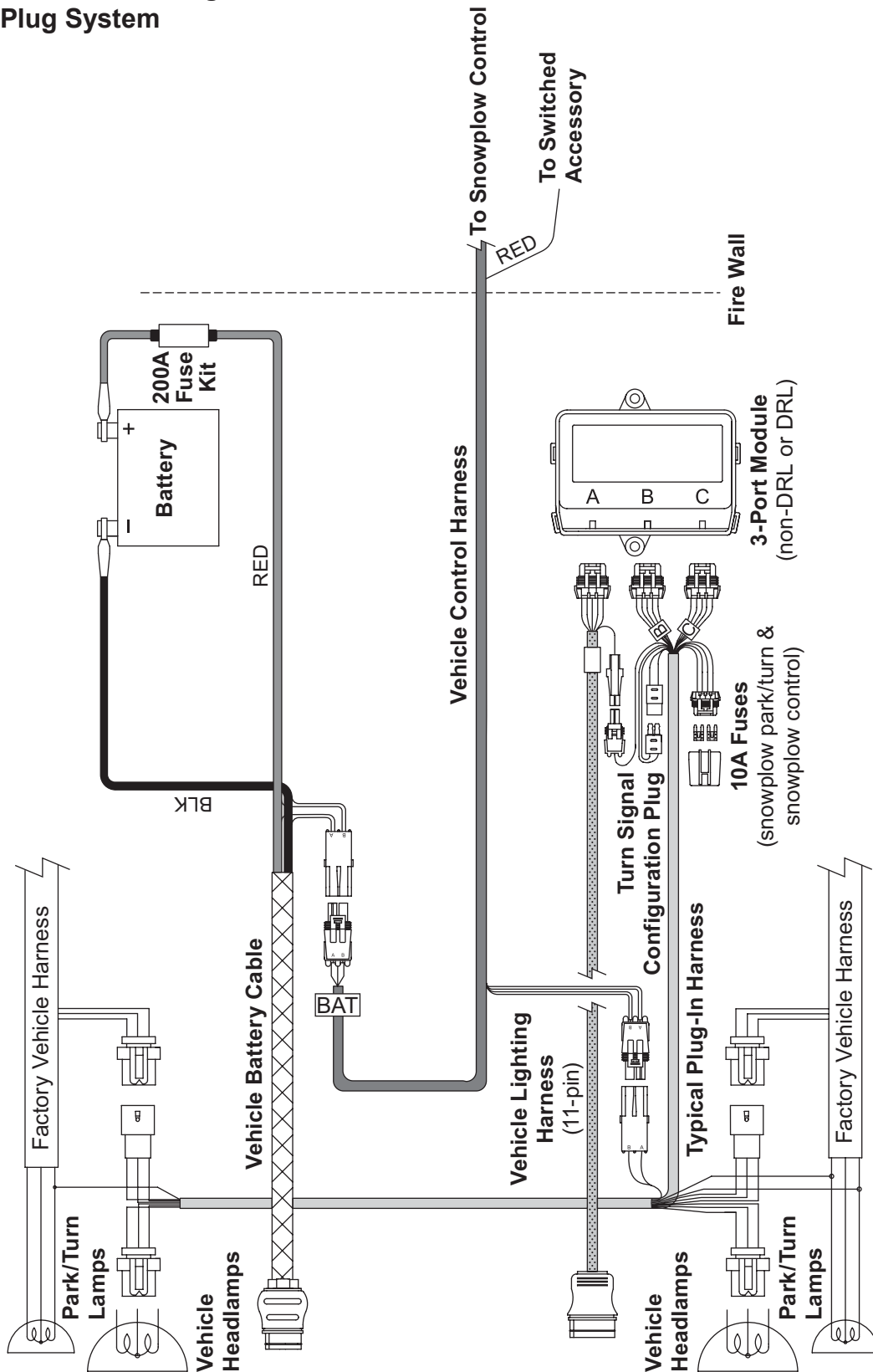
ns = not shown

‡ For diagram see Vehicle-Side Harness Diagram.

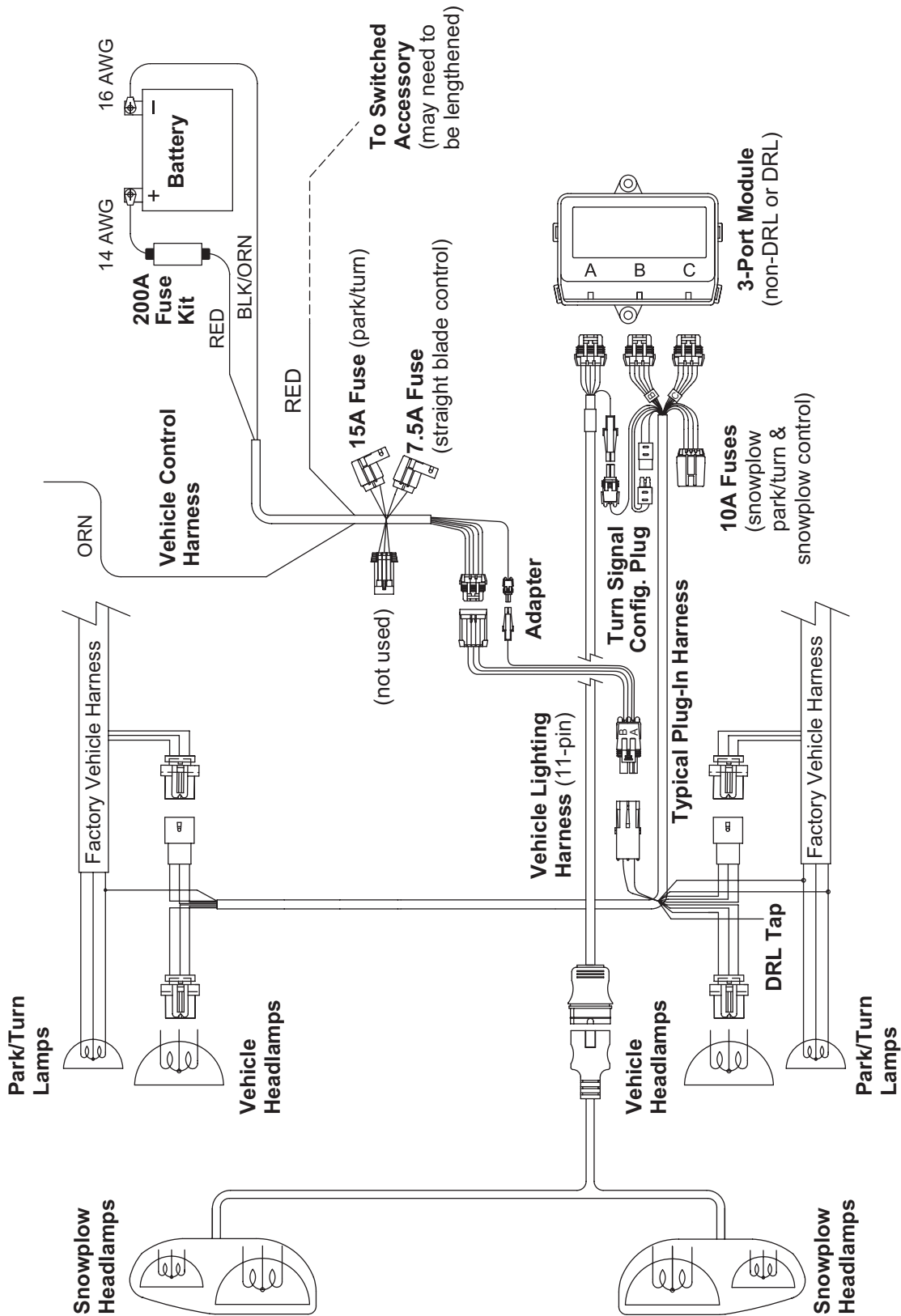
* For diagram, see Vehicle-Side Harness Diagram – Central Hydraulics.

† Not used for central hydraulics.

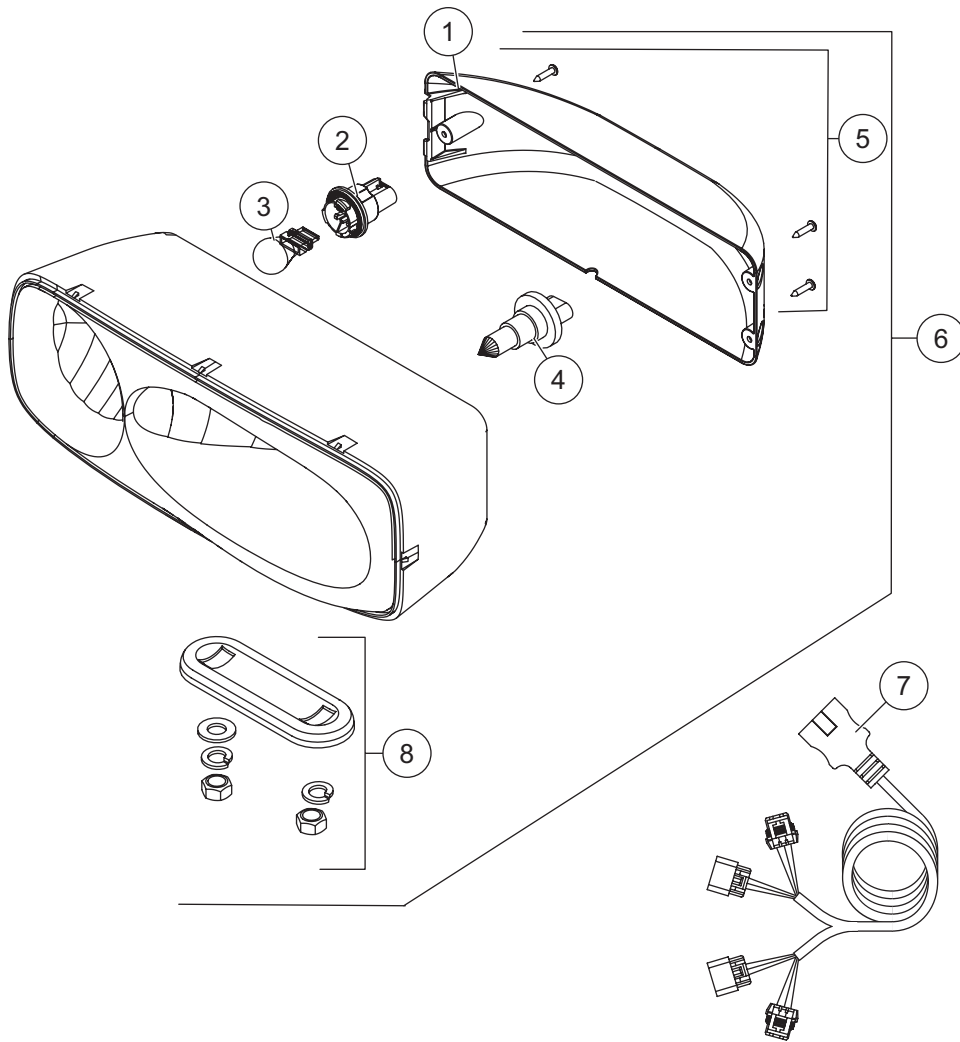
Vehicle-Side Harness Diagram
3-Port, 2-Plug System



**Vehicle-Side Harness Diagram
Central Hydraulics**



Headlamp Kit



28800-1 Headlamp Kit (pair)							
Item	Part	Qty	Description	Item	Part	Qty	Description
1	28803-1	2	Rear Cover Kit (fits 2- or 3-screw)	6	28802-1	1	Headlamp Service Kit – PS
2	28805	2	Park/Turn Socket Service Kit	ns	28801-1	1	Headlamp Service Kit – DS
3		2	Park/Turn Bulb (trade no. 4157NAK)	7	28213K	1	Harness Service Kit
4	28806	2	Headlamp Bulb Service Kit H13	8	28804	2	Mounting Hardware Kit
5	28808-1	2	Cover Screws Service Kit (pkg of 3)				

ns = not shown



Fisher Engineering
50 Gordon Drive
Rockland, ME 04841-2139
www.fisherplows.com

A DIVISION OF FISHER, LLC

Copyright © 2023 Douglas Dynamics, LLC. All rights reserved. This material may not be reproduced or copied, in whole or in part, in any printed, mechanical, electronic, film, or other distribution and storage media, without the written consent of Fisher Engineering. Authorization to photocopy items for internal or personal use by Fisher Engineering outlets or snowplow owner is granted.

Fisher Engineering reserves the right under its product improvement policy to change construction or design details and furnish equipment when so altered without reference to illustrations or specifications used. Fisher Engineering or the vehicle manufacturer may require or recommend optional equipment for snow removal. Do not exceed vehicle ratings with a snowplow. Fisher Engineering offers a limited warranty for all snowplows and accessories. See separately printed page for this important information. The following are registered (®) or unregistered (™) trademarks of Douglas Dynamics, LLC: FISHER®, Minute Mount® 2, SECURITY GUARD™, STORM GUARD™.

Printed in U.S.A.