



**John Deere Specific**  
**HD UTV Straight Blade & V-Plow**  
**Parts List and Accessories**

**Blade Models:**

**72" IMPACT Straight Blade Assembly #87540**  
**72" IMPACT V-Plow Assembly #87545**

**Vehicle Model:**

**XUV835/865 Winch Harness Integration**      **2017-\_\_**





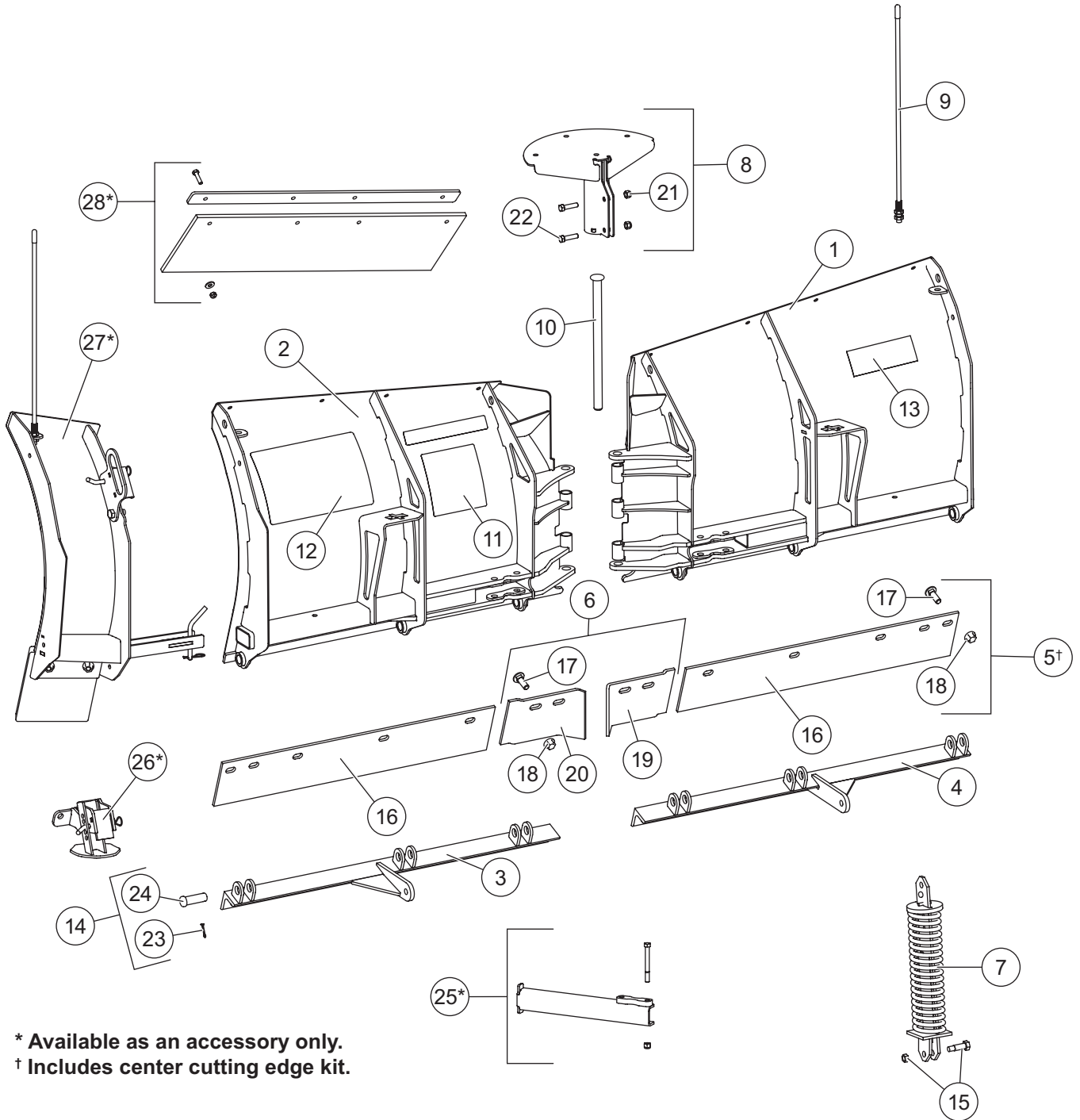
# TABLE OF CONTENTS

---

<b>IMPACT™ HD UTV V-PLOW BLADE ASSEMBLY .....</b>	<b>4</b>
<b>IMPACT HD UTV STRAIGHT BLADE ASSEMBLY .....</b>	<b>6</b>
<b>IMPACT HD UTV V-PLOW HEADGEAR AND T-FRAME ASSEMBLY .....</b>	<b>8</b>
<b>IMPACT HD UTV STRAIGHT BLADE HEADGEAR AND A-FRAME ASSEMBLY .....</b>	<b>10</b>
<b>HYDRAULIC COMPONENTS.....</b>	<b>12</b>
Hydraulic Unit – IMPACT UTV V-Plow.....	12
Hydraulic Unit – IMPACT HD UTV Straight Blade.....	14
Lift and Angle Rams – IMPACT HD UTV V-Plow.....	16
Hoses and Fittings – IMPACT HD UTV V-Plow.....	17
Lift and Angle Rams – IMPACT HD UTV Straight Blade.....	18
Hoses and Fittings – IMPACT HD UTV Straight Blade .....	18
<b>VEHICLE-SIDE HARNESS.....</b>	<b>19</b>

# IMPACT™ HD UTV V-PLOW BLADE 74360

## Blade Components and Accessories



\* Available as an accessory only.  
† Includes center cutting edge kit.

# IMPACT™ HD UTV V-PLOW BLADE 74360

<b>IMPACT Blade Components</b>							
<b>Item</b>	<b>Part</b>	<b>Qty</b>	<b>Description</b>	<b>Item</b>	<b>Part</b>	<b>Qty</b>	<b>Description</b>
1	83611	1	Blade, PS (incl. base angle, trip spring, and labels)	9	27195W	1	Blade Guides
2	83610	1	Blade, DS (incl. base angle, trip spring, and labels)	10	51702	1	3/4 x 12-5/8 Pin
3	83612	1	Base Angle, DS	11	84847	1	Label – Warning/Caution, Snowplow
4	83613	1	Base Angle, PS	12	88335	1	Label – Attach/Detach, UTV
5†	84827	1	Cutting Edge Kit w/Fasteners	13	28404	1	Label – Logo, ULTRAFINISH™
6	83639	1	Center Cutting Edge Kit w/Hardware	14	84844	6	3/4 x 2-3/16 Pin Kit
7	21452	2	Removable Spring Assembly	15	83624	1	Shoulder Bolt w/Locknut Kit
8	83626	1	Snow Control Kit	ns	69489	1	Label – Logo, WESTERN®
				ns	84771	1	Label – Logo, IMPACT
				ns	85191	1	Blade Label Kit
<b>Item 5† 84827 Cutting Edge Kit w/Fasteners</b>							
6	83639	1	Center Cutting Edge Kit w/Hardware	17		10	1/2-13 x 1-1/2 Carriage Bolt G8
16	84828	2	1/4 Cutting Edge	18		10	1/2-13 Flanged Locknut
<b>Item 6 83639 Center Cutting Edge Kit w/Hardware</b>							
17		4	1/2-13 x 1-1/2 Carriage Bolt G8	19	84323	1	Center Cutting Edge, UTV – PS
18		4	1/2-13 Flanged Locknut	20	84325	1	Center Cutting Edge, UTV – DS
<b>Item 8 83626 Snow Control Kit</b>							
		1	Snow Control	22		2	3/8-16 x 1-1/2 Hex Cap Screw
21		2	3/8-16 Hex Locknut GB				
<b>Item 14 84844 3/4 x 2-3/16 Pin Kit</b>							
23		1	5/32 x 1-1/4 Cotter Pin	24		1	3/4 x 2-3/16 Pin
<b>Item 15 83624 Shoulder Bolt w/Locknut Kit</b>							
		1	7/16-14 x 1-5/8 Hex Shoulder Bolt			1	7/16-14 Hex Locknut GB
<b>85191 Blade Label Kit</b>							
11	84847	1	Label – Warning/Caution, Snowplow	ns	69489	1	Label – Logo, WESTERN
12	88335	1	Label – Attach/Detach, UTV	ns	84771	1	Label – Logo, IMPACT
13	28404	1	Label – Logo, ULTRAFINISH™				
ns = not shown				G = Grade			

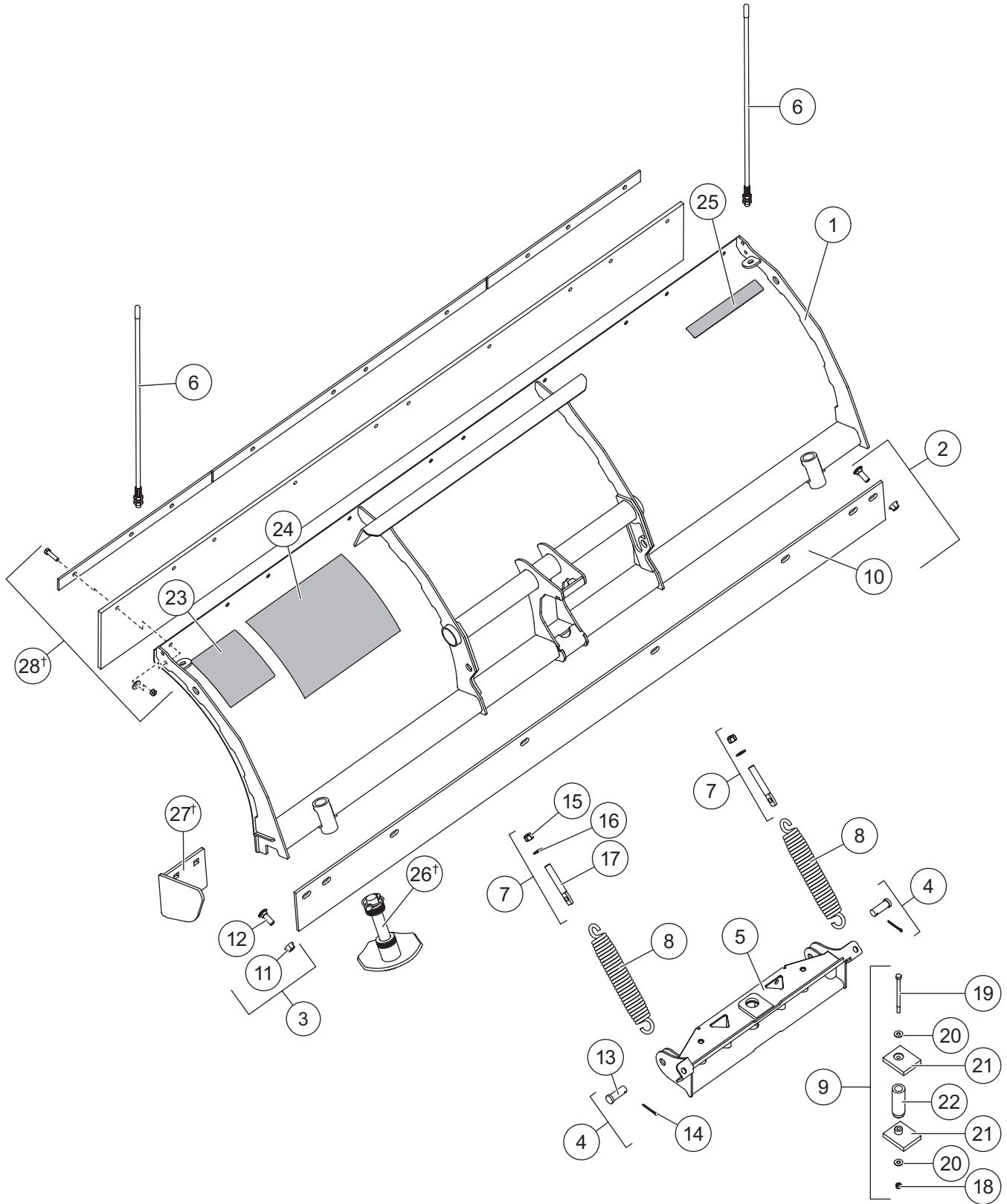
† Includes center cutting edge kit.

<b>IMPACT Blade Accessories</b>							
<b>Item</b>	<b>Part</b>	<b>Qty</b>	<b>Description</b>	<b>Item</b>	<b>Part</b>	<b>Qty</b>	<b>Description</b>
25*	83616	1	Blade Stop Kit (pair)	27*	52657	1	Accessory Wing Kit (pair)
26*	52656	1	Accessory Shoe Kit (pair)	28*	52655	1	Deflector Kit (pair)

\* Accessory only.

# IMPACT™ HD UTV STRAIGHT BLADE 84930

## Blade Components and Accessories



† Accessory only.

# IMPACT™ HD UTV STRAIGHT BLADE 84930

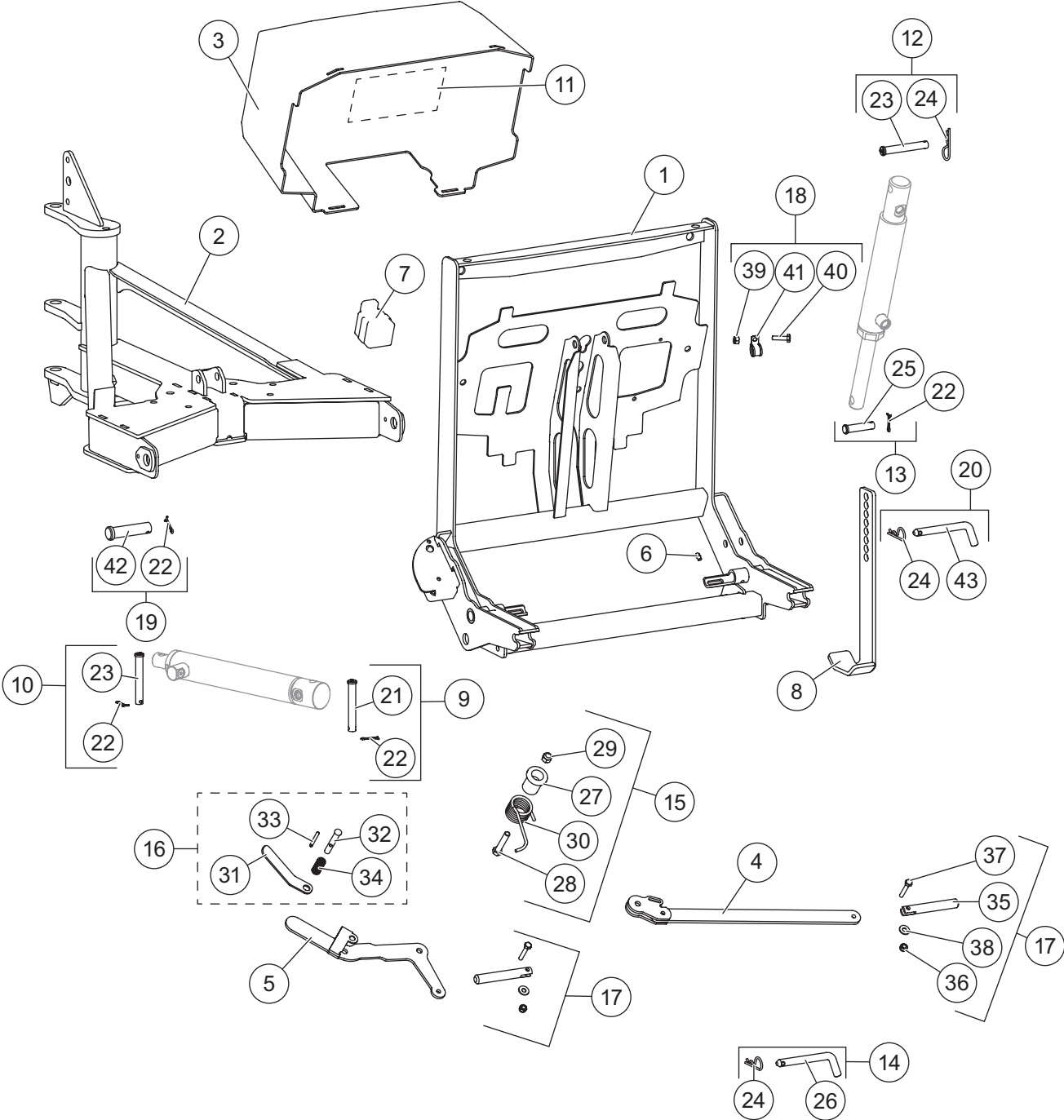
<b>84930 IMPACT HD UTV Straight Blade Components</b>							
Item	Part	Qty	Description	Item	Part	Qty	Description
1	85188	1	UTV Straight Blade with Labels	6	27195W	1	Blade Guide Kit
2	84973	1	1/4 Steel Cutting Edge Kit	7	84702	2	Eyebolt Kit
3	84977	1	Cutting Edge Bolt Bag	8	B61167	2	Trip Spring
4	84631	2	3/4 x 2 Clevis Pin Kit with Cotter	9	84629	1	Center Pivot Bolt Kit
5	84573	1	Quadrant	ns	85191	1	Blade Label Kit
<b>Item 2</b>				<b>84973 1/4 Steel Cutting Edge Kit</b>			
3	84977	1	Cutting Edge Bolt Bag	10	84974	1	1/4 Steel Cutting Edge
<b>Item 3</b>				<b>84977 Cutting Edge Bolt Bag</b>			
11		8	1/2-13 Hex Locknut GB	12		8	1/2-13 x 1-1/2 Carriage Bolt G8
<b>Item 4</b>				<b>84631 3/4 x 2 Clevis Pin Kit with Cotter</b>			
13		2	3/4 x 2 Clevis Pin	14		2	5/32 x 1-1/2 Cotter Pin
<b>Item 7</b>				<b>84702 Eyebolt Kit</b>			
15		1	5/8-11 Hex Locknut GB	17		1	5/8-11 x 4 Eyebolt
16		1	5/8 Hardened Flat Washer				
<b>Item 9</b>				<b>84629 Center Pivot Bolt Kit</b>			
18		1	5/16-18 Hex Locknut GB	21	27615	2	Bumper, Personal Plow
19		1	5/16-18 x 5 Hex Cap Screw G5	22		1	Pivot Tube
20		2	5/16 Flat Washer Type A				
				<b>85191 Blade Label Kit</b>			
23	84847	1	Label – Warning/Caution, UTV	ns	69489	1	Label – Logo, WESTERN®
24	88335	1	Label – Attach/Detach, UTV	ns	84771	1	Label – Logo, IMPACT
25	28404	1	Label – Logo, ULTRAFINISH™				
ns = not shown				G = Grade			

<b>IMPACT Blade Accessories</b>							
Item	Part	Qty	Description	Item	Part	Qty	Description
26†	84988	1	Shoe Assembly Kit	28†	84986	1	Rubber Deflector Kit
27†	84989	1	Curb Guard Kit				

† Accessory only.

# IMPACT™ HD UTV V-PLOW HEADGEAR AND T-FRAME ASSEMBLY

## Headgear and T-Frame Components

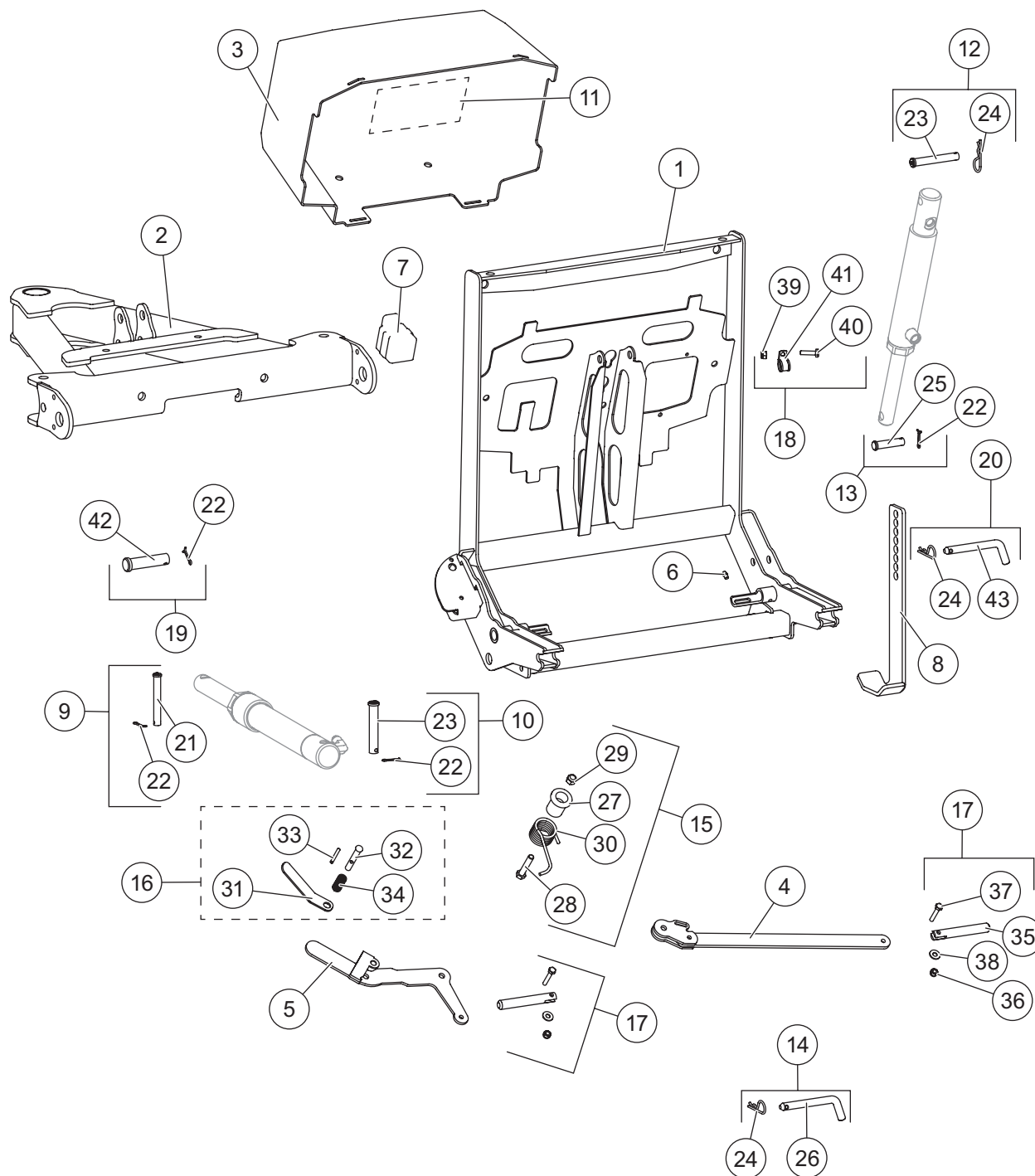


# IMPACT™ HD UTV V-PLOW HEADGEAR AND T-FRAME ASSEMBLY

IMPACT Headgear and T-Frame Components							
Item	Part	Qty	Description	Item	Part	Qty	Description
1	84361	1	Headgear	11	43862	1	Label – Information, Hydraulic
2	83628	1	T-Frame	12	85199	1	Lift Ram Base Pin Kit
3	84843	1	Hydraulic Cover (incl. item 11)	13	84627	1	Lift Ram Rod Pin Kit
4	83635	1	Link	14	84610	2	Receiver Pin Kit
5	83634	1	Handle	15	83636	1	Torsion Spring/Spacer Kit
6	84616	1	Grease Zerk (pkg of 3)	16	83633	1	Attach Handle Release Cam Kit
7	61246	1	Cable Boot	17	84602	2	Hitch Pin Kit
8	84846	1	Stand	18	84778	1	Power Cable Clamp Loop Kit
9	83629	2	Angle Ram Base Pin Kit	19	83630	1	T-Frame Pin Kit
10	85198	2	Angle Ram Rod Pin Kit	20	83825	1	Stand Pin Kit
<b>Item 9</b>				<b>83629 Angle Ram Base Pin Kit</b>			
21		1	1/2 x 3-11/16 Clevis Pin HT	22		1	5/32 x 1-1/2 Cotter Pin
<b>Item 10</b>				<b>85198 Angle Ram Rod Pin Kit</b>			
22		1	5/32 x 1-1/2 Cotter Pin	23		1	1/2 x 2-7/8 Clevis Pin HT
<b>Item 12</b>				<b>85199 Lift Ram Base Pin Kit</b>			
23		1	1/2 x 2-7/8 Clevis Pin HT	24		1	1/8 Hairpin Cotter
<b>Item 13</b>				<b>84627 Lift Ram Rod Pin Kit</b>			
22		1	5/32 x 1-1/2 Cotter Pin	25		1	1/2 x 2-1/8 Clevis Pin HT
<b>Item 14</b>				<b>84610 Receiver Pin Kit</b>			
24		1	1/8 Hairpin Cotter	26		1	1/2 x 4 Clevis Pin
<b>Item 15</b>				<b>83636 Torsion Spring/Spacer Kit</b>			
27		1	Spacer, Handle Spring	29		1	3/8-16 Hex Locknut GB
28		1	3/8-16 x 2-1/4 Hex Cap Screw G5	30		1	Torsion Spring
<b>Item 16</b>				<b>83633 Attach Handle Release Cam Kit</b>			
31		1	Handle Lock Pin Lever	33		1	3/16 x 1-3/8 Spring Pin SS
32		1	Lock Pin	34		1	Stand Lock Pin Spring
<b>Item 17</b>				<b>84602 Hitch Pin Kit</b>			
35		1	Hitch Pin	37		1	1/4-20 x 1-1/2 Hex Cap Screw SS
36		1	1/4-20 Hex Locknut GB	38		1	1/4 Flat Washer Type A Wide
<b>Item 18</b>				<b>84778 Power Cable Clamp Loop Kit</b>			
39		1	1/4-20 Hex Locknut GB	41		1	#10 Clamp Loop
40		1	1/4-20 x 1 Hex Cap Screw G5				
<b>Item 19</b>				<b>83630 T-Frame Pin Kit</b>			
22		1	5/32 x 1-1/2 Cotter Pin	42		1	3/4 x 3 Clevis Pin
<b>Item 20</b>				<b>83825 Stand Pin Kit</b>			
24		1	1/8 Hairpin Cotter	43		1	3/8 x 2-3/8 Clevis Pin
		G = Grade				HT = Heat Treated	
						SS = Stainless Steel	

# IMPACT™ HD UTV STRAIGHT BLADE HEADGEAR AND A-FRAME ASSEMBLY

## Headgear and A-Frame Components

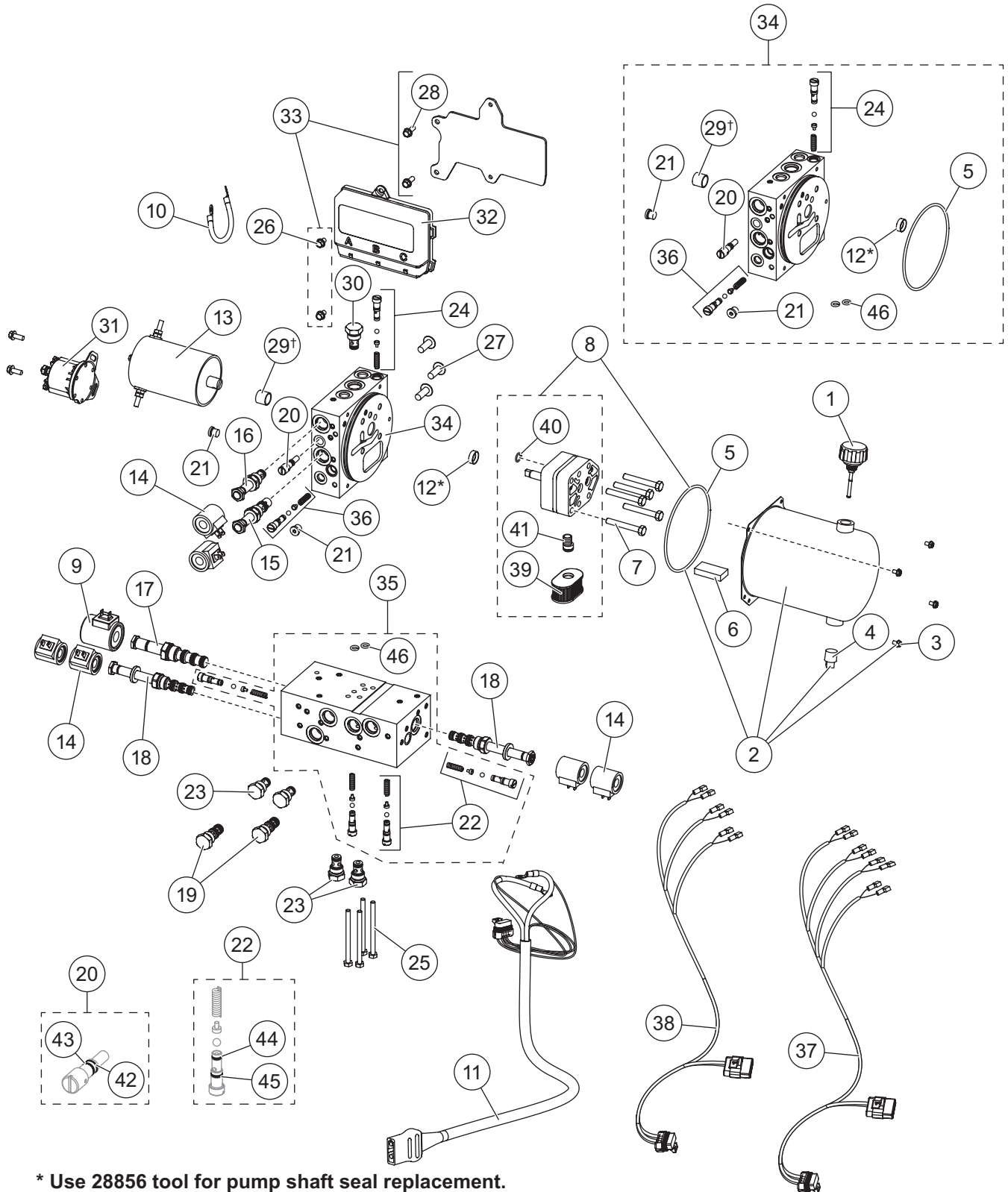


# IMPACT™ HD UTV STRAIGHT BLADE HEADGEAR AND A-FRAME ASSEMBLY

IMPACT Headgear and A-Frame Components							
Item	Part	Qty	Description	Item	Part	Qty	Description
1	86259	1	Headgear	11	84963	1	Label – Information, Hydraulic
2	85193	1	A-Frame	12	85199	1	Lift Ram Base Pin Kit
3	85194	1	Hydraulic Cover (incl. item 11)	13	84627	1	Lift Ram Rod Pin Kit
4	83635	1	Link	14	84610	2	Receiver Pin Kit
5	83634	1	Handle	15	83636	1	Torsion Spring/Spacer Kit
6	84616	1	Grease Zerk (pkg of 3)	16	83633	1	Attach Handle Release Cam Kit
7	61246	1	Cable Boot	17	84602	2	Hitch Pin Kit
8	84846	1	Stand	18	84778	1	Power Cable Clamp Loop Kit
9	83629	2	Angle Ram Rod Pin Kit	19	83630	1	A-Frame Pin Kit
10	85198	2	Angle Ram Base Pin Kit	20	83825	1	Stand Pin Kit
<b>Item 9</b>				<b>83629 Angle Ram Rod Pin Kit</b>			
21		1	1/2 x 3-11/16 Clevis Pin HT	22		1	5/32 x 1-1/2 Cotter Pin
<b>Item 10</b>				<b>85198 Angle Ram Base Pin Kit</b>			
22		1	5/32 x 1-1/2 Cotter Pin	23		1	1/2 x 2-7/8 Clevis Pin HT
<b>Item 12</b>				<b>85199 Lift Ram Base Pin Kit</b>			
23		1	1/2 x 2-7/8 Clevis Pin HT	24		1	1/8 Hairpin Cotter
<b>Item 13</b>				<b>84627 Lift Ram Rod Pin Kit</b>			
22		1	5/32 x 1-1/2 Cotter Pin	25		1	1/2 x 2-1/8 Clevis Pin HT
<b>Item 14</b>				<b>84610 Receiver Pin Kit</b>			
24		1	1/8 Hairpin Cotter	26		1	1/2 x 4 Clevis Pin
<b>Item 15</b>				<b>83636 Torsion Spring/Spacer Kit</b>			
27		1	Spacer, Handle Spring	29		1	3/8-16 Hex Locknut GB
28		1	3/8-16 x 2-1/4 Hex Cap Screw G5	30		1	Torsion Spring
<b>Item 16</b>				<b>83633 Attach Handle Release Cam Kit</b>			
31		1	Handle Lock Pin Lever	33		1	3/16 x 1-3/8 Spring Pin SS
32		1	Lock Pin	34		1	Stand Lock Pin Spring
<b>Item 17</b>				<b>84602 Hitch Pin Kit</b>			
35		1	Hitch Pin	37		1	1/4-20 x 1-1/2 Hex Cap Screw SS
36		1	1/4-20 Hex Locknut GB	38		1	1/4 Flat Washer Type A Wide
<b>Item 18</b>				<b>84778 Power Cable Clamp Loop Kit</b>			
39		1	1/4-20 Hex Locknut GB	41		1	#10 Clamp Loop
40		1	1/4-20 x 1 Hex Cap Screw G5				
<b>Item 19</b>				<b>83630 A-Frame Pin Kit</b>			
22		1	5/32 x 1-1/2 Cotter Pin	42		1	3/4 x 3 Clevis Pin
<b>Item 20</b>				<b>83825 Stand Pin Kit</b>			
24		1	1/8 Hairpin Cotter	43		1	3/8 x 2-3/4 Clevis Pin HT
		G = Grade				HT = Heat Treated	
						SS = Stainless Steel	

# IMPACT™ HD UTV V-PLOW HYDRAULIC COMPONENTS

## Hydraulic Unit Components



\* Use 28856 tool for pump shaft seal replacement.

† Use 64589 tool for bearing sleeve replacement.

# IMPACT™ HD UTV V-PLOW HYDRAULIC COMPONENTS

30195 IMPACT HD UTV V-Plow Hydraulic Unit							
Item	Part	Qty	Description	Item	Part	Qty	Description
1	66525	1	Reservoir Filler Breather	21	44344	2	Plug, Hex Socket –4 M ORB
2	48538	1	Reservoir Kit	22	49138K-5	2	Relief Valve Kit (2 sets)
3	66607	4	#10-24 x 5/16 Machine Screw	23	44334-1	4	Check Valve CV08-20
4	92079	1	Plug, Square 3/8 NPTF	24	27792-1	1	Relief Valve Repair Kit (1 set)
5	66519	1	O-Ring 2-250	25	90696	4	1/4-20 x 3-1/2 Hex Cap Screw G5
6	73897	1	Magnet	26	43988	2	1/4-20 x 3/8 Hex Washer-Head Thread-Rolling Screw
7	90073	5	5/16-18 x 2-1/4 Hex Cap Screw G5	27	98043	3	3/8-16 x 1 Button Cap Screw
8	52553	1	Pump Kit	28	44355	4	1/4-20 x 5/8 Hex Washer-Head Thread-Rolling Screw
9	84901	1	Coil 10 w/Spades	29†	56364	1	Sleeve Bearing
10	29071	1	Cable Assembly, 8"	30	84934	1	Check Valve
11	30199	1	Cable Assembly, Plow	31	52290	1	Motor Relay
12*	66515	1	Pump Shaft Seal	32	52292-2	1	Plow Module
13	48543-1	1	Motor Assembly 3"	33	52293-1	1	Module Plate
14	49230K-2	6	Coil w/Spade Terminals	34	52551	1	Primary Manifold, w/o Valves
15	44332	1	Valve, SVCV08-20 w/Nut	35	52552	1	Secondary Manifold, w/o Valves
16	84936	1	Valve, 2-Way NC w/Rev Flow	36	52282	1	Relief Valve (1 set)
17	84900	1	Valve, 4-Way SV10-43 w/Nut	37	30198	1	Plow Control Harness, 4-Coil
18	52285	2	Valve, 4-Way 3-Position Closed Center w/Nut and Spacer	38	52217	1	Plow Control Harness, 3-Coil
19	49458	2	Valve, PC08-30 w/Nut				
20	48517	1	Quill				
<b>Item 2</b>				<b>48538 Reservoir Kit</b>			
		1	Reservoir	4	92079	1	Plug, Square 3/8 NPTF
3	66607	4	#10-24 x 5/16 Machine Screw	5	66519	1	O-Ring 2-250
<b>Item 8</b>				<b>52553 Pump Kit</b>			
		1	Pump	40	56274	1	O-Ring -013
5	66519	1	O-Ring 2-250	41	10887	1	Hydraulic Pump Inlet Fitting
39	56789-4	1	Suction Filter				
<b>Item 20</b>				<b>48517 Quill</b>			
42	48239	1	O-Ring -106	43	48240	1	Back-Up Ring -106
<b>Item 22</b>				<b>49138K-5 Relief Valve Kit</b>			
44	55371	6	O-Ring -008	45	25731	6	O-Ring -010
<b>Item 33</b>				<b>52293-1 Module Plate</b>			
		1	Module Plate	28	44355	4	1/4-20 x 5/8 Hex Washer-Head Thread-Rolling Screw
26	43988	2	1/4-20 x 3/8 Hex Washer-Head Thread-Rolling Screw				
<b>Item 34</b>				<b>52551 Primary Manifold w/o Valves</b>			
12*	66515	1	Pump Shaft Seal	24	27792-1	1	Relief Valve Repair Kit (1 set)
20	48517	1	Quill	29†	56364	1	Bearing Sleeve
21	44344	2	Plug, Hex Socket –4 M ORB	46	43818	2	O-Ring -109
22	49138K-4	2	Relief Valve Kit (2 sets)				
<b>Item 35</b>				<b>52552 Secondary Manifold w/o Valves</b>			
22	49138K-4	2	Relief Valve Kit (2 sets)	46	43818	2	O-Ring -109
<b>O-Ring Service Kits</b>							
ns	52298-2		O-Ring Kit (does not contain O-rings for valves)	ns	49259-2		Seal Kit, 3-Way and 4-Way Valve
ns	49258-2		Seal Kit, 2-Way Valves	ns	84909		Seal Kit, Size 10, 3-Way and 4-Way Valve
ns = not shown				M = Male		G = Grade	

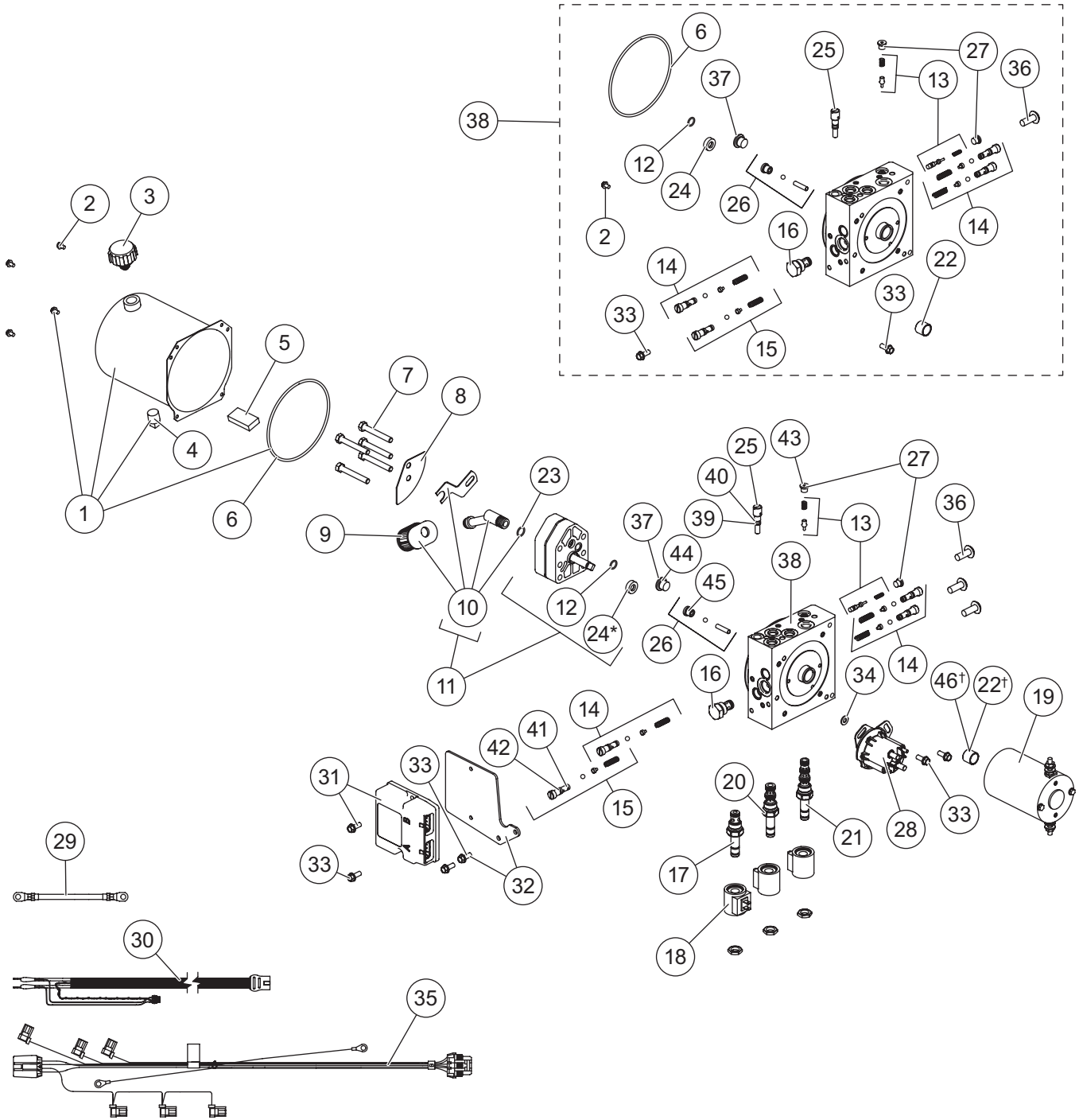
\* Use 28856 tool for pump shaft seal replacement (includes 1 seal).

† Use 64589 tool for bearing sleeve replacement (includes 1 bearing).

Go to [www.westernplows.com](http://www.westernplows.com) for hydraulic unit service information and specifications.

# IMPACT™ HD UTV STRAIGHT BLADE HYDRAULIC COMPONENTS

## Hydraulic Unit Components



# IMPACT™ HD UTV STRAIGHT BLADE HYDRAULIC COMPONENTS

<b>30200 IMPACT HD UTV Straight Blade Hydraulic Unit</b>							
Item	Part	Qty	Description	Item	Part	Qty	Description
1	48538	1	Reservoir Kit	25	48517	1	Quill
2	66607	4	#10-24 x 5/16 Hex Washer-Head Slotted Machine Screw	26	48518	1	Check Valve Assembly
3	21727-2K	1	Breather 3/8 NPT Kit	27	92960	2	3/8-24 O-Ring Boss Plug
4	92079	1	Plug 3/8 NPTF	28	52290	1	Motor Relay
5	73897	1	Magnet	29	29071	1	Cable Assembly, 8"
6	66519	1	O-Ring 2 -250	30	30199	1	Cable Assembly, Plow
7	90073	5	5/16-18 x 2-1/4 Hex Cap Screw G5	31	49567	1	Plow Module
8	48464	1	Plate Baffle	32	84957	1	Module Plate w/Screws
9	56789-4	1	Suction Filter	33	44355	6	1/4-20 x 5/8 Hex Washer-Head Thread-Rolling Screw
10	66763-1	1	Inlet Fitting/Filter Kit	34	91119	1	3/16 Flat Washer Type A Special
11	27746	1	Hydraulic Pump Kit – IA	35	28581-1	1	Harness Plow Control 3-Solenoid
12	56274	1	O-Ring -013	36	98043	3	3/8-16 x 1 Button Head Cap Screw
13	49226K	1	Poppet Check Valve Kit	37	56532	1	Plug, -6 SAE O-Ring Boss
14	49138K-4	2	Relief Valve Kit (2 sets)	38	84950	1	Manifold Assembly w/o Valves (incl. items 2, 6, 12–16, 22, 24–27, 33, 36, and 37)
15	27792-1	1	Relief Valve Repair Kit	39	48239	1	O-Ring -106
16	44334-1	1	Check Valve CV08-20	40	48240	1	Back-up Ring -106
17	49227K-2	1	Valve 2-Way w/Nut	41	55371	4	O-Ring -008
18	49230K-2	3	Coil w/Spade Terminals	42	25731	4	O-Ring -010
19	48543-1	1	Motor Assembly 3"	43	26784	2	O-Ring -903
20	66608-1	1	Cartridge Valve 3-Way w/Nut	44	56569	1	O-Ring -906
21	49229K-1	1	Cartridge Valve 4-Way w/Nut	45	44343	1	O-Ring -904
22†	56364*	1	Bearing, Sleeve	46†	64596-1	1	Sleeve Bearing and Shaft Seal Kit
23	56416	1	O-Ring -014				
24	66515**	1	Pump Shaft Seal				
<b>O-Ring Service Kits</b>							
ns	56657-5	–	O-Ring & Back-Up Ring Kit	ns	49259-2	–	Seal Kit Cartridge 3-Way and 4-Way Valve
ns	49258-2	–	Seal Kit 2-Way Valve				
ns = not shown				G = Grade			

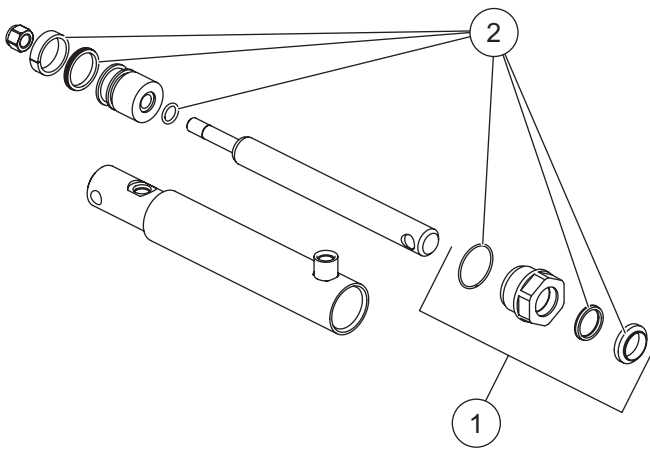
† Use 64589 tool for bearing sleeve replacement (includes 1 bearing).

\* Use 64589 tool to install (includes 56364).

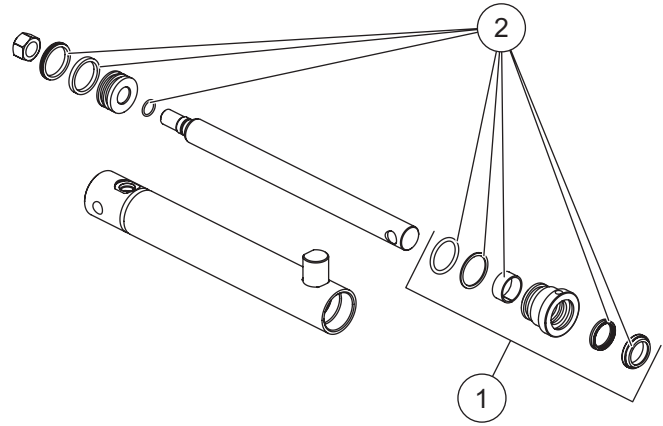
\*\* Use 28856 tool to install (includes 66515).

# IMPACT™ HD UTV V-PLOW HYDRAULIC COMPONENTS

## Lift and Angle Ram Components



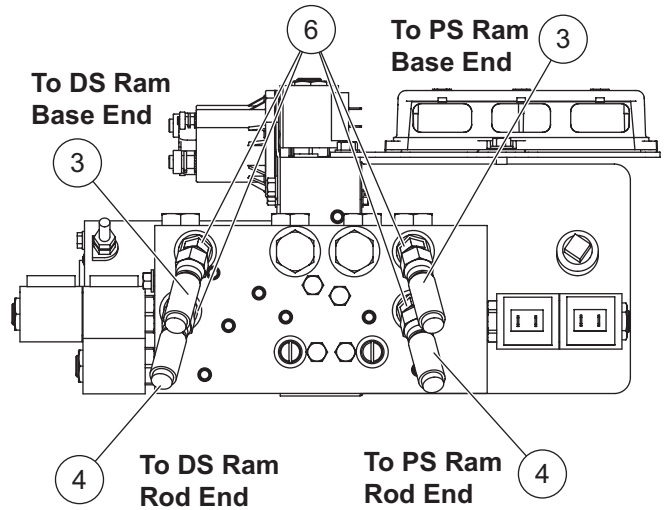
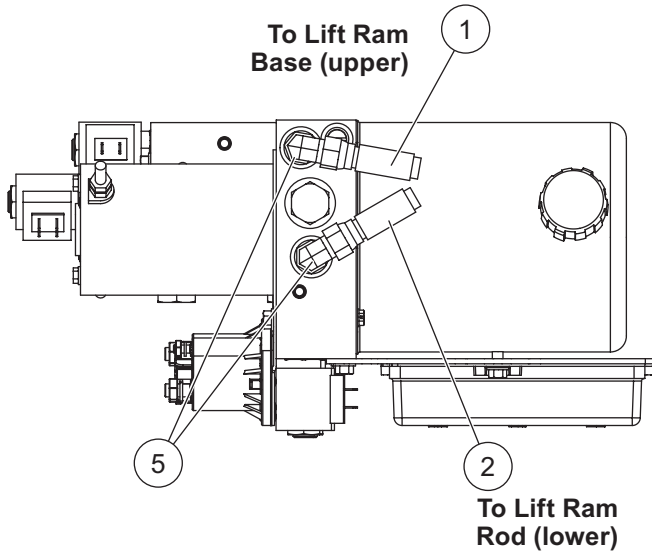
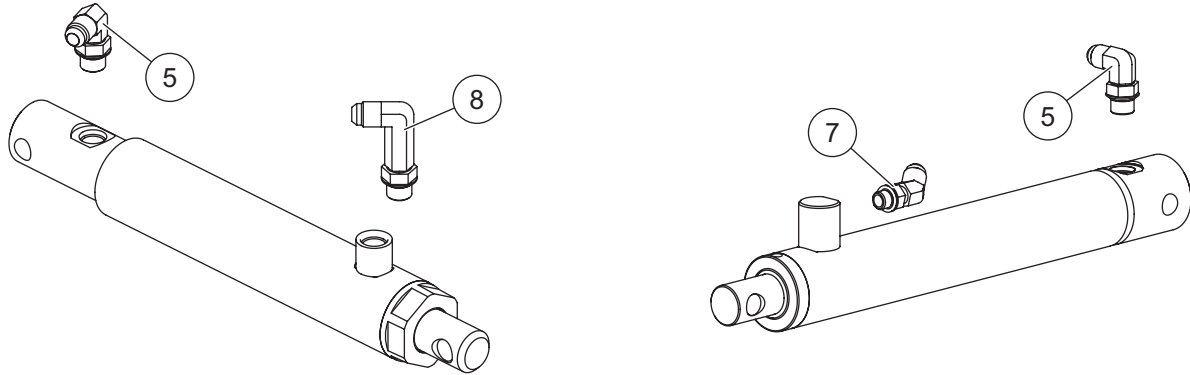
84496 Lift Ram Assembly 1-1/2 x 6			
Item	Part	Qty	Description
1	52277	1	1" Gland Nut Assembly
2	27788-1	1	Seal Kit 1-1/2 DA Ram



84435 Wing Ram Assembly 1-1/2 x 8-3/4 DA			
Item	Part	Qty	Description
1	52558	1	1" Gland Nut Assembly
2	52557	1	Seal Kit 1-1/2 DA Ram

# IMPACT™ HD UTV V-PLOW HYDRAULIC COMPONENTS

## Hoses and Fittings

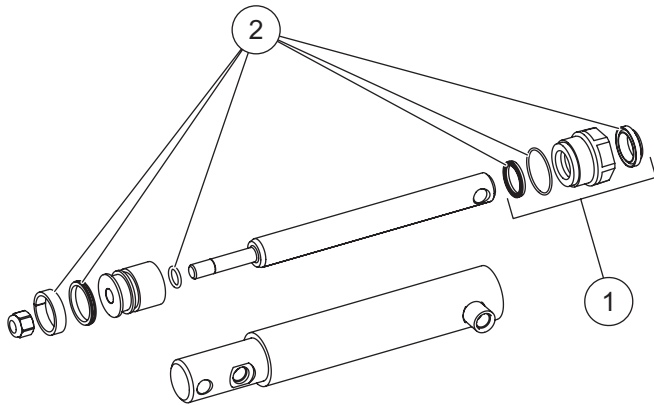


### Hoses and Fittings

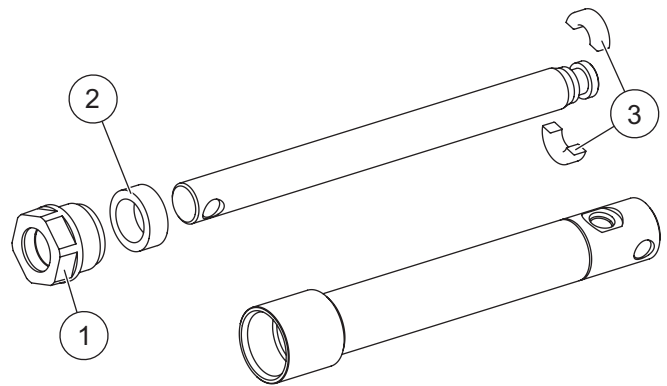
Item	Part	Qty	Description	Item	Part	Qty	Description
1	84446	1	Hose, 1/4 x 14 w/F JIC Ends	6	26694	4	Elbow, 45° -6 M JIC/-6 M ORB
2	84453	1	Hose, 1/4 x 20 w/F JIC Ends	7	41093	2	Elbow, 45° -6 M JIC/-4 M ORB
3	48519	2	Hose, 1/4 x 32 w/F JIC Ends	8	64212-1	1	Elbow, Extra Long 90° -6 M JIC/-6 M ORB
4	64625	2	Hose, 1/4 x 36 w/F JIC Ends				
5	56615-1	5	Elbow, 90° -6 M JIC/-6 M ORB				
F = Female				M = Male			

# IMPACT™ HD UTV STRAIGHT BLADE HYDRAULIC COMPONENTS

## Lift and Angle Ram Components

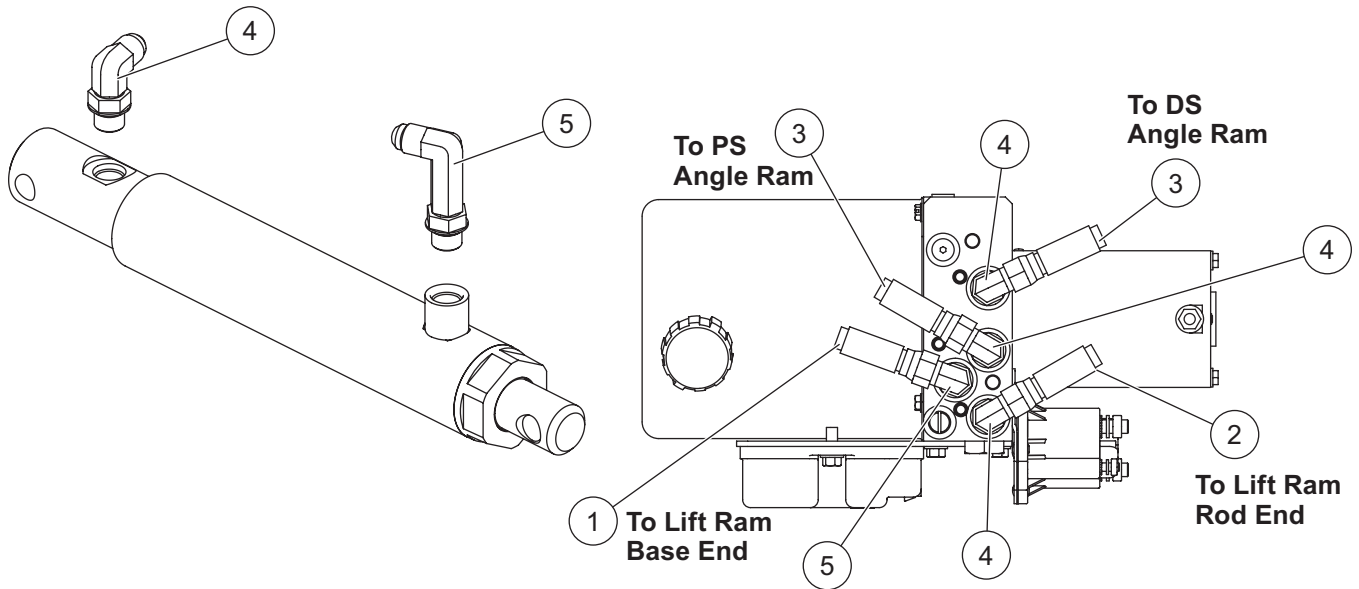


84496 Lift Ram Assembly 1-1/2 x 6 DA			
Item	Part	Qty	Description
1	52277	1	1" Gland Nut Assembly
2	27788-1	1	Seal Kit 1-1/2 DA Ram



77478 Angle Ram Assembly 1 x 7			
Item	Part	Qty	Description
1	52277	1	1" Gland Nut Assembly
2	56803	1	Spacer
3	52276	1	1" Split Bearing Kit

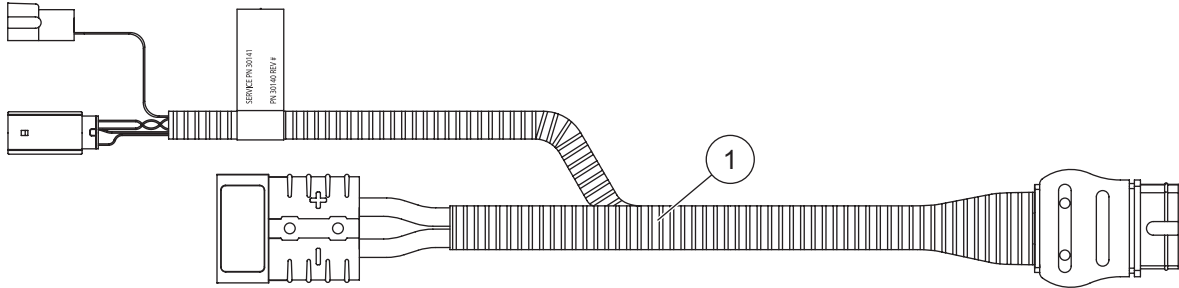
## Hoses and Fittings



Hoses and Fittings							
Item	Part	Qty	Description	Item	Part	Qty	Description
1	84446	1	Hose, 1/4 x 14 w/F JIC Ends	5	64212-1	2	Elbow, Extra Long 90° -6 M JIC/-6 M ORB
2	84453	1	Hose, 1/4 x 20 w/F JIC Ends	ns	56823	1	Hose Wrap
3	48519	2	Hose, 1/4 x 32 w/F JIC Ends				
4	56615-1	6	Elbow, 90° -6 M JIC/-6 M ORB				
			F = Female			ns = not shown	
						M = Male	

# IMPACT™ HD UTV STRAIGHT BLADE VEHICLE-SIDE HARNESS

## Vehicle-Side Harness



Vehicle-Side Electrical Components			
Item	Part	Qty	Description
1	30141	1	Vehicle Harness
ns	30036	1	Control Adapter
ns	61548K	2	Plug Cover
ns = not shown			



Western Products  
PO Box 245038  
Milwaukee, WI 53224-9538  
[www.westernplows.com](http://www.westernplows.com)

 **A DIVISION OF DOUGLAS DYNAMICS, LLC**

Copyright © 2022 Douglas Dynamics, LLC. All rights reserved. This material may not be reproduced or copied, in whole or in part, in any printed, mechanical, electronic, film, or other distribution and storage media, without the written consent of Western Products. Authorization to photocopy items for internal or personal use by Western Products outlets or snowplow owner is granted.

Western Products reserves the right under its product improvement policy to change construction or design details and furnish equipment when so altered without reference to illustrations or specifications used. Western Products or the vehicle manufacturer may require or recommend optional equipment for snow removal. Do not exceed vehicle ratings with a snowplow. Western Products offers a limited warranty for all snowplows and accessories. See separately printed page for this important information. The following are registered (®) or unregistered (™) trademarks of Douglas Dynamics, LLC: IMPACT™, ULTRAFINISH™, WESTERN®.

**Printed in U.S.A.**