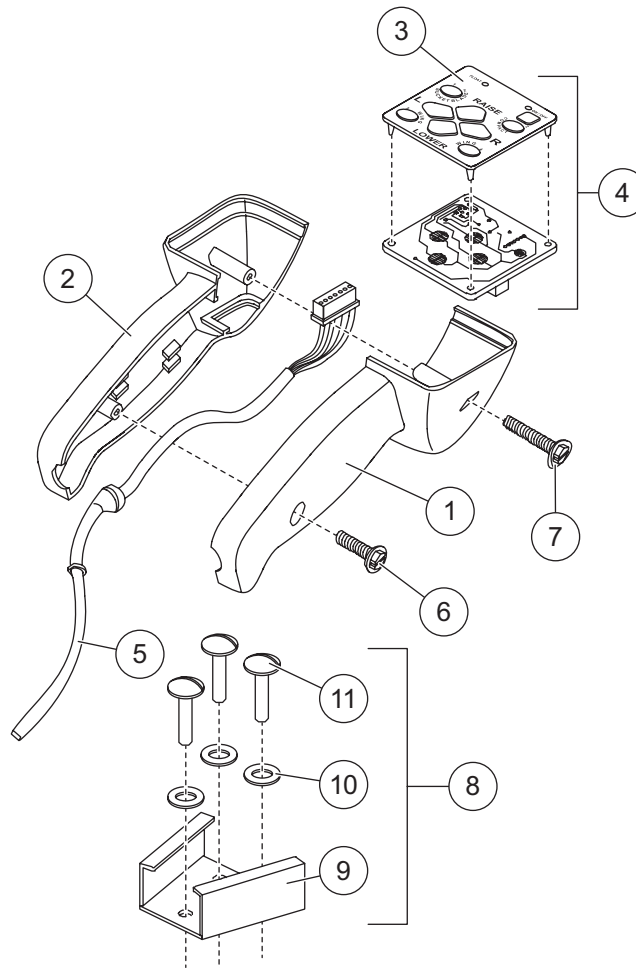


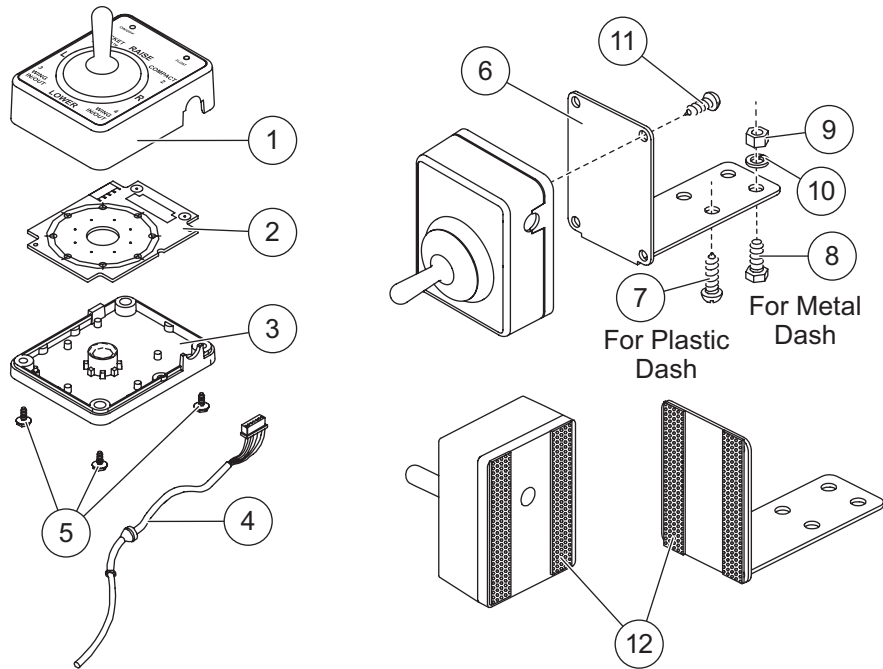
# CONTROL KITS

## POWER PLOW™ POWER GRIP™ Hand-Held and POWER PLOW Joystick Control

### PARTS LIST



84455 SnowEx® Hand-Held Control							
Item	Part	Qty	Description	Item	Part	Qty	Description
1	96456	1	Control Body – Right	5	96464	1	Harness – 9-button (4-Pin)
2	96457	1	Control Body – Left	6	93173	1	8-18 x 3/4 Tapping Screw
3	52233	1	Keypad – POWER PLOW (9-Button)	7	93174	1	8-18 x 1-1/4 Tapping Screw
4	52234	1	PC Board & Keypad – 9-Button (4-Pin)	8	64312	1	Parts Bag – Control Bracket
<b>Item 8</b>				<b>64312 Parts Bag – Control Bracket</b>			
9	56436	1	Control Bracket	11	80135	3	6-32 x 1 Tapping Screw
10	91230	3	6 Spring Lock Washer				



84460 SnowEx® Joystick Control							
Item	Part	Qty	Description	Item	Part	Qty	Description
1	52235	1	Cover Assy w/Actuator Spring & Label	4	96352	1	Harness (4-Pin)
2	52236	1	PC Board	5	96364	3	4 x 3/8 Tapping Screw
3	96366	1	Bottom Housing	ns	96363	1	Dash Bracket Parts Bag
96363 Dash Bracket Parts Bag							
6	7718	1	Control Bracket	10	91201	2	1/4 Spring Lock Washer
7	90659	4	12-14 x 3/4 Tapping Screw	11	93154	2	8-18 x 5/8 Tapping Screw
8	90461	2	1/4-20 x 3/4 Hex Cap Screw G5	12	49305K	1	PRO-GRIP Mounting Kit
9	91411	2	1/4-20 Hex Nut G5				
ns = not shown				G = Grade			

Copyright © 2015 Douglas Dynamics, LLC. All rights reserved. This material may not be reproduced or copied, in whole or in part, in any printed, mechanical, electronic, film or other distribution and storage media, without the written consent of TrynEx International, LLC. Authorization to photocopy items for internal or personal use by the TrynEx International, LLC outlets or snowplow owner is granted.

TrynEx International, LLC reserves the right under its product improvement policy to change construction or design details and furnish equipment when so altered without reference to illustrations or specifications used. TrynEx International, LLC or the vehicle manufacturer may require or recommend optional equipment for snow removal. Do not exceed vehicle ratings with a snowplow. TrynEx International, LLC offers a limited warranty for all snowplows and accessories. See separately printed page for this important information. The following are registered (®) or unregistered (™) trademarks of Douglas Dynamics, LLC: BUCKET BLADE™, POWER GRIP™, POWER PLOW™, SnowEx®.

Printed in U.S.A.