



Fisher Engineering

**90750, 90800, 90850, 90900
93800, 93900, 97400**

50 Gordon Drive, Rockland, Maine 04841-2139 • www.fisherplows.com

April 15, 2019
Lit. No. 57832, Rev. 02



HD2™ and HDX™ Skid Steer Snowplows

HD2 Blade Assembly 90750, 90800, 90850, 90900

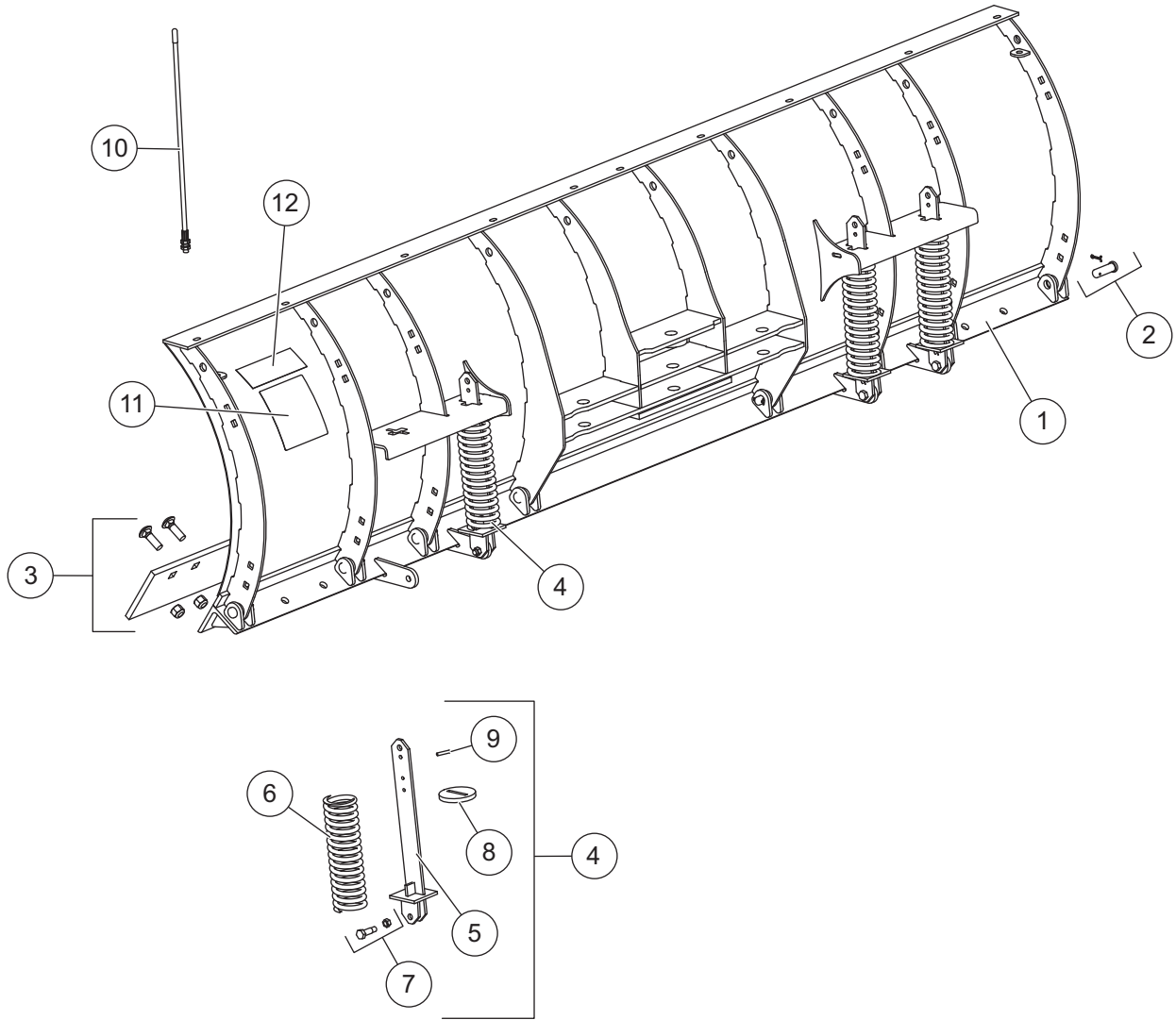
HDX Blade Assembly 93800, 93900

A-Frame/Attachment Plate & Hydraulics 97400

Parts List

BLADE COMPONENTS 4
 HD2™ Blades 4
 HDX™ Blades 6
A-FRAME COMPONENTS..... 8
ANGLE RAM COMPONENTS 10
HYDRAULIC COMPONENTS 11

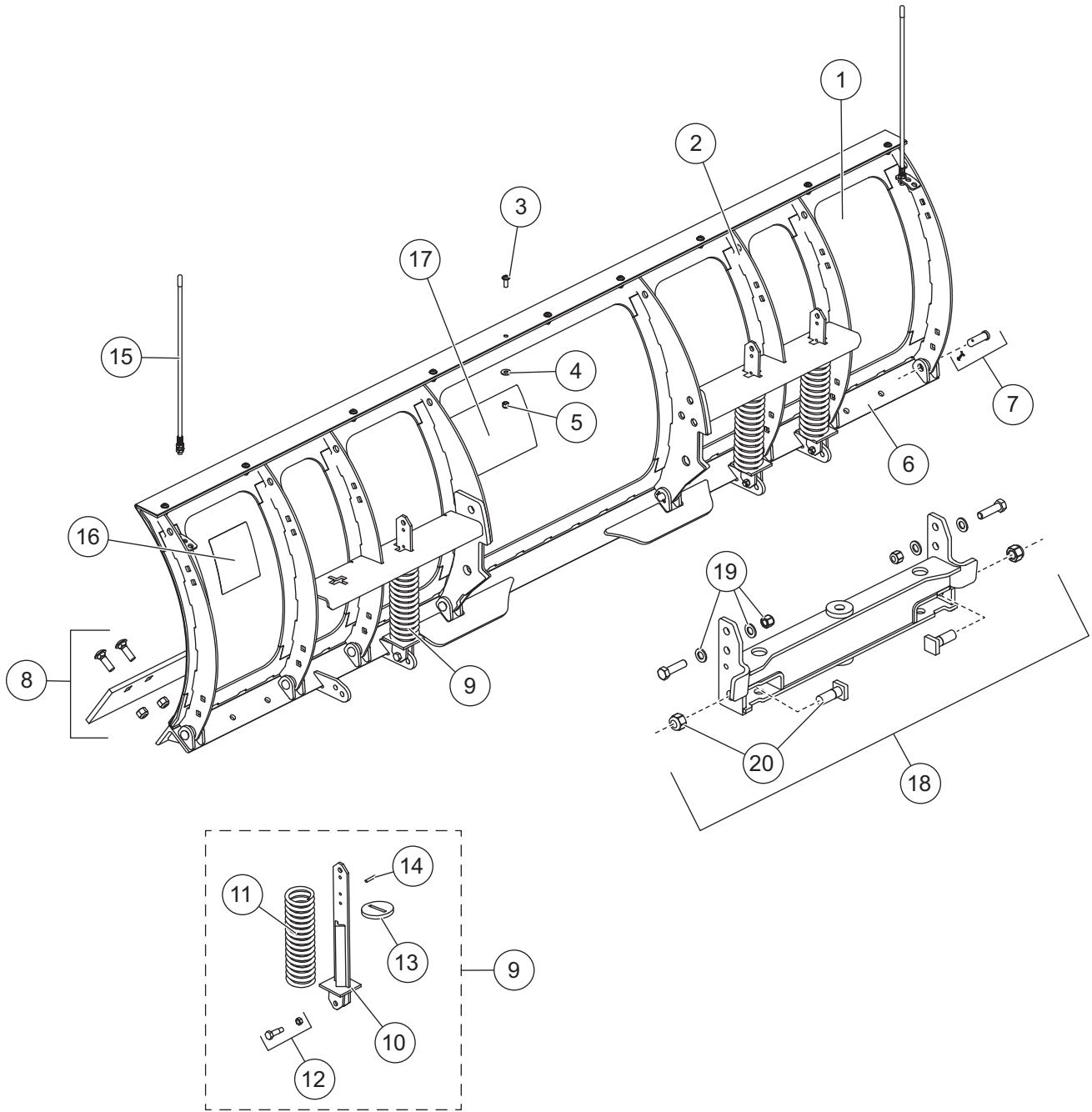
HD2™ Blade Components



90750, 90800, 90850, 90900, 93800, 93900, 97400

90750/90800/90850/90900 HD2™ Blade Components – 7.5'/8.0'/8.5'/9.0'							
Item	Part	Qty	Description	Item	Part	Qty	Description
1	52511	1	Base Angle – 7.5'	6	27406	4	Trip Spring
	52512	1	Base Angle – 8.0'	7	40905	4	Shoulder Bolt w/Locknut
	52513	1	Base Angle – 8.5'	8	20191	4	Removable Spring Disk
	52514	1	Base Angle – 9.0'	9	20181	4	1/4 x 1-1/4 Pin
2	84844	8	3/4 x 2-3/16 Machine Pin w/Cotter	10	7906K	1	Blade Guide Kit (set of 2)
3	5532	1	3/8 Steel Cutting Edge – 7.5'	11	59900	1	Label – Warning/Caution, Snowplows
	5533	1	1/2 Steel Cutting Edge – 8.0'	12	26211	1	Label – Logo, STORM GUARD™
	26460	1	1/2 Steel Cutting Edge – 8.5'	13	57990	1	Label – Attach/Detach, Skid Steer
	5534	1	1/2 Steel Cutting Edge – 9.0'	ns	20238	1	Label – FISHER® Logo
4	26464	4	Removable Spring Assembly	ns	43893	1	Label – Identity, HD2
5	20757	4	Removable Spring Bar				
Item 4				26464 Removable Spring Assembly			
5	20757	1	Removable Spring Bar	8	20191	1	Removable Spring Disc
6	27406	1	Trip Spring	9	20181	1	1/4 x 1-1/4 Pin
7	40905	1	Shoulder Bolt w/Locknut				
ns = not shown							

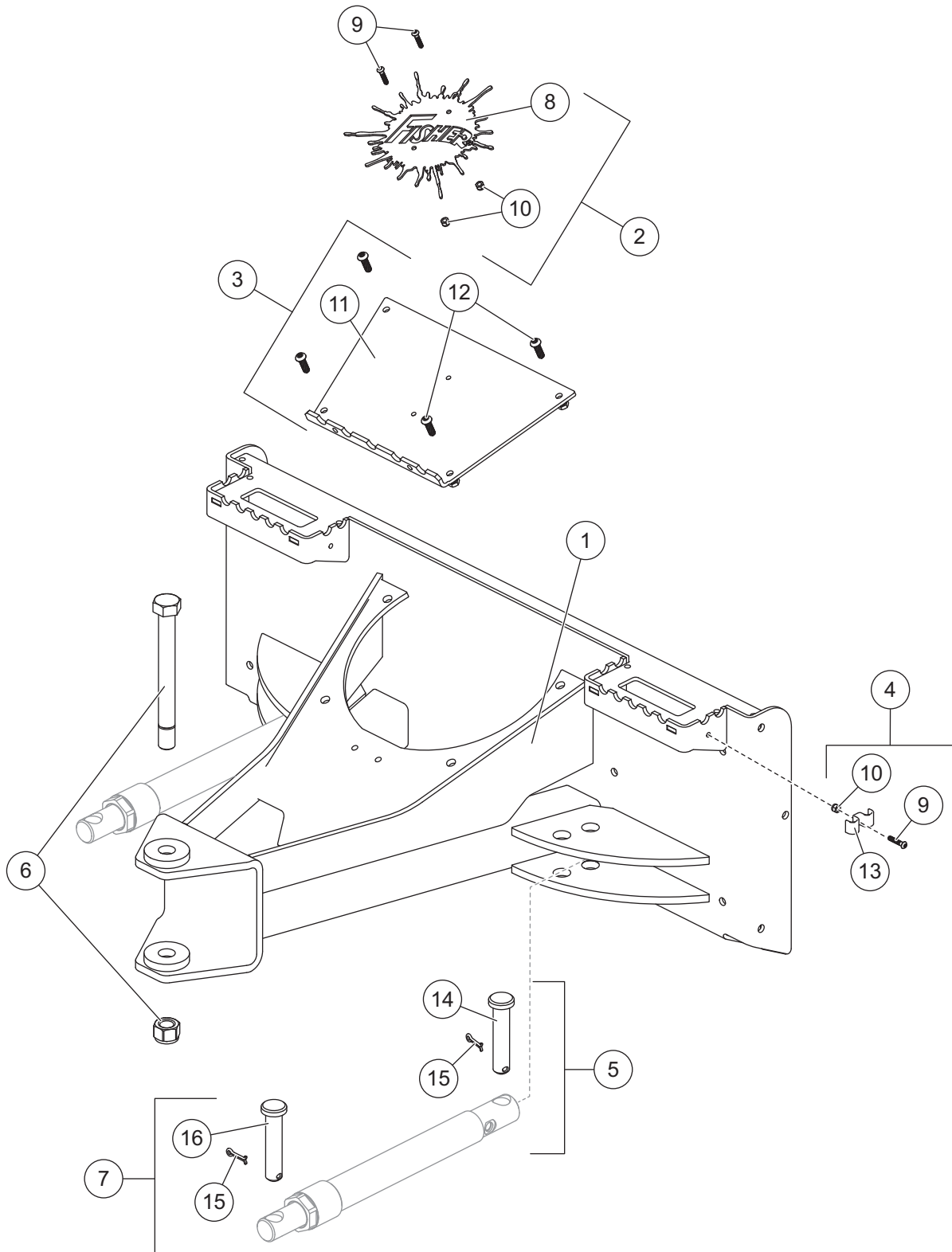
HDX™ Blade Components



90750, 90800, 90850, 90900, 93800, 93900, 97400

93800/93900 HDX™ Blade Components – 8.0'/9.0'							
Item	Part	Qty	Description	Item	Part	Qty	Description
1	52164	1	Moldboard Kit SS – 8.0'	10	20757	4	Removable Spring Bar
	52163	1	Moldboard Kit SS – 9.0'	11	27406	4	Trip Spring
2	52165	1	Blade Frame (w/o Base Angle) – 8.0'	12	40905	4	Shoulder Bolt w/Locknut
	52166	1	Blade Frame (w/o Base Angle) – 9.0'	13	20191	4	Removable Spring Disc
3	98035	10	3/8-16 x 1 Button Cap Screw SS	14	20181	4	1/4 x 1-1/4 Pin
4	29233	10	3/8 Hardened Flat Washer	15	7906K	1	Blade Guide (set of 2)
5	95410	10	3/8 x 16 Brass Locknut	16	59900	1	Label – Warning/Caution, Snowplows
6	52167	1	Base Angle – 8.0'	17	57990	1	Label – Attach/Detach, Skid Steer
	52182	1	Base Angle – 9.0'	18	52588	1	Articulating Quadrant w/Fasteners
7	84844	8	3/4 x 2-3/16 Machine Pin w/Cotter	19	52638	1	3/4-10 x 2-3/4 G5 Fastener Kit
8	5533	1	1/2 Steel Cutting Edge – 8.0'	20	52595	1	1-14 x 2-3/4 G8 Square Bolt Kit
	5534	1	1/2 Steel Cutting Edge – 9.0'	ns	20238	1	Label – Logo, FISHER®
9	26464	4	Removable Spring Assembly	ns	43672	1	Label – Identity, HDX
Item 9	26464 Removable Spring Assembly						
10	20757	1	Removable Spring Bar	13	20191	1	Removable Spring Disc
11	27406	1	Trip Spring	14	20181	1	1/4 x 1-1/4 Pin
12	40905	1	Shoulder Bolt w/Locknut				
Item 18	52588 Articulating Quadrant w/Fasteners						
		1	Quadrant	20	52595	1	1-14 x 2-3/4 G8 Square Bolt Kit
19	52638	1	3/4-10 x 2-3/4 G5 Fastener Kit				
		G = Grade				ns = not shown	
						SS = Stainless Steel	

A-Frame Components

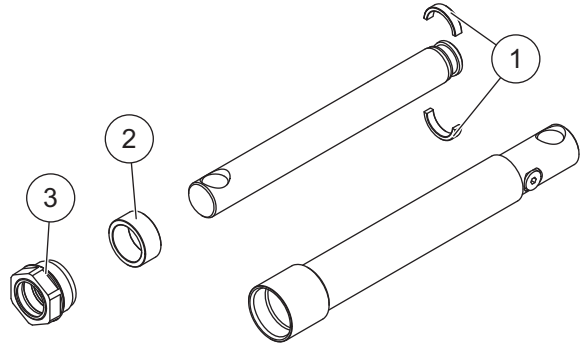


A-Frame Components							
Item	Part	Qty	Description	Item	Part	Qty	Description
1	57011	1	A-Frame	5	7903K	2	Ram Pin Kit
2	57976	1	FISHER® Logo Plate Kit	6	50668	1	1 x 9-1/2 Pivot Bolt Kit
3	57978	1	A-Frame Cover Kit	7	50673	2	Ram Pin Kit
4	57890	1	Hose Clamp Kit	ns	57898	1	Label – Hydraulic Guide, Skid Steer
Item 2 57976 FISHER Logo Plate Kit							
8		1	Logo Plate – Identity, FISHER	10		2	1/4-20 Hex Locknut
9		2	1/4-20 x 1-1/2 Button-Head Screw				
Item 3 57978 A-Frame Cover Kit							
11		1	Step Plate	12		4	3/8-16 x 1-1/2 Button-Head Screw
Item 4 57890 Hose Clamp Kit							
9		1	1/4-20 x 1-1/2 Button-Head Screw	13		1	Double Hose Clamp
10		1	1/4-20 Hex Locknut				
Item 5 7903K Ram Pin Kit							
14		1	1 x 4 Clevis Pin	15		1	1/4 x 1-1/2 Cotter Pin
Item 7 50673 Ram Pin Kit							
15		1	1/4 x 1-1/2 Cotter Pin	16		1	1 x 4-3/4 Clevis Pin

ns = not shown

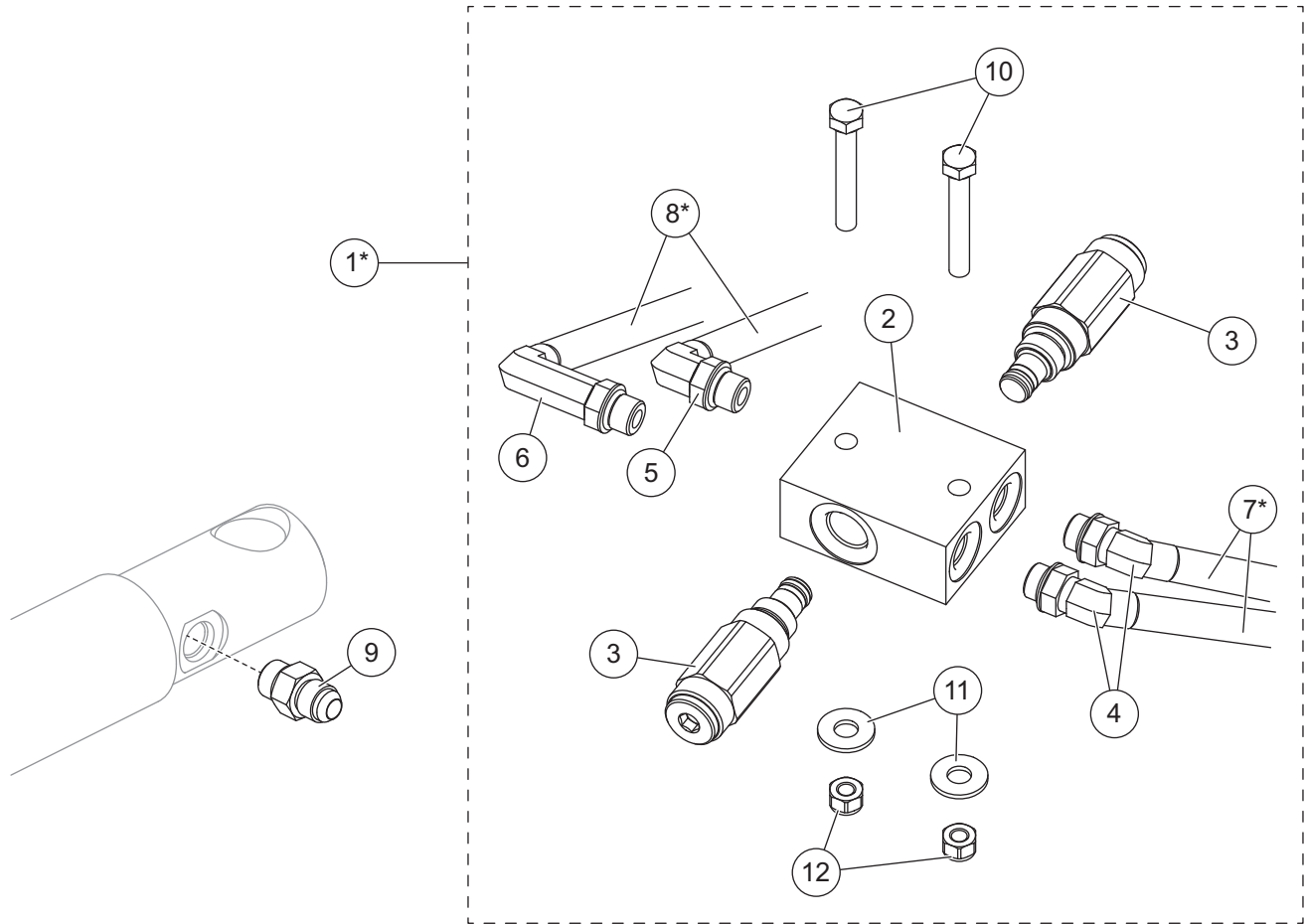
For hydraulic relief manifold and fittings, see Hydraulic Components page.

Angle Ram Components



56603K Angle Ram Assembly 1-1/2 x 12							
Item	Part	Qty	Description	Item	Part	Qty	Description
1	20118K	2	Split Bearing Kit	3	48985	1	Gland Nut Assembly
2	56537	1	Spacer				

Hydraulic Components



Hydraulic Components							
Item	Part	Qty	Description	Item	Part	Qty	Description
1*	57982	1	Relief Manifold w/Valves, Fittings & Hardware	6	44361	1	Elbow, Extra Long 90° -6 M JIC/ -6 M ORB
2	57984	1	Relief Manifold	7*	57965	2	Hose, 3/8 x 84 w/F JIC Ends
3	57895	2	Relief Valve, 3300 psi	8*	44348	2	Hose, 3/8 x 42 w/F JIC Ends
4	57877	2	Elbow, Special 45° -6 M JIC/ -6 M ORB	ns	57983	1	Hardware Bag
5	56725	1	Elbow, 90° -6 M JIC/-6 M ORB	ns	57893	1	1/2 Coupler Set (accessory only)
				9	49526	2	Connector, Short -6 M JIC/ -6 M ORB
57983 Hardware Bag							
10		2	5/16-18 x 2-1/4 Hex Cap Screw G5	12		2	5/16-18 Hex Locknut
11		2	5/16 Flat Washer				
ns = not shown		F = Female		M = Male		G = Grade	

* Hoses not included in item 1.



Fisher Engineering
50 Gordon Drive
Rockland, ME 04841-2139
www.fisherplows.com

A DIVISION OF FISHER, LLC

Copyright © 2019 Douglas Dynamics, LLC. All rights reserved. This material may not be reproduced or copied, in whole or in part, in any printed, mechanical, electronic, film, or other distribution and storage media, without the written consent of Fisher Engineering. Authorization to photocopy items for internal or personal use by Fisher Engineering outlets or snowplow owner is granted.

Fisher Engineering reserves the right under its product improvement policy to change construction or design details and furnish equipment when so altered without reference to illustrations or specifications used. Fisher Engineering or the vehicle manufacturer may require or recommend optional equipment for snow removal. Do not exceed vehicle ratings with a snowplow. Fisher Engineering offers a limited warranty for all snowplows and accessories. See separately printed page for this important information. The following are registered (®) or unregistered (™) trademarks of Douglas Dynamics, LLC: FISHER®, HD2™, HDX™, STORM GUARD™.

Printed in U.S.A.