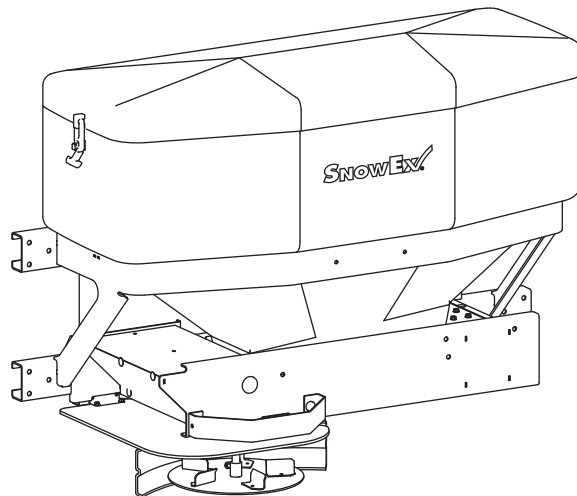
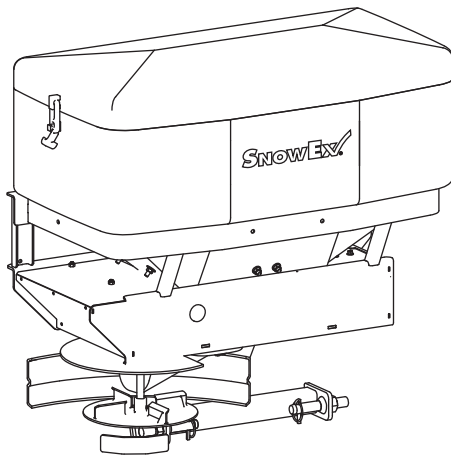




# Bulk Pro™ Low-Profile Tailgate Spreaders

Hopper and Drive Components  
SP-1575-1, SP-1875-1

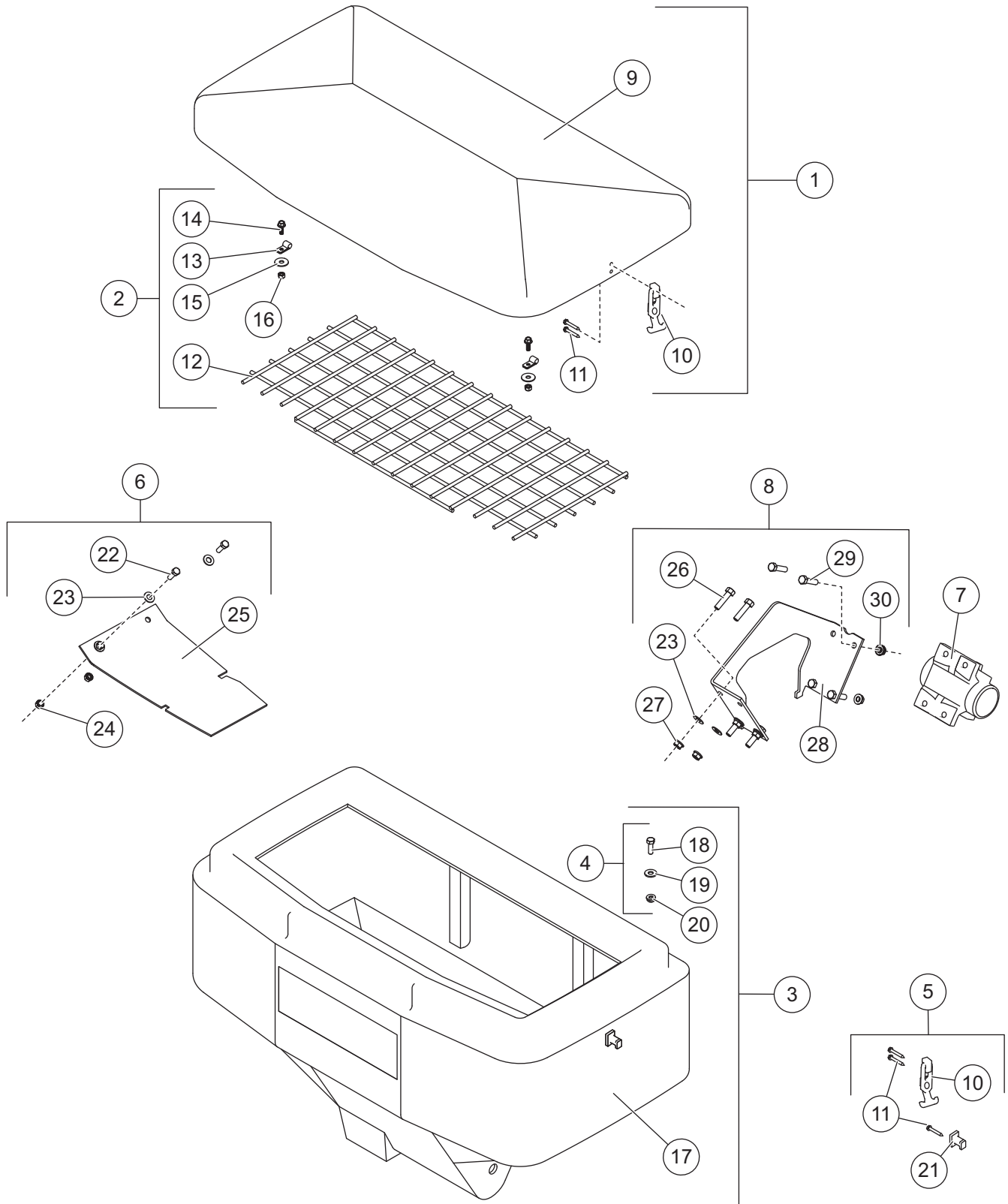
## Parts List



This parts list is for SnowEx® Bulk Pro tailgate spreaders  
with serial numbers beginning with 160501 through 170503.

# Bulk Pro™ 1575 LOW-PROFILE TAILGATE SPREADER

## HOPPER, VIBRATOR & BAFFLE



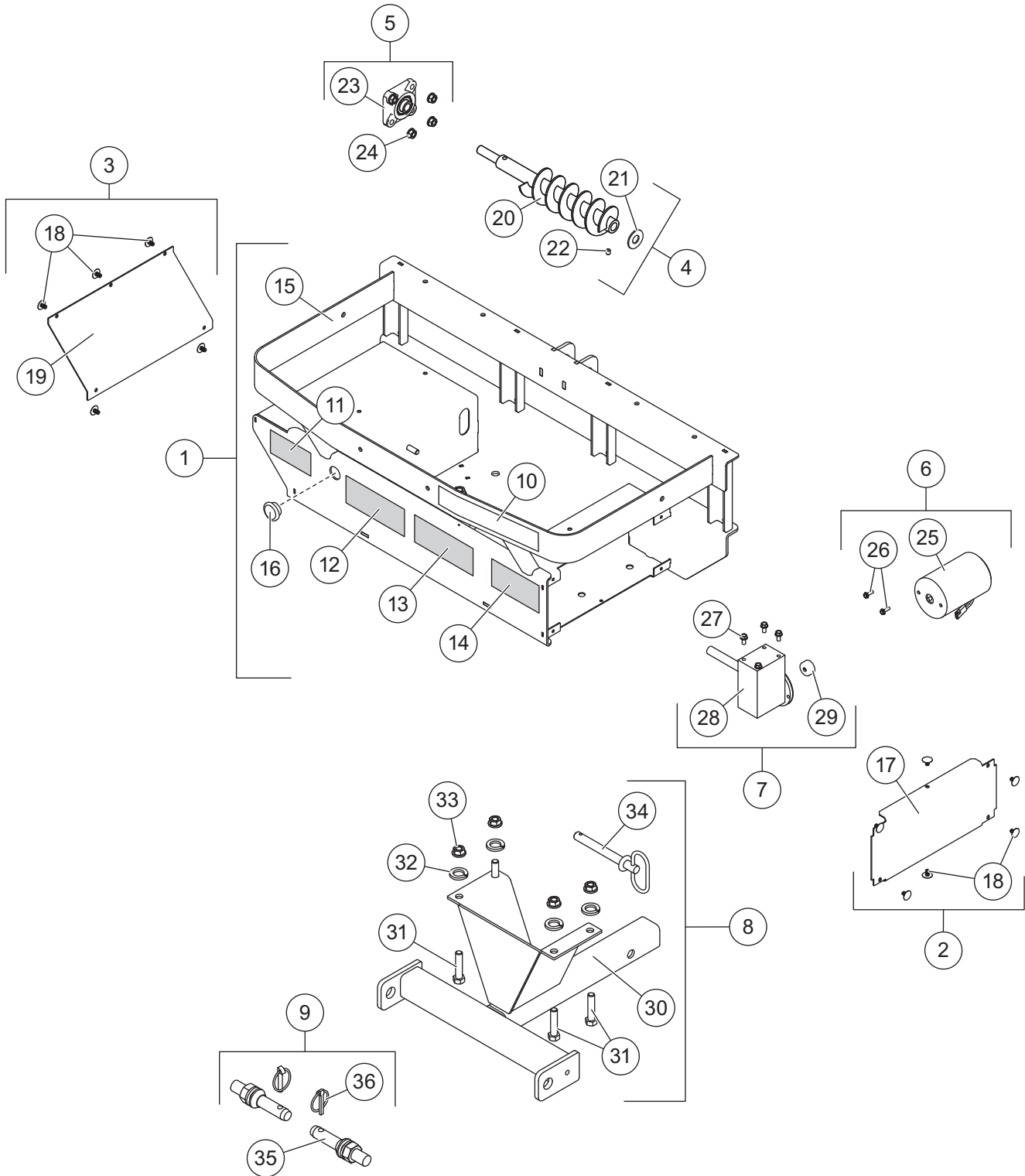
## Bulk Pro™ 1575 LOW-PROFILE TAILGATE SPREADER

<b>Hopper, Vibrator &amp; Baffle</b>							
<b>Item</b>	<b>Part</b>	<b>Qty</b>	<b>Description</b>	<b>Item</b>	<b>Part</b>	<b>Qty</b>	<b>Description</b>
1	75630	1	Lid Kit	5	75612	1	Hopper Strap Kit
2	75655	1	Top Screen Kit, 30 x 14	6	75657	1	Baffle Kit
3	75652	1	Hopper Kit, SP-1575*	7	75673	1	Vibrator – DC-80
4	75659	1	Hopper Hardware Kit	8	75658	1	Vibrator Mount Kit
<b>Item 1</b>				<b>75630 Lid Kit</b>			
9		1	Lid Assembly	11		4	#10 x 3/4 Hex Washer-Head Tapping Screw SS
10		2	Flexible Draw Latch				
<b>Item 2</b>				<b>75655 Top Screen Kit, 30 x 14</b>			
12		1	Top Screen 30 x 14	15		2	1/4 x 1 Washer
13		2	5/16 Clamp	16		2	1/4 Hex Locknut SS
14		2	1/4-20 x 3/4 Serrated Flange Hex Cap Screw SS				
<b>Item 3</b>				<b>75652 Hopper Kit, SP-1575*</b>			
4	75659	1	Hopper Hardware Kit	17		1	Hopper 5.25 ft <sup>3</sup> , Yellow
<b>Item 4</b>				<b>75659 Hopper Hardware Kit</b>			
18		4	5/16-18 x 1 Hex Cap Screw	20		4	5/16-18 Serrated Flange Locknut
19		4	5/16 Flat Washer				
<b>Item 5</b>				<b>75612 Hopper Strap Kit</b>			
10		2	Flexible Draw Latch	21		2	Latch Keeper
11		6	#10 x 3/4 Hex Washer-Head Tapping Screw SS				
<b>Item 6</b>				<b>75657 Baffle Kit</b>			
22		2	5/16-18 x 1-1/4 Hex Cap Screw SS	24		2	5/16-18 Hex Locknut SS
23		2	3/8 Flat Washer SS	25		1	Material Baffle SP-1575
<b>Item 8</b>				<b>75658 Vibrator Mount Kit</b>			
23		4	3/8 Flat Washer SS	28		1	Vibrator Mount Bracket
26		4	3/8-16 x 1 Hex Cap Screw SS	29		4	3/8-16 x 1-1/2 Hex Cap Screw
27		4	3/8-16 Serrated Flange Nut	30		4	3/8-16 Hex Locknut
SS = Stainless Steel							

\* Hopper ships with two latch keepers installed.

# Bulk Pro™ 1575 LOW-PROFILE TAILGATE SPREADER

## FRAME, AUGER & HITCH



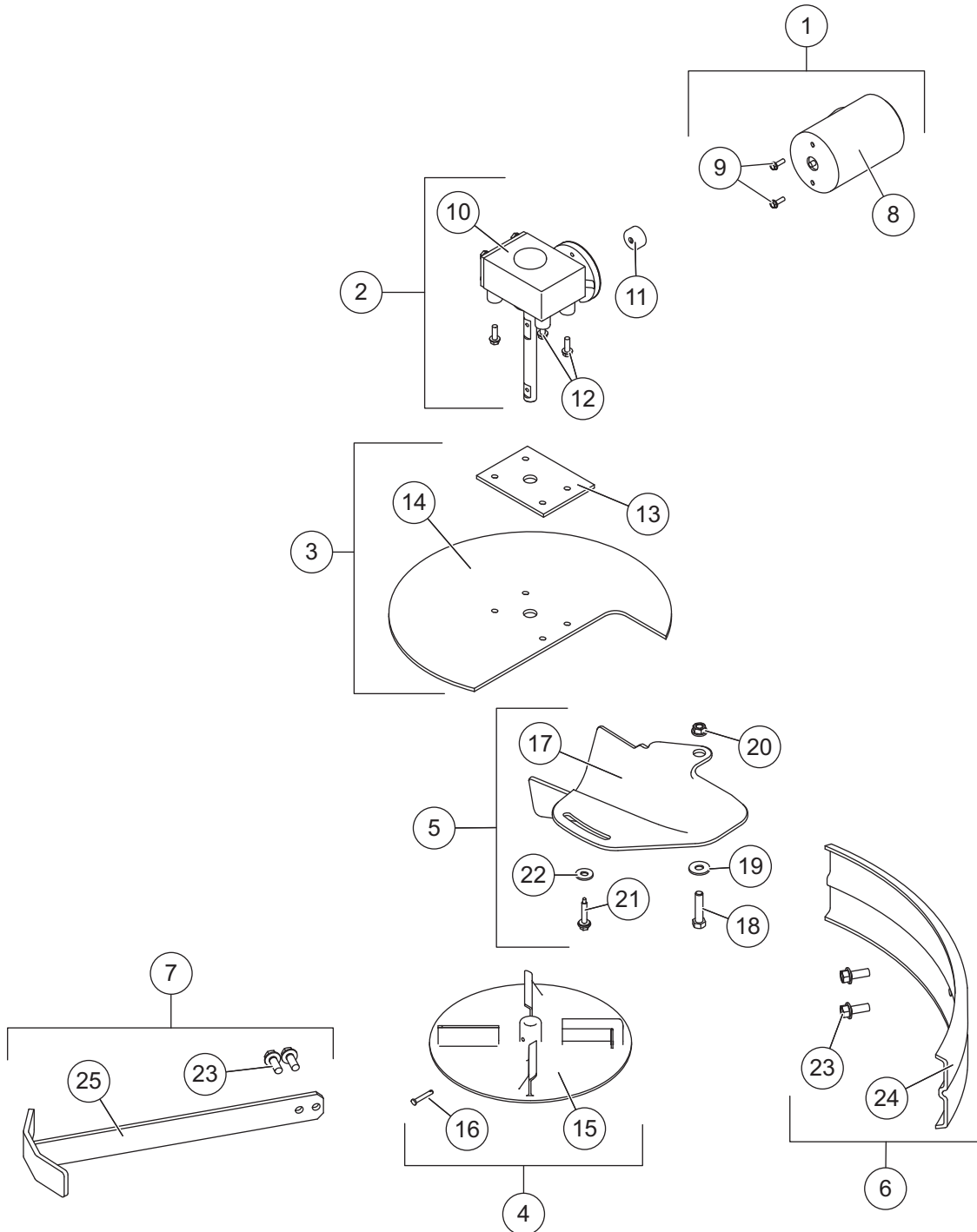
# Bulk Pro™ 1575 LOW-PROFILE TAILGATE SPREADER

Frame, Auger & Hitch							
Item	Part	Qty	Description	Item	Part	Qty	Description
1	75653	1	Frame Kit	8	75654	1	Hitch Kit
2	75667	1	Side Cover Kit	9	75666	1	Lift Arm Pin Kit
3	75558	1	Spinner Drive Cover Kit	10	70439	1	Label – Bulk Pro 1575 TG Spreader
4	75661	1	Auger Kit	11	75621	1	Label – Warning, Hands and Feet
5	75660	1	Bearing Kit	12	75669	1	Label – Warning, Rotating Auger
6	75901	1	Motor Kit	13	11100	1	Label – Warning, Rear Camera
7	75670	1	Auger Transmission Kit	14	75623	1	Label – Warning, Read Manual
<b>Item 1</b>				<b>75653 Frame Kit</b>			
10	70439	1	Label – Bulk Pro 1575 TG Spreader	14	75623	1	Label – Warning, Read Manual
11	75621	1	Label – Warning, Hands and Feet	15		1	Main Frame
12	75669	1	Label – Warning, Rotating Auger	16	75689*	1	Bearing Access Cover
13	11100	1	Label – Warning, Rear Camera				
<b>Item 2</b>				<b>75667 Side Cover Kit</b>			
17		1	Drive Cover	18	D6467	6	1/4 x 3/4 x 1/2 Push Retainer Nylon
<b>Item 3</b>				<b>75558 Spinner Drive Cover Kit</b>			
18	D6467	6	1/4 x 3/4 x 1/2 Push Retainer Nylon	19		1	Spinner Drive Cover
<b>Item 4</b>				<b>75661 Auger Kit</b>			
20		1	2-5/8 x 14 x 1-3/8 Auger	22		1	5/16-18 x 3/8 Socket Head Set Screw
21		1	5/8 Flat Washer Nylon				
<b>Item 5</b>				<b>75660 Bearing Kit</b>			
23	68662	1	5/8 Bearing 4-Bolt Flange	24		4	3/8-16 Serrated Flange Nut
<b>Item 6</b>				<b>75901 Motor Kit</b>			
25		1	Motor 12V DC, 3 x 3.8	26		2	#10-32 x 5/8 Serrated Flange Hex Cap Screw w/Patch
<b>Item 7</b>				<b>75670 Auger Transmission Kit</b>			
27		4	1/4-20 x 3/4 Serrated Flange Hex Cap Screw SS	28		1	Transmission 30:1 Worm Gear
				29	D6232	1	Motor Drive Coupler
<b>Item 8</b>				<b>75654 Hitch Kit</b>			
30		1	Hitch	33		4	1/2-13 Serrated Flange Nut
31		4	1/2-13 x 1-1/2 Hex Cap Screw	34	D4136	1	Hitch Pin
32		4	1/2 Split Lock Washer				
<b>Item 9</b>				<b>75666 Lift Arm Pin Kit</b>			
35		2	7/8 x 5-1/2 Lift Arm Pin	36		2	5/16 x 1-9/16 Linchpin
SS = Stainless Steel							

\* Not present on all model 1575 spreaders. To add a bearing access hole and cover on an existing frame, order accessory kit 76711.

# Bulk Pro™ 1575 LOW-PROFILE TAILGATE SPREADER

## SPINNER ASSEMBLY & MATERIAL CHUTE

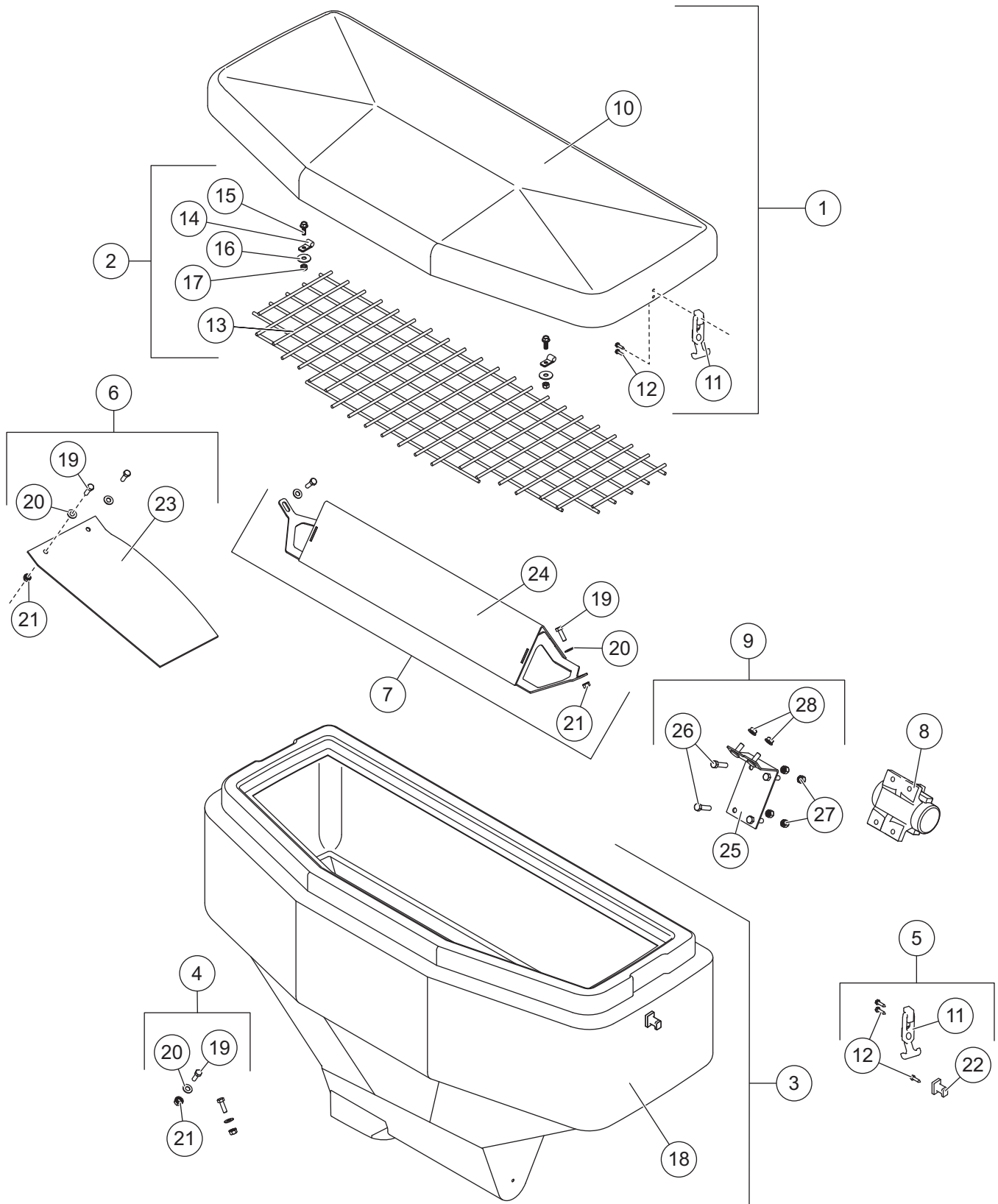


## Bulk Pro™ 1575 LOW-PROFILE TAILGATE SPREADER

<b>Spinner Assembly &amp; Material Chute</b>							
<b>Item</b>	<b>Part</b>	<b>Qty</b>	<b>Description</b>	<b>Item</b>	<b>Part</b>	<b>Qty</b>	<b>Description</b>
1	75901	1	Motor Kit	5	75662	1	Material Chute Kit
2	75640	1	Spinner Transmission Kit	6	75665	1	Deflector Kit
3	75663	1	CE Guard Kit	7	75672	1	Protector Foot Kit
4	75618	1	Spinner Kit				
<b>Item 1</b>				<b>75901 Motor Kit</b>			
8		1	Motor 12V DC, 3 x 3.8	9		2	#10-32 x 5/8 Serrated Flange Hex Cap Screw w/Patch
<b>Item 2</b>				<b>75640 Spinner Transmission Kit</b>			
10		1	Transmission 8:1 Worm Gear	12		4	1/4-20 x 3/4 Serrated Flange Hex Cap Screw SS
11	D6232	1	Motor Drive Coupler				
<b>Item 3</b>				<b>75663 CE Guard Kit</b>			
13		1	CE Guard Spacer	14		1	CE Guard
<b>Item 4</b>				<b>75618 Spinner Kit</b>			
15		1	Spinner 10" Poly	16		1	3/16 x 1-1/4 Detent Clevis Pin
<b>Item 5</b>				<b>75662 Material Chute Kit</b>			
17		1	Material Chute	20		1	1/2-13 Serrated Flange Nut
18		1	1/2-13 x 1-1/2 Hex Cap Screw	21		1	1/4 x 1-1/2 Driller w/R-M Washer
19		1	1/2 Flat Washer, Hardened	22		1	5/16 Flat Washer
<b>Item 6</b>				<b>75665 Deflector Kit</b>			
23		2	3/8-16 x 1 Serrated Flange Hex Cap Screw Type F	24		1	Deflector
<b>Item 7</b>				<b>75672 Protector Foot Kit</b>			
23		2	3/8-16 x 1 Serrated Flange Hex Cap Screw Type F	25		1	Spinner Protector Foot
SS = Stainless Steel							

# Bulk Pro™ 1875 LOW-PROFILE TAILGATE SPREADER

## HOPPER, VIBRATOR & INVERTED V





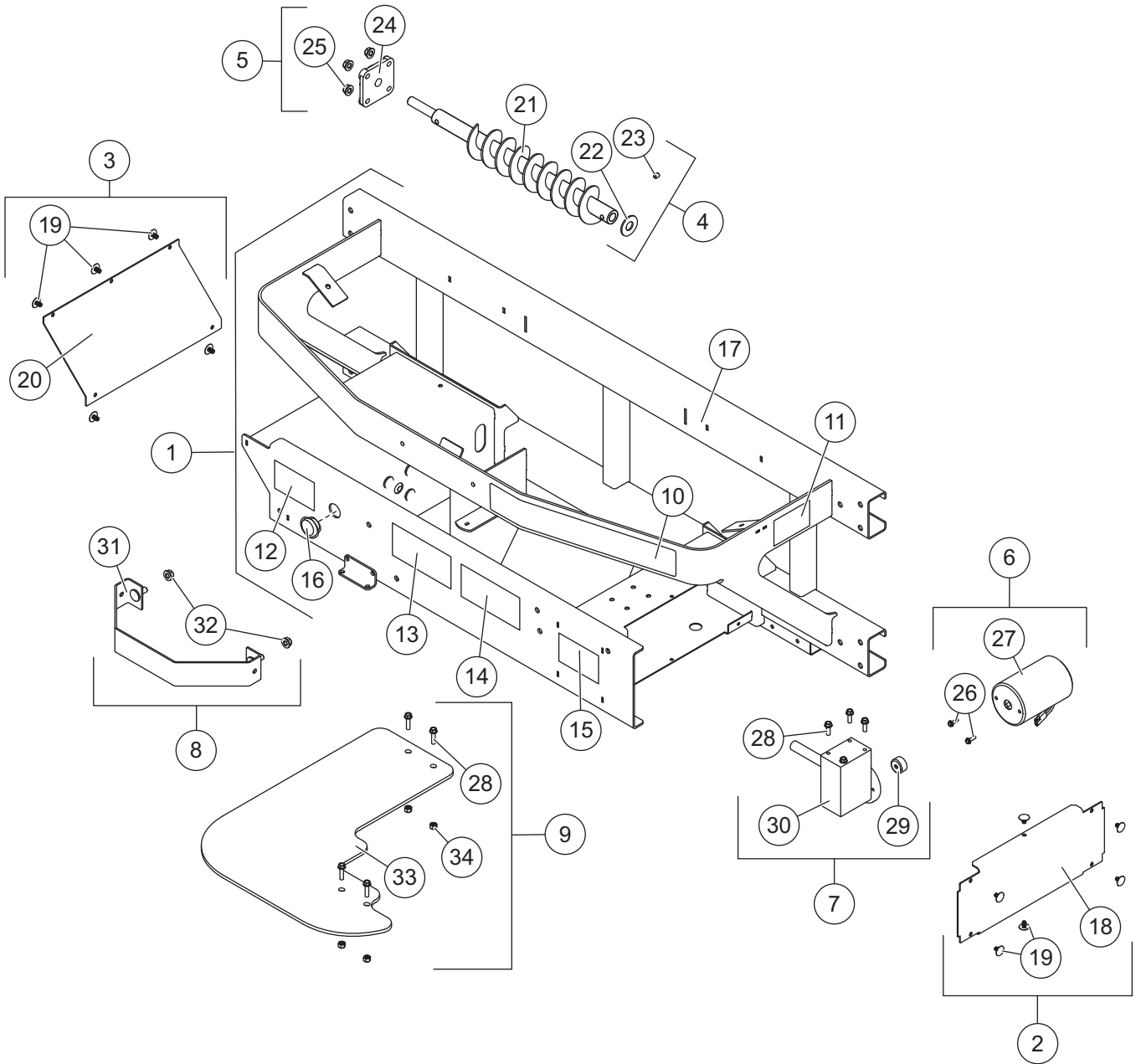
## Bulk Pro™ 1875 LOW-PROFILE TAILGATE SPREADER

<b>Hopper, Vibrator &amp; Inverted V</b>							
<b>Item</b>	<b>Part</b>	<b>Qty</b>	<b>Description</b>	<b>Item</b>	<b>Part</b>	<b>Qty</b>	<b>Description</b>
1	75677	1	Lid Kit	6	75681	1	Baffle Kit
2	75680	1	Top Screen Kit	7	75682	1	Inverted V Kit
3	75678	1	Hopper Kit, SP-1875*	8	75673	1	Vibrator – DC-80
4	75614	1	Hopper Hardware Kit	9	75683	1	Vibrator Mount Bracket Kit
5	75612	1	Hopper Strap Kit				
<b>Item 1</b>				<b>75677 Lid Kit</b>			
10		1	Lid Assembly	12		4	#10 x 3/4 Hex Washer-Head Tapping Screw SS
11		2	Flexible Draw Latch				
<b>Item 2</b>				<b>75680 Top Screen Kit</b>			
13		1	Top Screen 40 x 14	16		2	1/4 x 1 Washer
14		2	5/16 Clamp	17		2	1/4 Hex Locknut SS
15		2	1/4-20 x 3/4 Serrated Flange Hex Cap Screw SS				
<b>Item 3</b>				<b>75678 Hopper Kit, SP-1875*</b>			
4	75614	1	Hopper Hardware Kit	18		1	Hopper 8.75 ft <sup>3</sup> , Yellow
<b>Item 4</b>				<b>75614 Hopper Hardware Kit</b>			
19		2	5/16-18 x 1-1/4 Hex Cap Screw SS	21		2	5/16-18 Hex Locknut SS
20		2	3/8 Flat Washer SS				
<b>Item 5</b>				<b>75612 Hopper Strap Kit</b>			
11		2	Flexible Draw Latch	22		2	Latch Keeper
12		6	#10 x 3/4 Hex Washer-Head Tapping Screw SS				
<b>Item 6</b>				<b>75681 Baffle Kit</b>			
19		2	5/16-18 x 1-1/4 Hex Cap Screw SS	21		2	5/16-18 Hex Locknut SS
20		2	3/8 Flat Washer SS	23		1	Material Baffle
<b>Item 7</b>				<b>75682 Inverted V Kit</b>			
19		2	5/16-18 x 1-1/4 Hex Cap Screw SS	21		2	5/16-18 Hex Locknut SS
20		2	3/8 Flat Washer SS	24		1	Inverted V
<b>Item 9</b>				<b>75683 Vibrator Mount Bracket Kit</b>			
25		1	Mounting Bracket, Inverted V	27		4	3/8-16 Hex Locknut
26		4	3/8-16 x 1-1/2 Hex Cap Screw	28		2	3/8-16 Serrated Flange Hex Locknut
SS = Stainless Steel							

\* Hopper ships with two latch keepers installed.

# Bulk Pro™ 1875 LOW-PROFILE TAILGATE SPREADER

## FRAME, AUGER & SPINNER GUARD

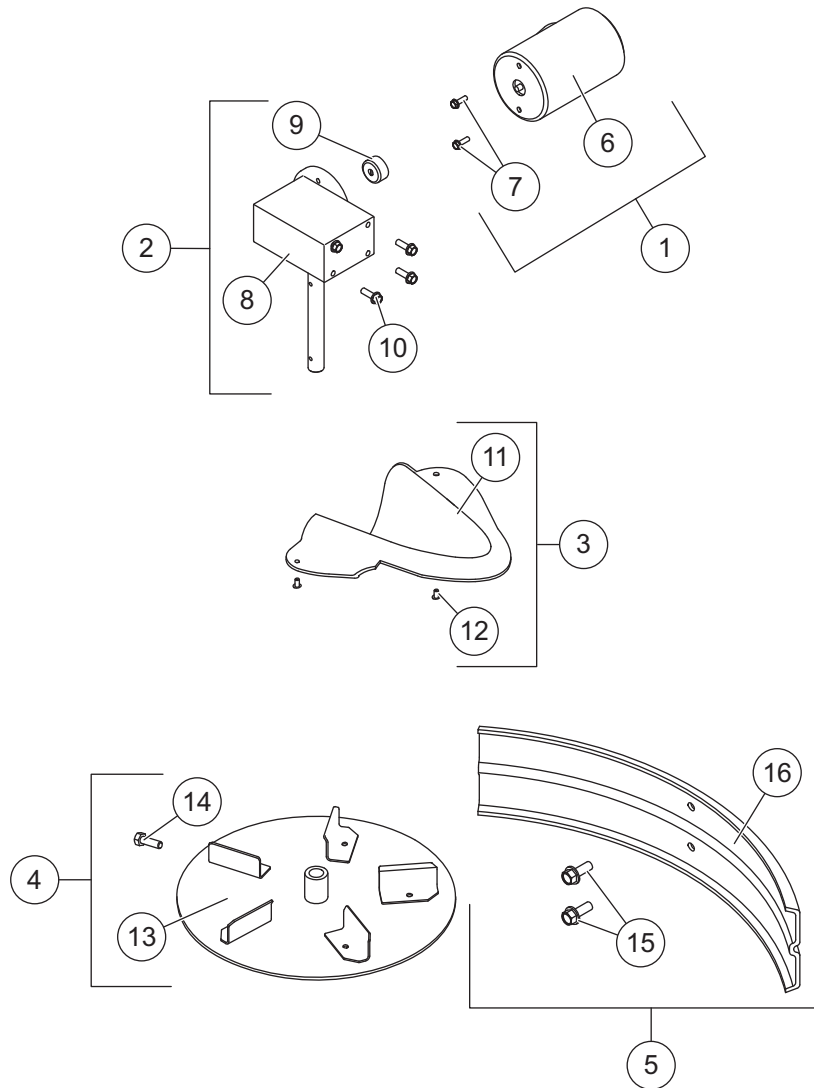


## Bulk Pro™ 1875 LOW-PROFILE TAILGATE SPREADER

Frame, Auger & Spinner Guard							
Item	Part	Qty	Description	Item	Part	Qty	Description
1	75684	1	Frame Kit, SP-1875	9	75690	1	Spinner Guard Kit
2	75687	1	Side Cover Kit	10	70438	1	Label – Bulk Pro 1875 TG Spreader
3	75560	1	Spinner Drive Cover Kit	11	75694	1	Label – Warning, Never Swing Spreader
4	75679	1	Auger Kit	12	75621	1	Label – Warning, Hands and Feet
5	75660	1	Bearing Kit	13	75669	1	Label – Warning, Rotating Auger
6	75901	1	Motor Kit	14	11100	1	Label – Warning, Rear Camera
7	75692	1	Auger Transmission Kit	15	75623	1	Label – Warning, Read Manual
8	75688	1	Trim Ring Kit				
<b>Item 1</b>				<b>75684 Frame Kit, SP-1875</b>			
10	70438	1	Label – Bulk Pro 1875 TG Spreader	14	11100	1	Label – Warning, Rear Camera
11	75694	1	Label – Warning, Never Swing Spreader	15	75623	1	Label – Warning, Read Manual
12	75621	1	Label – Warning, Hands and Feet	16	75689	1	Bearing Access Cover
13	75669	1	Label – Warning, Rotating Auger	17		1	Main Frame
<b>Item 2</b>				<b>75687 Side Cover Kit</b>			
18		1	Drive Cover	19	D6467	6	1/4 x 3/4 x 1/2 Push Retainer Nylon
<b>Item 3</b>				<b>75560 Spinner Drive Cover Kit</b>			
19	D6467	6	1/4 x 3/4 x 1/2 Push Retainer Nylon	20		1	Spinner Drive Cover
<b>Item 4</b>				<b>75679 Auger Kit</b>			
21		1	2-5/8 x 20 x 1-3/8 Auger	23		1	5/16-18 x 3/8 Socket Head Set Screw
22		1	5/8 Flat Washer Nylon				
<b>Item 5</b>				<b>75660 Bearing Kit</b>			
24	68662	1	5/8 Bearing 4-Bolt Flange	25		4	3/8-16 Serrated Flange Nut
<b>Item 6</b>				<b>75901 Motor Kit</b>			
26		2	#10-32 x 5/8 Serrated Flange Hex Cap Screw w/Patch	27		1	Motor 12V DC, 3 x 3.8
<b>Item 7</b>				<b>75692 Auger Transmission Kit</b>			
28		4	1/4-20 x 3/4 Serrated Flange Hex Cap Screw SS	29	D6232	1	Motor Drive Coupler
				30		1	Transmission 20:1 Worm Gear
<b>Item 8</b>				<b>75688 Trim Ring Kit</b>			
31		1	Trim Ring	32		2	3/8-16 Hex Nut Serrated Flange
<b>Item 9</b>				<b>75690 Spinner Guard Kit</b>			
28		4	1/4-20 x 3/4 Serrated Flange Hex Cap Screw SS	33		1	Spinner Guard
				34		4	1/4-20 Locknut
SS = Stainless Steel							

# Bulk Pro™ 1875 LOW-PROFILE TAILGATE SPREADER

## SPINNER, CHUTE & DEFLECTOR

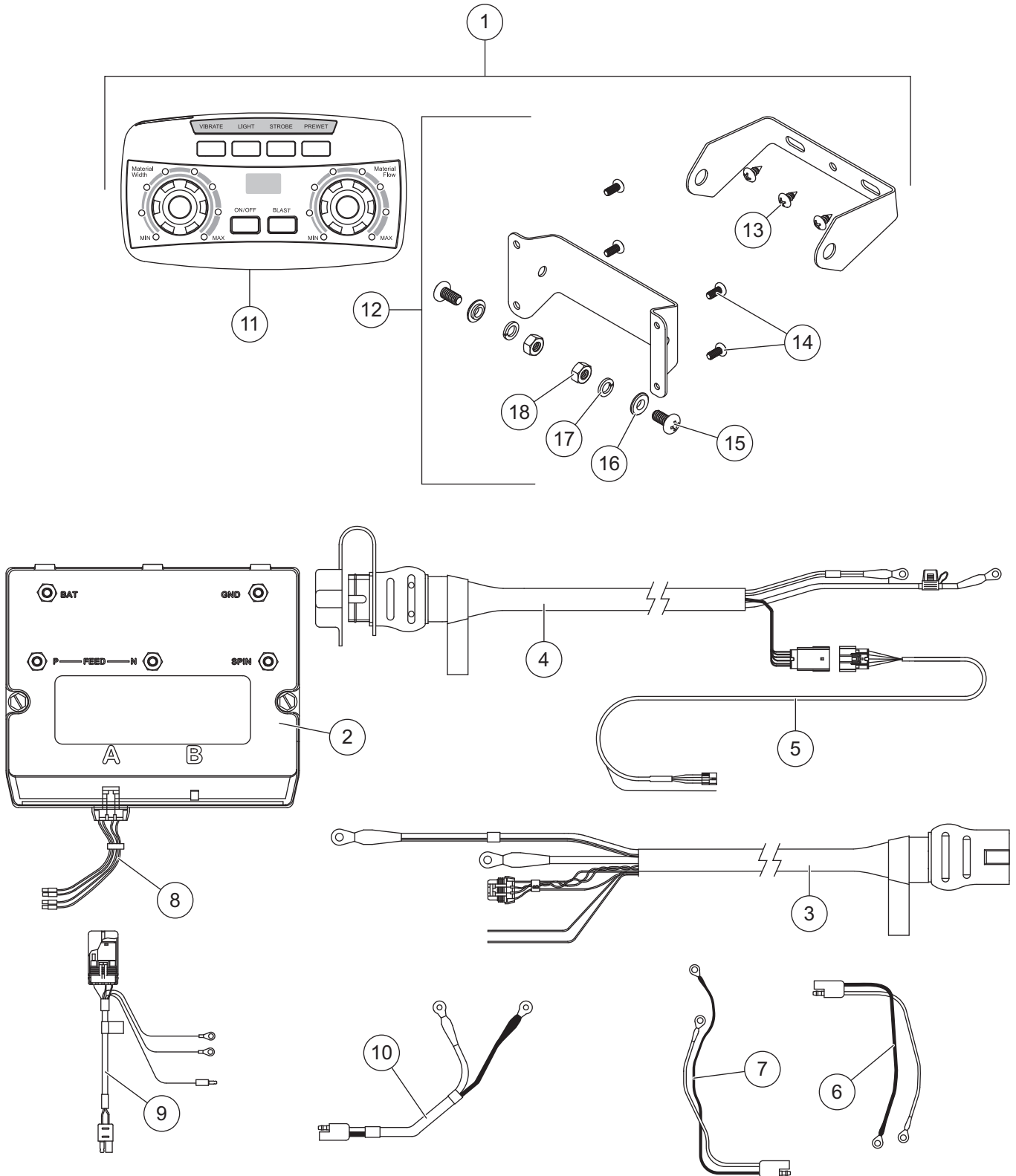


## Bulk Pro™ 1875 LOW-PROFILE TAILGATE SPREADER

<b>Spinner, Chute &amp; Deflector</b>							
<b>Item</b>	<b>Part</b>	<b>Qty</b>	<b>Description</b>	<b>Item</b>	<b>Part</b>	<b>Qty</b>	<b>Description</b>
1	75901	1	Motor Kit	4	75685	1	Spinner Kit
2	75686	1	Spinner Transmission Kit	5	75665	1	Deflector Kit
3	75691	1	Material Chute Kit				
<b>Item 1</b>				<b>75901 Motor Kit</b>			
6		1	Motor 12V DC, 3 x 3.8	7		2	#10-32 x 5/8 Serrated Flange Cap Screw SS
<b>Item 2</b>				<b>75686 Spinner Transmission Kit</b>			
8		1	Transmission 8:1 Worm Gear	10		4	1/4-20 x 3/4 Serrated Flange Cap Screw SS
9	D6232	1	Motor Drive Coupler				
<b>Item 3</b>				<b>75691 Material Chute Kit</b>			
11		1	Material Chute	12		3	3/16 x 0.354 Rivet – Black Aluminum
<b>Item 4</b>				<b>75685 Spinner Kit</b>			
13		1	Spinner 12" Steel	14		1	5/16-18 x 1/2 Hex Cap Screw
<b>Item 5</b>				<b>75665 Deflector Kit</b>			
15		2	3/8-16 x 1 Serrated Flange Hex Cap Screw Type F	16		1	Deflector
SS = Stainless Steel							

# Bulk Pro™ 1575, Bulk Pro 1875 LOW-PROFILE TAILGATE SPREADER

## ELECTRICAL COMPONENTS



# Bulk Pro™ 1575, Bulk Pro 1875 LOW-PROFILE TAILGATE SPREADER

Electrical Components							
Item	Part	Qty	Description	Item	Part	Qty	Description
1	52460	1	Spreader Control Kit	7	78399	1	Spinner Motor Harness Rev Pin-Out (SP-1875-1)
2	52375	1	Spreader Module, 5-Post	8	69893	1	10-Pin Connector w/Four Wires
3	72092	1	Spreader Harness, 7-Pin	9	78382	1	Vibrator Harness Assembly
4	72090	1	Vehicle Harness, 7-Pin	10	78397	1	Auger Motor Harness
5	69902	1	Vehicle Control Harness				
6	78398	1	Spinner Motor Harness (SP-1575-1)				
<b>Item 1</b>				<b>52460 Spreader Control Kit</b>			
11	52462	1	Spreader Control	12	52345	1	Control Bracket Kit
<b>Item 12</b>				<b>52345 Control Bracket Kit</b>			
13		3	#10 x 3/8 Pan Head Tapping Screw SS	16		2	1/4 Shoulder Washer SS – Black
14		4	#8 x 3/8 Pan Head Machine Screw	17		2	1/4 Lock Washer SS
15		2	1/4-20 x 1/2 Pan Head Machine Screw SS – Black	18		2	1/4-20 Hex Nut G5 – Black
SS = Stainless Steel				G = Grade			



 A DIVISION OF DOUGLAS DYNAMICS, LLC

Copyright © 2018 Douglas Dynamics, LLC. All rights reserved. This material may not be reproduced or copied, in whole or in part, in any printed, mechanical, electronic, film, or other distribution and storage media, without the written consent of TrynEx International, LLC. Authorization to photocopy items for internal or personal use by TrynEx International outlets or spreader owner is granted.

TrynEx International reserves the right under its product improvement policy to change construction or design details and furnish equipment when so altered without reference to illustrations or specifications used. TrynEx International or the vehicle manufacturer may require or recommend optional equipment for spreaders. Do not exceed vehicle ratings with a spreader. Patent pending. TrynEx International offers a limited warranty for all spreaders and accessories. See separately printed page for this important information. The following are registered (®) or unregistered (™) trademarks of Douglas Dynamics, LLC: Bulk Pro™, SnowEx®.

**Printed in U.S.A.**