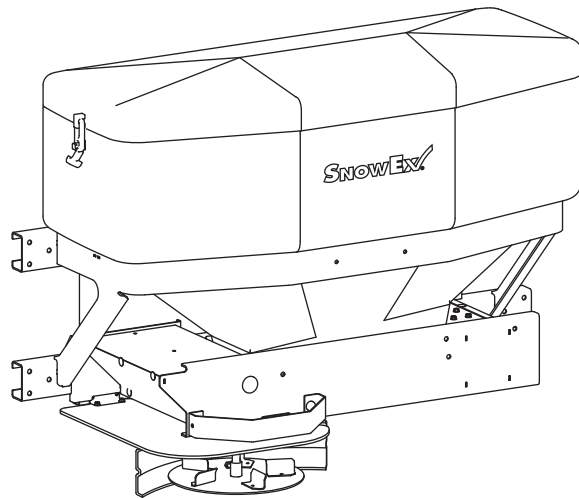
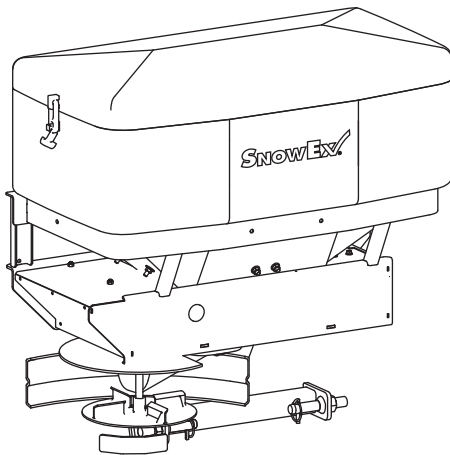




Bulk Pro™ Low-Profile Tailgate Spreaders

Hopper and Drive Components
SP-1575-1, SP-1875-1

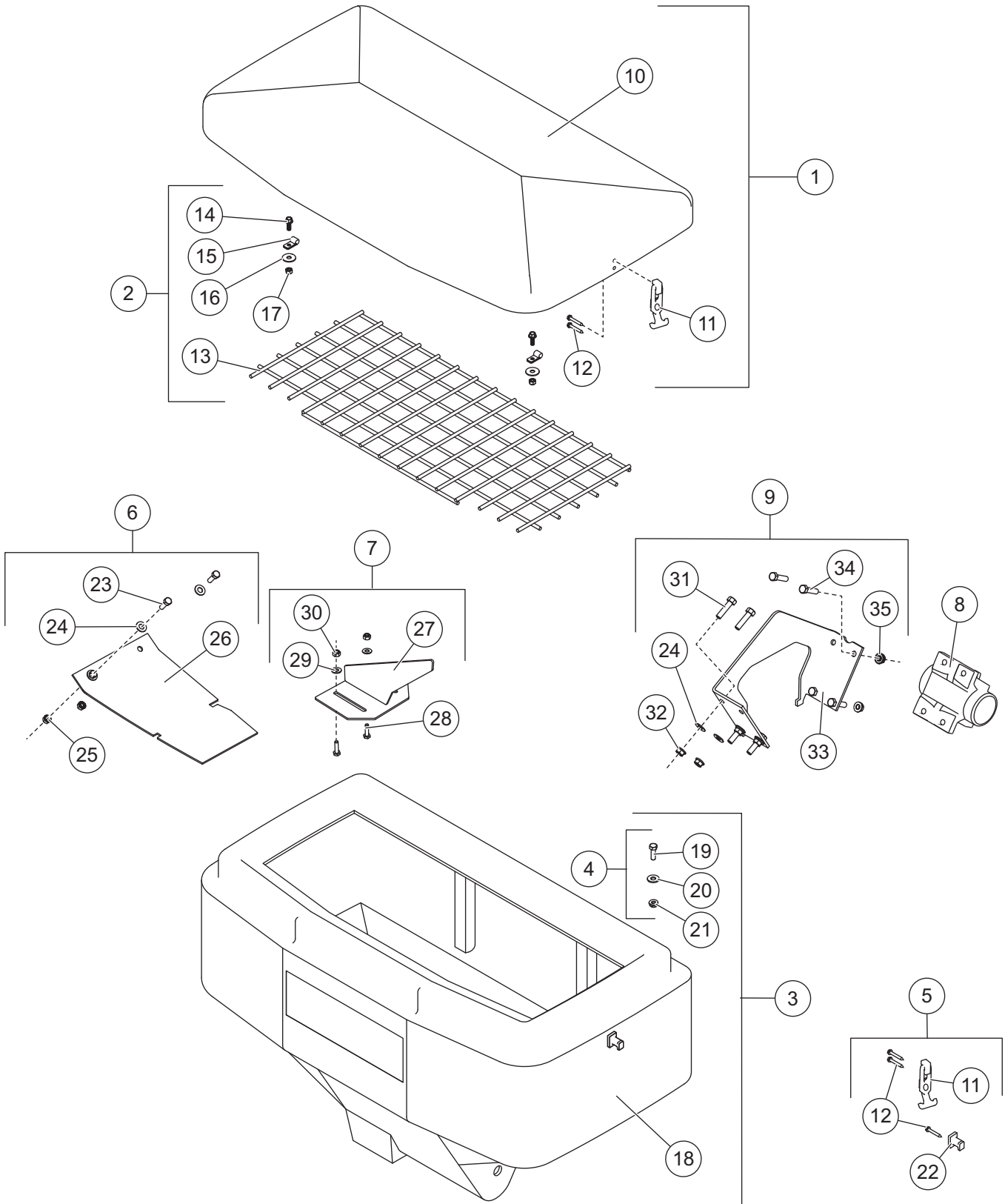
Parts List



This parts list is for SnowEx® Bulk Pro spreaders
with serial numbers beginning with 170504 and higher.

Bulk Pro™ 1575 LOW-PROFILE TAILGATE SPREADER

HOPPER, VIBRATOR & BAFFLE



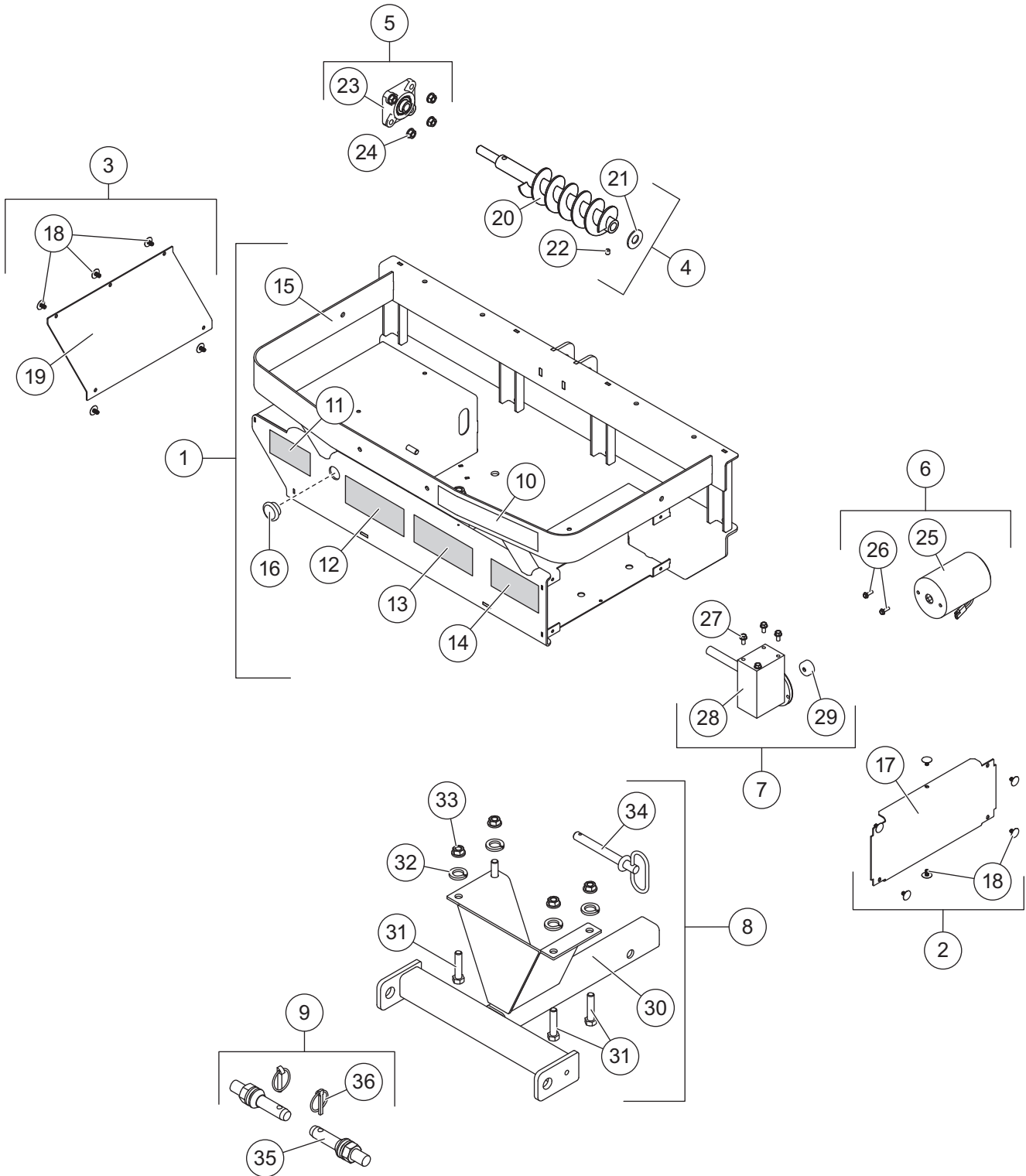
Bulk Pro™ 1575 LOW-PROFILE TAILGATE SPREADER

Hopper, Vibrator & Baffle							
Item	Part	Qty	Description	Item	Part	Qty	Description
1	75630	1	Lid Kit	6	75657	1	Baffle Kit
2	75655	1	Top Screen Kit 30 x 14	7	83211	1	Baffle Extension Kit
3	75652	1	Hopper Kit, SP-1575*	8	75673	1	Vibrator – DC-80
4	75659	1	Hopper Hardware Kit	9	75658	1	Vibrator Mount Kit
5	75612	2	Hopper Strap Kit				
Item 1				75630 Lid Kit			
10		1	Lid Assembly	12		4	#10 x 3/4 Hex Washer-Head Tapping Screw SS
11		2	Flexible Draw Latch				
Item 2				75655 Top Screen Kit 30 x 14			
13		1	Top Screen 30 x 14	15		2	5/16 Clamp
14		2	1/4-20 x 3/4 Serrated Flange Hex Cap Screw SS	16		2	1/4 x 1 Washer
				17		2	1/4 Hex Locknut SS
Item 3				75652 Hopper Kit, SP-1575*			
4	75659	1	Hopper Hardware Kit	18		1	Hopper 5.25 ft ³ , Yellow
Item 4				75659 Hopper Hardware Kit			
19		4	5/16-18 x 1 Hex Cap Screw	21		4	5/16-18 Serrated Flange Locknut
20		4	5/16 Flat Washer				
Item 5				75612 Hopper Strap Kit			
11		2	Flexible Draw Latch	22		2	Latch Keeper
12		6	#10 x 3/4 Hex Washer-Head Tapping Screw SS				
Item 6				75657 Baffle Kit			
23		2	5/16-18 x 1-1/4 Hex Cap Screw SS	25		2	5/16-18 Hex Locknut SS
24		2	3/8 Flat Washer SS	26		1	Material Baffle SP-1575
Item 7				83211 Baffle Extension Kit			
27	83216	1	Baffle Extension	29		2	1/4 Flat Washer Type A Narrow
28		2	1/4-20 x 1 Hex Cap Screw SS	30		2	1/4-20 Hex Locknut SS
Item 9				75658 Vibrator Mount Kit			
24		4	3/8 Flat Washer SS	33		1	Vibrator Mount Bracket
31		4	3/8-16 x 1 Hex Cap Screw SS	34		4	3/8-16 x 1-1/2 Hex Cap Screw
32		4	3/8-16 Serrated Flange Nut	35		4	3/8-16 Hex Locknut
SS = Stainless Steel							

* Hopper ships with two latch keepers installed.

Bulk Pro™ 1575 LOW-PROFILE TAILGATE SPREADER

FRAME, AUGER & HITCH



Bulk Pro™ 1575 LOW-PROFILE TAILGATE SPREADER

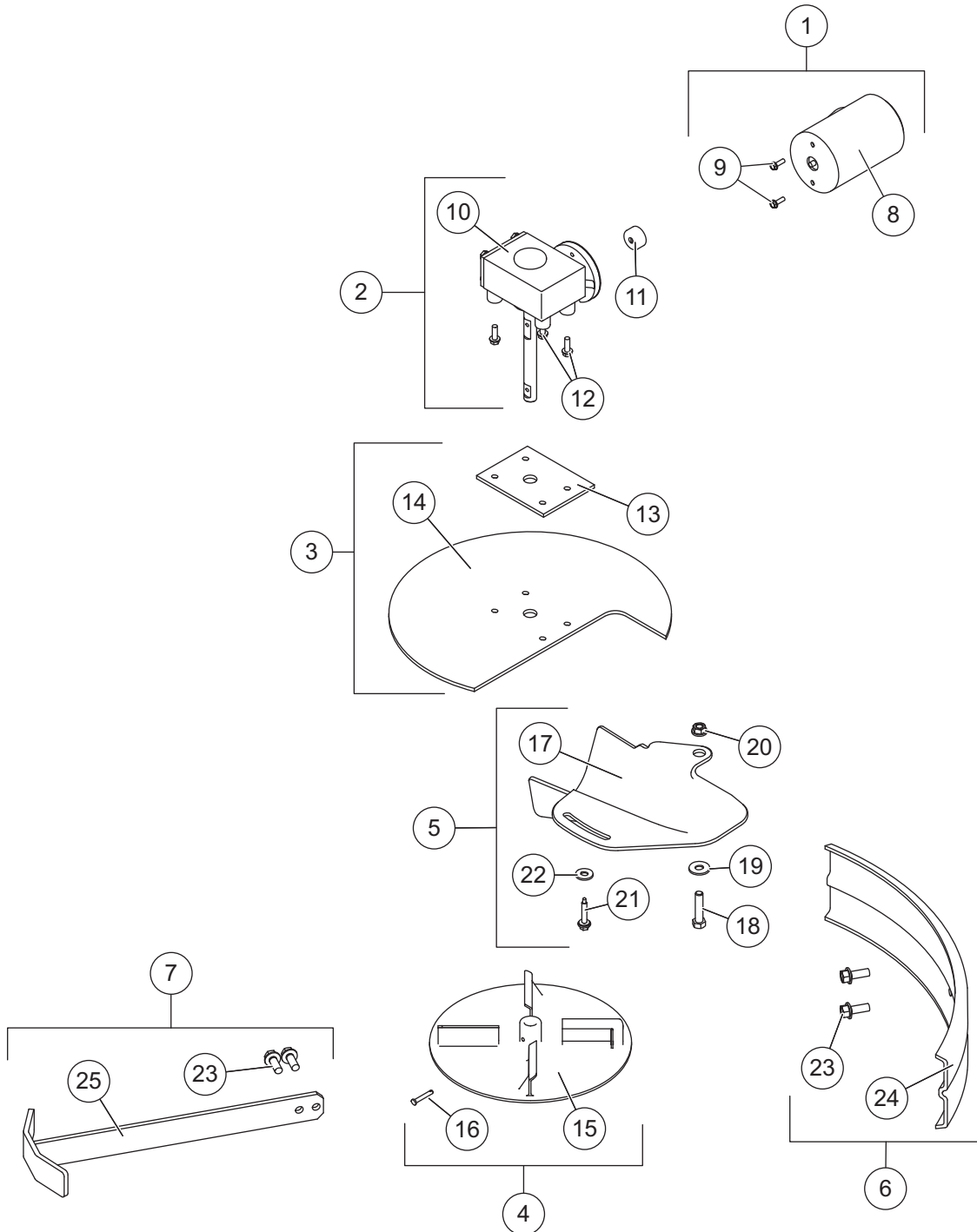
Frame, Auger & Hitch							
Item	Part	Qty	Description	Item	Part	Qty	Description
1	75653	1	Frame Kit	6	75901	1	Motor Kit
2	75667	1	Side Cover Kit	7	75670	1	Auger Transmission Kit
3	75558	1	Spinner Drive Cover Kit	8	75654	1	Hitch Kit
4	75661	1	Auger Kit	9	75666	1	Lift Arm Pin Kit
5	75660	1	Bearing Kit				
Item 1				75653 Frame Kit			
10	70439	1	Label – Bulk Pro 1575, TG Spreader	14	75623	1	Label – Warning, Read Manual
11	75621	1	Label – Warning, Hands and Feet	15		1	Main Frame
12	75669	1	Label – Warning, Rotating Auger	16	75689*	1	Bearing Access Cover
13	11100	1	Label – Warning, Rear Camera				
Item 2				75667 Side Cover Kit			
17		1	Drive Cover	18	D6467	6	1/4 x 3/4 x 1/2 Push Retainer Nylon
Item 3				75558 Spinner Drive Cover Kit			
18	D6467	6	1/4 x 3/4 x 1/2 Push Retainer Nylon	19		1	Spinner Drive Cover
Item 4				75661 Auger Kit			
20		1	2-5/8 x 14 x 1-3/8 Auger	22		1	5/16-18 x 3/8 Socket Head Set Screw
21		1	5/8 Flat Washer Nylon				
Item 5				75660 Bearing Kit			
23	68662	1	5/8 Bearing 4-Bolt Flange	24		4	3/8-16 Serrated Flange Nut
Item 6				75901 Motor Kit			
25		1	Motor 12V DC, 3 x 3.8	26		2	#10-32 x 5/8 Serrated Flange Hex Cap Screw w/Patch
Item 7				75670 Auger Transmission Kit			
27		4	1/4-20 x 3/4 Serrated Flange Hex Cap Screw SS	28		1	Transmission 30:1 Worm Gear
				29	D6232	1	Motor Drive Coupler
Item 8				75654 Hitch Kit			
30		1	Hitch	33		4	1/2-13 Serrated Flange Nut
31		4	1/2-13 x 1-1/2 Hex Cap Screw	34	D4136	1	Hitch Pin
32		4	1/2 Split Lock Washer				
Item 9				75666 Lift Arm Pin Kit			
35		2	7/8 x 5-1/2 Lift Arm Pin	36		2	5/16 x 1-9/16 Linchpin

SS = Stainless Steel

* Not present on all model 1575 spreaders. To add a bearing access hole and cover on an existing frame, order accessory kit 76711.

Bulk Pro™ 1575 LOW-PROFILE TAILGATE SPREADER

SPINNER ASSEMBLY & MATERIAL CHUTE

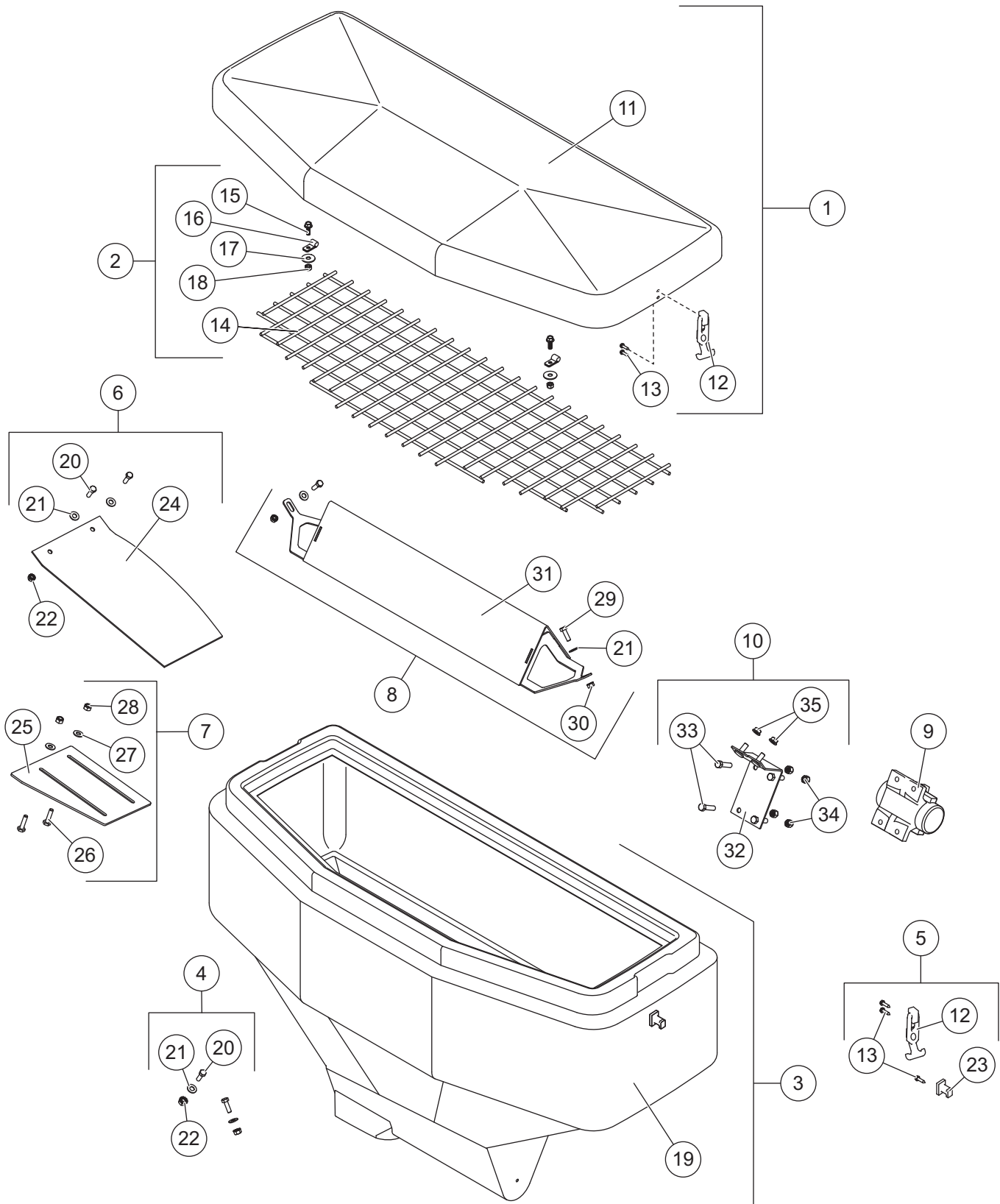


Bulk Pro™ 1575 LOW-PROFILE TAILGATE SPREADER

Spinner Assembly & Material Chute							
Item	Part	Qty	Description	Item	Part	Qty	Description
1	75901	1	Motor Kit	5	75662	1	Material Chute Kit
2	75640	1	Spinner Transmission Kit	6	75665	1	Deflector Kit
3	75663	1	CE Guard Kit	7	75672	1	Protector Foot Kit
4	75618	1	Spinner Kit				
Item 1				75901 Motor Kit			
8		1	Motor 12V DC, 3 x 3.8	9		2	#10-32 x 5/8 Serrated Flange Hex Cap Screw w/Patch
Item 2				75640 Spinner Transmission Kit			
10		1	Transmission 8:1 Worm Gear	12		4	1/4-20 x 3/4 Serrated Flange Hex Cap Screw SS
11	D6232	1	Motor Drive Coupler				
Item 3				75663 CE Guard Kit			
13		1	CE Guard Spacer	14		1	CE Guard
Item 4				75618 Spinner Kit			
15		1	Spinner 10" Poly	16		1	3/16 x 1-1/4 Detent Clevis Pin
Item 5				75662 Material Chute Kit			
17		1	Material Chute	20		1	1/2-13 Serrated Flange Nut
18		1	1/2-13 x 1-1/2 Hex Cap Screw	21		1	1/4 x 1-1/2 Driller w/R-M Washer
19		1	1/2 Flat Washer, Hardened	22		1	5/16 Flat Washer
Item 6				75665 Deflector Kit			
23		2	3/8-16 x 1 Serrated Flange Hex Cap Screw Type F	24		1	Deflector
Item 7				75672 Protector Foot Kit			
23		2	3/8-16 x 1 Serrated Flange Hex Cap Screw Type F	25		1	Spinner Protector Foot
SS = Stainless Steel							

Bulk Pro™ 1875 LOW-PROFILE TAILGATE SPREADER

HOPPER, VIBRATOR & INVERTED V



Bulk Pro™ 1875 LOW-PROFILE TAILGATE SPREADER

Hopper, Vibrator & Inverted V							
Item	Part	Qty	Description	Item	Part	Qty	Description
1	75677	1	Lid Kit	6	75681	1	Baffle Kit
2	75680	1	Top Screen Kit	7	83213	1	Baffle Extension Kit
3	75678	1	Hopper Kit, SP-1875*	8	75682	1	Inverted V Kit
4	75614	1	Hopper Hardware Kit	9	75673	1	Vibrator – DC-80
5	75612	1	Hopper Strap Kit	10	75683	1	Vibrator Mount Bracket Kit
Item 1				75677 Lid Kit			
11		1	Lid Assembly	13		4	#10 x 3/4 Hex Washer-Head Tapping Screw SS
12		2	Flexible Draw Latch				
Item 2				75680 Top Screen Kit			
14		1	Top Screen 40 x 44	16		2	5/16 Clamp
15		2	1/4-20 x 3/4 Serrated Flange Hex Cap Screw SS	17	D5952	2	1/4 x 1 Fender Washer SS
				18		2	1/4 Hex Locknut SS
Item 3				75678 Hopper Kit, SP-1875*			
4	75614	1	Hopper Hardware Kit	19		1	Hopper 8.75 ft ³ – Yellow
Item 4				75614 Hopper Hardware Kit			
20		2	5/16-18 x 1-1/4 Hex Cap Screw SS	22		2	5/16-18 Hex Locknut SS
21		2	3/8 Flat Washer SS				
Item 5				75612 Hopper Strap Kit			
12		2	Flexible Draw Latch	23		2	Latch Keeper
13		6	#10 x 3/4 Hex Washer-Head Tapping Screw SS				
Item 6				75681 Baffle Kit			
20		2	5/16-18 x 1-1/4 Hex Cap Screw SS	22		2	5/16-18 Hex Locknut SS
21		2	3/8 Flat Washer SS	24		1	Material Baffle
Item 7				83213 Baffle Extension Kit			
25	83214	1	Baffle Extension Plate	27		2	1/4 Flat Washer Type A Narrow
26		2	1/4-20 x 1 Hex Cap Screw SS	28		2	1/4-20 Hex Locknut SS
Item 8				75682 Inverted V Kit			
21		2	3/8 Flat Washer SS	30		2	5/16-18 Serrated Flange Hex Locknut
29		2	5/16-18 x 1 Hex Cap Screw G5	31		1	Inverted V
Item 10				75683 Vibrator Mount Bracket Kit			
32		1	Mounting Bracket, Inverted V	34		4	3/8-16 Hex Locknut
33		4	3/8-16 x 1-1/2 Hex Cap Screw	35		2	3/8-16 Serrated Flange Hex Locknut
SS = Stainless Steel				G = Grade			

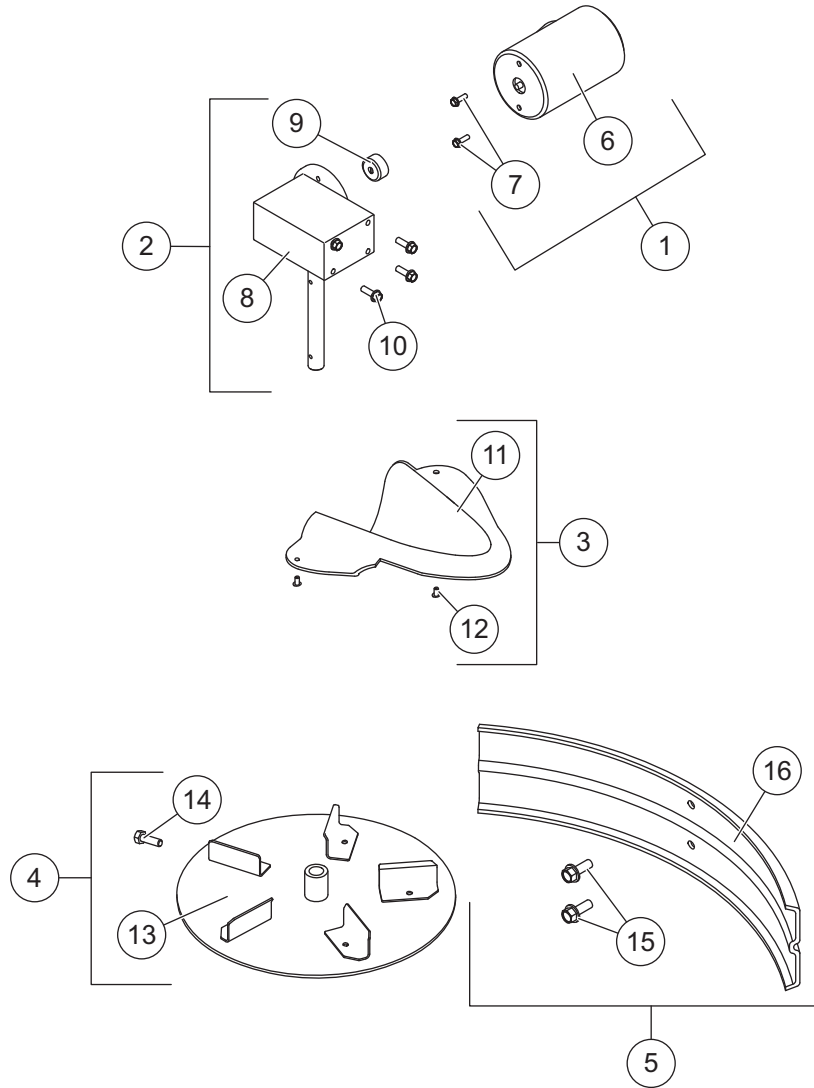
* Hopper ships with two latch keepers installed.

Bulk Pro™ 1875 LOW-PROFILE TAILGATE SPREADER

Frame, Auger & Spinner Guard							
Item	Part	Qty	Description	Item	Part	Qty	Description
1	75684	1	Frame Kit, SP-1875	9	75690	1	Spinner Guard Kit
2	75687	1	Side Cover Kit	10	70438	1	Label – Bulk Pro 1875 TG Spreader
3	75560	1	Spinner Drive Cover Kit	11	75694	1	Label – Warning, Never Swing Spreader
4	75679	1	Auger Kit	12	75621	1	Label – Warning, Hands and Feet
5	75660	1	Bearing Kit	13	75669	1	Label – Warning, Rotating Auger
6	75901	1	Motor Kit	14	11100	1	Label – Warning, Rear Camera
7	75692	1	Auger Transmission Kit	15	75623	1	Label – Warning, Read Manual
8	75688	1	Trim Ring Kit				
Item 1				75684 Frame Kit, SP-1875			
10	70438	1	Label – Bulk Pro 1875 TG Spreader	14	11100	1	Label – Warning, Rear Camera
11	75694	1	Label – Warning, Never Swing Spreader	15	75623	1	Label – Warning, Read Manual
12	75621	1	Label – Warning, Hands and Feet	16	75689	1	Bearing Access Cover
13	75669	1	Label – Warning, Rotating Auger	17		1	Main Frame
Item 2				75687 Side Cover Kit			
18		1	Drive Cover	19	D6467	6	1/4 x 3/4 x 1/2 Push Retainer Nylon
Item 3				75560 Spinner Drive Cover Kit			
19	D6467	6	1/4 x 3/4 x 1/2 Push Retainer Nylon	20		1	Spinner Drive Cover
Item 4				75679 Auger Kit			
21		1	2-5/8 x 20 x 1-3/8 Auger	23		1	5/16-18 x 3/8 Socket Head Set Screw
22		1	5/8 Flat Washer Nylon				
Item 5				75660 Bearing Kit			
24	68662	1	5/8 Bearing 4-Bolt Flange	25		4	3/8-16 Serrated Flange Nut
Item 6				75901 Motor Kit			
26		2	#10-32 x 5/8 Serrated Flange Hex Cap Screw w/Patch	27		1	Motor 12V DC, 3 x 3.8
Item 7				75692 Auger Transmission Kit			
28		4	1/4-20 x 3/4 Serrated Flange Hex Cap Screw SS	29	D6232	1	Motor Drive Coupler
				30		1	Transmission 20:1 Worm Gear
Item 8				75688 Trim Ring Kit			
31		1	Trim Ring	32		2	3/8-16 Serrated Flange Hex Nut
Item 9				75690 Spinner Guard Kit			
28		4	1/4-20 x 3/4 Serrated Flange Hex Cap Screw SS	33		1	Spinner Guard
				34		4	1/4-20 Locknut
SS = Stainless Steel							

Bulk Pro™ 1875 LOW-PROFILE TAILGATE SPREADER

SPINNER, CHUTE & DEFLECTOR

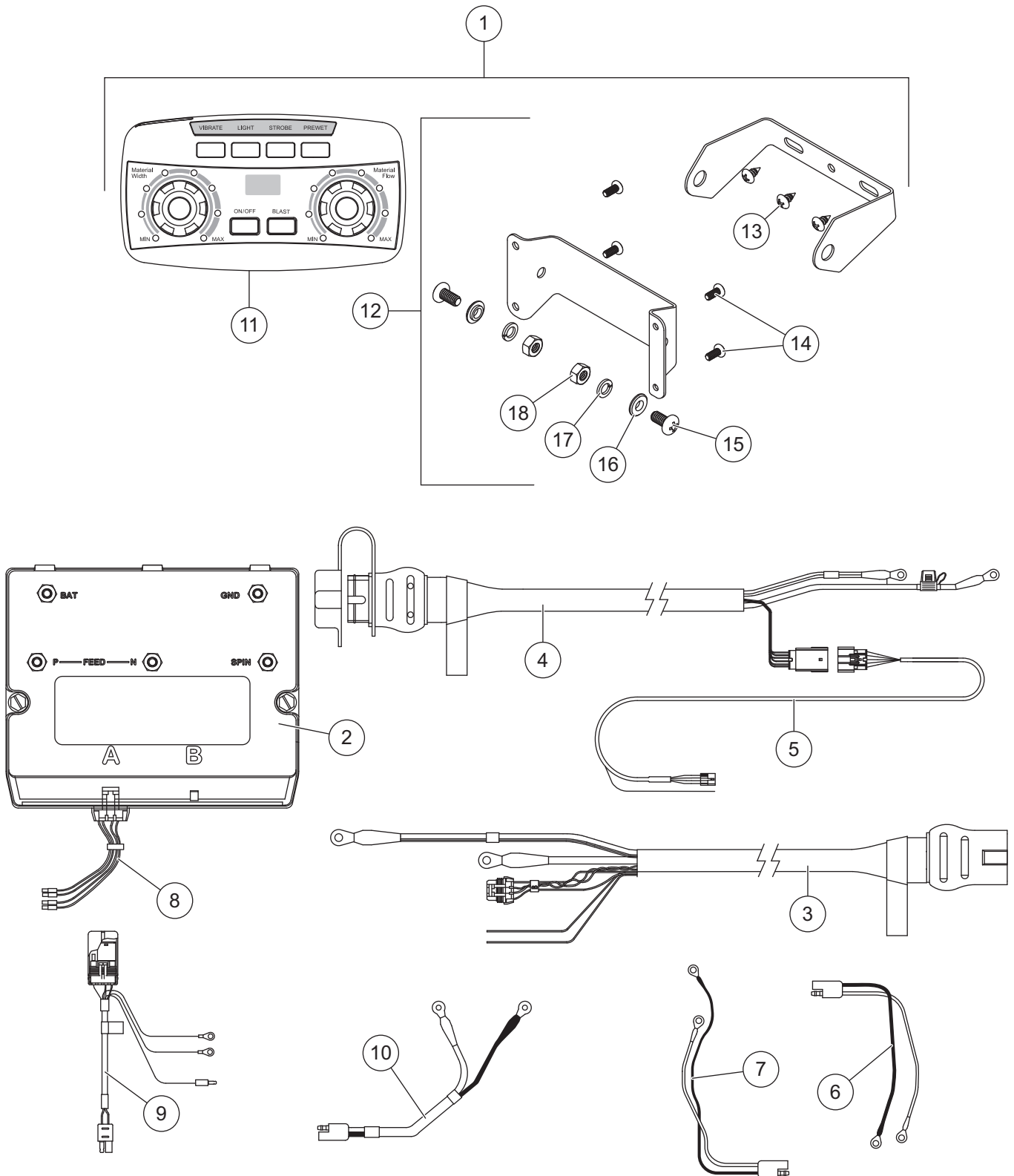


Bulk Pro™ 1875 LOW-PROFILE TAILGATE SPREADER

Spinner, Chute & Deflector							
Item	Part	Qty	Description	Item	Part	Qty	Description
1	75901	1	Motor Kit	4	75685	1	Spinner Kit
2	75686	1	Spinner Transmission Kit	5	75665	1	Deflector Kit
3	75691	1	Material Chute Kit				
Item 1				75901 Motor Kit			
6		1	Motor 12V DC, 3 x 3.8	7		2	#10-32 x 5/8 Serrated Flange Cap Screw SS
Item 2				75686 Spinner Transmission Kit			
8		1	Transmission 8:1 Worm Gear	10		4	1/4-20 x 3/4 Serrated Flange Cap Screw SS
9	D6232	1	Motor Drive Coupler				
Item 3				75691 Material Chute Kit			
11		1	Material Chute	12		3	3/16 x 0.354 Rivet
Item 4				75685 Spinner Kit			
13		1	Spinner 12", Steel	14		1	5/16-18 x 1/2 Hex Cap Screw
Item 5				75665 Deflector Kit			
15		2	3/8-16 x 1 Serrated Flange Hex Cap Screw Type F	16		1	Deflector
SS = Stainless Steel							

Bulk Pro™ 1575, Bulk Pro 1875 LOW-PROFILE TAILGATE SPREADER

ELECTRICAL COMPONENTS



Bulk Pro™ 1575, Bulk Pro 1875 LOW-PROFILE TAILGATE SPREADER

Electrical Components							
Item	Part	Qty	Description	Item	Part	Qty	Description
1	52460	1	Spreader Control Kit	7	78399	1	Spinner Motor Harness Rev Pin-Out (SP-1875-1)
2	52375	1	Spreader Module, 5-Post	8	69893	1	10-Pin Connector w/Four Wires
3	72092	1	Spreader Harness, 7-Pin	9	78382	1	Vibrator Harness Assembly
4	72090	1	Vehicle Harness, 7-Pin	10	78397	1	Auger Motor Harness
5	69902	1	Vehicle Control Harness				
6	78398	1	Spinner Motor Harness (SP-1575-1)				
Item 1				52460 Spreader Control Kit			
11	52462	1	Spreader Control	12	52345	1	Control Bracket Kit
Item 12				52345 Control Bracket Kit			
13		3	#10 x 3/8 Pan Head Tapping Screw SS	16		2	1/4 Shoulder Washer SS – Black
14		4	#8 x 3/8 Pan Head Machine Screw	17		2	1/4 Lock Washer SS
15		2	1/4-20 x 1/2 Pan Head Machine Screw SS – Black	18		2	1/4-20 Hex Nut G5 – Black
SS = Stainless Steel				G = Grade			



 A DIVISION OF DOUGLAS DYNAMICS, LLC

Copyright © 2018 Douglas Dynamics, LLC. All rights reserved. This material may not be reproduced or copied, in whole or in part, in any printed, mechanical, electronic, film, or other distribution and storage media, without the written consent of TrynEx International, LLC. Authorization to photocopy items for internal or personal use by TrynEx International outlets or spreader owner is granted.

TrynEx International reserves the right under its product improvement policy to change construction or design details and furnish equipment when so altered without reference to illustrations or specifications used. TrynEx International or the vehicle manufacturer may require or recommend optional equipment for spreaders. Do not exceed vehicle ratings with a spreader. Patent pending. TrynEx International offers a limited warranty for all spreaders and accessories. See separately printed page for this important information. The following are registered (®) or unregistered (™) trademarks of Douglas Dynamics, LLC: Bulk Pro™, SnowEx®.

Printed in U.S.A.