



PRO-FLO™ 525

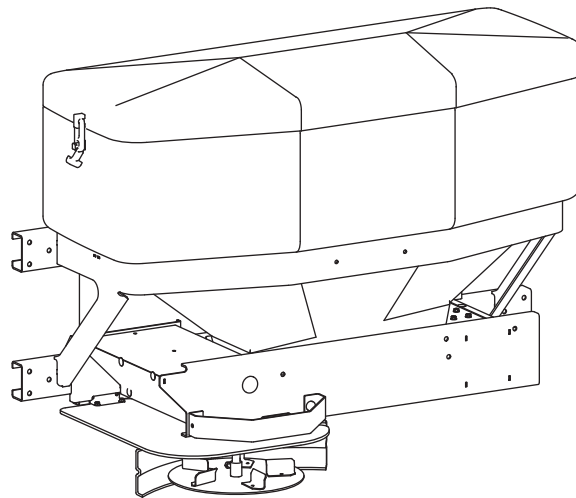
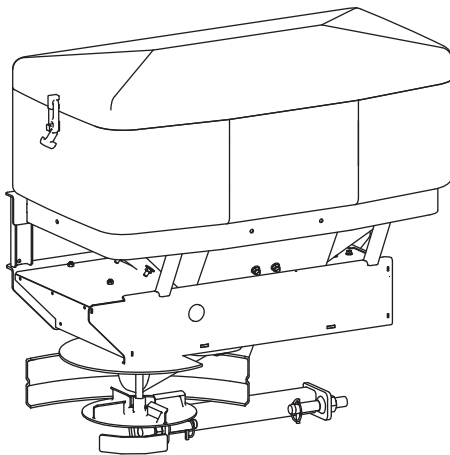
PRO-FLO™ 900

Hopper and Drive Components

**PRO-FLO™ 525, PRO-FLO™ 900
Low-Profile Tailgate Spreader**

#91800-1, 91850-1

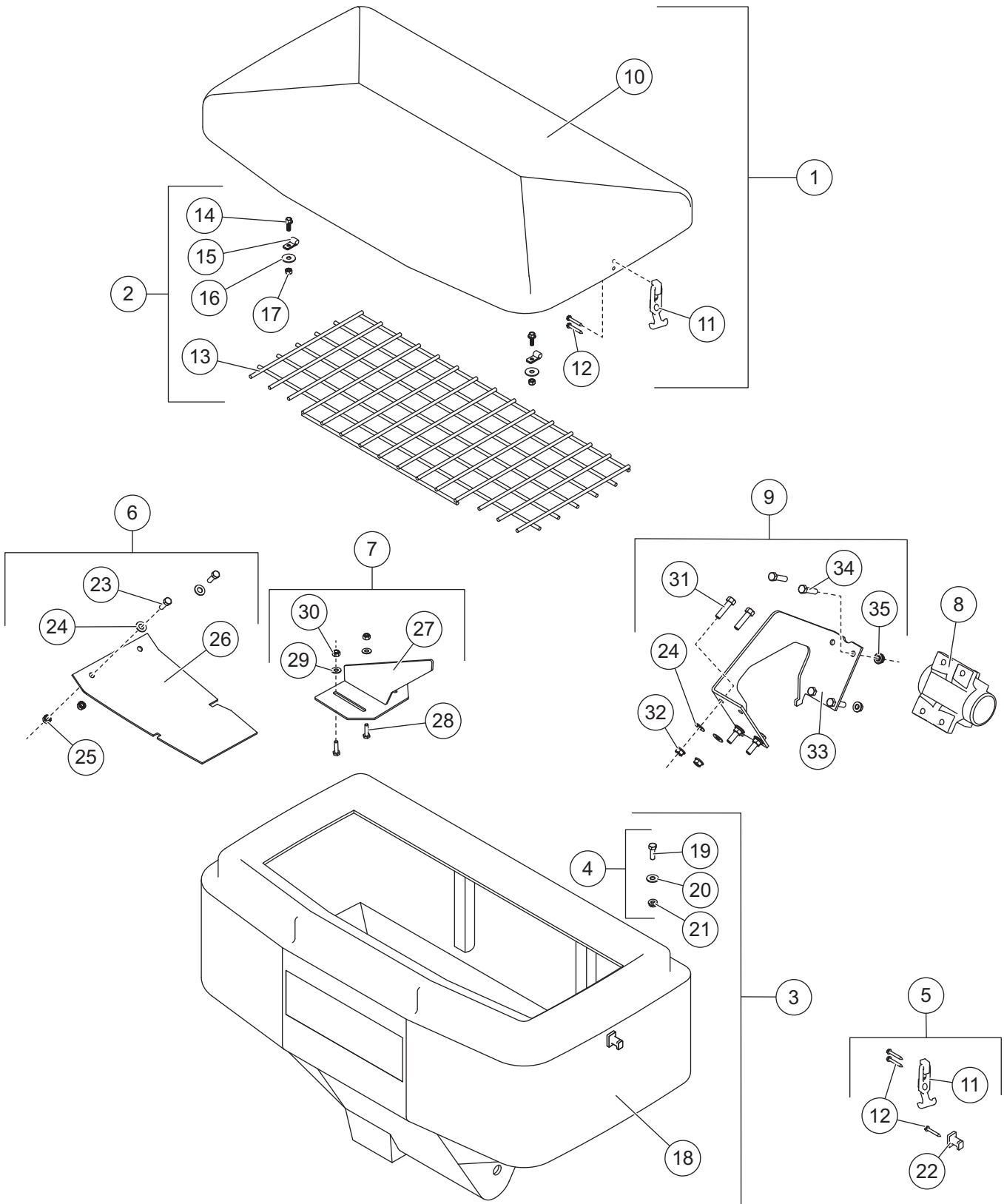
Parts List



This Parts List is for WESTERN® PRO-FLO 525 and PRO-FLO 900 Low-Profile Tailgate Spreaders with serial numbers beginning with 170504 and higher.

PRO-FLO™ 525 TAILGATE SPREADER

HOPPER, VIBRATOR & BAFFLE



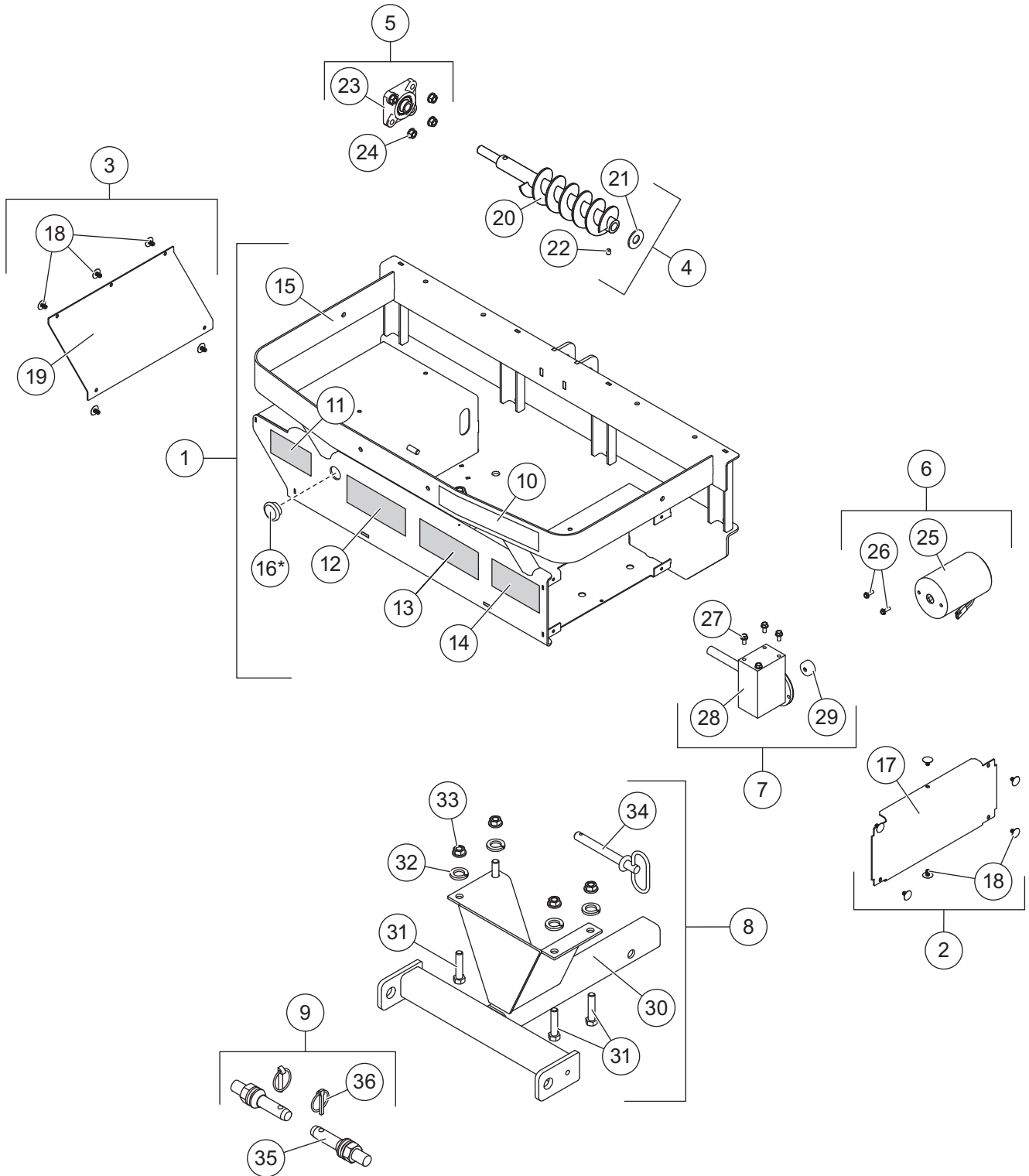
PRO-FLO™ 525 TAILGATE SPREADER

Hopper, Vibrator & Baffle							
Item	Part	Qty	Description	Item	Part	Qty	Description
1	75630	1	Lid Kit	6	75657	1	Baffle Kit
2	75655	1	Top Screen Kit 30 x 14	7	83211	1	Baffle Extension Kit
3	75906	1	Hopper Kit PRO-FLO 525*	8	75673	1	Vibrator – DC-80
4	75659	1	Hopper Hardware Kit	9	75658	1	Vibrator Mount Kit
5	75612	2	Hopper Strap Kit				
Item 1				75630 Lid Kit			
10		1	Lid Assembly	12		4	#10 x 3/4 Hex Washer-Head Tapping Screw SS
11		2	Flexible Draw Latch				
Item 2				75655 Top Screen Kit 30 x 14			
13		1	Top Screen 30 x 14	15		2	5/16 Clamp
14		2	1/4-20 x 3/4 Serrated Flange Hex Cap Screw SS	16		2	1/4 x 1 Washer
				17		2	1/4 Hex Locknut SS
Item 3				75906 Hopper Kit PRO-FLO 525*			
4	75659	1	Hopper Hardware Kit	18		1	Hopper 5.25 ft ³ , Red
Item 4				75659 Hopper Hardware Kit			
19		4	5/16-18 x 1 Hex Cap Screw	21		4	5/16-18 Serrated Flange Nut
20		4	5/16 Flat Washer				
Item 5				75612 Hopper Strap Kit			
11		2	Flexible Draw Latch	22		2	Latch Keeper
12		6	#10 x 3/4 Hex Washer-Head Tapping Screw SS				
Item 6				75657 Baffle Kit			
23		2	5/16-18 x 1-1/4 Hex Cap Screw SS	25		2	5/16-18 Hex Locknut SS
24		2	3/8 Flat Washer SS	26		1	Material Baffle
Item 7				83211 Baffle Extension Kit			
27	83216	1	Baffle Extension	29		2	1/4 Flat Washer Type A Narrow
28		2	1/4-20 x 1 Hex Cap Screw SS	30		2	1/4-20 Hex Locknut SS
Item 9				75658 Vibrator Mount Kit			
24		4	3/8 Flat Washer SS	33		1	Vibrator Mount Bracket
31		4	3/8-16 x 1 Hex Cap Screw SS	34		4	3/8-16 x 1-1/2 Hex Cap Screw
32		4	3/8-16 Serrated Flange Nut	35		4	3/8-16 Hex Locknut
SS = Stainless Steel							

* Hopper ships with two latch keepers installed.

PRO-FLO™ 525 TAILGATE SPREADER

FRAME, AUGER & HITCH



* Not present on all 91800-1 spreaders.

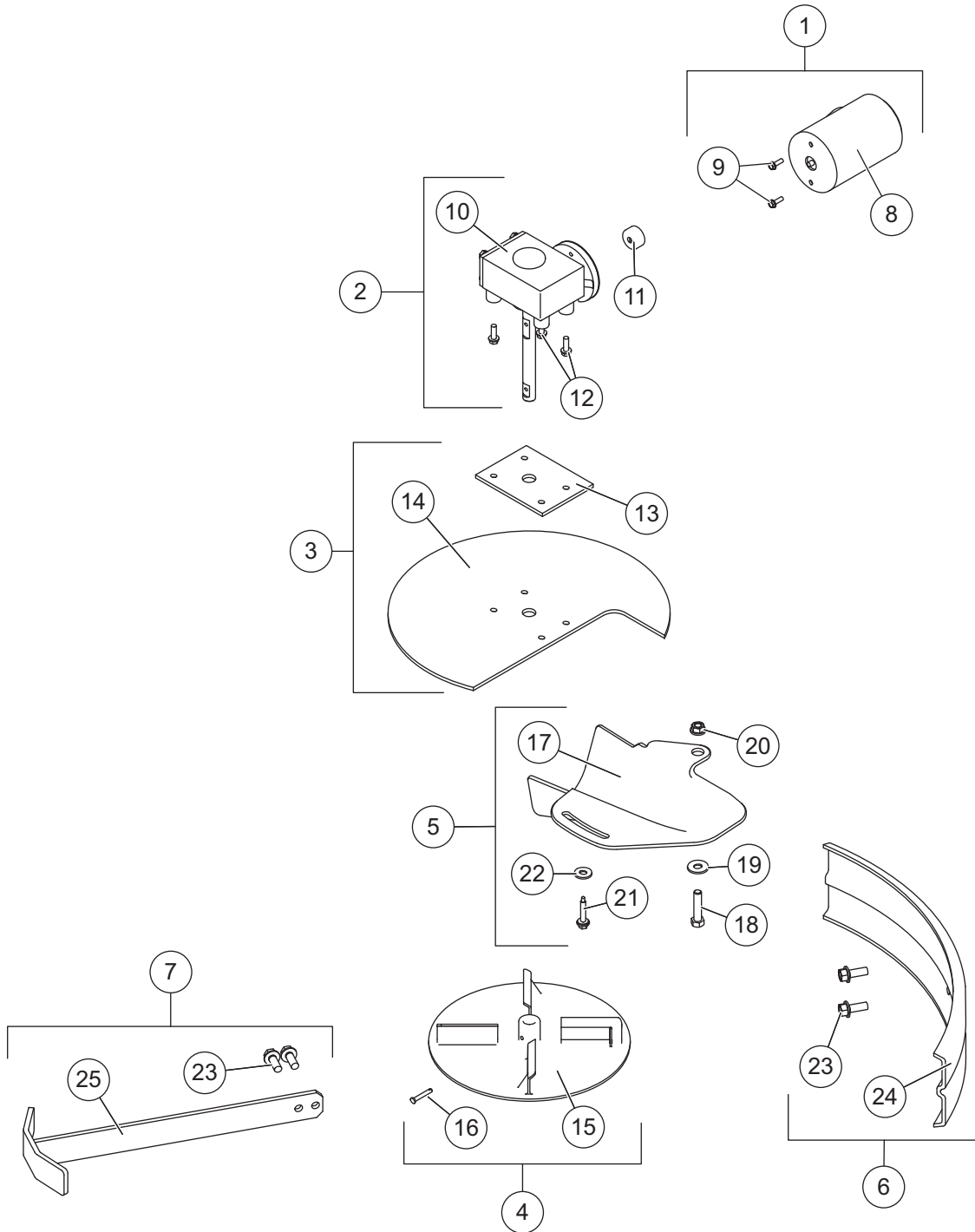
PRO-FLO™ 525 TAILGATE SPREADER

Frame, Auger & Hitch							
Item	Part	Qty	Description	Item	Part	Qty	Description
1	75902	1	Frame Kit	8	75654	1	Hitch Kit
2	75667	1	Side Cover Kit	9	75666	1	Lift Arm Pin Kit
3	75558	1	Spinner Drive Cover Kit	10	42526	1	Label – PRO-FLO 525
4	75661	1	Auger Kit	11	75621	1	Label – Warning, Hands and Feet
5	75660	1	Bearing Kit	12	75669	1	Label – Warning, Rotating Auger
6	75901	1	Motor Kit	13	11100	1	Label – Warning, Rear Camera
7	75670	1	Auger Transmission Kit	14	75623	1	Label – Warning, Read Manual
Item 1				75902 Frame Kit			
10	42526	1	Label – PRO-FLO 525	14	75623	1	Label – Warning, Read Manual
11	75621	1	Label – Warning, Hands and Feet	15		1	Main Frame
12	75669	1	Label – Warning, Rotating Auger	16	75689*	1	Bearing Access Cover
13	11100	1	Label – Warning, Rear Camera				
Item 2				75667 Side Cover Kit			
17		1	Drive Cover	18	79334	6	1/4 x 3/4 x 1/2 Push Retainer Nylon
Item 3				75558 Spinner Drive Cover Kit			
18	79334	6	1/4 x 3/4 x 1/2 Push Retainer Nylon	19		1	Spinner Drive Cover
Item 4				75661 Auger Kit			
20		1	2-5/8 x 14 x 1-3/8 Auger	22		1	5/16-18 x 3/8 Socket Head Set Screw
21		1	5/8 Flat Washer Nylon				
Item 5				75660 Bearing Kit			
23	68662	1	5/8 Bearing 4-Bolt Flange	24		4	3/8-16 Serrated Flange Nut
Item 6				75901 Motor Kit			
25		1	Motor 12V DC, 3 x 3.8	26		2	#10-32 x 5/8 Serrated Flange Hex Cap Screw w/Patch
Item 7				75670 Auger Transmission Kit			
27		4	1/4-20 x 3/4 Serrated Flange Hex Cap Screw SS	28		1	Transmission 30:1 Worm Gear
				29	79332	1	Motor Drive Coupler
Item 8				75654 Hitch Kit			
30		1	Hitch	33		4	1/2-13 Serrated Flange Nut
31		4	1/2-13 x 1-1/2 Hex Cap Screw	34	75620	1	Hitch Pin
32		4	1/2 Split Lock Washer Zinc				
Item 9				75666 Lift Arm Pin Kit			
35		2	7/8 x 5-1/2 Lift Arm Pin	36		2	5/16 x 1-9/16 Linchpin
SS = Stainless Steel							

* Not present on all 91800-1 spreaders. To add a bearing access hole and cover on an existing frame, order Accessory Kit 76711.

PRO-FLO™ 525 TAILGATE SPREADER

SPINNER ASSEMBLY & MATERIAL CHUTE

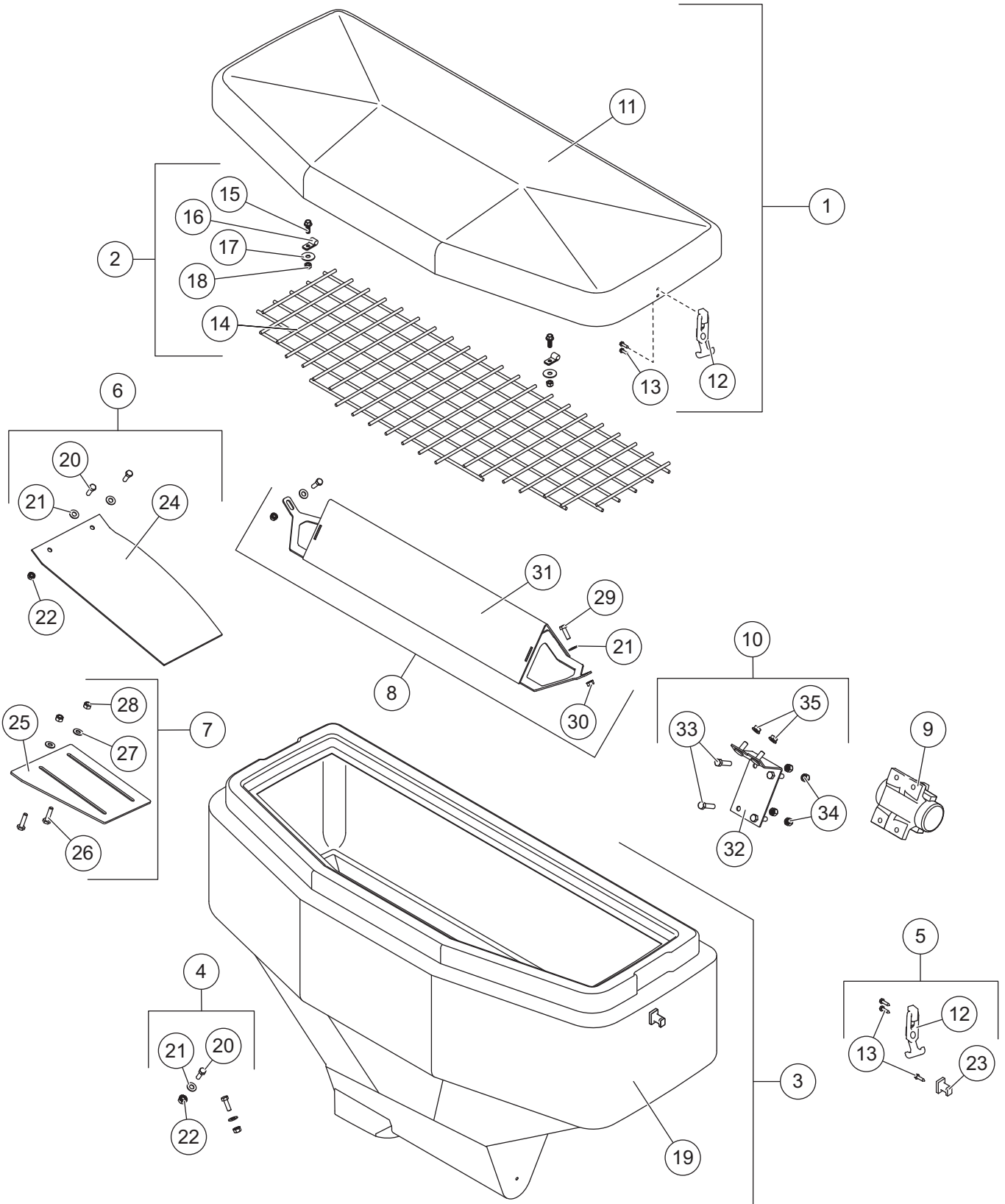


PRO-FLO™ 525 TAILGATE SPREADER

Spinner Assembly & Material Chute							
Item	Part	Qty	Description	Item	Part	Qty	Description
1	75901	1	Motor Kit	5	75662	1	Material Chute Kit
2	75640	1	Spinner Transmission Kit	6	75665	1	Deflector Kit
3	75663	1	CE Guard Kit	7	75672	1	Protector Foot Kit
4	75618	1	Spinner Kit				
Item 1				75901 Motor Kit			
8		1	Motor 12V DC, 3 x 3.8	9		2	#10-32 x 5/8 Serrated Flange Hex Cap Screw w/Patch
Item 2				75640 Spinner Transmission Kit			
10		1	Transmission 8:1 Worm Gear	12		4	1/4-20 x 3/4 Serrated Flange Hex Cap Screw SS
11	79332	1	Motor Drive Coupler				
Item 3				75663 CE Guard Kit			
13		1	CE Guard Spacer	14		1	CE Guard
Item 4				75618 Spinner Kit			
15		1	10" Spinner, Poly	16		1	3/16 x 1-1/4 Detent Clevis Pin
Item 5				75662 Material Chute Kit			
17		1	Material Chute	20		1	1/2-13 Serrated Flange Nut
18		1	1/2-13 x 1-1/2 Hex Cap Screw	21		1	1/4 x 1-1/2 Driller w/R-M Washer
19		1	1/2 Flat Washer, Hardened	22		1	5/16 Flat Washer
Item 6				75665 Deflector Kit			
23		2	3/8-16 x 1 Serrated Flange Hex Cap Screw Type F	24		1	Deflector
Item 7				75672 Protector Foot Kit			
23		2	3/8-16 x 1 Serrated Flange Hex Cap Screw Type F	25		1	Spinner Protector Foot
SS = Stainless Steel							

PRO-FLO™ 900 TAILGATE SPREADER

HOPPER, VIBRATOR & INVERTED V



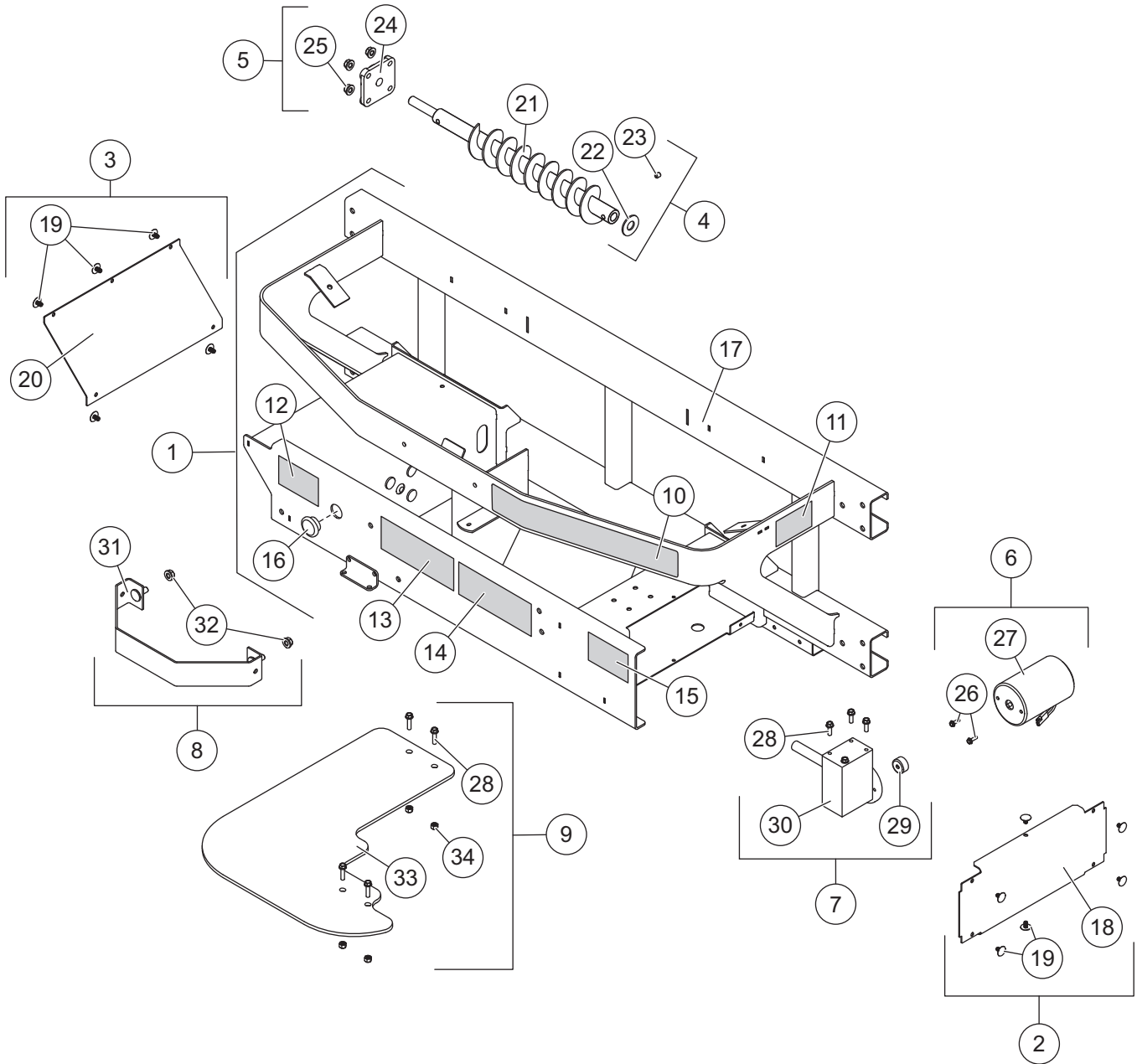
PRO-FLO™ 900 TAILGATE SPREADER

Hopper, Vibrator & Inverted V							
Item	Part	Qty	Description	Item	Part	Qty	Description
1	75677	1	Lid Kit	6	75681	1	Baffle Kit
2	75680	1	Top Screen Kit	7	83213	1	Baffle Extension Kit
3	75908	1	Hopper Kit PRO-FLO 900*	8	75682	1	Inverted V Kit
4	75614	1	Hopper Hardware Kit	9	75673	1	Vibrator – DC-80
5	75612	1	Hopper Strap Kit	10	75683	1	Vibrator Mount Bracket Kit
Item 1				75677 Lid Kit			
11		1	Lid Assembly	13		4	#10 x 3/4 Hex Washer-Head Tapping Screw SS
12		2	Flexible Draw Latch				
Item 2				75680 Top Screen Kit			
14		1	Top Screen 40 x 44	16		2	5/16 Clamp
15		2	1/4-20 x 3/4 Serrated Flange Hex Cap Screw SS	17	D5952	2	1/4 x 1 Fender Washer SS
				18		2	1/4 Hex Locknut SS
Item 3				75908 Hopper Kit PRO-FLO 900*			
4	75614	1	Hopper Hardware Kit	19		1	Hopper 8.75 ft ³ – Red
Item 4				75614 Hopper Hardware Kit			
20		2	5/16-18 x 1-1/4 Hex Cap Screw SS	22		2	5/16-18 Hex Locknut SS
21		2	3/8 Flat Washer SS				
Item 5				75612 Hopper Strap Kit			
12		2	Flexible Draw Latch	23		2	Latch Keeper
13		6	#10 x 3/4 Hex Washer-Head Tapping Screw SS				
Item 6				75681 Baffle Kit			
20		2	5/16-18 x 1-1/4 Hex Cap Screw SS	22		2	5/16-18 Hex Locknut SS
21		2	3/8 Flat Washer SS	24		1	Material Baffle
Item 7				83213 Baffle Extension Kit			
25	83214	1	Baffle Extension Plate	27		2	1/4 Flat Washer Type A Narrow
26		2	1/4-20 x 1 Hex Cap Screw SS	28		2	1/4-20 Hex Locknut SS
Item 8				75682 Inverted V Kit			
21		2	3/8 Flat Washer SS	30		2	5/16-18 Serrated Flange Hex Locknut
29		2	5/16-18 x 1 Hex Cap Screw G5	31		1	Inverted V
Item 10				75683 Vibrator Mount Bracket Kit			
32		1	Mounting Bracket, Inverted V	34		4	3/8-16 Hex Locknut
33		4	3/8-16 x 1-1/2 Hex Cap Screw	35		2	3/8-16 Serrated Flange Hex Locknut
SS = Stainless Steel				G = Grade			

* Hopper ships with two latch keepers installed.

PRO-FLO™ 900 TAILGATE SPREADER

FRAME, AUGER & SPINNER GUARD

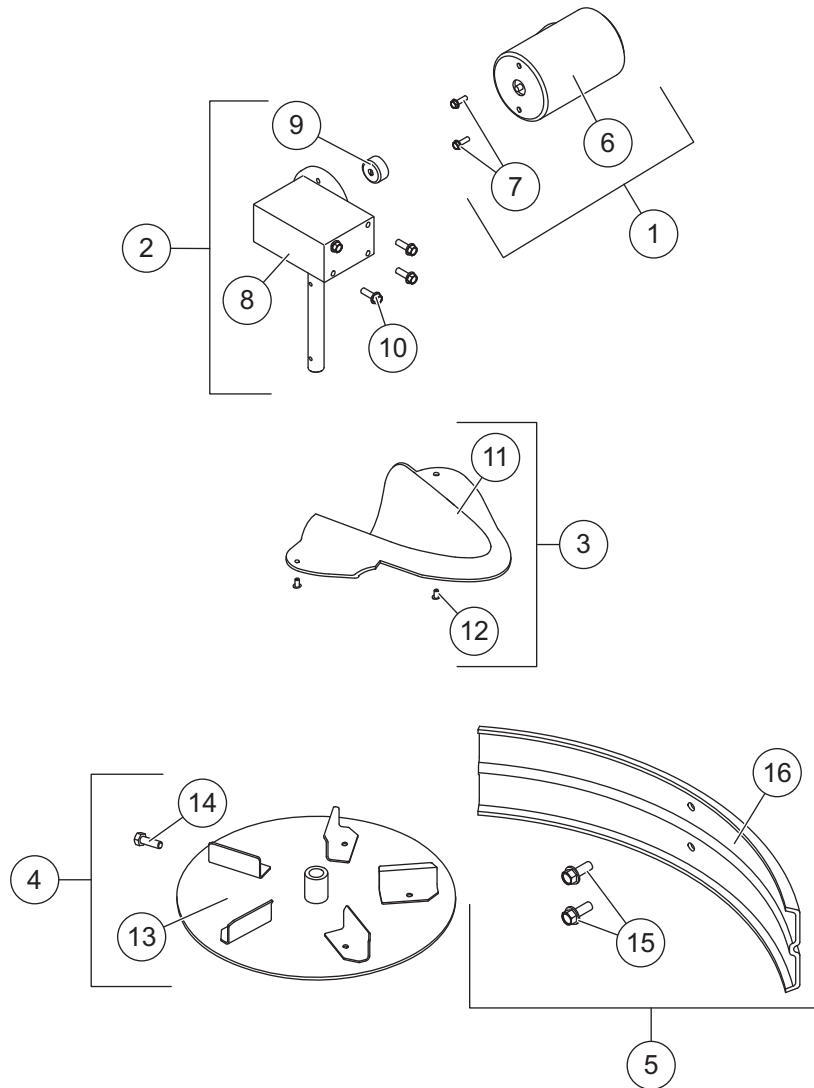


PRO-FLO™ 900 TAILGATE SPREADER

Frame, Auger & Spinner Guard							
Item	Part	Qty	Description	Item	Part	Qty	Description
1	75904	1	Frame Kit PRO-FLO 900	9	75690	1	Spinner Guard Kit
2	75687	1	Side Cover Kit	10	42527	1	Label – PRO-FLO 900
3	75560	1	Spinner Drive Cover Kit	11	75694	1	Label – Warning, Never Swing Spreader
4	75679	1	Auger Kit	12	75621	1	Label – Warning, Hands and Feet
5	75660	1	Bearing Kit	13	75669	1	Label – Warning, Rotating Auger
6	75901	1	Motor Kit	14	11100	1	Label – Warning, Rear Camera
7	75692	1	Auger Transmission Kit	15	75623	1	Label – Warning, Read Manual
8	75688	1	Trim Ring Kit				
Item 1				75904 Frame Kit PRO-FLO 900			
10	42527	1	Label – PRO-FLO 900	14	11100	1	Label – Warning, Rear Camera
11	75694	1	Label – Warning, Never Swing Spdr.	15	75623	1	Label – Warning, Read Manual
12	75621	1	Label – Warning, Hands and Feet	16	75689	1	Bearing Access Cover
13	75669	1	Label – Warning, Rotating Auger	17		1	Main Frame
Item 2				75687 Side Cover Kit			
18		1	Drive Cover	19	79334	6	1/4 x 3/4 x 1/2 Push Retainer Nylon
Item 3				75560 Spinner Drive Cover Kit			
19	79334	6	1/4 x 3/4 x 1/2 Push Retainer Nylon	20		1	Spinner Drive Cover
Item 4				75679 Auger Kit			
21		1	2-5/8 x 20 x 1-3/8 Auger	23		1	5/16-18 x 3/8 Socket Head Set Screw
22		1	5/8 Flat Washer Nylon				
Item 5				75660 Bearing Kit			
24	68662	1	5/8 Bearing 4-Bolt Flange	25		4	3/8-16 Serrated Flange Nut
Item 6				75901 Motor Kit			
26		2	#10-32 x 5/8 Serrated Flange Hex Cap Screw w/Patch	27		1	Motor 12V DC, 3 x 3.8
Item 7				75692 Auger Transmission Kit			
28		4	1/4-20 x 3/4 Serrated Flange Hex Cap Screw SS	29	79332	1	Motor Drive Coupler
				30		1	Transmission 20:1 Worm Gear
Item 8				75688 Trim Ring Kit			
31		1	Trim Ring	32		2	3/8-16 Serrated Flange Hex Nut
Item 9				75690 Spinner Guard Kit			
28		4	1/4-20 x 3/4 Serrated Flange Hex Cap Screw SS	33		1	Spinner Guard
				34		4	1/4-20 Locknut
SS = Stainless Steel							

PRO-FLO™ 900 TAILGATE SPREADER

SPINNER, CHUTE & DEFLECTOR

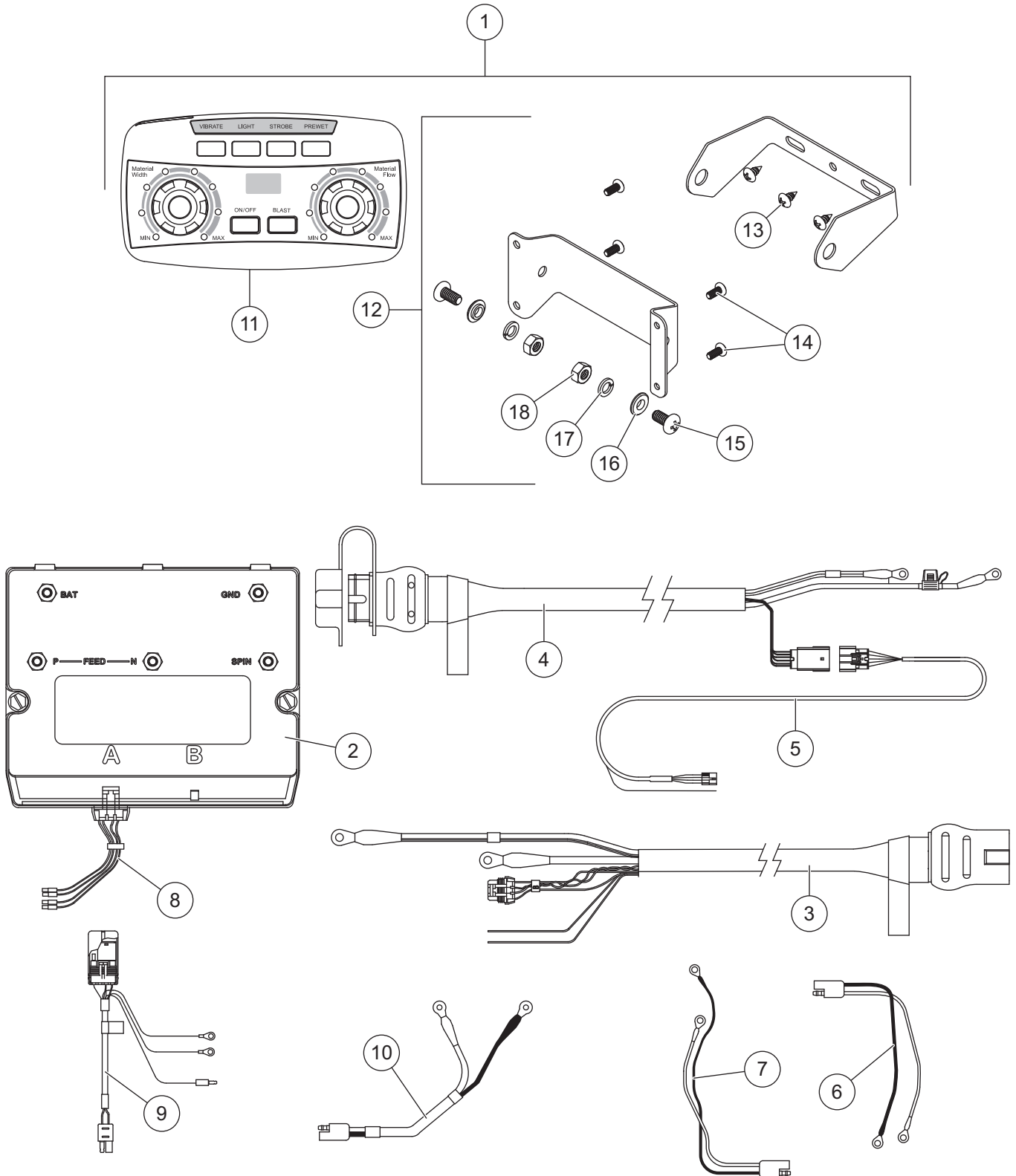


PRO-FLO™ 900 TAILGATE SPREADER

Spinner, Chute & Deflector							
Item	Part	Qty	Description	Item	Part	Qty	Description
1	75901	1	Motor Kit	4	75685	1	Spinner Kit
2	75686	1	Spinner Transmission Kit	5	75665	1	Deflector Kit
3	75691	1	Material Chute Kit				
Item 1				75901 Motor Kit			
6		1	Motor 12V DC, 3 x 3.8	7		2	#10-32 x 5/8 Serrated Flange Cap Screw w/Patch
Item 2				75686 Spinner Transmission Kit			
8		1	Transmission 8:1 Worm Gear	10		4	1/4-20 x 3/4 Serrated Flange Hex Cap Screw SS
9	79332	1	Motor Drive Coupler				
Item 3				75691 Material Chute Kit			
11		1	Material Chute	12		3	3/16 x 0.354 Rivet
Item 4				75685 Spinner Kit			
13		1	12" Spinner, Steel	14		1	5/16-18 x 1/2 Hex Cap Screw
Item 5				75665 Deflector Kit			
15		2	3/8-16 x 1 Serrated Flange Hex Cap Screw Type F	16		1	Deflector
SS = Stainless Steel							

PRO-FLO™ 525, PRO-FLO™ 900 TAILGATE SPREADER

ELECTRICAL COMPONENTS



PRO-FLO™ 525, PRO-FLO™ 900 TAILGATE SPREADER

Electrical Components							
Item	Part	Qty	Description	Item	Part	Qty	Description
1	52450	1	Spreader Control Kit	7	78399	1	Spinner Motor Harness Rev Pin-Out (900)
2	52375	1	Spreader Module, 5-Post	8	69893	1	10-Pin Connector w/Four Wires
3	72092	1	Spreader Harness, 7-Pin	9	78382	1	Vibrator Harness Assembly
4	72090	1	Vehicle Harness, 7-Pin	10	78397	1	Auger Motor Harness
5	69902	1	Vehicle Control Harness				
6	78398	1	Spinner Motor Harness (525)				
Item 1				52450 Spreader Control Kit			
11	52452	1	Spreader Control	12	52345	1	Control Bracket Kit
Item 12				52345 Control Bracket Kit			
13		3	#10 x 3/8 Pan Head Tapping Screw SS	16		2	1/4 Shoulder Washer SS
14		4	#8 x 3/8 Pan Head Machine Screw	17		2	1/4 Lock Washer SS
15		2	1/4-20 x 1/2 Pan Head Machine Screw SS	18		2	1/4-20 Hex Nut G5
SS = Stainless Steel				G = Grade			



Western Products
PO Box 245038
Milwaukee, WI 53224-9538
www.westernplows.com

 A DIVISION OF DOUGLAS DYNAMICS, LLC

Copyright © 2018 Douglas Dynamics, LLC. All rights reserved. This material may not be reproduced or copied, in whole or in part, in any printed, mechanical, electronic, film, or other distribution and storage media, without the written consent of Western Products. Authorization to photocopy items for internal or personal use by Western Products outlets or spreader owner is granted.

Western Products reserves the right under its product improvement policy to change construction or design details and furnish equipment when so altered without reference to illustrations or specifications used. Western Products or the vehicle manufacturer may require or recommend optional equipment for spreaders. Do not exceed vehicle ratings with a spreader. Western Products offers a limited warranty for all spreaders and accessories. See separately printed page for this important information. The following are registered (®) or unregistered (™) trademarks of Douglas Dynamics, LLC: PRO-FLO™, WESTERN®.

Printed in U.S.A.