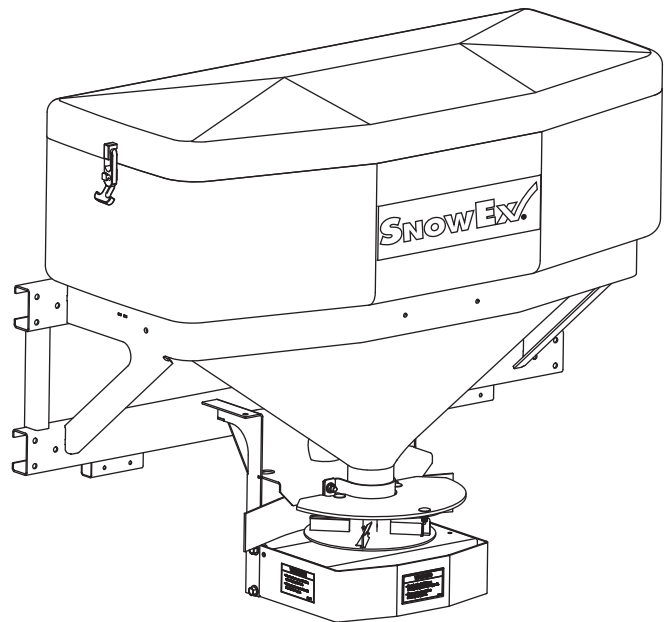
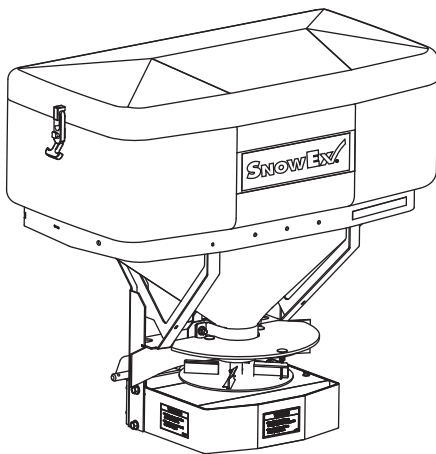




Tailgate Pro 575X, Tailgate Pro 1075X Single-Stage Tailgate Spreader

SP-575X-1, SP-1075X-1

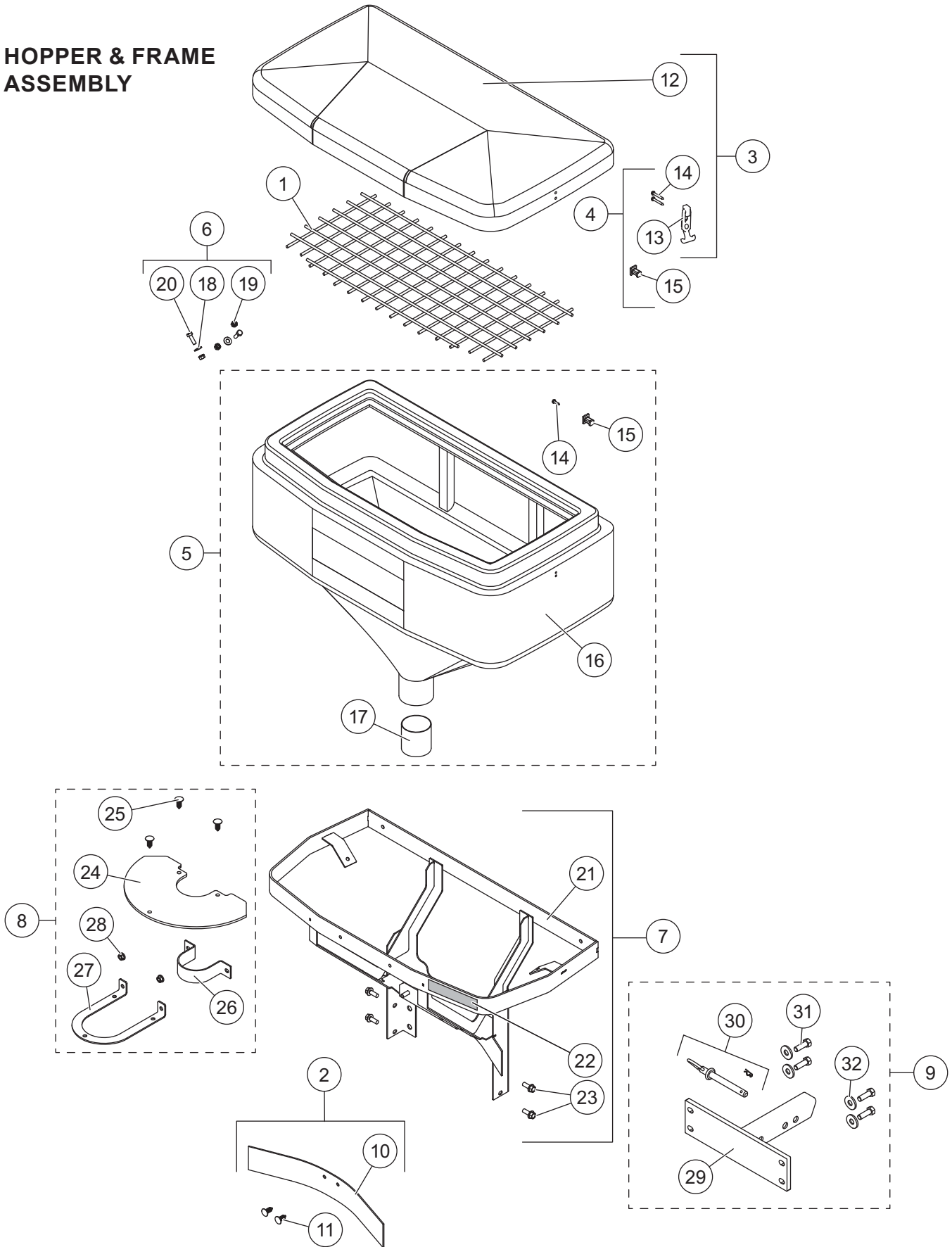
Parts List



This Parts List is for SnowEx® Tailgate Pro spreaders with serial numbers beginning with 160501 and higher.

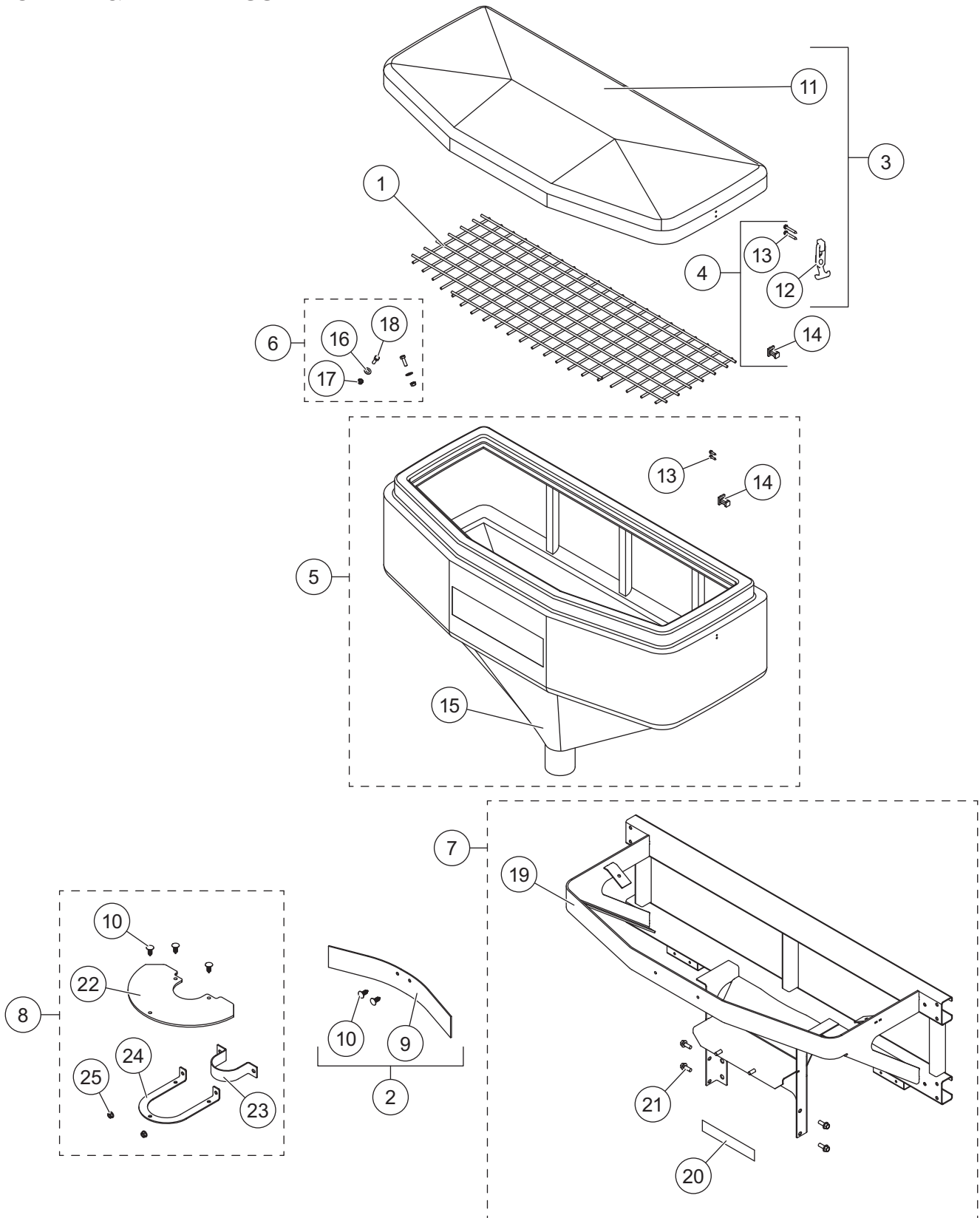
TAILGATE PRO 575X TAILGATE SPREADER

HOPPER & FRAME ASSEMBLY



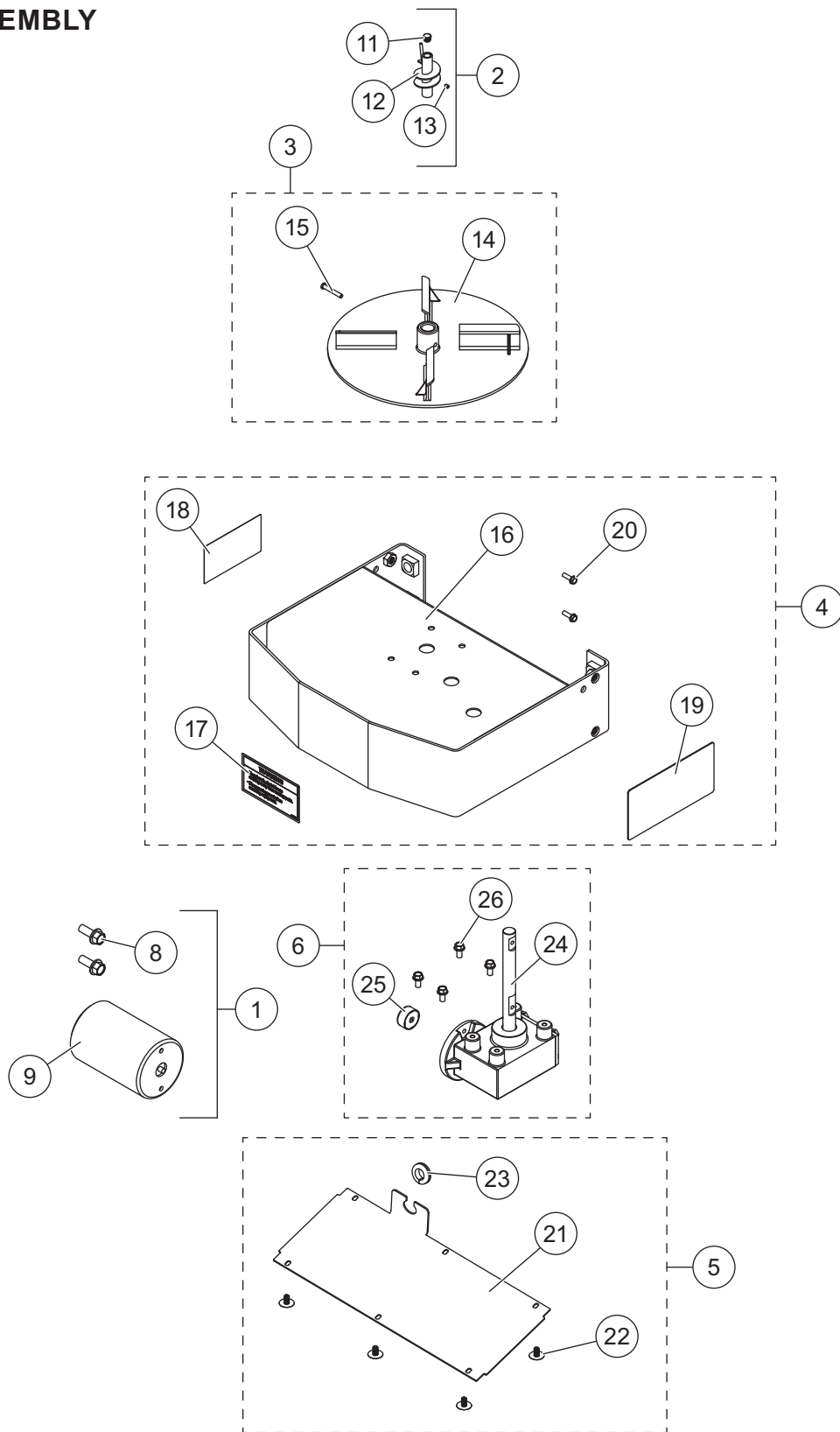
TAILGATE PRO 1075X TAILGATE SPREADER

HOPPER & FRAME ASSEMBLY



TAILGATE PRO 575X/TAILGATE PRO 1075X TAILGATE SPREADER

DRIVE ASSEMBLY

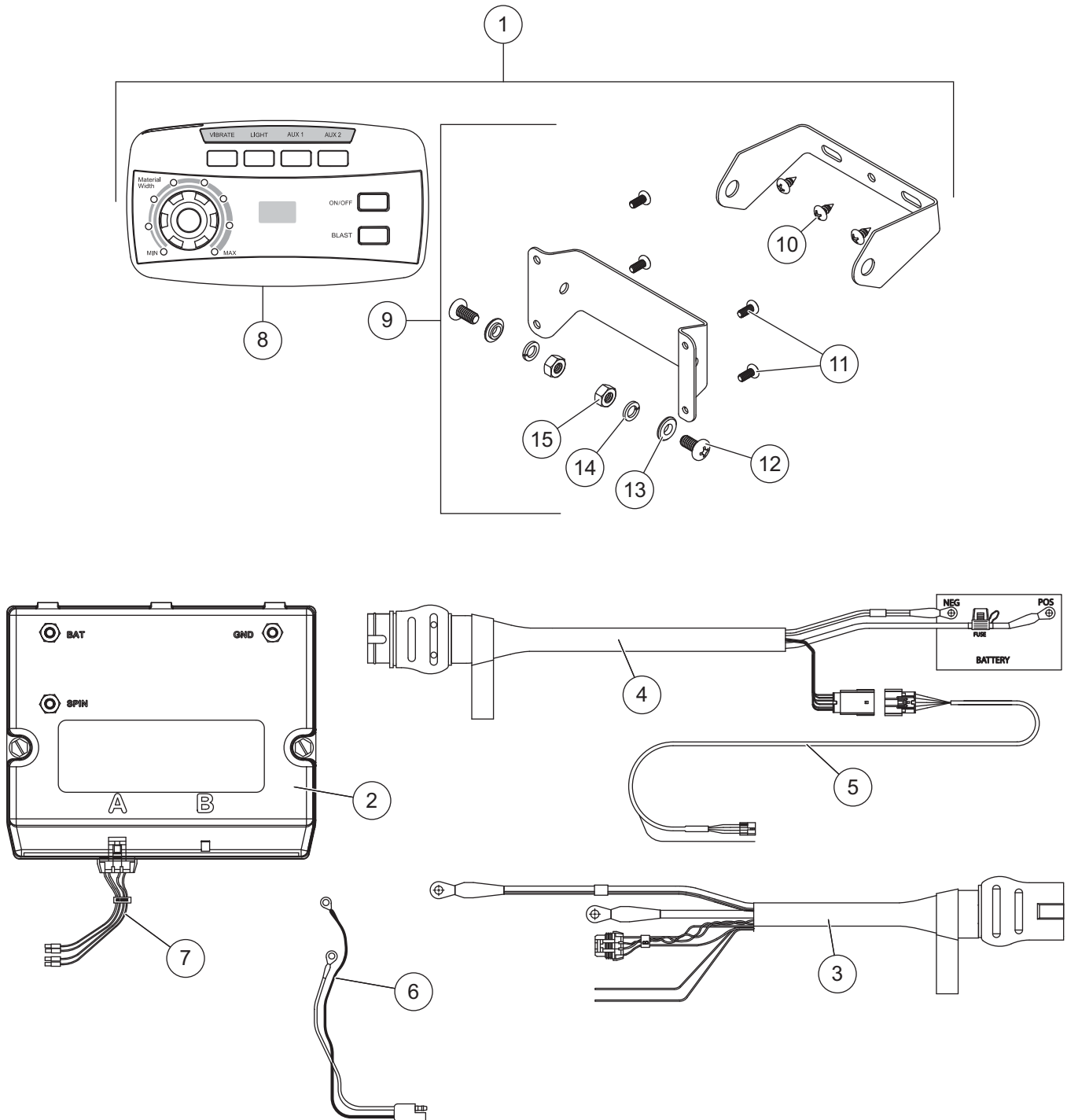


TAILGATE PRO 575X/TAILGATE PRO 1075X TAILGATE SPREADER

76599 Drive Assembly (w/o Wiring)							
Item	Part	Qty	Description	Item	Part	Qty	Description
1	75606	1	Motor Kit	4	75635	1	Transmission Enclosure Kit
2	75615	1	Auger Kit	5	57104	1	Transmission Enclosure Cover Kit
3	75618	1	Spinner Kit	6	75640	1	Transmission Kit
Item 1				75606 Motor Kit			
8		2	#10-32 x 5/8 Serrated Flange Hex Cap Screw	9		1	3 x 3.8 12V DC Motor
Item 2				75615 Auger Kit			
11	D6191	1	Auger Cap	13		1	5/16-18 x 3/8 Set Screw
12	D6075	1	Auger				
Item 3				75618 Spinner Kit			
14	D6750	1	Spinner, Poly	15	D6746	1	3/16 x 1-1/4 Clevis Pin
Item 4				75635 Transmission Enclosure Kit			
16		1	Spinner Drive Enclosure	19	11100	1	Label – Warning, Rear Camera
17	75621	1	Label – Warning, Hands & Feet	20		4	3/8-16 x 1 Serrated Flange Hex Cap Screw
18	75623	1	Label – Warning, Read Manual				
Item 5				57104 Transmission Enclosure Cover Kit			
21		1	Enclosure Cover	23		1	5/8 ID Grommet
22	D6467-1	6	1/4 x 3/4 x 1/2 Retainer Black Nylon				
Item 6				75640 Transmission Kit			
24	D6107	1	Transmission 8:1	26		4	1/4-20 x 1/2 Serrated Flange Hex Cap Screw SS
25	D6232	1	Motor Drive Coupler				
SS = Stainless Steel							

TAILGATE PRO 575X/TAILGATE PRO 1075X TAILGATE SPREADER

ELECTRICAL COMPONENTS



TAILGATE PRO 575X/TAILGATE PRO 1075X TAILGATE SPREADER

Electrical Components							
Item	Part	Qty	Description	Item	Part	Qty	Description
1	52465	1	Spreader Control Kit	5	69902	1	Vehicle Control Harness
2	52395	1	Spreader Module, 3-Post	6	78399	1	Spinner Motor Harness Rev Pin-Out
3	72096	1	Spreader Harness, 6-Pin	7	69893	1	10-Pin Connector w/4 Wires
4	72094	1	Vehicle Harness, 6-Pin				
Item 1				52465 Spreader Control Kit			
8	52467	1	Spreader Control	9	52345	1	Control Bracket Kit
Item 9				52345 Control Bracket Kit			
10		3	#10 x 3/8 Pan Head Tapping Screw SS	13		2	1/4 Shoulder Washer SS – Black
11		4	#8 x 3/8 Pan Head Machine Screw	14		2	1/4 Lock Washer SS
12		2	1/4-20 x 1/2 Pan Head Machine Screw SS – Black	15		2	1/4-20 Hex Nut G5 – Black
SS = Stainless Steel				G = Grade			



TrynEx International
531 Ajax Drive
Madison Heights, MI 48071-2429
www.snowexproducts.com

 A DIVISION OF DOUGLAS DYNAMICS, LLC

Copyright © 2020 Douglas Dynamics, LLC. All rights reserved. This material may not be reproduced or copied, in whole or in part, in any printed, mechanical, electronic, film, or other distribution and storage media, without the written consent of TrynEx International, LLC. Authorization to photocopy items for internal or personal use by TrynEx International outlets or spreader owner is granted.

TrynEx International reserves the right under its product improvement policy to change construction or design details and furnish equipment when so altered without reference to illustrations or specifications used. TrynEx International or the vehicle manufacturer may require or recommend optional equipment for spreaders. Do not exceed vehicle ratings with a spreader. TrynEx International offers a limited warranty for all spreaders and accessories. See separately printed page for this important information. The following is a registered (®) trademark of Douglas Dynamics, LLC: SnowEx®.

Printed in U.S.A.