



PRODIGY[™]

PRO PLUS[®]

**PRODIGY[™] & PRO PLUS[®]
Skid Steer Snowplows**

PRODIGY Blade Assembly 57700

PRO PLUS Blade Assembly 76901, 76974, 76980

PRODIGY A-Frame/Attachment Plate, Hydraulics 57820

PRO PLUS A-Frame/Attachment Plate, Hydraulics 75720

Parts List

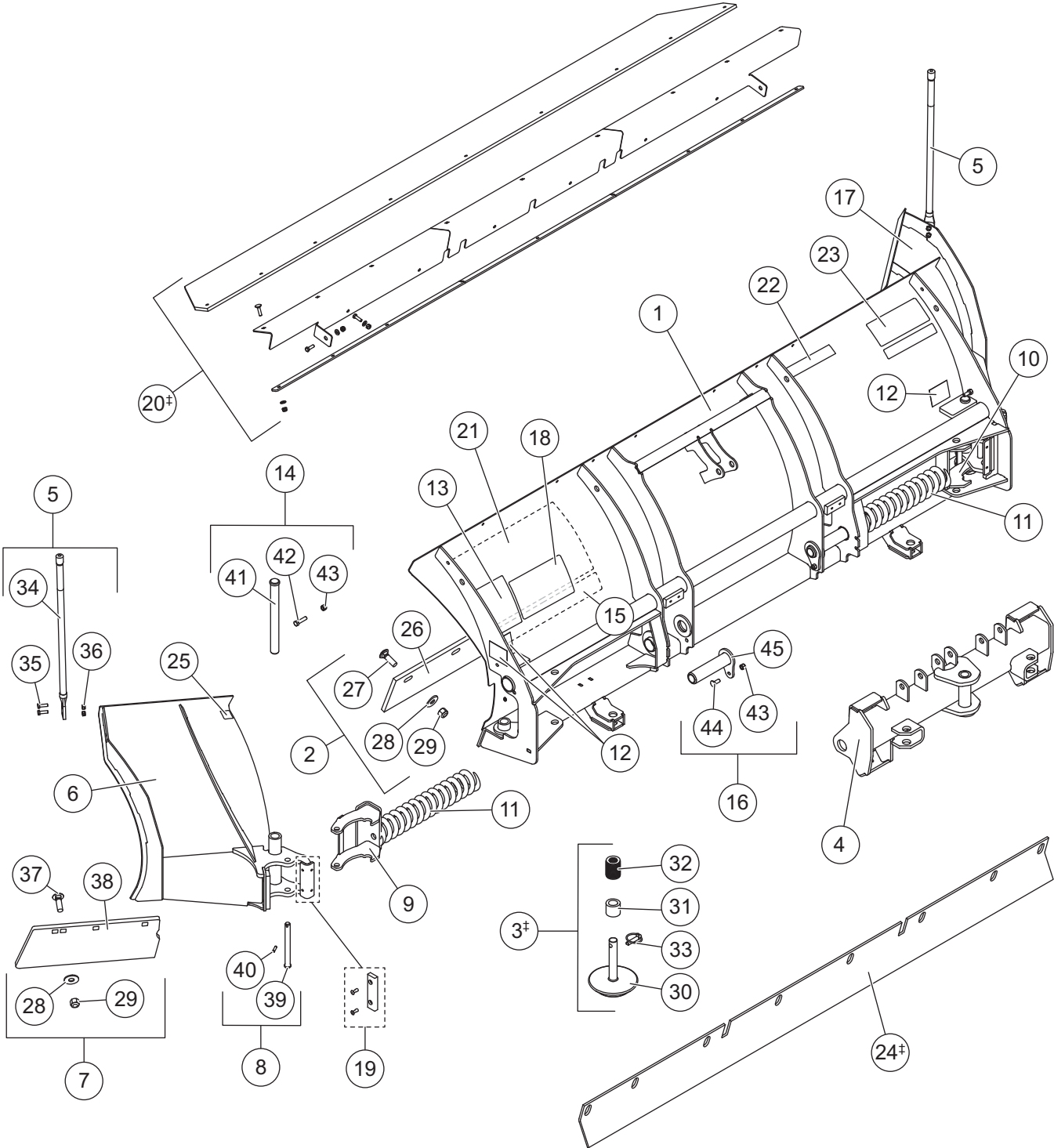


TABLE OF CONTENTS

PRODIGY™ BLADE	4
Blade Components	4
A-Frame Components	8
PRO PLUS® BLADES	10
Blade Components	10
A-Frame Components	12
ANGLE RAM COMPONENTS	14
HYDRAULIC COMPONENTS	15

SKID STEER SNOWPLOW PRODIGY™ BLADE – 57820

Blade Components



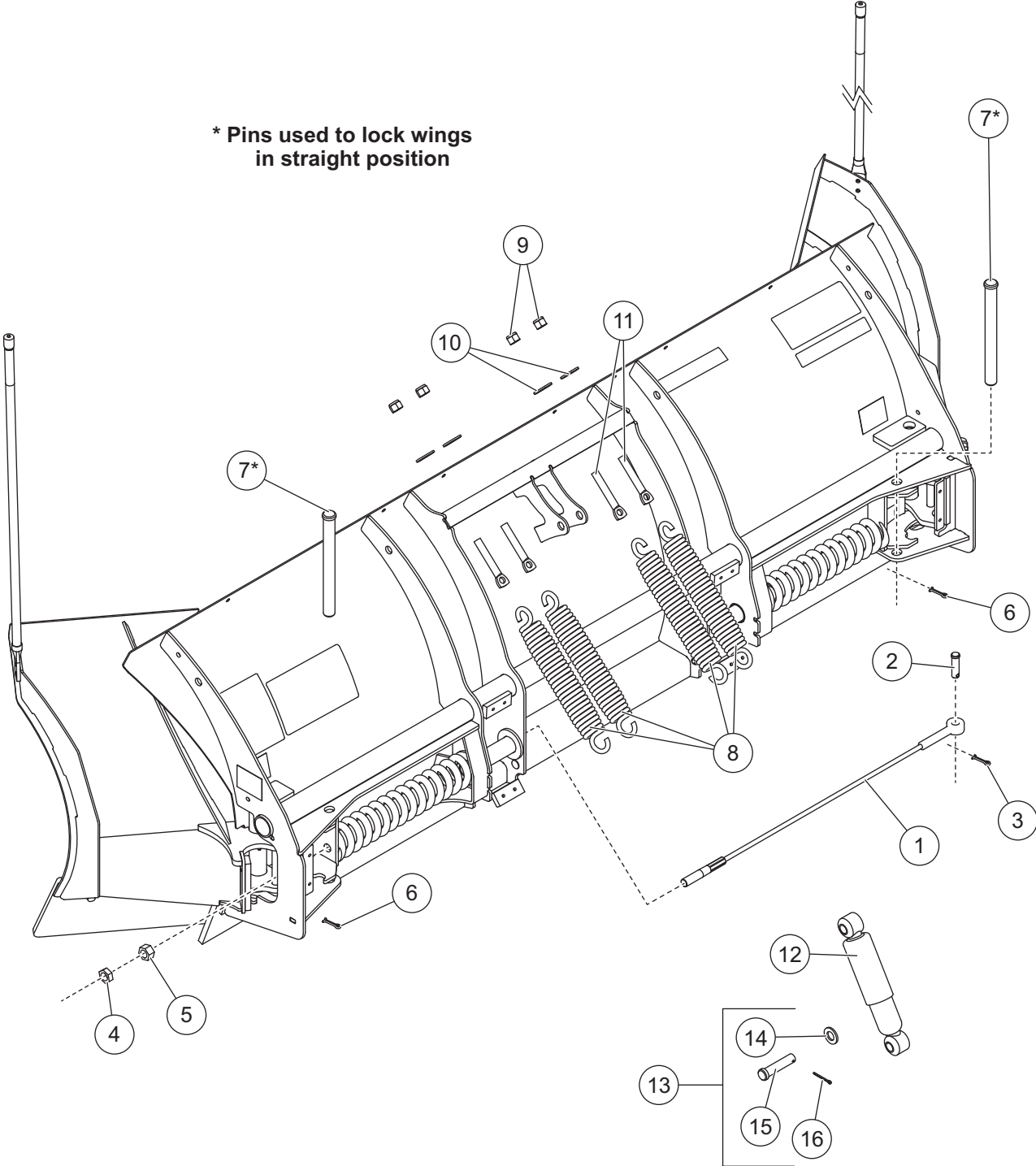
SKID STEER SNOWPLOW PRODIGY™ BLADE – 57820

49766 Moldboard Assembly – PRODIGY							
Item	Part	Qty	Description	Item	Part	Qty	Description
1	41750	1	Moldboard (w/labels)	15	43175	1	Label – Logo, PRODIGY
2	49799	1	Moldboard Cutting Edge Kit	16	42531	2	Pivot Bushing Kit
3‡	49853	1	HD Plow Shoe Assembly Kit	17	41752	1	Wing – PS
4	49769	1	Quadrant	18	57989	1	Label – Attach/Detach, Skid Steer
5	62595	1	Blade Guide Assembly (DS and PS)	19	42395	4	Bumper Kit
6	41751	1	Wing – DS	20‡	42384	1	Deflector Kit
7	42383	1	Wing Cutting Edge Kit (DS and PS)	21	43899	1	Label – Logo, Moldboard CONTRACTOR GRADE®
8	42397	2	Spring Guide Pin Kit	22	28404	1	Label – Logo, ULTRAFINISH™
10	42393	1	Spring Guide – PS	23	44451	1	Label – Logo, WESTERN®
11	42725	2	Compression Spring	24‡	42437	1	Back Drag Edge
12	29593	4	Label – Warning, Multiple Pinch Points	25	43528	2	Wear Strip – Wing Top
13	59900	1	Label – Warning/Caution, Snowplows				
14	42396	2	Hinge Pin Kit				
Item 2 49799 Moldboard Cutting Edge Kit							
26		1	Blade Cutting Edge	28		8	5/8 Hardened Flat Washer
27		8	5/8-11 x 2-1/2 Carriage Bolt G5	29		8	5/8-11 Hex Locknut GB
Item 3‡ 49853 HD Plow Shoe Assembly Kit							
30		2	HD Plow Shoe	32		34	Flat Washer, Special
31		2	1-1/8 ID, 1-5/8 OD x 1-1/2 Spacer	33		2	7/16 x 1-3/4 Linchpin
Item 5 62595 Blade Guide Assembly (DS and PS)							
34		2	Blade Guide Poly 24" w/Label	36		4	5/16-18 Hex Locknut GB
35		4	5/16-18 x 1 Hex Cap Screw G5				
Item 7 42383 Wing Cutting Edge Kit (DS and PS)							
28		6	5/8 Hardened Flat Washer	37		6	5/8-11 x 2 Carriage Bolt G5
29		6	5/8-11 Hex Locknut GB	38		2	Wing Cutting Edge
Item 8 42397 Spring Guide Pin Kit							
39		2	Wing Lock Pin	40		2	1/4 x 1 Coiled Spring Pin
Item 14 42396 Hinge Pin Kit							
41		1	Hinge Pin	43		1	3/8-16 Hex Locknut GB
42		1	3/8-16 x 1-1/2 Hex Cap Screw G5				
Item 16 42531 Pivot Bushing Kit							
43		1	3/8-16 Hex Locknut GB	45		1	Pivot Bushing
44		1	3/8-16 x 1 Carriage Bolt G5				
G = Grade							

‡ Accessory only.

SKID STEER SNOWPLOW PRODIGY™ BLADE – 57820

Blade Components



SKID STEER SNOWPLOW PRODIGY™ BLADE – 57820

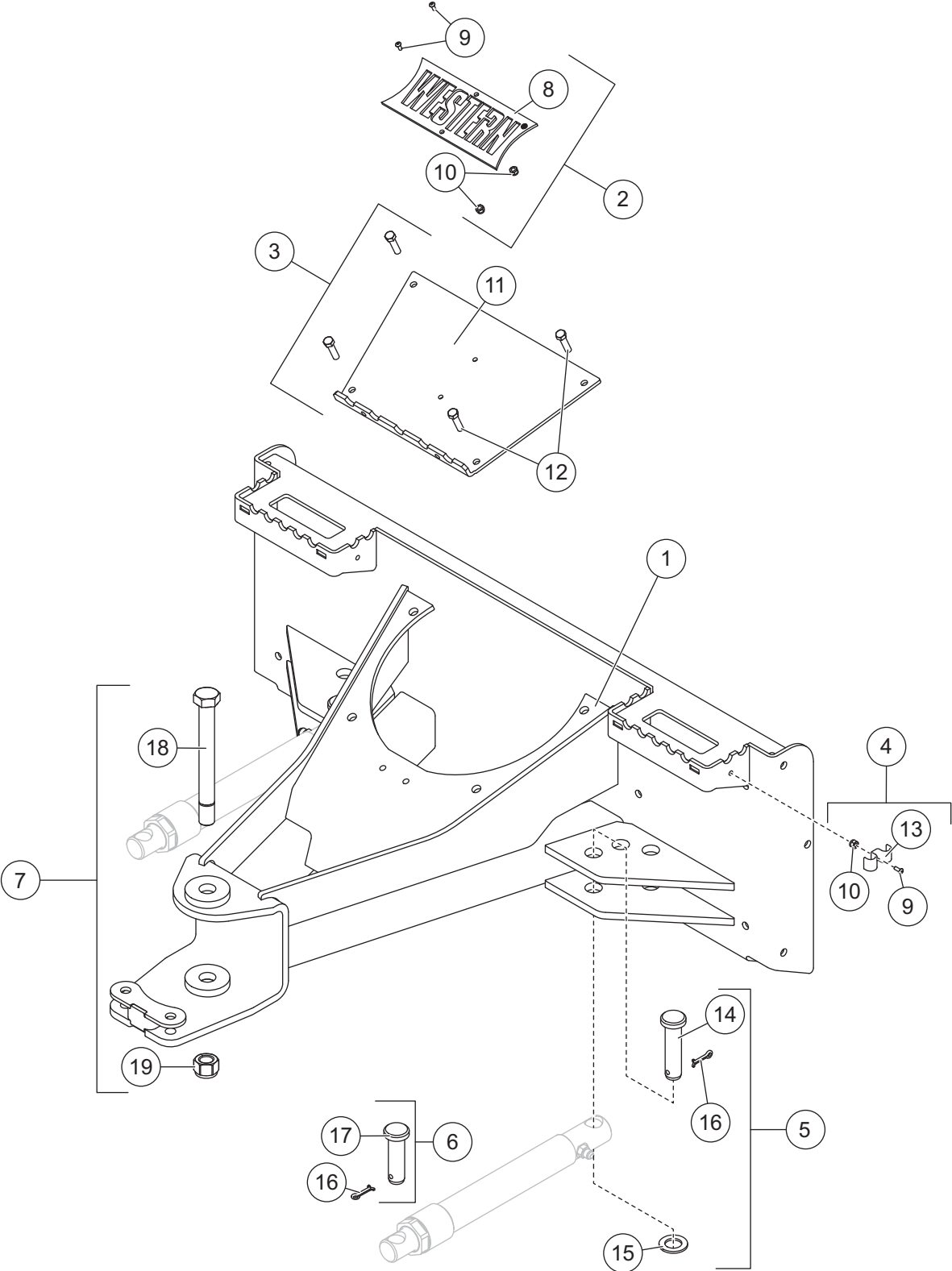
PRODIGY Blade Components							
Item	Part	Qty	Description	Item	Part	Qty	Description
1	42389	2	Cable Assembly w/Hardware (incl. items 2, 3, 4, and 5)	9	91416	4	5/8-11 Hex Nut G5
2	B61563	2	0.625 x 2.33 Clevis Pin	10	90576	4	5/8 Hardened Flat Washer
3	90601	2	1/4 x 1-1/2 Cotter Pin	11	90490	4	5/8-11 x 4 Eyebolt G2
4	B61615	2	3/4-10 Hex Jam Nut	12 [‡]	63979	1	Shock Absorber
5	B61343	2	3/4-10 Hex Nut	13 [‡]	93063K	2	Shock Absorber Hardware Kit
6	91962	2	1/8 Hairpin Cotter	14		2	3/4 Flat Washer
7	42738	2	3/4 x 9 Clevis Pin	15		2	3/4 x 3-1/4 Clevis Pin
8	23039	4	Trip Spring	16		2	5/32 x 1-1/2 Cotter Pin

G = Grade

[‡] Accessory only.

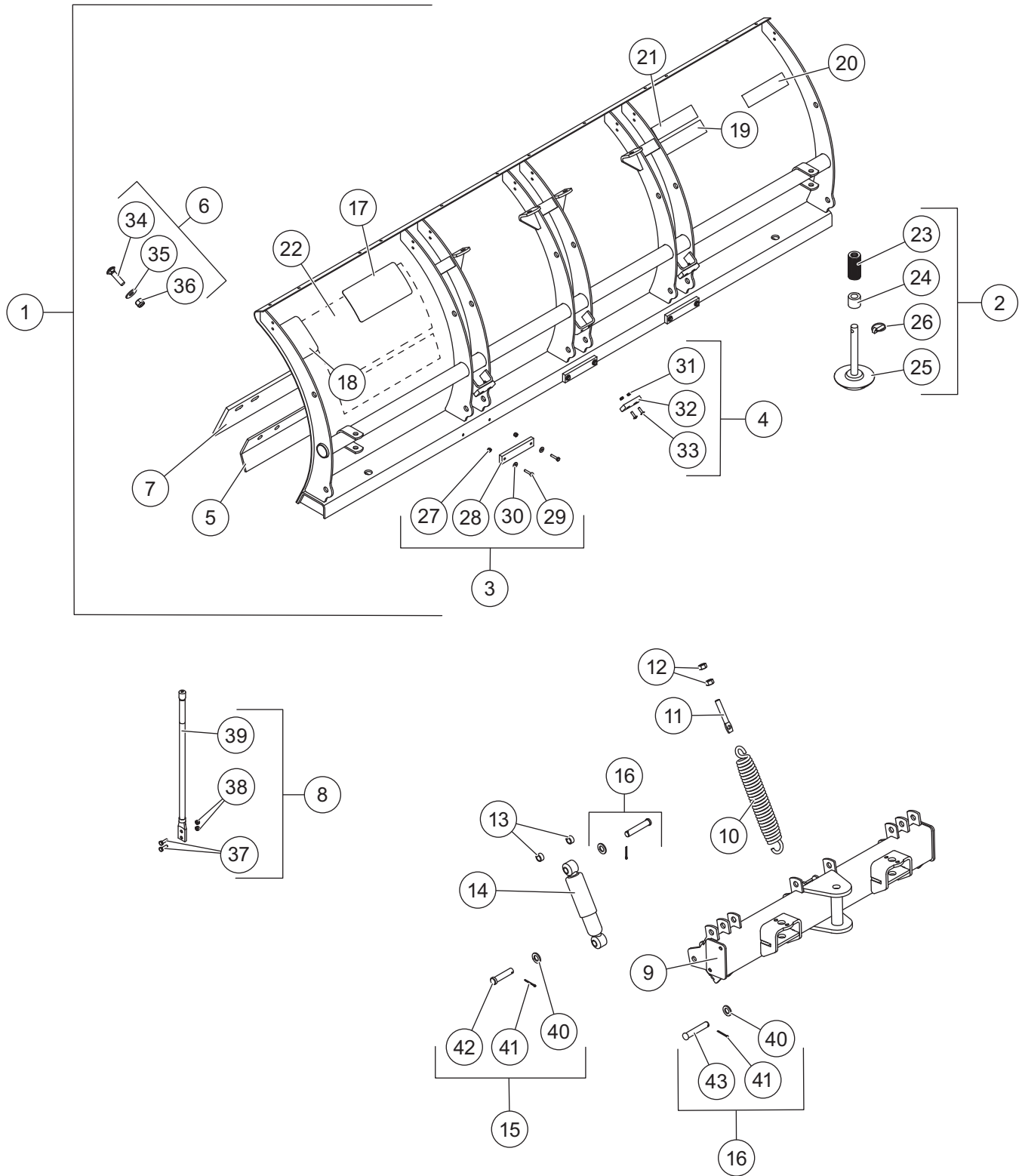
SKID STEER SNOWPLOW PRODIGY™ BLADE – 57820

A-Frame Components



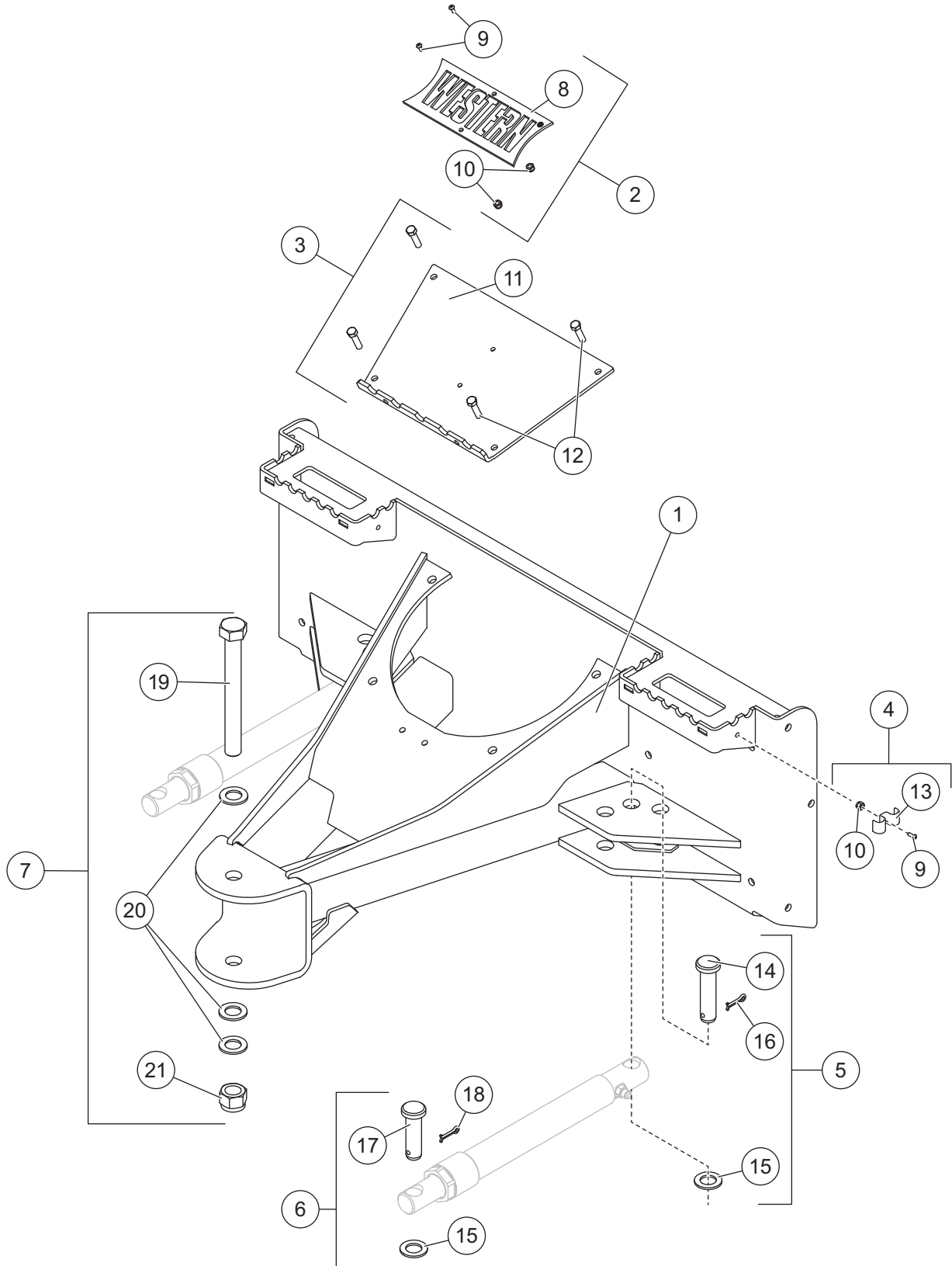
SKID STEER SNOWPLOW PRO PLUS® BLADE – 75720

Blade Components



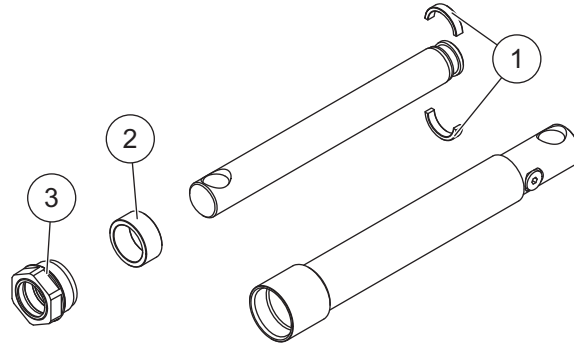
SKID STEER SNOWPLOW PRO PLUS® BLADE – 75720

A-Frame Components



SKID STEER SNOWPLOW – 57820/75720

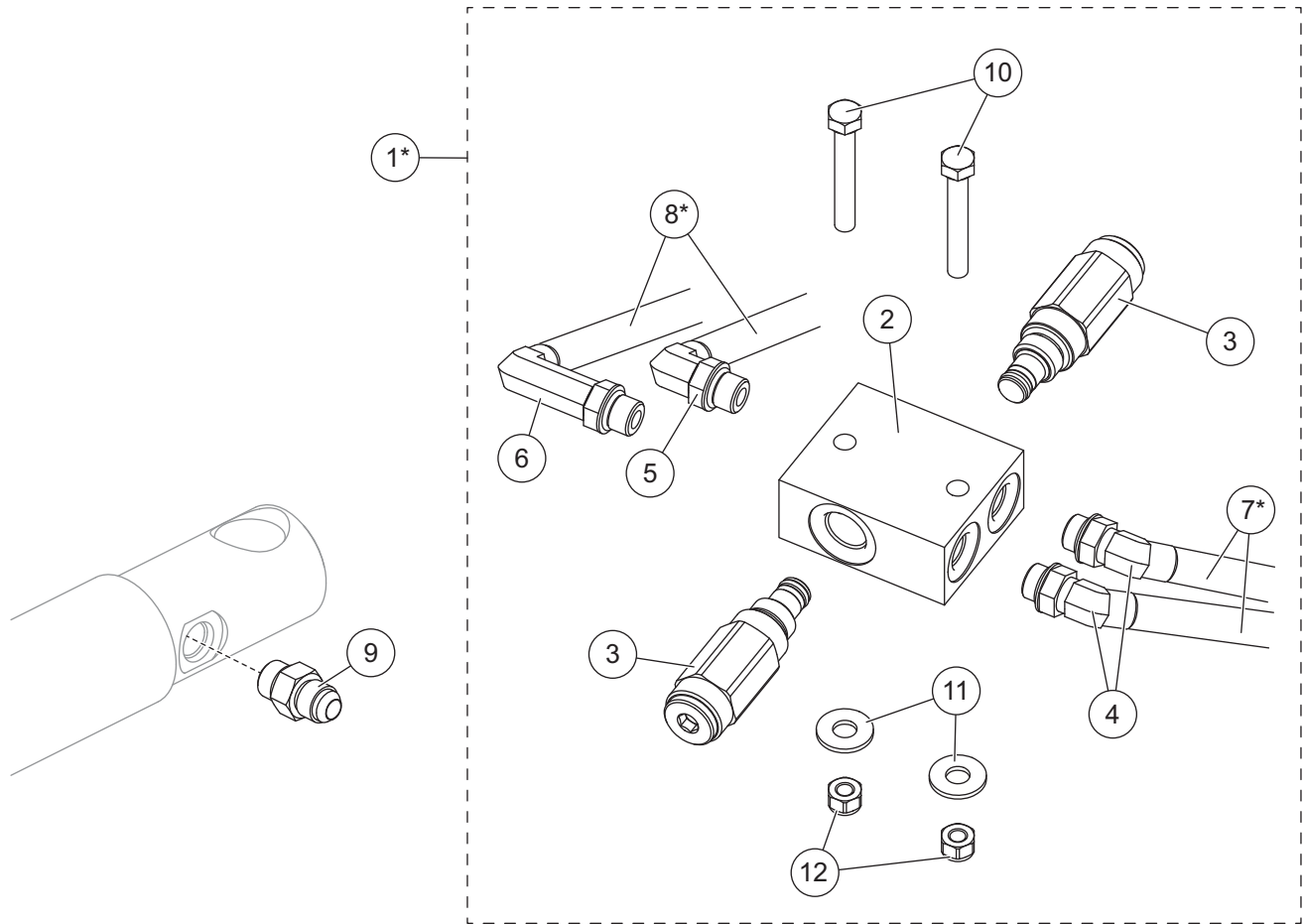
Angle Ram Components



64148 Angle Ram Assembly 1-1/2 x 12 (PRO PLUS®)							
49460 Angle Ram Assembly 1-1/2 x 10 (PRODIGY™)							
Item	Part	Qty	Description	Item	Part	Qty	Description
1	64650	2	Split Bearing 1-1/2	3	48985	1	Gland Nut Assembly
2	56537	1	Spacer				

SKID STEER SNOWPLOW – 57820/75720

Hydraulic Components



Hydraulic Components							
Item	Part	Qty	Description	Item	Part	Qty	Description
1*	57982	1	Relief Manifold w/Valves, Fittings & Hardware	6	64212-1	1	Elbow, Extra Long 90° –6 M JIC/ –6 M ORB
2	57984	1	Relief Manifold	7*	57965	2	Hose, 3/8 x 84 w/F JIC Ends
3	57895	2	Relief Valve, 3300 psi	8*	49496	2	Hose, 3/8 x 42 w/F JIC Ends
4	57877	2	Elbow, Special, 45° –6 M JIC/ –6 M ORB	9	43750	2	Connector, Short –6 M JIC/ –6 M ORB
5	56615-1	1	Elbow, 90° –6 M JIC/–6 M ORB	ns	57983	1	Hydraulic Hardware Bag
				ns	57893	1	1/2 Coupler Set (accessory only)
57983 Hydraulic Hardware Bag							
10		2	5/16-18 x 2-1/4 Hex Cap Screw G5	12		2	5/16-18 Hex Locknut
11		2	5/16 Flat Washer				
F = Female		G = Grade		M = Male		ns = not shown	

* Hoses not included in item 1.



Western Products
PO Box 245038
Milwaukee, WI 53224-9538
www.westernplows.com

 A DIVISION OF DOUGLAS DYNAMICS, LLC

Copyright © 2020 Douglas Dynamics, LLC. All rights reserved. This material may not be reproduced or copied, in whole or in part, in any printed, mechanical, electronic, film, or other distribution and storage media, without the written consent of Western Products. Authorization to photocopy items for internal or personal use by Western Products outlets or snowplow owner is granted.

Western Products reserves the right under its product improvement policy to change construction or design details and furnish equipment when so altered without reference to illustrations or specifications used. Western Products or the vehicle manufacturer may require or recommend optional equipment for snow removal. Do not exceed vehicle ratings with a snowplow. Western Products offers a limited warranty for all snowplows and accessories. See separately printed page for this important information. The following are registered (®) or unregistered (™) trademarks of Douglas Dynamics, LLC: CONTRACTOR GRADE®, PRO PLUS®, PRODIGY™, ULTRAFINISH™, WESTERN®.

Printed in U.S.A.