



6800, 7200

Light Truck Snowplow

Blade Assembly 77700, 77705

Big Box Assembly 77800

Parts List

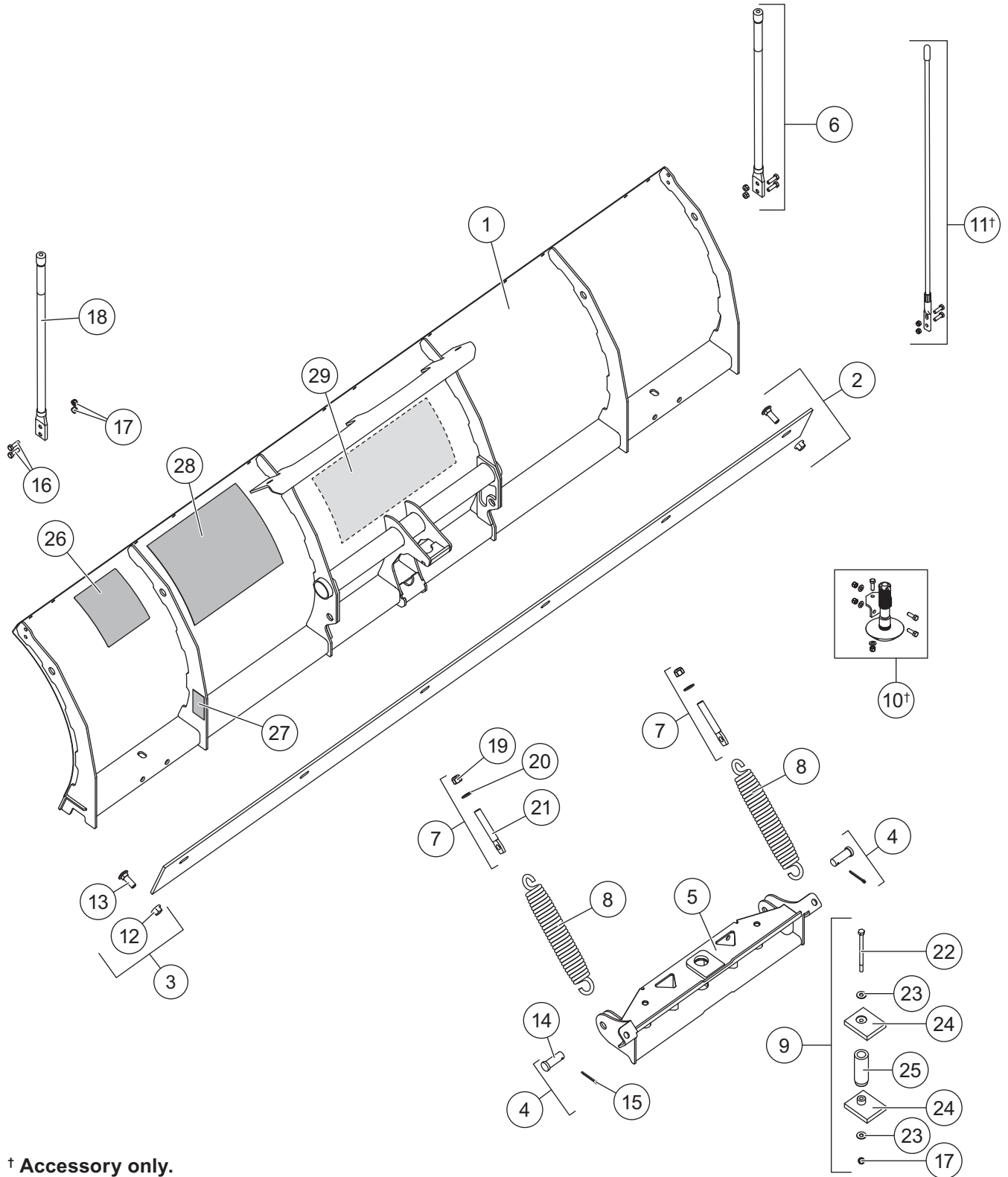


TABLE OF CONTENTS

LIGHT TRUCK BLADE ASSEMBLY	4
A-FRAME ASSEMBLY	6
HEADGEAR ASSEMBLY	8
HYDRAULIC AND ELECTRICAL COMPONENTS	10
Hydraulic Unit.....	10
Lift and Angle Rams	12
Hoses and Fittings.....	12
Electrical Components.....	13
VEHICLE-SIDE HARNESS DIAGRAM	14
HEADLAMPS	15

LIGHT TRUCK BLADE ASSEMBLY

Blade Components



† Accessory only.

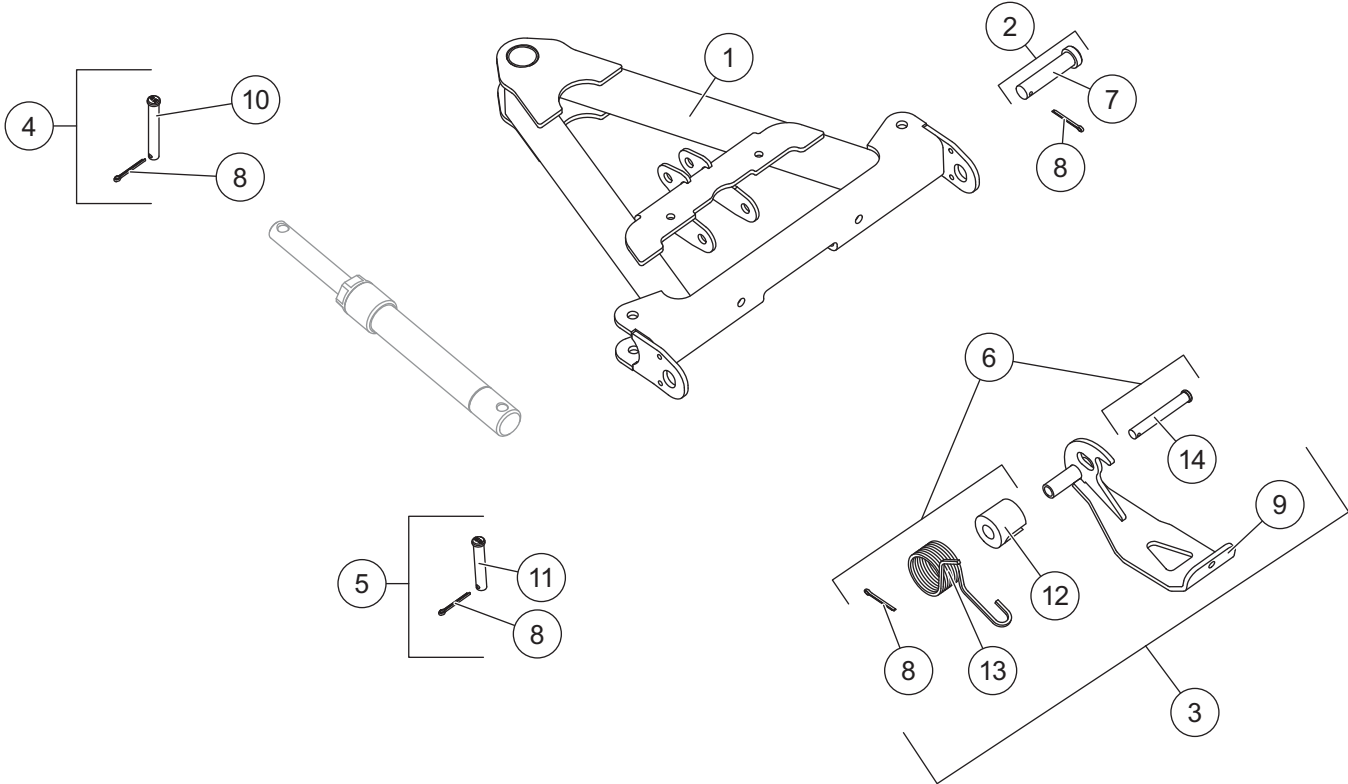
LIGHT TRUCK BLADE ASSEMBLY

77700/77705 Blade Components							
Item	Part	Qty	Description	Item	Part	Qty	Description
1	84554	1	6800LT Blade with Labels	7	84702	2	Eyebolt Kit
	84556	1	7200LT Blade with Labels	8	B61167	2	Trip Spring
2	B61458	1	1/4 Steel Cutting Edge Kit – 6800LT	9	84629	1	Center Pivot Bolt Kit
	B61531	1	1/4 Steel Cutting Edge Kit – 7200LT	10†	84506	1	Shoe Assembly Kit
3	B61255	1	Cutting Edge Bolt Bag – LT	11†	84477	1	36" Poly Blade Guide Kit
4	84631	2	3/4 x 2 Clevis Pin Kit with Cotter	ns	84640	1	Blade Label Kit – LT
5	84573	1	Quadrant LT	ns†	84524	1	Rubber Deflector Kit – LT
6	84525	1	24" Blade Guide Kit				
Item 2				B61458/B61531 1/4 Steel Cutting Edge Kit			
		1	1/4 Steel Cutting Edge	3	B61255	1	Cutting Edge Bolt Bag
Item 3				B61255 Cutting Edge Bolt Bag			
12		8	1/2-13 Hex Locknut GB	13		8	1/2-13 x 3-1/4 Carriage Bolt G8
Item 4				84631 3/4 x 2 Clevis Pin Kit with Cotter			
14		1	3/4 x 2 Clevis Pin	15		1	5/32 x 1-1/2 Cotter Pin
Item 6				84525 24" Blade Guide Kit			
16		4	5/16-18 x 1 Hex Cap Screw G5	18		2	24" Poly Blade Guide with Label
17		4	5/16-18 Hex Locknut GB				
Item 7				84702 Eyebolt Kit			
19		1	5/8-11 Hex Locknut GB	21		1	5/8-11 x 4 Eyebolt
20		1	5/8 Hardened Flat Washer				
Item 9				84629 Center Pivot Bolt Kit			
17		1	5/16-18 Hex Locknut GB	24	27615	2	Bumper, Personal Plow
22		1	5/16-18 x 5 Hex Cap Screw G5	25		1	Pivot Tube
23		2	5/16 Flat Washer Type A				
				84640 Blade Label Kit – LT			
26	59900	1	Label – Warning/Caution, Snowplows	28	52204	1	Label – Attach/Detach, Automatixx®
27	29256	1	Label – Warning, Foot Crush	29	77701	1	Label – Logo, LT Blade Center
ns = not shown				G = Grade			

† Accessory only.

A-FRAME ASSEMBLY

A-Frame Components

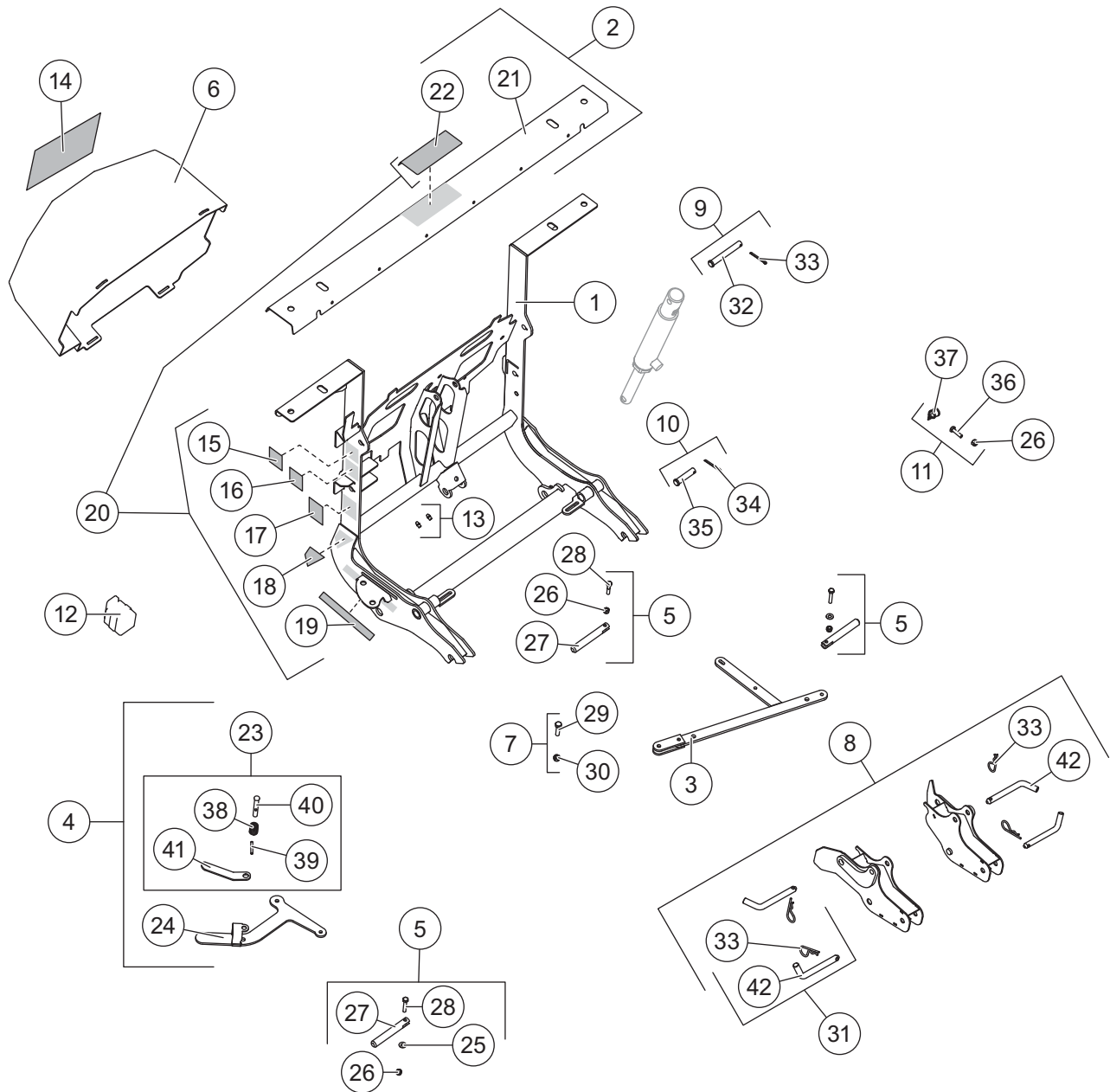


A-FRAME ASSEMBLY

A-Frame Components							
Item	Part	Qty	Description	Item	Part	Qty	Description
1	84587	1	A-Frame – LT	4	83629	4	1/2 x 3-11/16 Clevis Pin Kit
2	84618	2	A-Frame Pin Kit	5	85198	1	1/2 x 2-7/8 Clevis Pin Kit
3	84592	1	Stand Kit – LT	6	84615	1	Stand Hardware Kit
Item 2				84618 A-Frame Pin Kit			
		1	3/4 x 3-1/4 Clevis Pin			1	5/32 x 1-1/2 Cotter Pin
Item 3				84592 Stand Kit – LT			
	84615	1	Stand Hardware Kit			1	Stand
Item 4				83629 1/2 x 3-11/16 Clevis Pin Kit			
		1	5/32 x 1-1/2 Cotter Pin			1	1/2 x 3-11/16 Clevis Pin
Item 5				85198 1/2 x 2-7/8 Clevis Pin Kit			
		1	5/32 x 1-1/2 Cotter Pin			1	1/2 x 2-7/8 Clevis Pin
Item 6				84615 Stand Hardware Kit			
		1	5/32 x 1-1/2 Cotter Pin			1	Stand Torsion Spring
		1	Stand Spring Spacer			1	1/2 x 3-5/8 Clevis Pin

HEADGEAR ASSEMBLY

Headgear Components

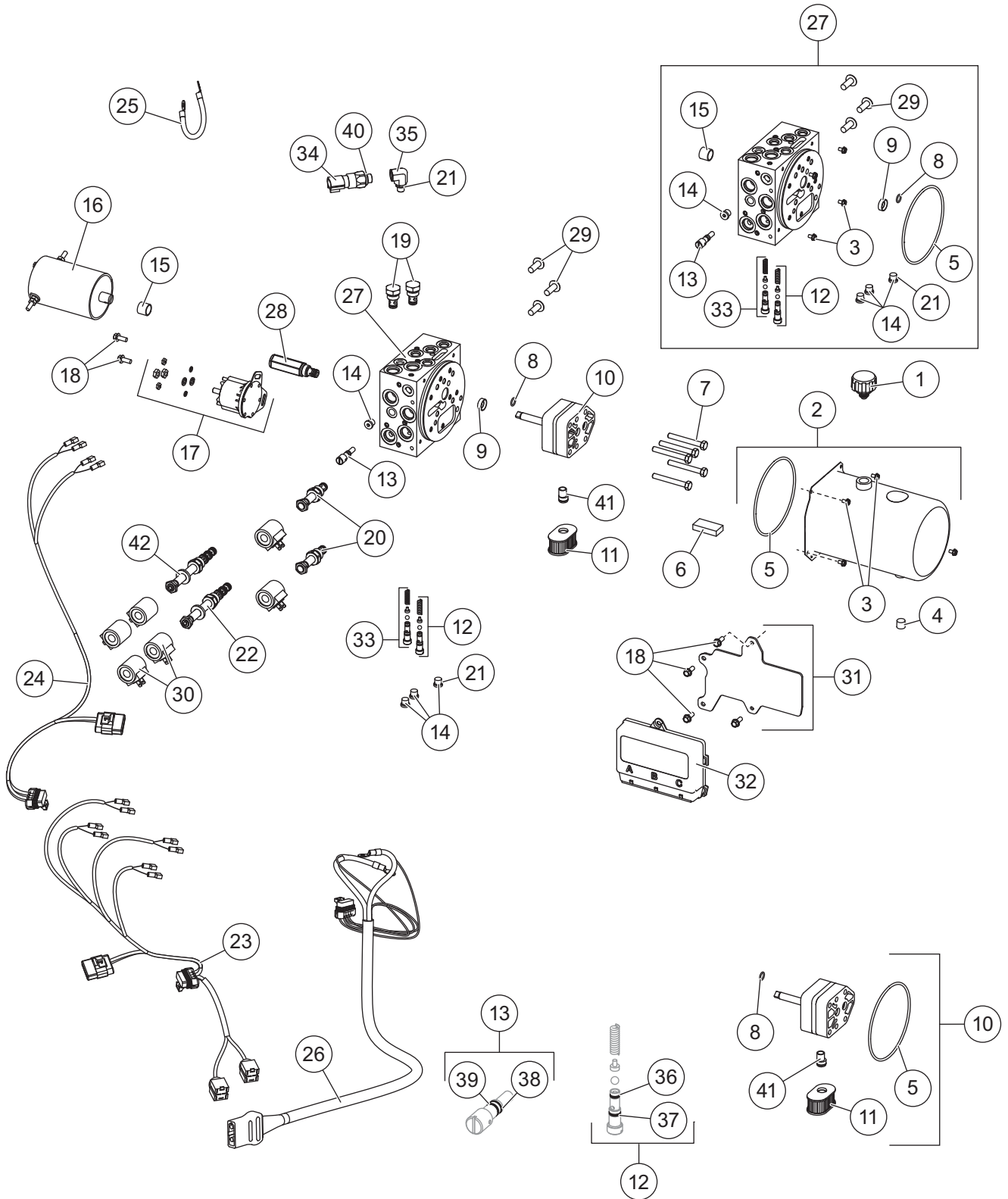


HEADGEAR ASSEMBLY

Headgear Components							
Item	Part	Qty	Description	Item	Part	Qty	Description
1	84617	1	Headgear – LT (incl. item 13)	11	84778	1	Clamp Loop Kit
2	84619	1	Light Bar Channel – LT	12	61246	1	Cable Boot
3	84597	1	Link Arm – LT	13	84616	1	Grease Zerk (pkg of 3)
4	84594	1	Attach Handle Kit – LT	14	43859	1	Label – Hydraulic Info, Straight Blades
5	84602	3	Hitch Pin Kit	15	52206	1	Label – Power Switch, Automatixx®
6	84648	1	Hydraulic Cover – LT/RD (incl. item 14)	16	52207	1	Label – Operation Switch, Automatixx
7	84635	1	Link Arm/Attach Handle Fastener Kit	17	69689	1	Label – Logo, SECURITY GUARD™
8	84839	1	LT Receiver Kit	18	77717	1	Label – Logo, Automatixx, Upper
9	85199	1	Lift Ram Base Pin Kit	19	77718	1	Label – Logo, Automatixx, Lower
10	84627	1	Lift Ram Rod Pin Kit	20	84646	1	Headgear Label Kit
Item 2 84619 Light Bar Channel – LT							
21		1	Light Bar	22	84553	1	Label – Light Bar, Center, SnowEx®
Item 4 84594 Attach Handle Kit – LT							
23	84596	1	Attach Handle Release Cam Kit	24	84004	1	Handle
Item 5 84602 Attach Pin Kit – LT							
25		1	1/4 Flat Washer	27		1	Hitch Pin
26		1	1/4-20 Hex Locknut GB	28		1	1/4-20 x 1-1/2 Hex Cap Screw SS
Item 7 84635 Link Arm/Attach Handle Fastener Kit							
29		1	5/16-18 x 1-1/4 Hex Cap Screw G5	30		1	5/16-18 Hex Locknut GB
Item 8 84839 LT Receiver Kit							
		1	Receiver, DS	31	84610	4	Receiver Pin Kit – LT
		1	Receiver, PS				
Item 9 85199 Lift Ram Base Pin Kit							
32		1	1/2 x 2-7/8 Clevis Pin	33		1	1/8 Hairpin Cotter
Item 10 84627 Lift Ram Rod Pin Kit							
34		1	5/32 x 1-1/2 Cotter Pin	35		1	1/2 x 2-1/8 Clevis Pin HT
Item 11 84778 Power Cable Clamp Loop Kit							
26		1	1/4-20 Hex Locknut GB	37		1	#10 Clamp Loop
36		1	1/4-20 x 1 Hex Cap Screw G5				
Item 20 84646 Headgear Label Kit							
15	52206	1	Label – Power Switch, Automatixx	18	77717	1	Label – Logo, Automatixx, Upper
16	52207	1	Label – Operation Switch, Automatixx	19	77718	1	Label – Logo, Automatixx, Lower
17	69689	1	Label – Logo, SECURITY GUARD	22	84553	1	Label – Light Bar, Center, SnowEx
Item 23 84596 Attach Handle Release Cam Kit							
38		1	Stand Lock Pin Spring	40		1	Handle Lock Pin
39		1	3/16 x 1-3/8 Roll Pin SS	41		1	Handle Lock Pin Lever
Item 31 84610 Receiver Pin Kit – LT							
33		1	Hairpin Cotter	42		1	1/2 x 4 Hitch Pin
HT = Heat Treated G = Grade SS = Stainless Steel							

HYDRAULIC AND ELECTRICAL COMPONENTS

Hydraulic Unit Components



HYDRAULIC AND ELECTRICAL COMPONENTS

52650 Hydraulic Unit						
Item	Part	Qty	Description	Item	Part	Qty Description
1	48278	1	Breather	22	52285	1 Valve, 4-Way, 3-Position Closed Center
2	52289	1	Reservoir Kit	23	52108	1 Plow Control Harness, 4-Coil
3	66607	4	#10-24 x 5/16 Machine Screw	24	52077	1 Plow Control Harness, 2-Coil
4	92079	1	Plug, Square 3/8 NPTF	25	29071	1 Vehicle Battery Cable 8"
5	66519	1	O-Ring 2-250	26	52291	1 Snowplow Battery Cable
6	73897	1	Magnet	27	52257	1 Manifold Assembly w/o Valves RD/LT
7	90073	5	5/16-18 x 2-1/4 Hex Cap Screw G5	28	42889	1 Relief Valve 4000 psi
8	56274	1	O-Ring -013	29	98043	3 3/8-16 x 1 Button Cap Screw
9*	66515	1	Pump Shaft Seal	30	52294	6 Coil
ns	52252	1	Seal Repair Tool Kit w/Seal	31	52293-1	1 Plate, Module
10	52287	1	Hydraulic Pump Kit	32	52292-1	1 Module, Plow Control
11	48281	1	Filter	33	52284	1 Relief Valve (1 set)
12	52282	1	Relief Valve (1 set)	34	84838	1 Pressure Switch
13	48517	1	Quill	35	52295	1 Elbow, 90° -4 M ORB/-6 F ORB
14	44344	4	Plug, Hex Socket -4 M ORB	36	55371	2 O-Ring -008
15†	56364	1	Bearing Sleeve	37	25731	2 O-Ring -010
ns	52251	1	Bearing Repair Tool Kit w/Bearing	38	48239	1 O-Ring -106
16	52299	1	Motor	39	48240	1 Back-Up Ring -106
17	52290	1	Motor Relay Kit, FLEET FLEX	40	56569	5 O-Ring -906
18	44355	6	1/4-20 x 5/8 Hex Washer-Head Thread-Rolling Screw	41	10887	1 Inlet Fitting
19	84934	2	Check Valve	42	84937	1 Valve, 4-Way, 3-Position
20	84936	2	Valve, 2-Way NC w/Rev Flow	ns		3 Fuse, 5A Mini Automotive Blade-Style (for items 25 and 26)
21	44343	5	O-Ring -904			
O-Ring Service Kits						
-	52298-1	-	O-Ring Kit	-	48310	- Seal Kit, 2-Way Valves
-	48309	-	Seal Kit, 3-Way & 4-Way Valves			
Item 2 52289 Reservoir Kit						
3	66607	4	#10-24 x 5/16 Machine Screw	5	66519	1 O-Ring 2-250
4	92079	1	Plug, Square 3/8 NPTF			
Item 27 52257 Manifold Assembly w/o Valves RD/LT						
3	66607	4	#10-24 x 5/16 Machine Screw	14	44344	4 Plug, Hex Socket -4 M ORB
5	66519	1	O-Ring 2-250	15	56364	1 Bearing Sleeve
8	56274	1	O-Ring -013	21	44343	5 O-Ring -904
9	66515	1	Pump Shaft Seal	29	98043	3 3/8-16 x 1 Button Cap Screw
12	52282	1	Relief Valve (1 set)	33	52284	1 Relief Valve (1 set)
13	48517	1	Quill			
ns = not shown		F = Female		M = Male		G = Grade

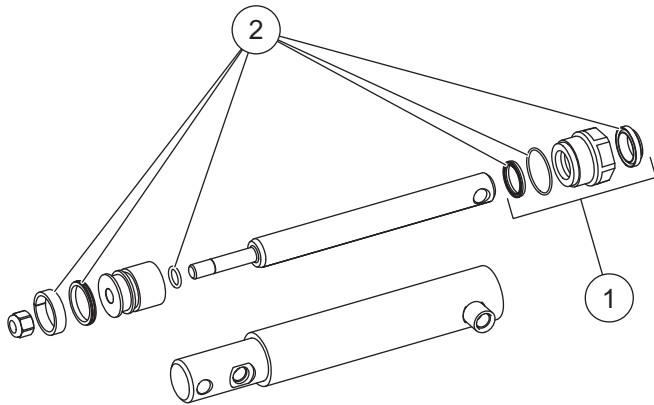
* Use 52252 tool to install.

† Use 52251 tool to install.

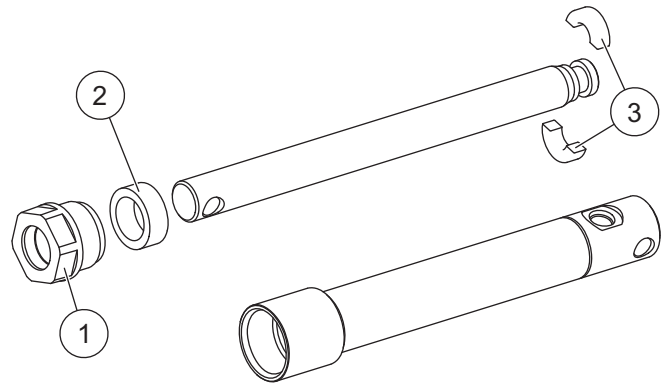
Go to www.snowexproducts.com for hydraulic unit service information and specifications.

HYDRAULIC AND ELECTRICAL COMPONENTS

Lift and Angle Ram Components

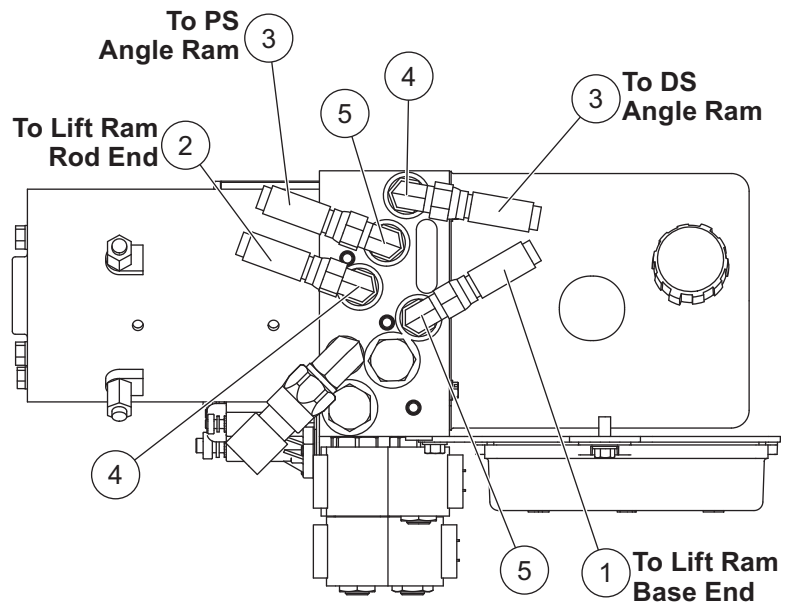
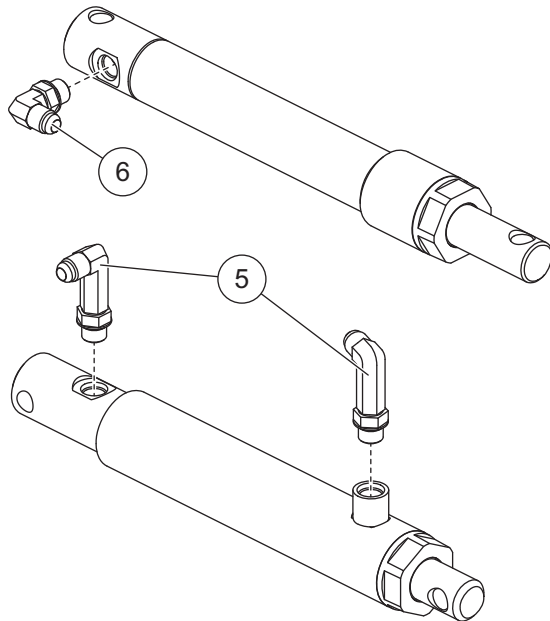


84430 Lift Ram Assembly 1-1/2 x 6 DA			
Item	Part	Qty	Description
1	52277	1	1" Gland Assembly
2	52302	1	Seal Kit 1-1/2 DA Ram



84426 Angle Ram Assembly 1 x 7			
Item	Part	Qty	Description
1	52277	1	1" Gland Nut Assembly
2	56803	1	Spacer
3	52276	1	1" Split Bearing Kit

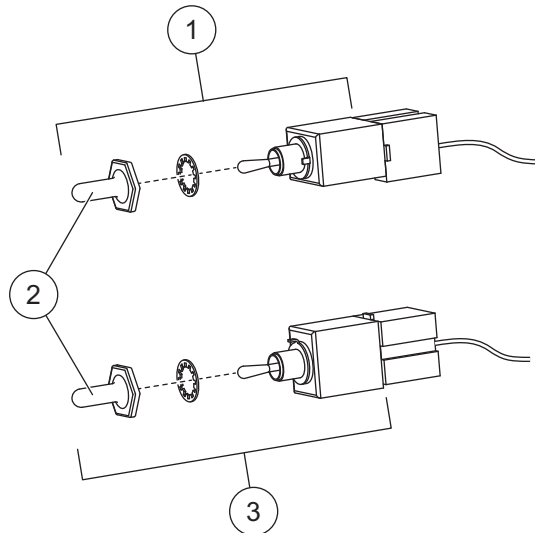
Hoses and Fittings



Hoses and Fittings							
Item	Part	Qty	Description	Item	Part	Qty	Description
1	84446	1	Hose, 1/4 x 14 w/F JIC Ends	5	40572	4	Elbow, Extra Long 90° -6 M JIC/-6 M ORB
2	84453	1	Hose, 1/4 x 20 w/F JIC Ends	6	77929	1	Elbow, 90° -6 M JIC/-6 M ORB w/Screen
3	52534	2	Hose, 3/8 x 32 w/F JIC Ends	ns	56823	1	Hose Wrap
4	56725	2	Elbow, 90° -6 M JIC/-6 M ORB				
			F = Female			ns = not shown	
						M = Male	

HYDRAULIC AND ELECTRICAL COMPONENTS

Electrical Components

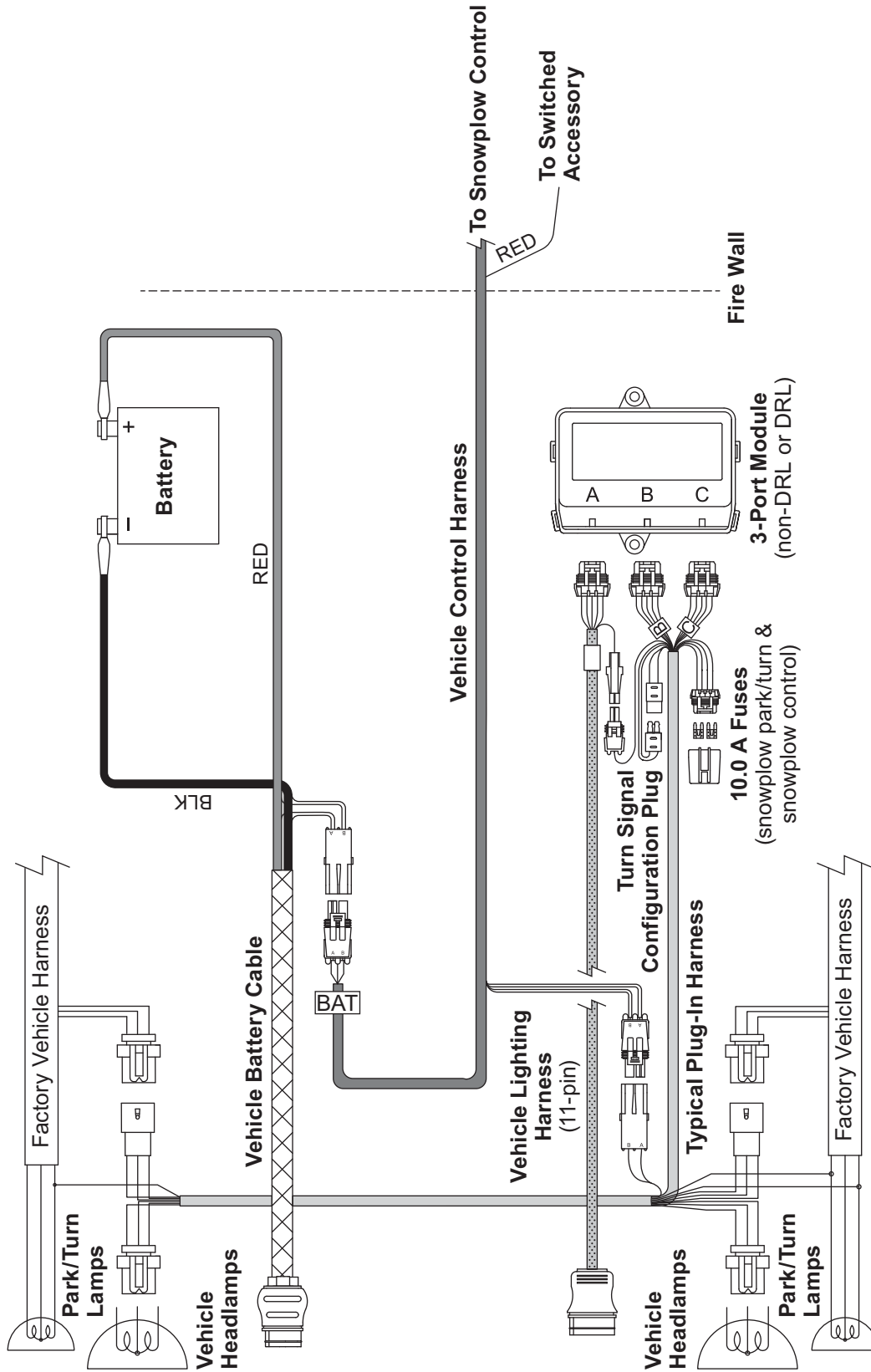


Plow-Side Electrical Components							
Item	Part	Qty	Description	Item	Part	Qty	Description
1	40575	1	Toggle Switch (MOM-ON, OFF, ON)	3	40576	1	Toggle Switch (MOM-ON, OFF, MOM-ON)
2	48259	2	Switch Boot				
Vehicle-Side Electrical Components							
*	42014	1	Vehicle Battery Cable	ns	48325	2	Plug Cover
*	28587	1	Vehicle Control Harness				
ns = not shown							

* For diagram see Vehicle-Side Harness Diagram.

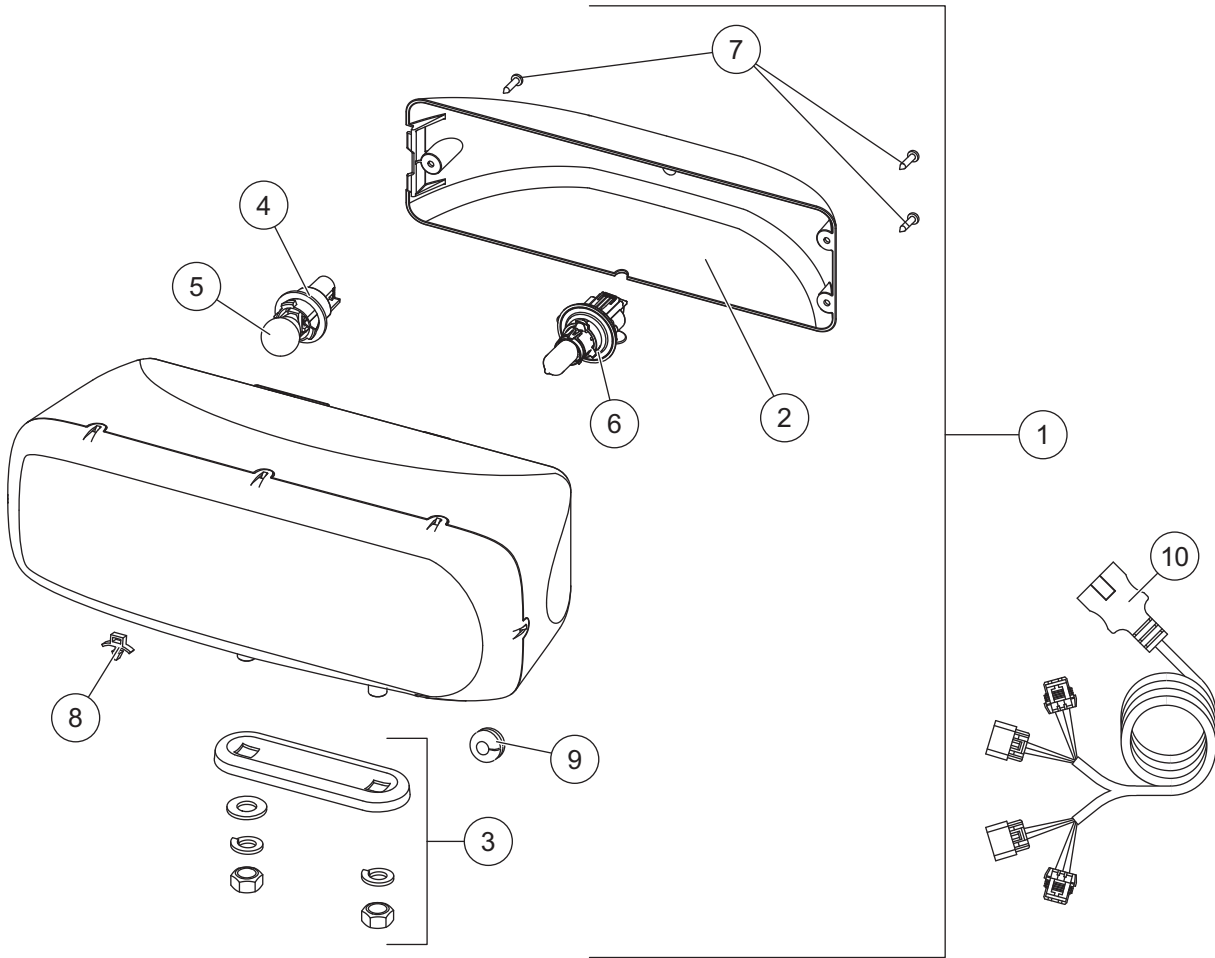
VEHICLE-SIDE HARNESS DIAGRAM

Vehicle-Side Harness Diagram



HEADLAMPS

Headlamp Components



28800-1 Headlamp Kit (pair)						
Item	Part	Qty	Description	Item	Part	Qty Description
1	28802-1	1	Headlamp Service Kit – PS	6	28806	2 H13 Headlamp Bulb Service Kit
ns	28801-1	1	Headlamp Service Kit – DS	7	28808-1	2 Cover Screws Service Kit (3 screws)
2	28803-1	2	Rear Cover Kit (fits 2- or 3-screw)	8	56595	6 Cable Anchor Tie
3	28804	2	Mounting Hardware Kit	9	66130	2 Rubber Grommet
4	28805	2	Park/Turn Socket Service Kit	10	28213K	1 Harness Service Kit
5		2	Park/Turn Bulb (trade no. 4157NAK)			

ns = not shown



TrynEx International, LLC
531 Ajax Drive
Madison Heights, MI 48071-2429
www.snowexproducts.com

 A DIVISION OF DOUGLAS DYNAMICS, LLC

Copyright © 2021 Douglas Dynamics, LLC. All rights reserved. This material may not be reproduced or copied, in whole or in part, in any printed, mechanical, electronic, film, or other distribution and storage media, without the written consent of TrynEx International, LLC. Authorization to photocopy items for internal or personal use by TrynEx International outlets or snowplow owner is granted.

TrynEx International reserves the right under its product improvement policy to change construction or design details and furnish equipment when so altered without reference to illustrations or specifications used. TrynEx International or the vehicle manufacturer may require or recommend optional equipment for snow removal. Do not exceed vehicle ratings with a snowplow. TrynEx International offers a limited warranty for all snowplows and accessories. See separately printed page for this important information. The following are registered (®) or unregistered (™) trademarks of Douglas Dynamics, LLC: Automatix®, SECURITY GUARD™, SnowEx®.

Printed in U.S.A.