

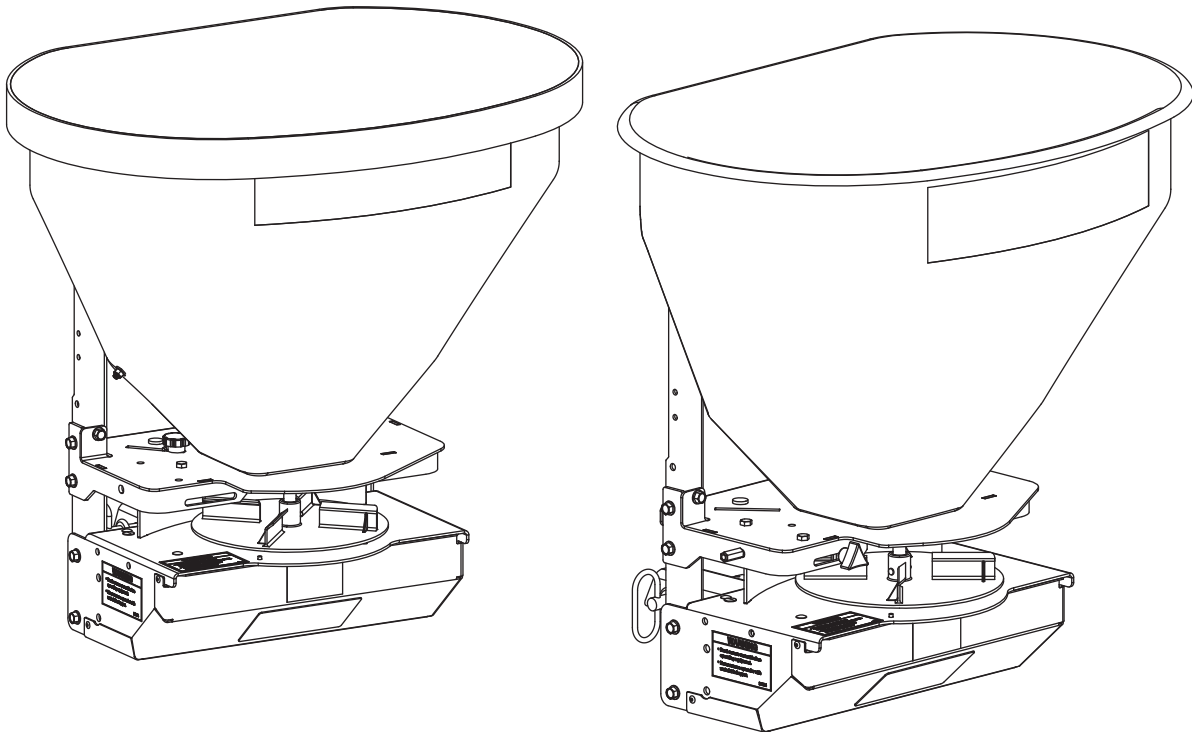


Hopper and Drive Components

Model SP-100-1 & SP-125-1

Low-Profile Tailgate Spreader

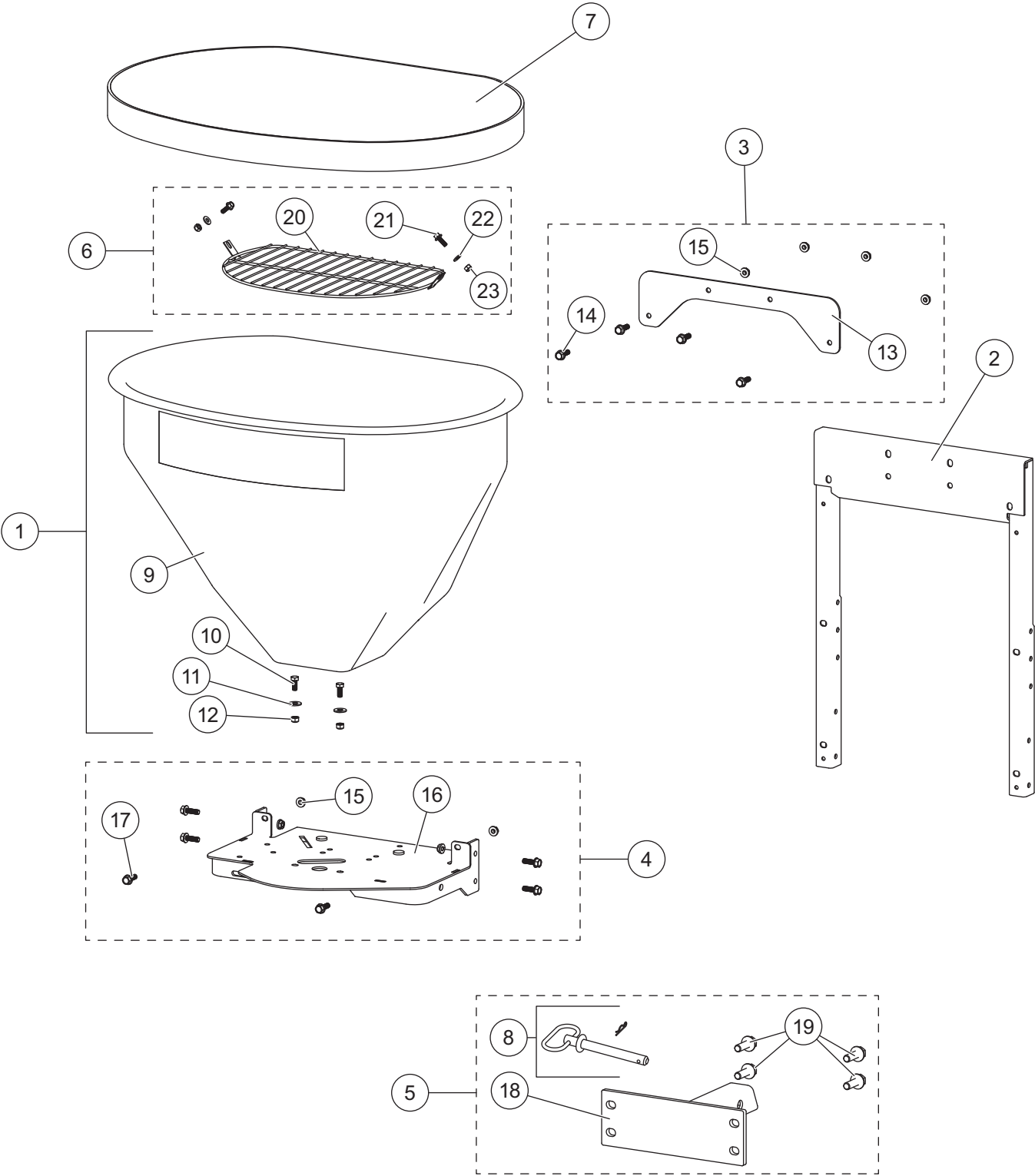
Parts List



This manual is for SnowEx® SP-100-1 & SP-125-1 tailgate spreaders with serial numbers beginning with 170109 and higher.

SP-100-1 & SP-125-1 LOW-PROFILE TAILGATE SPREADER

SP-100-1 HOPPER COMPONENTS

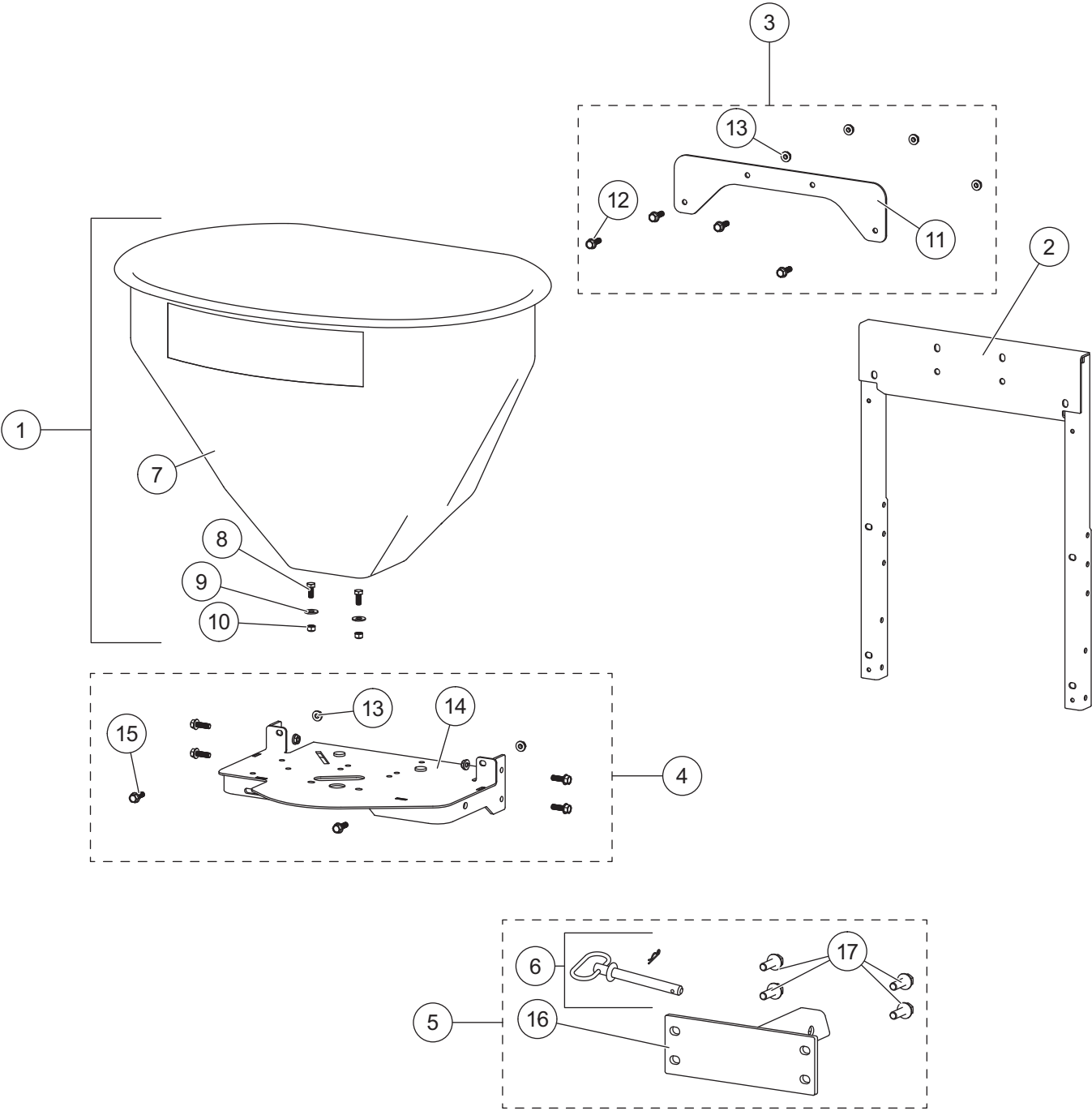


SP-100-1 & SP-125-1 LOW-PROFILE TAILGATE SPREADER

SP-100-1 Low-Profile Tailgate Spreader Hopper Components							
Item	Part	Qty	Description	Item	Part	Qty	Description
1	75406	1	Hopper Kit (yellow)	5	75619	1	Receiver Kit
2	75572	1	Hopper Frame	6	75407	1	Top Screen Kit
3	75570	1	Hopper Support Kit	7	WSC-020	1	Weather Cover
4	75405	1	Hopper Support Frame Kit	8	75620	1	Hitch Pin Kit
Item 1				75406 Hopper Kit (yellow)			
9		1	Hopper	11		2	5/16 Flat Washer SS
10		2	5/16-18 x 3/4 Hex Cap Screw SS	12		2	5/16 Locknut SS
Item 3				75570 Hopper Support Kit			
13		1	Backing Plate	15		4	5/16-18 Serrated Flange Nut
14		4	5/16-18 x 1 Serrated Flange Hex Cap Screw SS				
Item 4				75405 Hopper Support Frame Kit			
15		6	5/16-18 Serrated Flange Nut	17		6	5/16-18 x 1 Serrated Flange Hex Cap Screw
16		1	Hopper Support				
Item 5				75619 Receiver Kit			
8	75620	1	5/8 x 5-1/2 Hitch Pin w/Hairpin Cotter	19		4	1/2-13 x 1-1/2 Hex Cap Screw G5
18		1	Utility Hitch, 2" Receiver				
Item 6				75407 Top Screen Kit			
20		1	Top Screen, Utility	22		2	1/4 Flat Washer SS
21		2	1/4-20 x 3/4 Serrated Flange Hex Cap Screw SS	23		2	1/4-20 Locknut SS
SS = Stainless Steel				G = Grade			

SP-100-1 & SP-125-1 LOW-PROFILE TAILGATE SPREADER

SP-125-1 HOPPER COMPONENTS

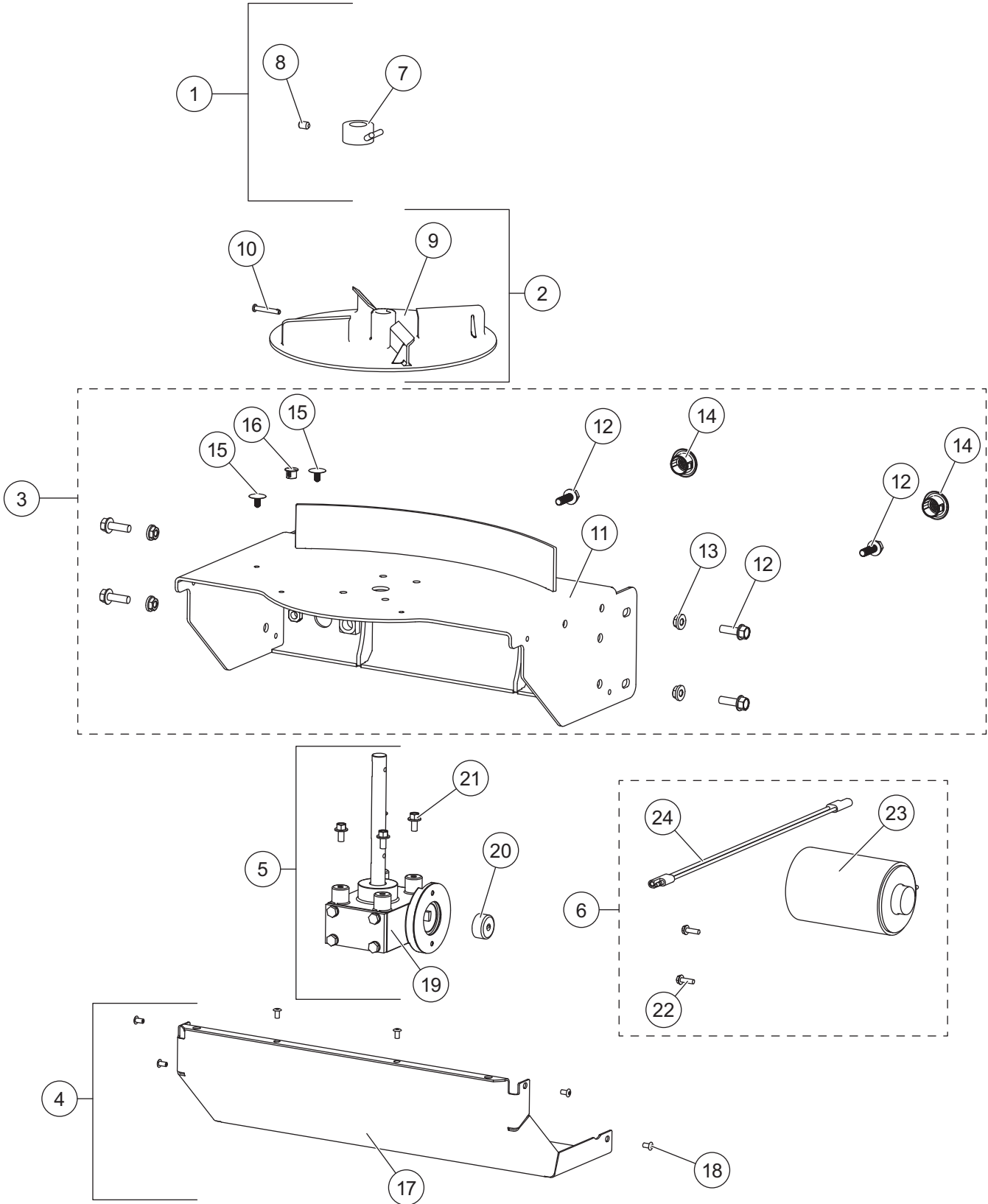


SP-100-1 & SP-125-1 LOW-PROFILE TAILGATE SPREADER

SP-125-1 Low-Profile Tailgate Spreader Hopper Components							
Item	Part	Qty	Description	Item	Part	Qty	Description
1	75406	1	Hopper Kit (yellow)	4	75405	1	Hopper Support Frame Kit
2	75572	1	Hopper Frame	5	75619	1	Receiver Kit
3	75570	1	Hopper Support Kit	6	75620	1	5/8 x 5-1/2 Hitch Pin w/Hairpin Cotter
Item 1				75406 Hopper Kit (yellow)			
7		1	Hopper	9		2	5/16 Flat Washer SS
8		2	5/16-18 x 3/4 Hex Cap Screw SS	10		2	5/16 Locknut SS
Item 3				75570 Hopper Support Kit			
11		1	Backing Plate	13		4	5/16-18 Serrated Flange Nut
12		4	5/16-18 x 1 Serrated Flange Hex Cap Screw SS				
Item 4				75405 Hopper Support Frame Kit			
13		6	5/16-18 Serrated Flange Nut	15		6	5/16-18 x 1 Serrated Hex Cap Screw
14		1	Hopper Support				
Item 5				75619 Receiver Kit			
6	75620	1	5/8 x 5-1/2 Hitch Pin w/Hairpin Cotter	17		4	1/2-13 x 1-1/2 Hex Cap Screw G5
16		1	Utility Hitch, 2" Receiver				
SS = Stainless Steel				G = Grade			

SP-100-1 & SP-125-1 LOW-PROFILE TAILGATE SPREADER

SP-100-1 & SP-125-1 DRIVE COMPONENTS

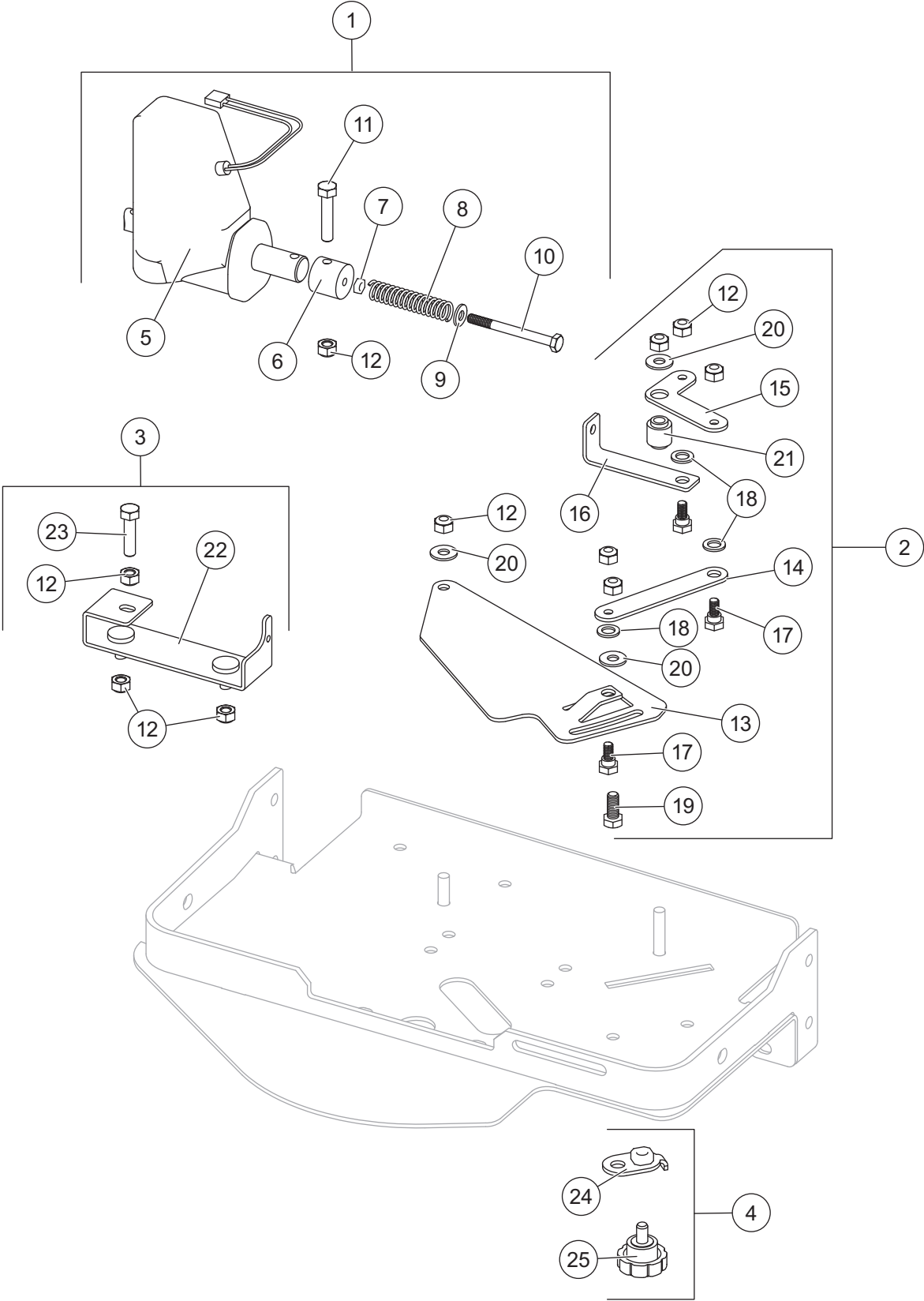


SP-100-1 & SP-125-1 LOW-PROFILE TAILGATE SPREADER

SP-100-1 & SP-125-1 Drive Components							
Item	Part	Qty	Description	Item	Part	Qty	Description
1	75408	1	Agitator Kit	6	75418	1	Motor Kit – SP-125-1 (shown)
2	75618	1	Spinner Kit		75417	1	Motor Kit – SP-100-1 (not shown)
3	75628	1	Transmission Enclosure Kit	ns	D6402	1	Label – Warning
4	75624	1	Transmission Enclosure Cover Kit	ns	11100	1	Label – Warning, Rear Camera
5	75625	1	Transmission Kit				
Item 1				75408 Agitator Kit			
7		1	Agitator	8		1	5/16-18 x 3/8 Set Screw
Item 2				75618 Spinner Kit			
9		1	Spinner, Poly	10		1	3/16 x 1-1/4 Clevis Pin
Item 3				75628 Transmission Enclosure Kit			
11		1	Transmission Mount	14		2	Break-Thru Plug
12		6	5/16-18 x 1 Serrated Flange Hex Cap Screw	15		2	1/4 Retainer
13		4	5/16-18 Serrated Flange Nut	16		1	1/2 Cap Plug
Item 4				75624 Transmission Enclosure Cover Kit			
17		1	Transmission Enclosure Cover	18		6	3/16 x 0.354 Rivet
Item 5				75625 Transmission Kit			
19		1	Transmission 14.5:1	21		4	1/4-20 x 1/2 Serrated Flange Hex Cap Screw SS
20		1	Motor Drive Coupler				
Item 6				75418 Motor Kit – SP-125-1 (shown)			
22		2	#10-32 x 5/8 Serrated Flange Hex Cap Screw	23		1	3 x 3.8 12V DC Motor
				24		1	Motor Connector Adapter, 16.5"
Item 6				75417 Motor Kit – SP-100-1 (not shown)			
22		2	#10-32 x 5/8 Serrated Flange Hex Cap Screw	23		1	3 x 3.8 12V DC Motor
				24		1	Motor Connector Adapter, 6"
ns = not shown				SS = Stainless Steel			

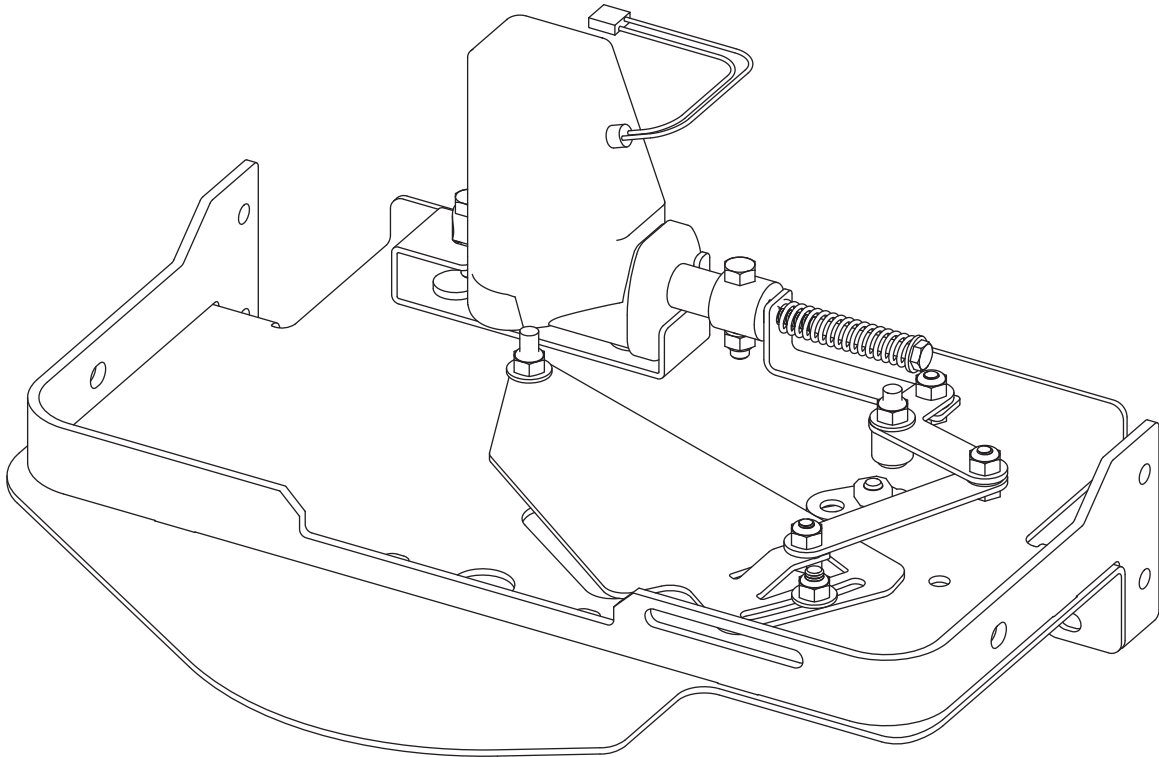
SP-100-1 & SP-125-1 LOW-PROFILE TAILGATE SPREADER

SP-100-1 ELECTRIC GATE



SP-100-1 & SP-125-1 LOW-PROFILE TAILGATE SPREADER

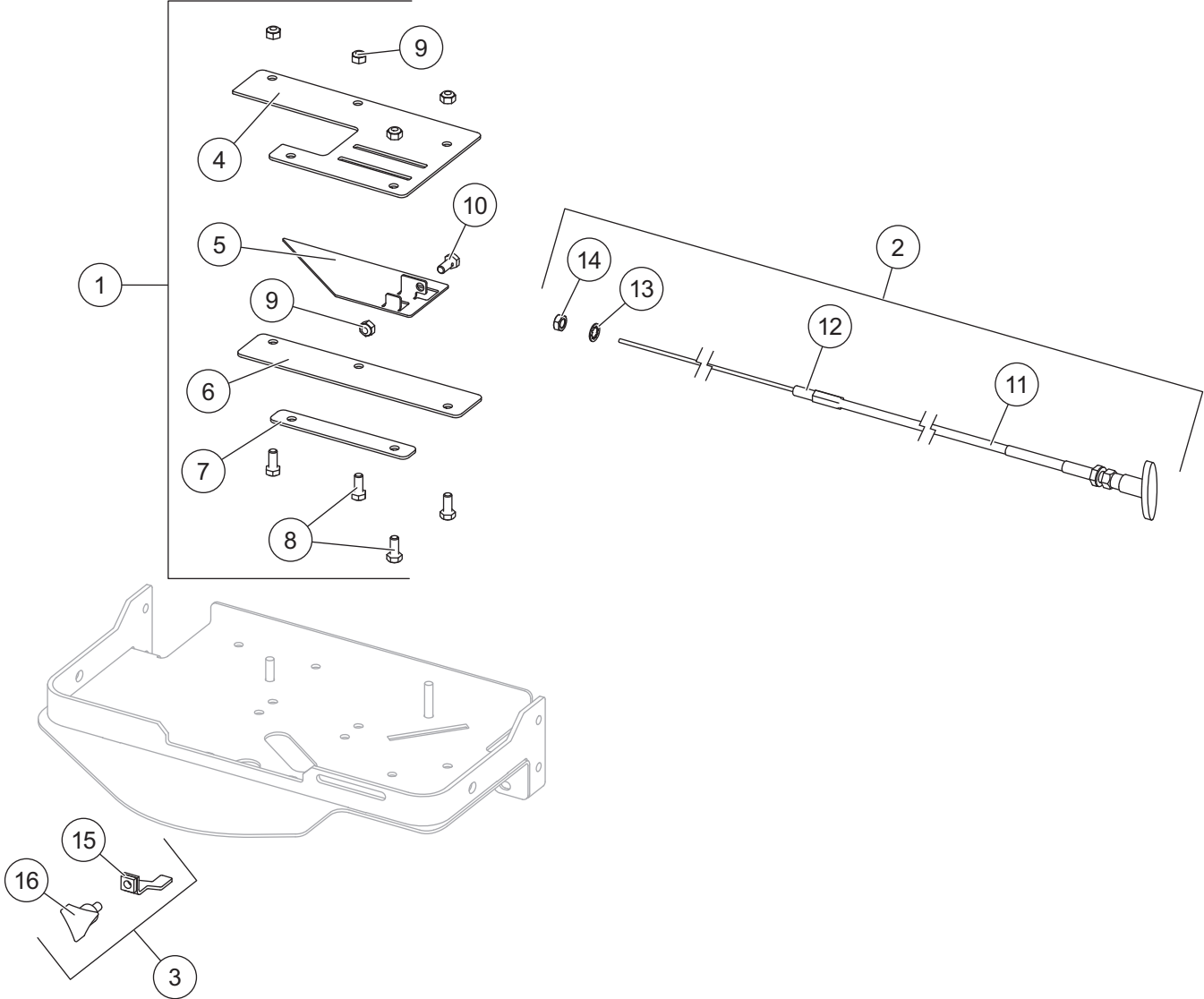
SP-100-1 ELECTRIC GATE



SP-100-1 Electric Gate Kit Components							
Item	Part	Qty	Description	Item	Part	Qty	Description
1	75412	1	Actuator Assembly Kit	3	75414	1	Actuator Mount Kit
2	75413	1	Gate/Gate Linkage Kit	4	75415	1	Gate Slide Stop Kit
Item 1				75412 Actuator Assembly Kit			
5		1	Actuator Assembly	9		1	1/4 Flat Washer SS
6		1	Actuator Adapter	10		1	1/4-20 x 2-3/4 Hex Cap Screw
7		1	1/4-20 Jam Nut	11		1	5/16-18 x 1-1/2 Hex Cap Screw SS
8	T15094	1	Compression Spring	12		1	5/16-18 Locking Hex Nut SS
Item 2				75413 Gate/Gate Linkage Kit			
12		6	5/16-18 Locking Hex Nut SS	17		1	Gate Linkage Shoulder Bolt SS
13		1	Gate Slide	18		3	3/8 Nylon Flat Washer
14		1	Gate Slide Arm	19		1	5/16-18 x 3/4 Hex Cap Screw SS
15		1	Pivot Link Arm	20		3	1/4 Nylon Flat Washer
16		1	Actuator Link Arm	21		1	Gate Linkage Spacer
Item 3				75414 Actuator Mount Kit			
12		3	5/16-18 Locking Hex Nut SS	23		1	5/16-18 x 1-1/4 Hex Cap Screw SS
22		1	Actuator Mount Bracket				
Item 4				75415 Gate Slide Stop Kit			
24		1	Gate Slide Stop	25		1	Round Knob
SS = Stainless Steel							

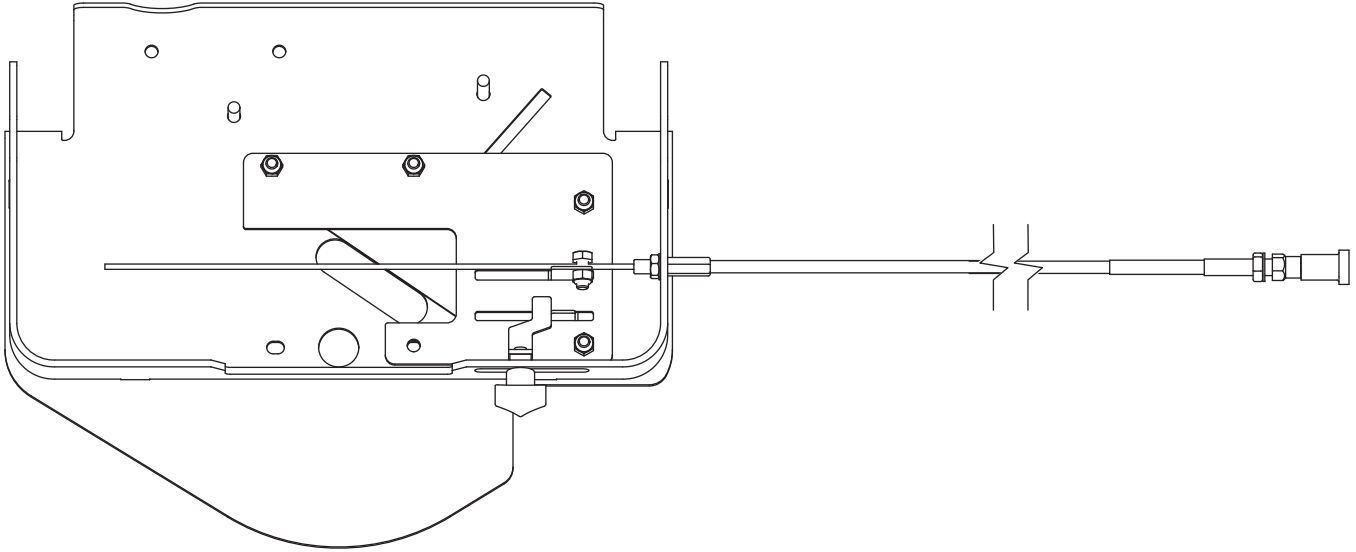
SP-100-1 & SP-125-1 LOW-PROFILE TAILGATE SPREADER

SP-125-1 MANUAL GATE



SP-100-1 & SP-125-1 LOW-PROFILE TAILGATE SPREADER

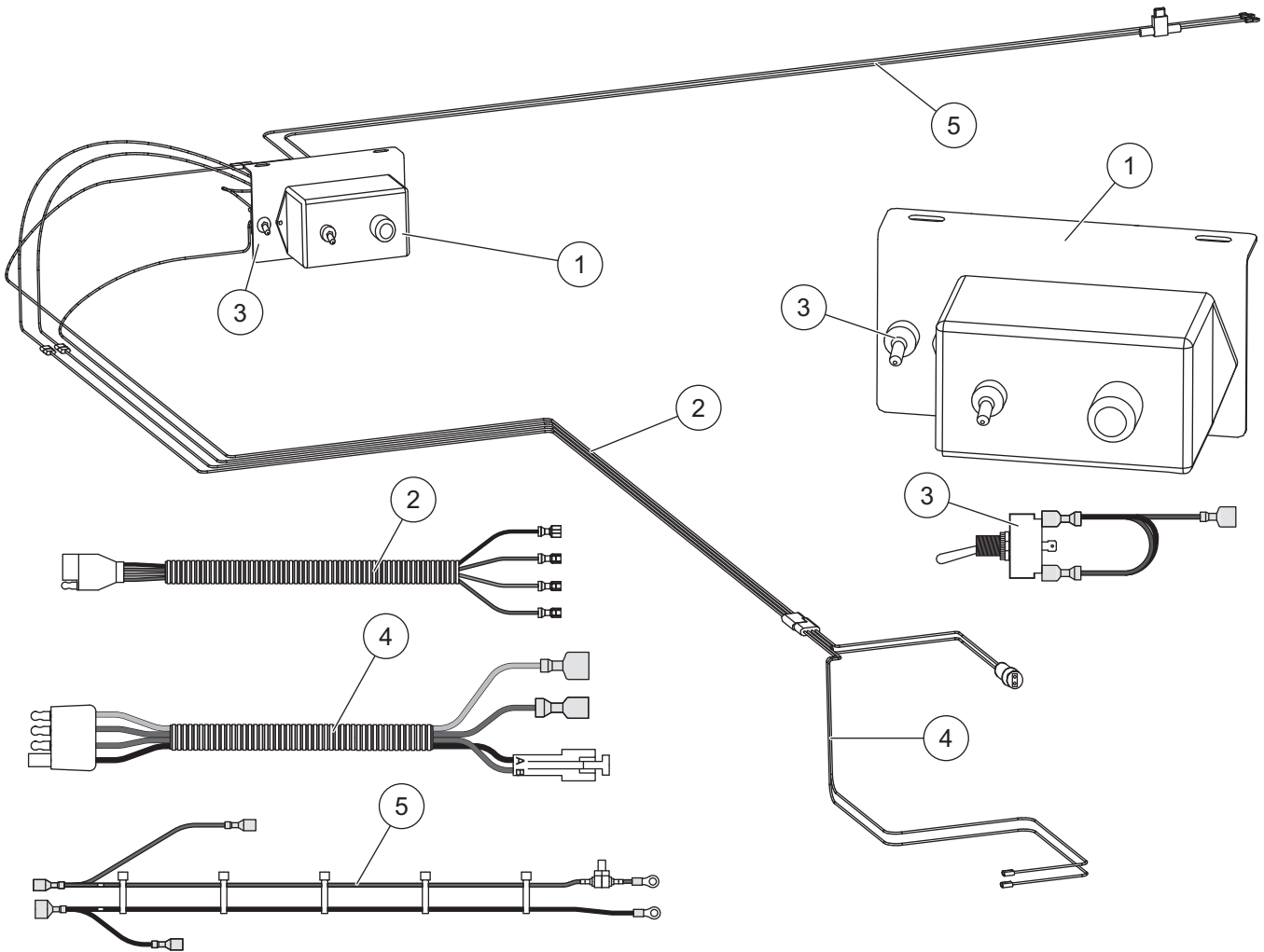
SP-125-1 MANUAL GATE



SP-125-1 Manual Gate Kit Components							
Item	Part	Qty	Description	Item	Part	Qty	Description
1	75409	1	Manual Gate Kit	3	75411	1	Gate Stop Indicator Kit
2	75410	1	10' T-Handle Cable Kit				
Item 1				75409 Manual Gate Kit			
4		1	Gate Track	8		4	5/16-18 x 3/4 Hex Cap Screw SS
5		1	Gate Slide	9		5	5/16-18 Locknut SS
6		1	Gate Track Spacer	10		1	5/16-18 x 3/4 Cap Screw w/Pilot Hole
7		1	Short Gate Track Spacer				
Item 2				75410 10' T-Handle Cable Kit			
11		1	10' T-Handle Cable	13		1	5/16 Star Lock Washer
12		1	Bulkhead Cable Fitting	14		1	3/8-24 Hex Jam Nut
Item 3				75411 Gate Stop Indicator Kit			
15		1	Gate Stop Indicator	16		1	Triangle Knob
SS = Stainless Steel							

SP-100-1 & SP-125-1 LOW-PROFILE TAILGATE SPREADER

MODEL SP-100-1 SPREADER CONTROL HARNESS KIT

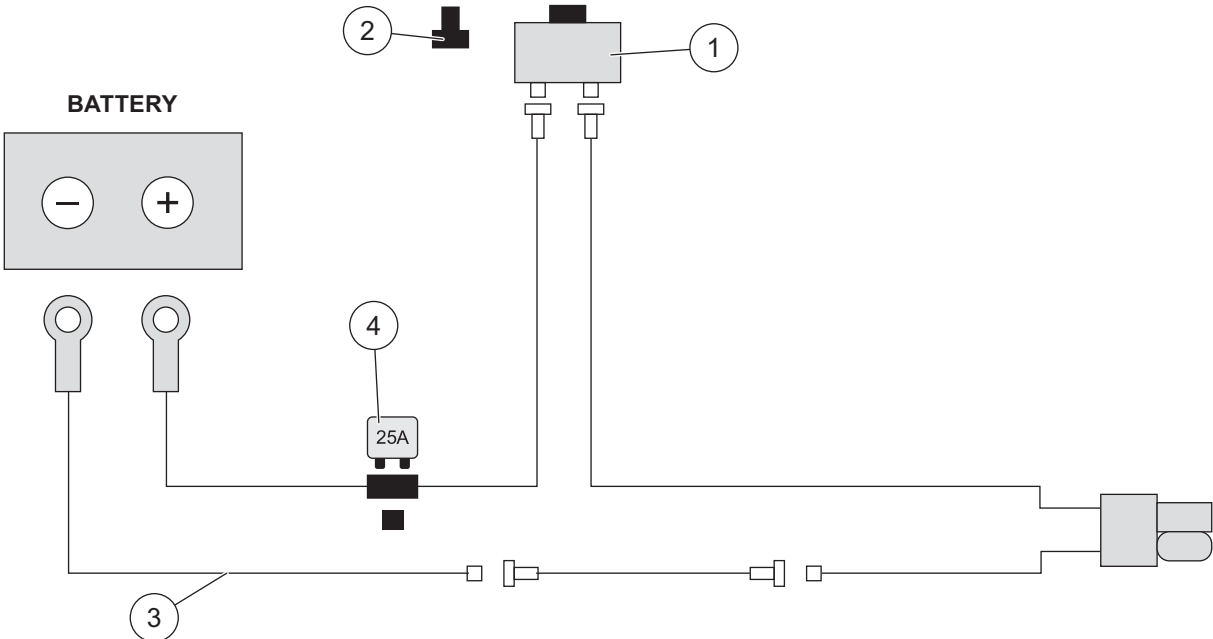


SP-100-1 Spreader Control Harness Kit Components

Item	Part	Qty	Description	Item	Part	Qty	Description
1	75419	1	Spreader Control	4	75422	1	Spreader Harness
2	75420	1	Vehicle Harness	5	75423	1	Control Power Cable
3	75421	1	Switch Assembly				

SP-100-1 & SP-125-1 LOW-PROFILE TAILGATE SPREADER

MODEL SP-125-1 SPREADER CONTROL HARNESS KIT



75424 Spreader Control Harness Kit							
Item	Part	Qty	Description	Item	Part	Qty	Description
1		1	ON/OFF Switch	3		1	Wiring Harness
2		1	Rubber Switch Boot	4		1	25A Breaker

SP-100-1 & SP-125-1 LOW-PROFILE TAILGATE SPREADER



TrynEx International, LLC
531 Ajax Drive
Madison Heights, MI 48071-2429
www.snowexproducts.com

 A DIVISION OF DOUGLAS DYNAMICS, LLC

Copyright © 2019 Douglas Dynamics, LLC. All rights reserved. This material may not be reproduced or copied, in whole or in part, in any printed, mechanical, electronic, film, or other distribution and storage media, without the written consent of TrynEx International, LLC. Authorization to photocopy items for internal or personal use by TrynEx International outlets or spreader owner is granted.

TrynEx International reserves the right under its product improvement policy to change construction or design details and furnish equipment when so altered without reference to illustrations or specifications used. TrynEx International or the vehicle manufacturer may require or recommend optional equipment for spreaders. Do not exceed vehicle ratings with a spreader. TrynEx International offers a limited warranty for all spreaders and accessories. See separately printed page for this important information. The following is a registered (®) trademark of Douglas Dynamics, LLC: SnowEx®.

Printed in U.S.A.