



**8600**

**SPEEDWING™ Snowplow**

**Blade Assembly 77740**

**Big Box Assembly 77840**

**Parts List**





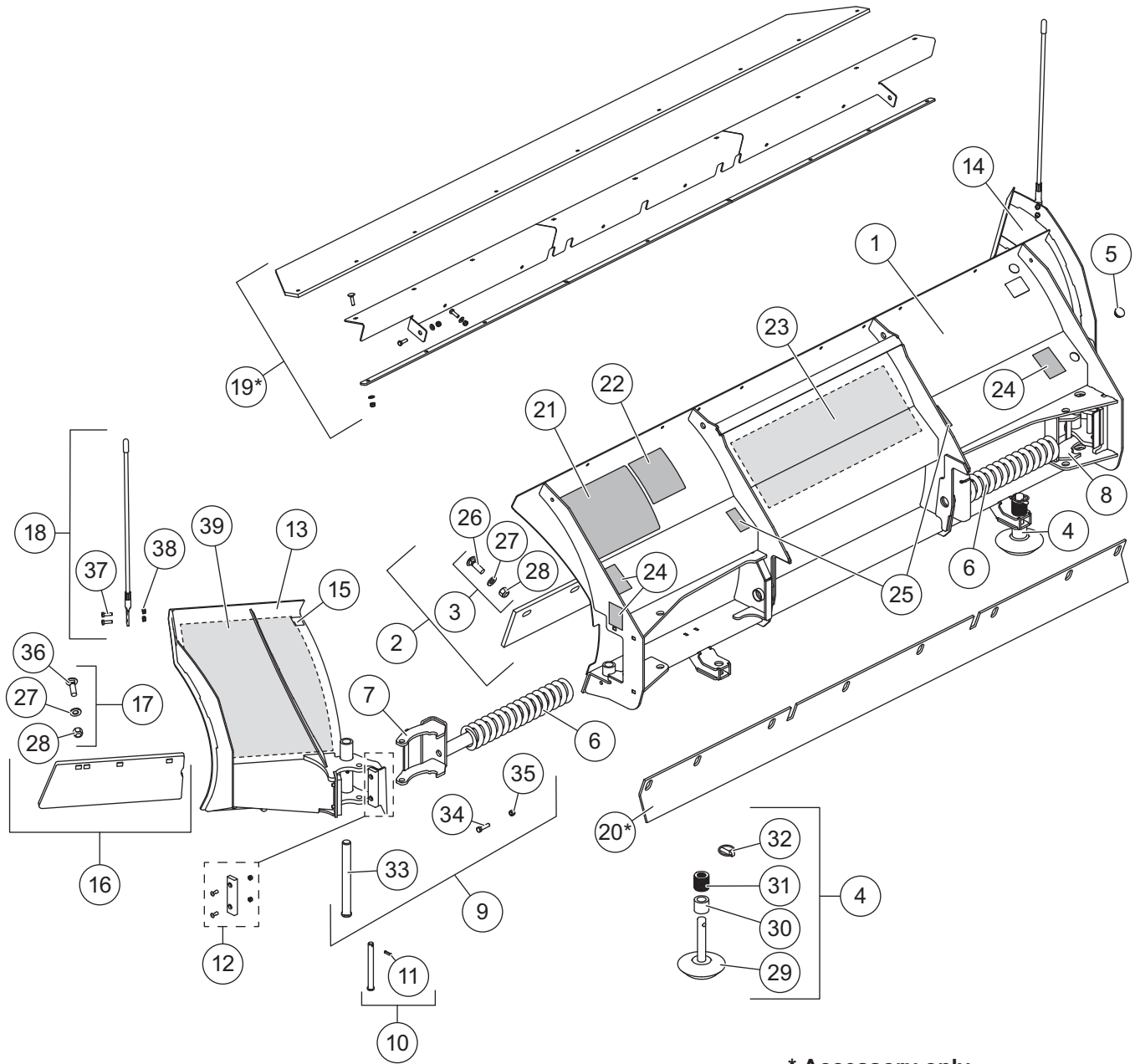
# TABLE OF CONTENTS

---

<b>SPEEDWING™ BLADE ASSEMBLY</b> .....	4
<b>A-FRAME ASSEMBLY</b> .....	8
<b>HEADGEAR ASSEMBLY</b> .....	10
<b>HYDRAULIC AND ELECTRICAL COMPONENTS</b> .....	12
Hydraulic Unit.....	12
Lift and Angle Rams .....	14
Hoses and Fittings.....	14
Electrical Components.....	15
<b>VEHICLE-SIDE HARNESS DIAGRAM</b> .....	16
<b>HEADLAMPS</b> .....	17

# SPEEDWING™ BLADE ASSEMBLY

## Blade Components

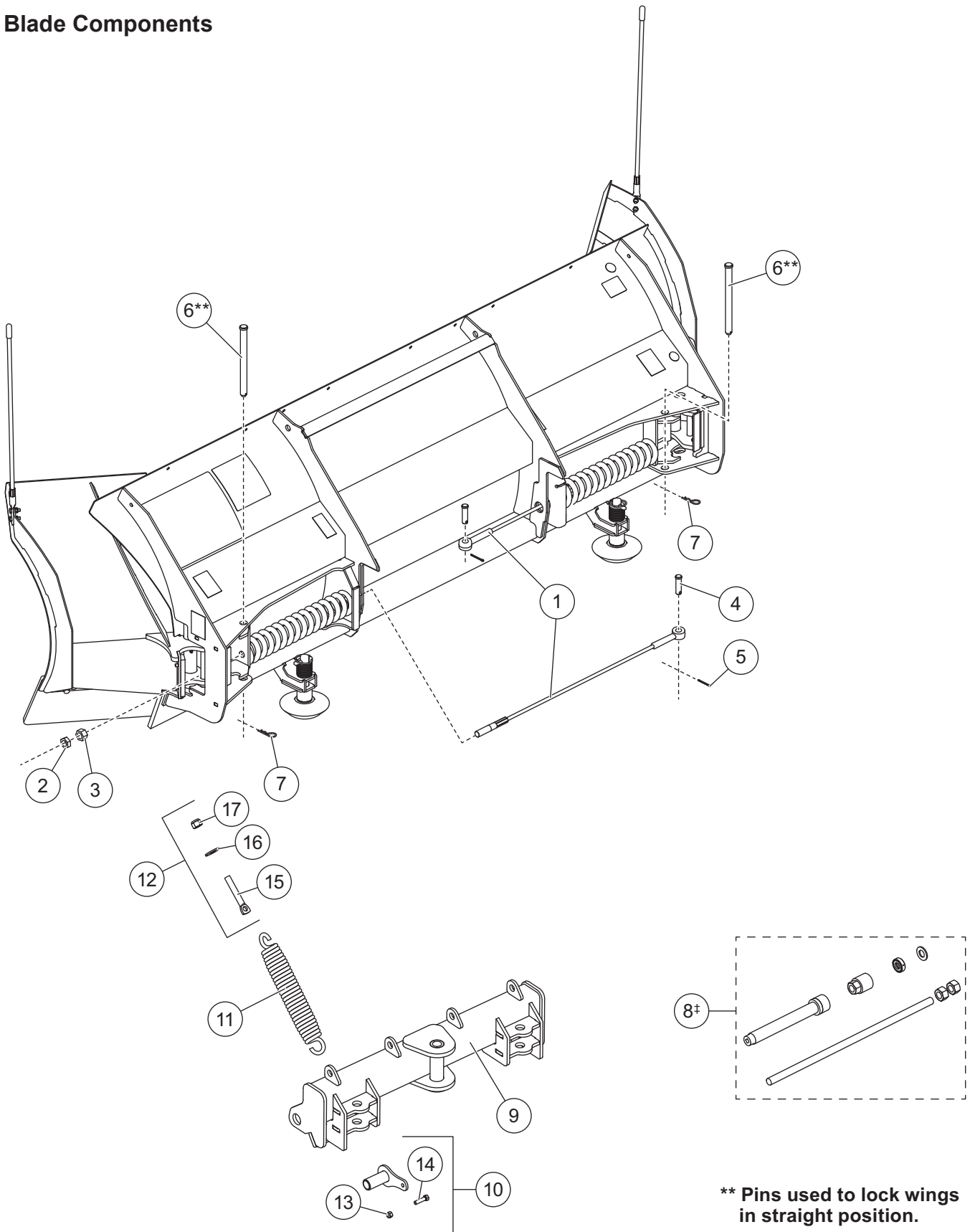


\* Accessory only.



# SPEEDWING™ BLADE ASSEMBLY

## Blade Components



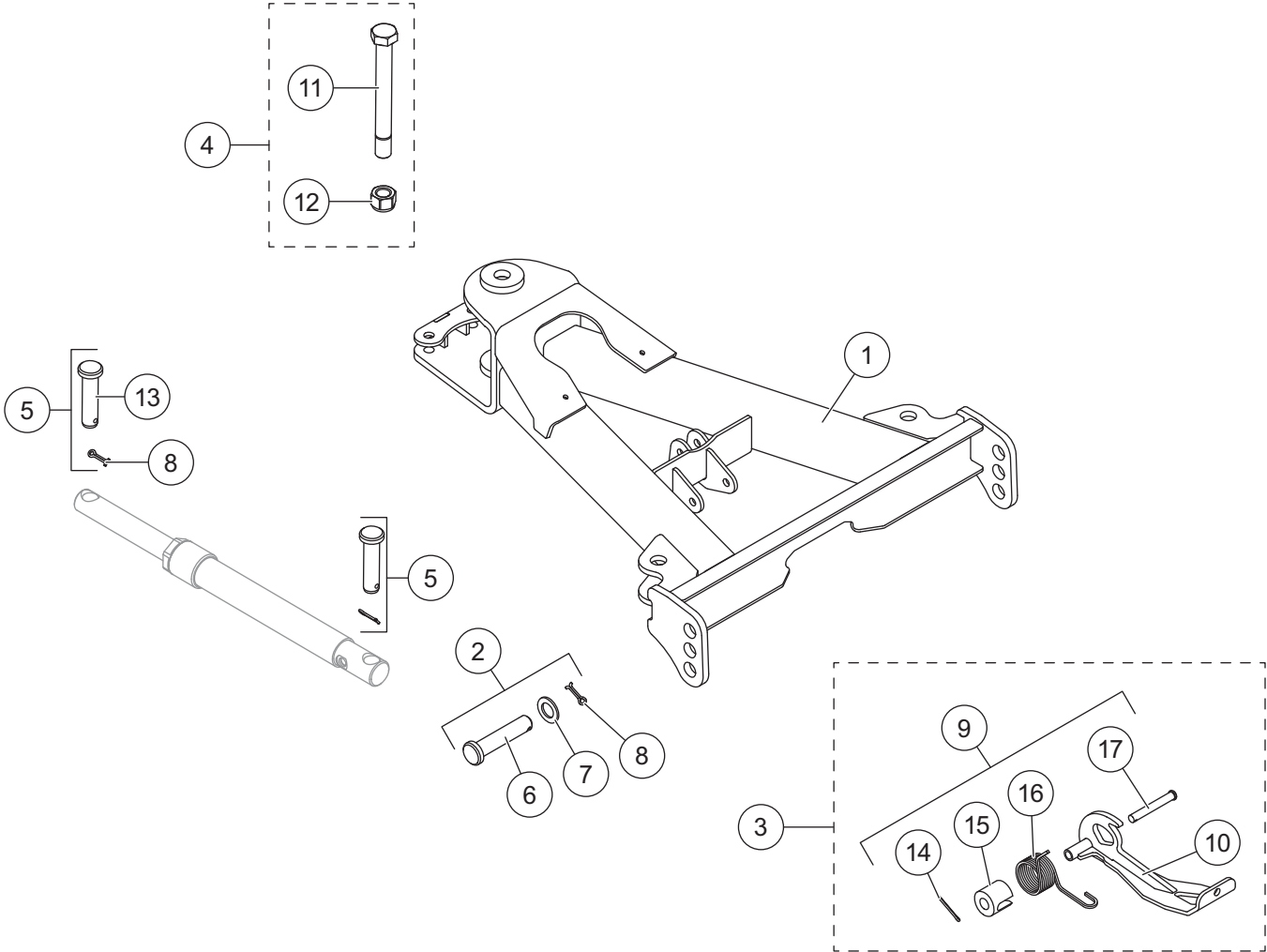
# SPEEDWING™ BLADE ASSEMBLY

Blade Components – SPEEDWING							
Item	Part	Qty	Description	Item	Part	Qty	Description
1	42389	2	Cable Assembly w/Hardware (incl. items 2–5)	7	91962	2	1/8 Hairpin Cotter
2	B61615	2	3/4-10 Hex Jam Nut	8†	69780	–	Wing Spring Removal Tool
3	B61343	2	3/4-10 Hex Nut	9	84577	1	Quadrant – SW
4	B61563	2	0.625 x 2.33 Clevis Pin	10	42388	2	Pivot Bushing Kit
5	90601	2	1/4 x 1-1/2 Cotter Pin	11	23039	4	Trip Spring
6	42738	2	3/4 x 9 Clevis Pin	12	83990	4	Trip Spring Eyebolt Kit
<b>Item 10</b>				<b>42388 Pivot Bushing Kit</b>			
		1	Blade Pivot Pin	14		1	3/8-16 x 1-1/2 Hex Cap Screw G5
13		1	3/8-16 Hex Locknut GB				
<b>Item 12</b>				<b>83990 Trip Spring Eyebolt Kit</b>			
15		4	5/8-11 x 4 Eyebolt G2	17		4	5/8-11 Hex Locknut GB
16		4	5/8 Hardened Flat Washer				
G = Grade							

† Service tool.

# A-FRAME ASSEMBLY

## A-Frame Components



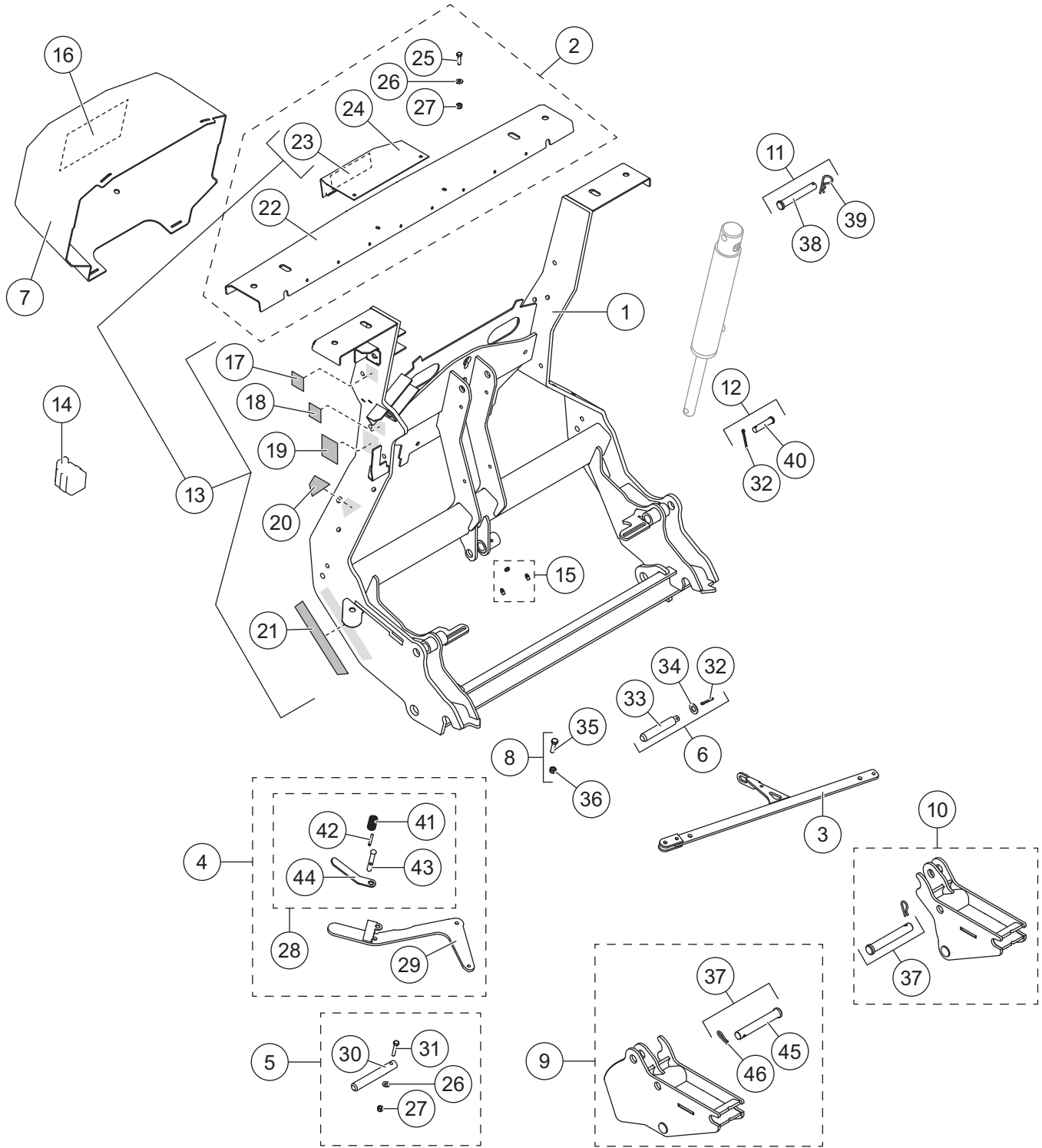


## A-FRAME ASSEMBLY

A-Frame Components							
Item	Part	Qty	Description	Item	Part	Qty	Description
1	84590	1	A-Frame – SW	4	49768	1	Pivot Bolt Kit
2	84623	2	A-Frame Pin Kit	5	57968	4	1 x 4 Clevis Pin Kit
3	84593	1	Stand Kit				
<b>Item 2</b>				<b>84623 A-Frame Pin Kit</b>			
6		1	1 x 4-3/4 Clevis Pin	8		1	1/4 x 1-1/2 Cotter Pin
7		1	1" Flat Washer Special				
<b>Item 3</b>				<b>84593 Stand Kit</b>			
9	84615	1	Stand Hardware Kit	10		1	Stand
<b>Item 4</b>				<b>49768 Pivot Bolt Kit</b>			
11		1	1-8 x 9 Hex Cap Screw Special G5	12		1	1-8 Hex Locknut GB
<b>Item 5</b>				<b>57968 1 x 4 Clevis Pin Kit</b>			
8		1	1/4 x 1-1/2 Cotter Pin	13		1	1 x 4 Clevis Pin
<b>Item 9</b>				<b>84615 Stand Hardware Kit</b>			
14		1	5/32 x 1-1/2 Cotter Pin	16		1	Stand Torsion Spring
15		1	Stand Spring Spacer	17		1	1/2 x 3-11/16 Clevis Pin
G = Grade							

# HEADGEAR ASSEMBLY

## Headgear Components



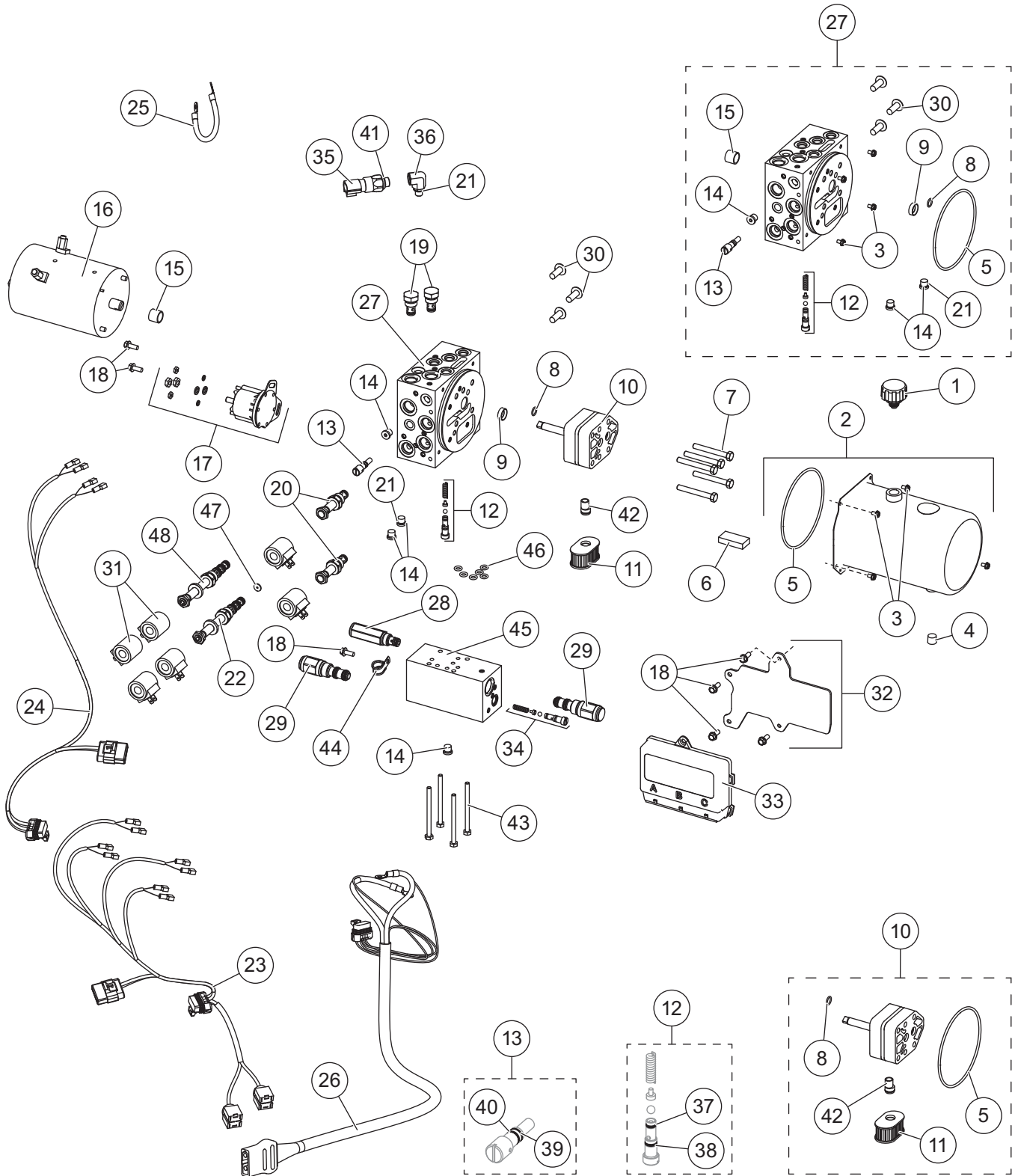
# HEADGEAR ASSEMBLY

Headgear Components							
Item	Part	Qty	Description	Item	Part	Qty	Description
1	84622	1	Headgear (incl. item 15)	11	84632	1	Lift Ram Base Pin Kit
2	84624	1	Light Bar Channel	12	84627	1	Lift Ram Rod Pin Kit
3	84599	1	Link Arm	13	84647	1	Headgear Label Kit
4	84595	1	Attach Handle Kit	14	61246	1	Cable Boot
5	84603	2	Attach Pin Kit	15	84616	1	Grease Zerk (pkg of 3)
6	84601	1	Link Arm Jack Stand Pin Kit	16	43861	1	Label – Hydraulic Info, SPEEDWING™
7	84650	1	Hydraulic Cover – SW (incl. item 16)	17	52206	1	Label – Power Switch, Automatixx®
8	84635	1	Link Arm/Attach Handle Fastener Kit	18	52207	1	Label – Operation Switch, Automatixx
9	84608	1	Receiver Kit – DS (incl. item 44)	19	69689	1	Label – Logo, SECURITY GUARD™
ns	85121*	1	Receiver Kit, Tall – DS	20	77717	1	Label – Logo, Automatixx (Upper)
10	84609	1	Receiver Kit – PS (incl. item 44)	21	77719	1	Label – Logo, Automatixx (Lower)
ns	85122*	1	Receiver Kit, Tall – PS				
<b>Item 2</b>				<b>84624 Light Bar Channel</b>			
22		1	Light Bar	25		2	1/4-20 x 1 Hex Cap Screw G5
23	77727	1	Label – Logo, SnowEx® Light Bar Ctr	26		2	1/4 Flat Washer
24		1	Light Bar Top Plate, Center	27		2	1/4-20 Hex Locknut GB
<b>Item 4</b>				<b>84595 Attach Handle Kit</b>			
28	84596	1	Attach Handle Release Cam Kit	29	84779	1	Handle
<b>Item 5</b>				<b>84603 Attach Pin Kit</b>			
26		1	1/4 Flat Washer	30		1	Hitch Pin
27		1	1/4-20 Hex Locknut GB	31		1	1/4-20 x 1-1/2 Hex Cap Screw SS
<b>Item 6</b>				<b>84601 Link Arm Jack Stand Pin Kit</b>			
32		1	5/32 x 1-1/2 Cotter Pin	34		1	1/2 Flat Washer Type B Narrow SS
33		1	Stand Actuator Pin				
<b>Item 8</b>				<b>84635 Link Arm/Attach Handle Fastener Kit</b>			
35		1	5/16-18 x 1-1/4 Hex Cap Screw G5	36		1	5/16-18 Hex Locknut GB
<b>Item 9</b>				<b>84608 Receiver Kit – DS</b>			
		1	Receiver – DS	37	84611	1	Receiver Pin Kit
<b>Item 10</b>				<b>84609 Receiver Kit – PS</b>			
		1	Receiver – PS	37	84611	1	Receiver Pin Kit
<b>Item 11</b>				<b>84632 Lift Ram Base Pin Kit</b>			
38		1	5/8 x 4-1/4 Clevis Pin	39		1	1/8 Hairpin Cotter
<b>Item 12</b>				<b>84627 Lift Ram Rod Pin Kit</b>			
32		1	5/32 x 1-1/2 Cotter Pin	40		1	1/2 x 2-1/8 Clevis Pin HT
<b>Item 13</b>				<b>84647 Headgear Label Kit</b>			
17	52206	1	Label – Power Switch, Automatixx	20	77717	1	Label – Logo, Automatixx (upper)
18	52207	1	Label – Operation Switch, Automatixx	21	77719	1	Label – Logo, Automatixx (lower)
19	69689	1	Label – Logo, SECURITY GUARD	23	77727	1	Label – Logo, SnowEx Light Bar Ctr
<b>Item 28</b>				<b>84596 Attach Handle Release Cam Kit</b>			
41		1	Stand Lock Pin Spring	43		1	Handle Lock Pin
42		1	3/16 x 1-3/8 Roll Pin SS	44		1	Handle Lock Pin Lever
<b>Item 37</b>				<b>84611 Receiver Pin Kit</b>			
45	95739	1	3/4 x 5 Clevis Pin HT	46	42142	1	R-Pin Cotter
ns = not shown		SS = Stainless Steel		HT = Heat Treated		G = Grade	

\* Refer to the SPEEDWING snowplow Installation Instructions to confirm when tall receivers are required.

# HYDRAULIC AND ELECTRICAL COMPONENTS

## Hydraulic Unit Components



# HYDRAULIC AND ELECTRICAL COMPONENTS

<b>52648 Hydraulic Unit</b>							
<b>Item</b>	<b>Part</b>	<b>Qty</b>	<b>Description</b>	<b>Item</b>	<b>Part</b>	<b>Qty</b>	<b>Description</b>
1	48278	1	Breather	25	29071	1	Vehicle Battery Cable 8"
2	52289	1	Reservoir Kit	26	52291	1	Snowplow Battery Cable
3	66607	4	#10-24 x 5/16 Machine Screw	27	52258	1	Manifold Assembly w/o Valves SW
4	92079	1	Plug, Square 3/8 NPTF	28	42889	1	Relief Valve 4000 psi
5	66519	1	O-Ring 2-250	29	42888	2	Counterbalance Valve 1400 psi
6	73897	1	Magnet	30	98043	3	3/8-16 x 1 Button Cap Screw
7	90073	5	5/16-18 x 2-1/4 Hex Cap Screw G5	31	52294	6	Coil
8	56274	1	O-Ring -013	32	52293	1	Plate, Module
9*	66515	1	Pump Shaft Seal	33	52292-1	1	Module, Plow Control
ns	52252	1	Seal Repair Tool Kit w/Seal	34	52284	1	Relief Valve (1 set)
10	52288	1	Hydraulic Pump Kit	35	52296	1	Pressure Switch
11	48281	1	Filter	36	52295	1	Elbow, 90° -4 M ORB/-6 F ORB
12	52282	1	Relief Valve (1 set)	37	55371	2	O-Ring -008
13	48517	1	Quill	38	25731	2	O-Ring -010
14	44344	4	Plug, Hex Socket -4 M ORB	39	48239	1	O-Ring -106
15†	56364	1	Bearing Sleeve	40	48240	1	Back-Up Ring -106
ns	52251	1	Bearing Repair Tool Kit w/Bearing	41	56569	1	O-Ring -906
16	52281	1	Motor	42	10887	1	Inlet Fitting
17	52290	1	Motor Relay Kit, FLEET FLEX System	43	90696	4	1/4-20 x 3-1/2 Hex Cap Screw G5
18	44355	7	1/4-20 x 5/8 Hex Washer-Head Thread-Rolling Screw	44	65340	1	Clamp Loop #10
19	84934	2	Check Valve	45	52262	1	Secondary Manifold Assembly w/o Valves (incl. items 16, 36, 48)
20	84936	2	Valve, 2-Way NC w/Rev Flow	46	43818	6	O-Ring -109
21	44343	5	O-Ring -904	47	52541	1	Orifice Disc 0.060
22	52285	1	Valve, 4-Way, 3-Position Closed Center	48	84937	1	Valve, 4-Way, 3-Position
23	52108	1	Plow Control Harness, 4-Coil	ns		3	Fuse, 5A Mini Automotive-Style (for items 25 and 26)
24	52077	1	Plow Control Harness, 2-Coil				
<b>Item 2</b>				<b>52289 Reservoir Kit</b>			
3	66607	4	#10-24 x 5/16 Machine Screw	5	66519	1	O-Ring 2-250
4	92079	1	Plug, Square 3/8 NPTF				
<b>Item 12</b>				<b>52282 Relief Valve</b>			
37	55371	1	O-Ring -008	38	25731	1	O-Ring -010
<b>Item 13</b>				<b>48517 Quill</b>			
39	48239	1	O-Ring -106	40	48240	1	Back-Up Ring -106
<b>Item 27</b>				<b>52258 Manifold Assembly w/o Valves SW</b>			
3	66607	4	#10-24 x 5/16 Machine Screw	14	44344	3	Plug, Hex Socket -4 M ORB
5	66519	1	O-Ring 2-250	15	56364	1	Bearing Sleeve
8	56274	1	O-Ring -013	21	44343	3	O-Ring -904
9	66515	1	Pump Shaft Seal	29	98043	3	3/8-16 x 1 Button Cap Screw
12	52282	1	Relief Valve (1 set)	46	43818	6	O-Ring -109
13	48517	1	Quill				
<b>O-Ring Service Kits</b>							
-	52298	-	O-Ring Kit	-	48310	-	Seal Kit, 2-Way Valves
-	48309	-	Seal Kit, 3-Way & 4-Way Valves	-	52303	-	Seal Kit, 3-Way Valves (for item 31)
ns = not shown		F = Female		M = Male		G = Grade	

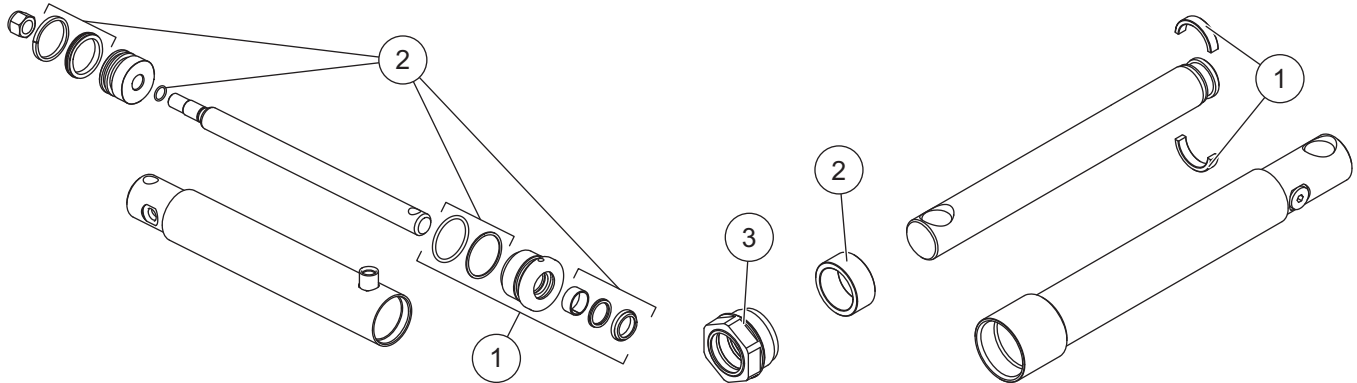
\* Use 52252 tool to install.

† Use 52251 tool to install.

Go to [www.snowexproducts.com](http://www.snowexproducts.com) for hydraulic unit service information and specifications.

# HYDRAULIC AND ELECTRICAL COMPONENTS

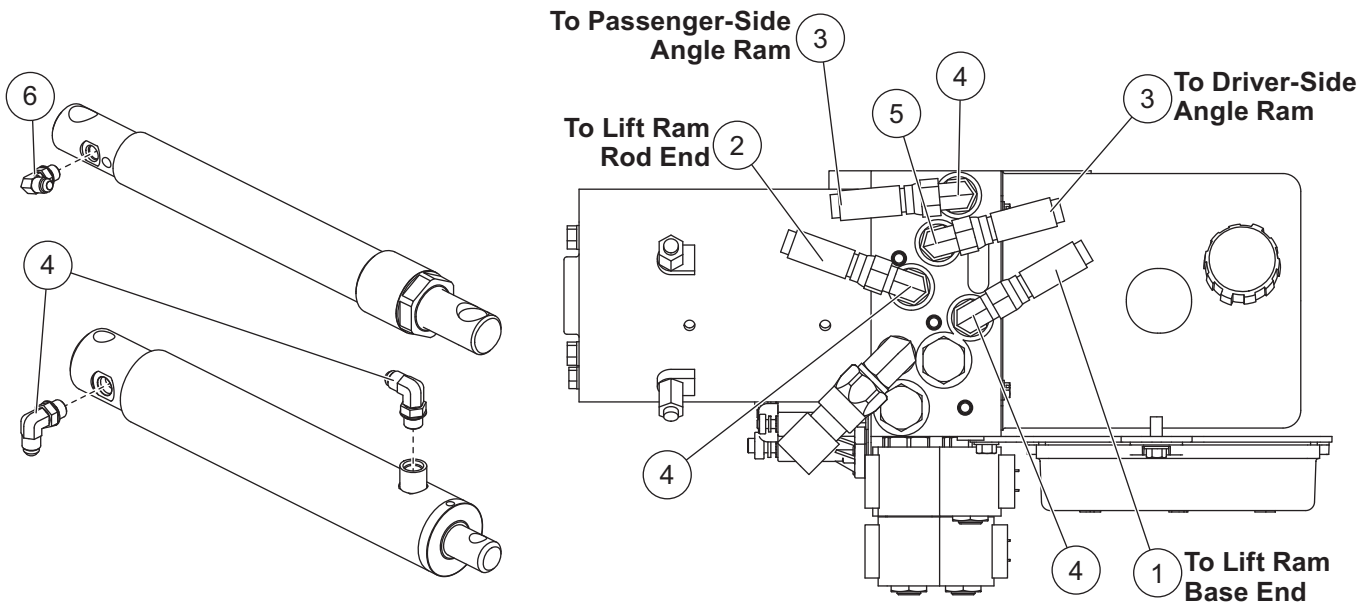
## Lift and Angle Ram Components



84420 Lift Ram Assembly 2 x 9-3/4 DA			
Item	Part	Qty	Description
1	49499	1	1" Gland Assembly
2	48520	1	Seal Kit 2" DA Ram

84421 Angle Ram Assembly 1-1/2 x 12			
Item	Part	Qty	Description
1	57879	1	Split Bearing Kit
2	56537	1	Spacer
3	48985	1	Gland Nut Assembly

## Hoses and Fittings

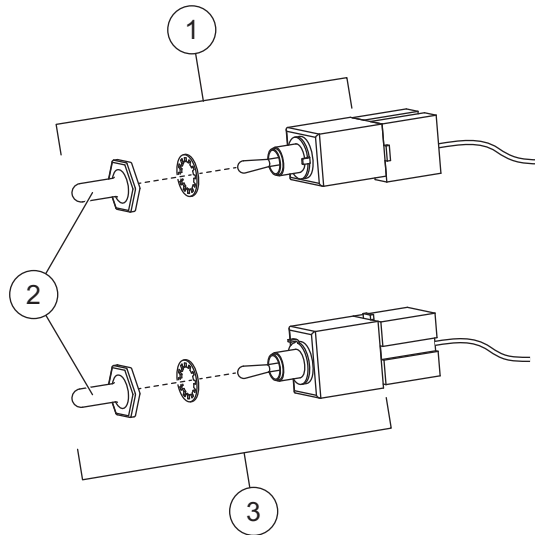


Hoses and Fittings							
Item	Part	Qty	Description	Item	Part	Qty	Description
1	84446	1	Hose, 1/4 x 14 w/F JIC Ends	5	40572	1	Elbow, Extra Long 90° -6 M JIC/-6 M ORB
2	40570	1	Hose, 1/4 x 22 w/F JIC Ends	6	77929	1	Elbow, 90° -6 M JIC/-6 M ORB w/Screen
3	52304	2	Hose, 3/8 x 36 w/F JIC Ends				
4	40571	7	Elbow, 90° -6 M JIC/-6 M ORB				
ns	56823	1	Hose Wrap				

F = Female                      ns = not shown                      M = Male

# HYDRAULIC AND ELECTRICAL COMPONENTS

## Electrical Components

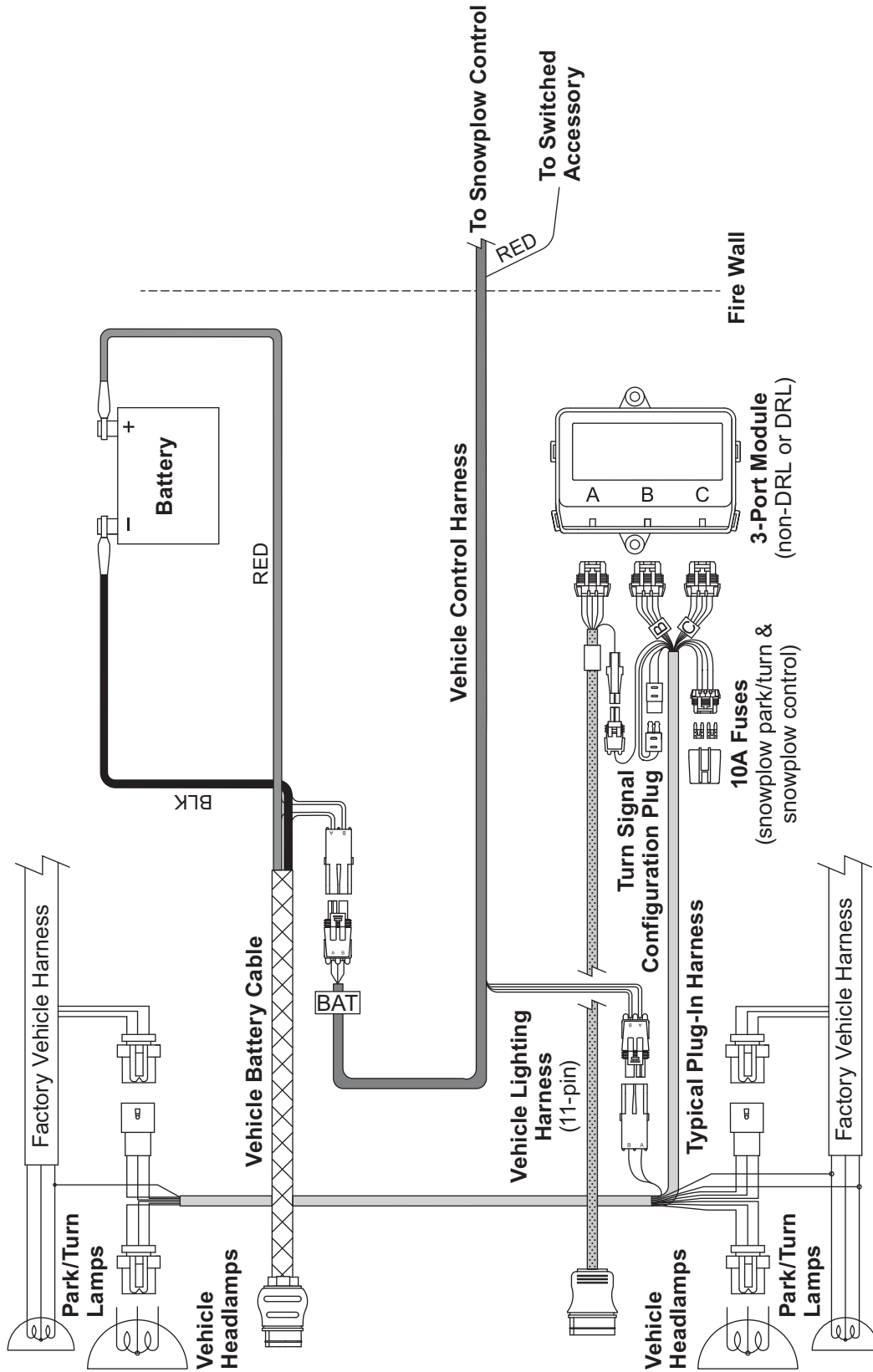


Plow-Side Electrical Components							
Item	Part	Qty	Description	Item	Part	Qty	Description
1	40575	1	Toggle Switch (MOM-ON, OFF, ON)	3	40576	1	Toggle Switch (MOM-ON, OFF, MOM-ON)
2	48259	2	Switch Boot				
Vehicle-Side Electrical Components							
*	42014	1	Vehicle Battery Cable	ns	48325	2	Plug Cover
*	28587	1	Vehicle Control Harness				
ns = not shown							

\* For diagram see Vehicle-Side Harness Diagram.

# VEHICLE-SIDE HARNESS DIAGRAM

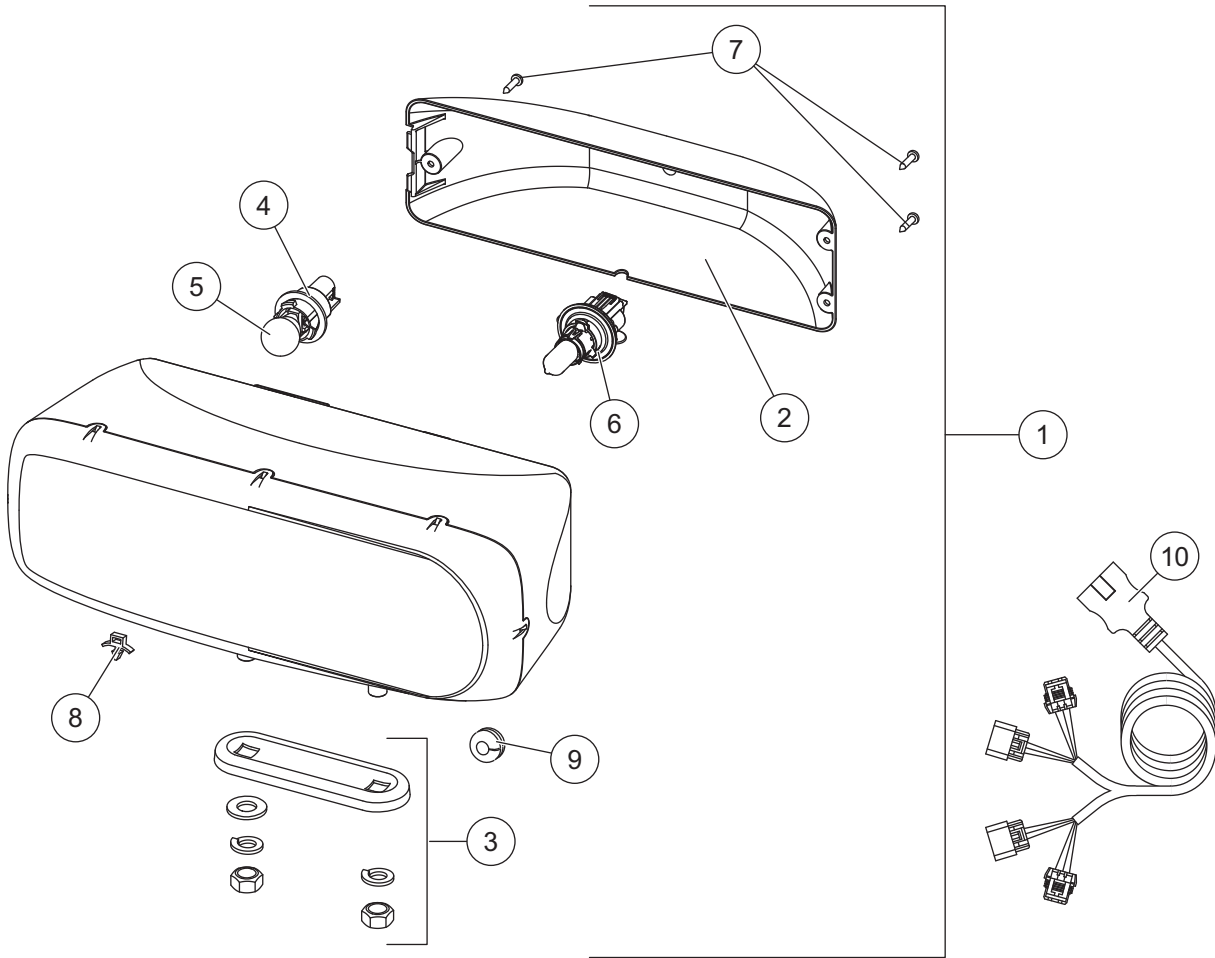
## Vehicle-Side Harness Diagram





# HEADLAMPS

## Headlamp Components



28800-1 Headlamp Kit (pair)							
Item	Part	Qty	Description	Item	Part	Qty	Description
1	28802-1	1	Headlamp Service Kit – PS	6	28806	2	Headlamp Bulb Service Kit H13
ns	28801-1	1	Headlamp Service Kit – DS	7	28808-1	2	Cover Screws Service Kit (3 screws)
2	28803-1	2	Rear Cover Kit (fits 2- or 3-screw)	8	56595	6	Cable Anchor Tie
3	28804	2	Mounting Hardware Kit	9	66130	2	Rubber Grommet
4	28805	2	Park/Turn Socket Service Kit	10	28213K	1	Harness Service Kit
5		2	Park/Turn Bulb (trade no. 4157NAK)				

ns = not shown



TrynEx International, LLC  
531 Ajax Drive  
Madison Heights, MI 48071-2429  
[www.snowexproducts.com](http://www.snowexproducts.com)

 A DIVISION OF DOUGLAS DYNAMICS, LLC

Copyright © 2021 Douglas Dynamics, LLC. All rights reserved. This material may not be reproduced or copied, in whole or in part, in any printed, mechanical, electronic, film, or other distribution and storage media, without the written consent of TrynEx International, LLC. Authorization to photocopy items for internal or personal use by TrynEx International outlets or snowplow owner is granted.

TrynEx International reserves the right under its product improvement policy to change construction or design details and furnish equipment when so altered without reference to illustrations or specifications used. TrynEx International or the vehicle manufacturer may require or recommend optional equipment for snow removal. Do not exceed vehicle ratings with a snowplow. TrynEx International offers a limited warranty for all snowplows and accessories. See separately printed page for this important information. The following are registered (®) or unregistered (™) trademarks of Douglas Dynamics, LLC: Automatix®, SECURITY GUARD™, SnowEx®, SPEEDWING™.

**Printed in U.S.A.**