



HD UTV V-Plow

Blade Assembly 74360
Attachment Assembly 77865

Parts List and Accessories

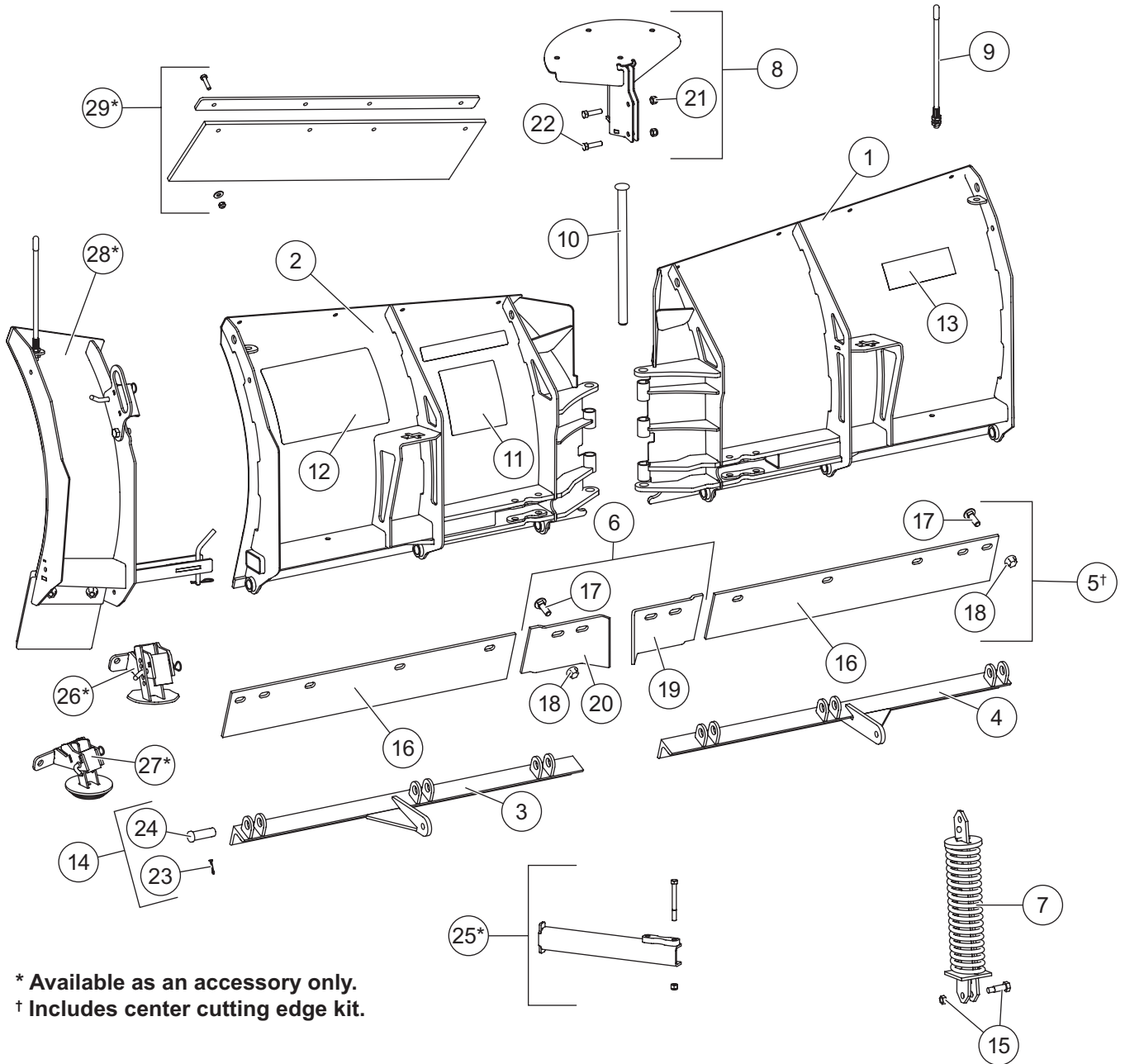


TABLE OF CONTENTS

IMPACT™ BLADE ASSEMBLY	4
HEADGEAR AND T-FRAME ASSEMBLY	6
HYDRAULIC COMPONENTS	6
Hydraulic Unit.....	8
Lift and Angle Rams	10
Hoses and Fittings.....	11
VEHICLE-SIDE HARNESS DIAGRAM	12

IMPACT™ UTV V-PLOW BLADE 74360

Blade Components and Accessories



IMPACT™ UTV V-PLOW BLADE 74360

IMPACT Blade Components							
Item	Part	Qty	Description	Item	Part	Qty	Description
1	83611	1	Blade – PS (incl. base angle, trip spring, and labels)	9	92075	1	Blade Guides
2	83610	1	Blade – DS (incl. base angle, trip spring, and labels)	10	51702	1	3/4 x 12-5/8 Pin
3	83612	1	Base Angle – DS	11	84847	1	Label – Warning/Caution, Snowplow
4	83613	1	Base Angle – PS	12	88335	1	Label – Attach/Detach, UTV
5†	84827	1	Cutting Edge Kit w/Fasteners	13	28404	1	Label – Logo, ULTRAFINISH™
6	83639	1	Center Cutting Edge Kit w/Hardware	14	84844	6	3/4 x 2-3/16 Pin Kit
7	21452	2	Removable Spring Assembly	15	83624	2	Shoulder Bolt w/Locknut Kit
8	87288	1	Snow Control Kit	ns	69489	1	Label – Logo, WESTERN®
				ns	84771	1	Label – Logo, IMPACT
				ns	85191	1	Blade Label Kit
Item 5†				84827 Cutting Edge Kit w/Fasteners			
6	83639	1	Center Cutting Edge Kit w/Hardware	17		10	1/2-13 x 1-1/2 Carriage Bolt G8
16	84828	2	1/4 Cutting Edge	18		10	1/2-13 Flanged Locknut
Item 6				83639 Center Cutting Edge Kit w/Hardware			
17		4	1/2-13 x 1-1/2 Carriage Bolt G8	19	84323	1	Center Cutting Edge, UTV – PS
18		4	1/2-13 Flanged Locknut	20	84325	1	Center Cutting Edge, UTV – DS
Item 8				87288 Snow Control Kit			
		1	Snow Control	22		2	3/8-16 x 1-1/2 Hex Cap Screw
21		2	3/8-16 Hex Locknut GB				
Item 14				84844 3/4 x 2-3/16 Pin Kit			
23		1	5/32 x 1-1/4 Cotter Pin	24		1	3/4 x 2-3/16 Pin
Item 15				83624 Shoulder Bolt w/Locknut Kit			
		1	7/16-14 x 1-5/8 Hex Shoulder Bolt			1	7/16-14 Hex Locknut GB
				85191 Blade Label Kit			
11	84847	1	Label – Warning/Caution, Snowplow	ns	69489	1	Label – Logo, WESTERN
12	88335	1	Label – Attach/Detach, UTV	ns	84771	1	Label – Logo, IMPACT
13	28404	1	Label – Logo, ULTRAFINISH				
ns = not shown				G = Grade			

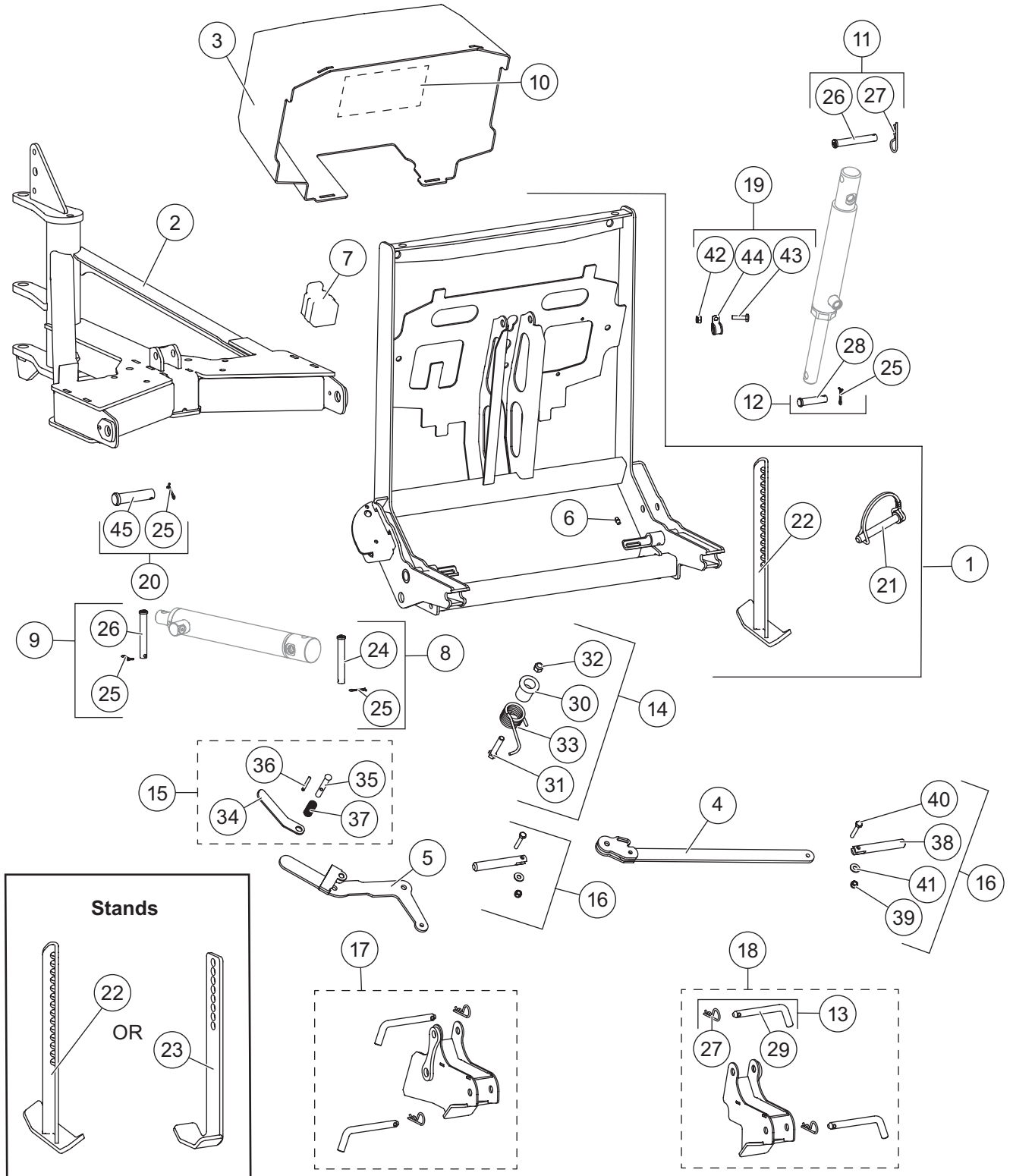
† Includes center cutting edge kit.

IMPACT Blade Accessories							
Item	Part	Qty	Description	Item	Part	Qty	Description
25*	83616	1	Blade Stop Kit (pair)	28*	52657	1	Accessory Wing Kit (pair)
26*	52656	1	Accessory Shoe Kit (pair)	29*	52655	1	Deflector Kit (pair)
27*	83852	1	Extreme Wear Shoe Kit (pair)				

* Accessory only.

IMPACT™ UTV V-PLOW HEADGEAR AND T-FRAME ASSEMBLY

Headgear and T-Frame Components

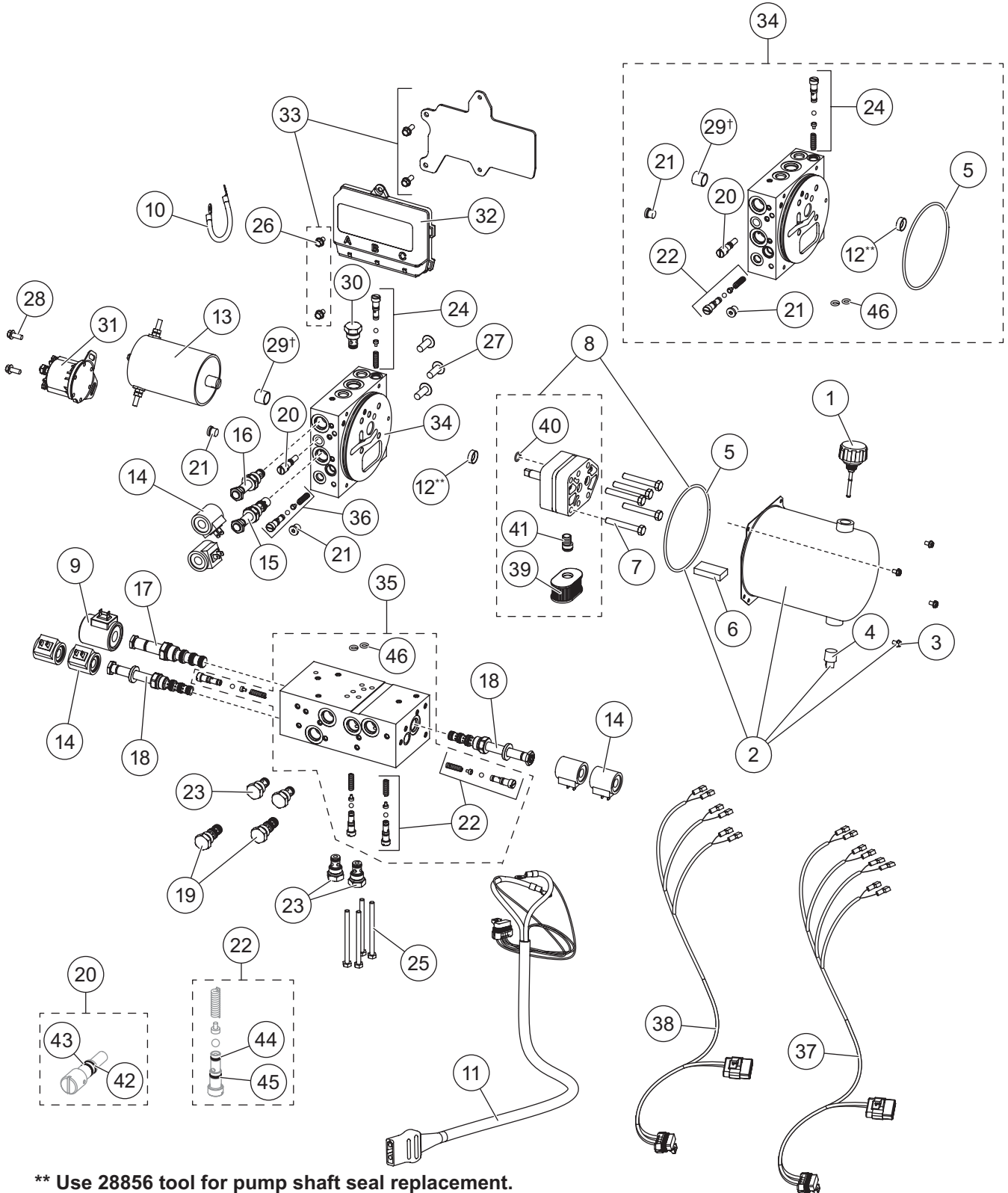


IMPACT™ UTV V-PLOW HEADGEAR AND T-FRAME ASSEMBLY

IMPACT™ Headgear and T-Frame Components							
Item	Part	Qty	Description	Item	Part	Qty	Description
1	88761	1	Headgear	13	84610	4	Receiver Pin Kit
2	83628	1	T-Frame	14	83636	1	Torsion Spring/Spacer Kit
3	84843	1	Hydraulic Cover (incl. item 10)	15	83633	1	Attach Handle Release Cam Kit
4	83635	1	Link	16	84602	2	Hitch Pin Kit
5	83634	1	Handle	17	83637	1	Receiver Kit, DS
6	84616	1	Grease Zerk (pkg of 3)	18	83638	1	Receiver Kit, PS
7	61246	1	Cable Boot	29	84778	1	Power Cable Clamp Loop Kit
8	83629	2	Angle Ram Base Pin Kit	20	83630	2	T-Frame Pin Kit
9	85198	2	Angle Ram Rod Pin Kit	21	77650	1	Wire-Lock Clevis Pin
10	43862	1	Label – Information, Hydraulic	22	87046	1	Stand, V-Stem
11	85199	1	Lift Ram Base Pin Kit	23	84846	1	Stand, Flat Stem
12	84627	1	Lift Ram Rod Pin Kit				
Item 1				88761 Headgear Kit			
		1	Headgear	22	87046	1	Stand, V-Stem
21	77650	1	Wire-Lock Clevis Pin				
Item 8				83629 Angle Ram Base Pin Kit			
24		1	1/2 x 3-11/16 Clevis Pin HT	25		1	5/32 x 1-1/2 Cotter Pin
Item 9				85198 Angle Ram Rod Pin Kit			
25		1	5/32 x 1-1/2 Cotter Pin	26		1	1/2 x 2-7/8 Clevis Pin HT
Item 11				85199 Lift Ram Base Pin Kit			
26		1	1/2 x 2-7/8 Clevis Pin HT	27		1	1/8 Hairpin Cotter
Item 12				84627 Lift Ram Rod Pin Kit			
25		1	5/32 x 1-1/2 Cotter Pin	28		1	1/2 x 2-1/8 Clevis Pin HT
Item 13				84610 Receiver Pin Kit			
27		1	1/8 Hairpin Cotter	29		1	1/2 x 4 Clevis Pin
Item 14				83636 Torsion Spring/Spacer Kit			
30		1	Spacer, Handle Spring	32		1	3/8-16 Hex Locknut GB
31		1	3/8-16 x 2-1/4 Hex Cap Screw G5	33		1	Torsion Spring
Item 15				83633 Attach Handle Release Cam Kit			
34		1	Handle Lock Pin Lever	36		1	3/16 x 1-3/8 Spring Pin SS
35		1	Lock Pin	37		1	Stand Lock Pin Spring
Item 16				84602 Hitch Pin Kit			
38		1	Hitch Pin	40		1	1/4-20 x 1-1/2 Hex Cap Screw SS
39		1	1/4-20 Hex Locknut GB	41		1	1/4 Flat Washer Type A Wide
Item 17				83637 Receiver Kit – DS			
		1	Receiver – DS	13		2	Receiver Pin Kit
Item 18				83638 Receiver Kit – PS			
		1	Receiver – PS	13		2	Receiver Pin Kit
Item 19				84778 Power Cable Clamp Loop Kit			
42		1	1/4-20 Hex Locknut GB	44		1	#10 Clamp Loop
43		1	1/4-20 x 1 Hex Cap Screw G5				
Item 20				83630 T-Frame Pin Kit			
25		1	5/32 x 1-1/2 Cotter Pin	45		1	3/4 x 3 Clevis Pin
			G = Grade				HT = Heat Treated
							SS = Stainless Steel

IMPACT™ UTV V-PLOW HYDRAULIC COMPONENTS

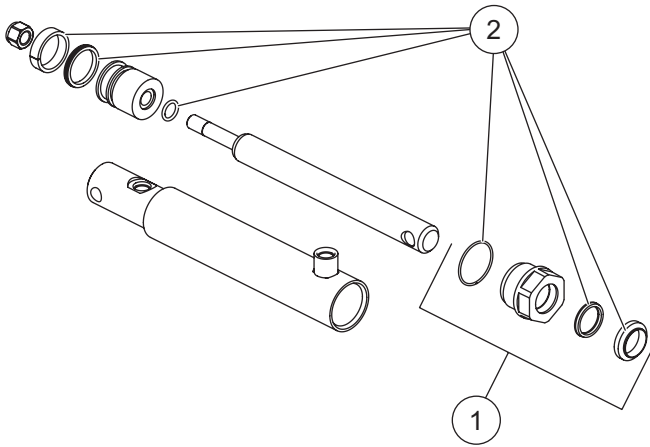
Hydraulic Unit Components



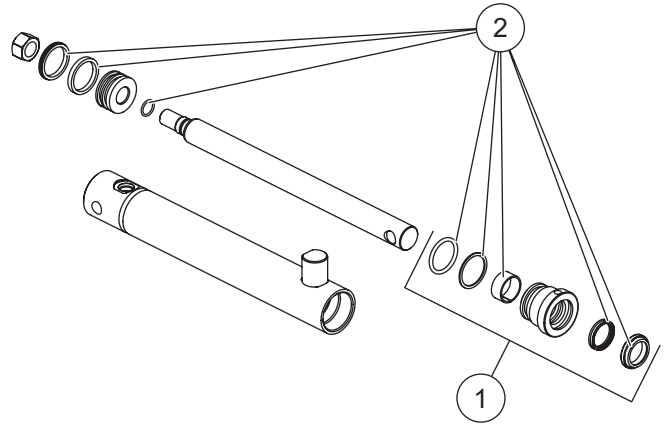
** Use 28856 tool for pump shaft seal replacement.
† Use 64589 tool for bearing sleeve replacement.

IMPACT™ UTV V-PLOW HYDRAULIC COMPONENTS

Lift and Angle Ram Components



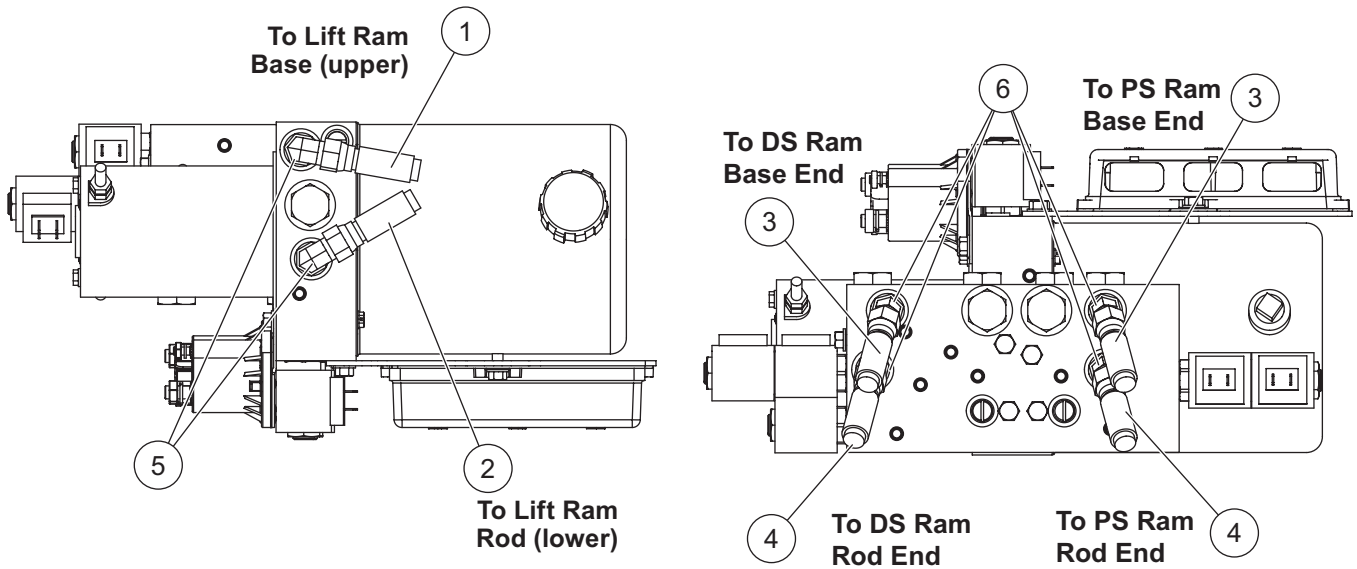
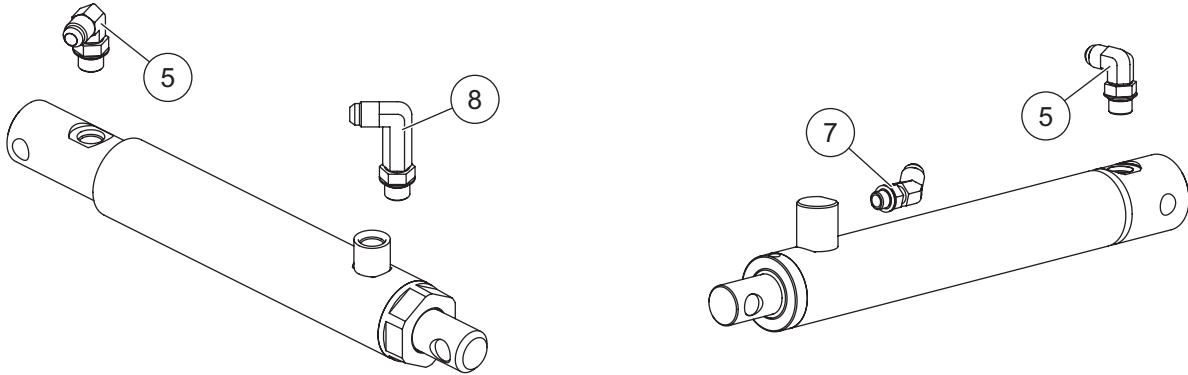
77484 Lift Ram Assembly 1-1/2 x 6			
Item	Part	Qty	Description
1	52277	1	1" Gland Nut Assembly
2	27788-1	1	Seal Kit 1-1/2 DA Ram



77481 Wing Ram Assembly 1-1/2 x 8-3/4 DA			
Item	Part	Qty	Description
1	52558	1	1" Gland Nut Assembly
2	52557	1	Seal Kit 1-1/2 DA Ram

IMPACT™ UTV V-PLOW HYDRAULIC COMPONENTS

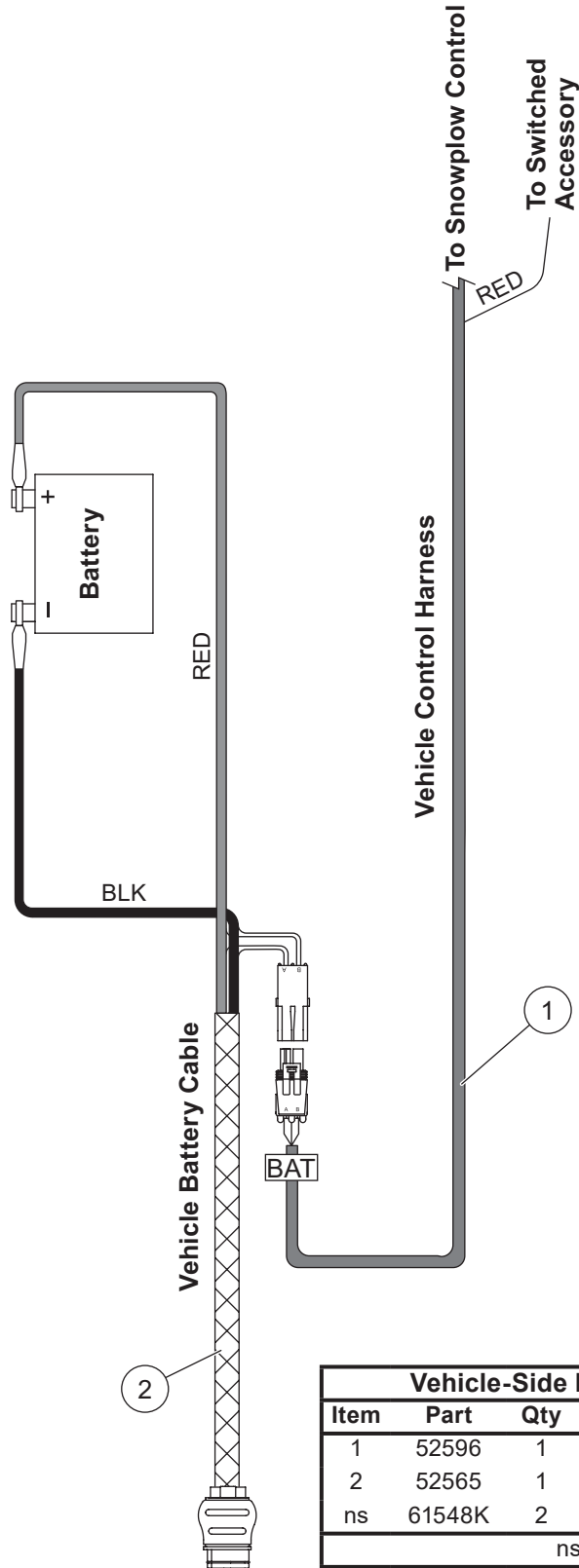
Hoses and Fittings



Hoses and Fittings							
Item	Part	Qty	Description	Item	Part	Qty	Description
1	84446	1	Hose, 1/4 x 14 w/F JIC Ends	6	26694	4	Elbow, 45° -6 M JIC/-6 M ORB
2	84453	1	Hose, 1/4 x 20 w/F JIC Ends	7	41093	2	Elbow, 45° -6 M JIC/-4 M ORB
3	48519	2	Hose, 1/4 x 32 w/F JIC Ends	8	64212-1	1	Elbow, Extra Long 90° -6 M JIC/-6 M ORB
4	64625	2	Hose, 1/4 x 36 w/F JIC Ends				
5	56615-1	5	Elbow, 90° -6 M JIC/-6 M ORB				
F = Female				M = Male			

IMPACT™ UTV V-PLOW VEHICLE-SIDE HARNESS DIAGRAM

Vehicle-Side Harness Diagram



Vehicle-Side Electrical Components			
Item	Part	Qty	Description
1	52596	1	Vehicle Control Harness
2	52565	1	Vehicle Battery Cable
ns	61548K	2	Plug Cover
ns = not shown			



Western Products
PO Box 245038
Milwaukee, WI 53224-9538
www.westernplows.com

 **A DIVISION OF DOUGLAS DYNAMICS, LLC**

Copyright © 2026 Douglas Dynamics, LLC. All rights reserved. This material may not be used, reproduced, or copied in any manner, in whole or in part, in any printed, mechanical, electronic, film, or other distribution and storage media, nor analyzed or manipulated in any manner for the purpose of training artificial intelligence technologies or systems, without the written consent of Western Products. In accordance with Article 4(3) of the Digital Single Market Directive 2019/790, Western Products expressly reserves this work from the text and data mining exception. Authorization to photocopy items for internal or personal use by Western Products outlets or equipment owner is granted.

Western Products reserves the right under its product improvement policy to change construction or design details and furnish equipment when so altered without reference to illustrations or specifications used. Western Products or the vehicle manufacturer may require or recommend optional equipment for snow removal. Do not exceed vehicle ratings with a snowplow. Western Products offers a limited warranty for all equipment and accessories. See separately printed page for this important information. The following are registered (®) or unregistered (™) trademarks of Douglas Dynamics, LLC: IMPACT™, ULTRAFINISH™, WESTERN®.

Printed in U.S.A.