



Fisher Engineering

50 Gordon Drive, Rockland, Maine 04841-2139 • www.fisherplows.com

77865, 87500

February 1, 2023
Lit. No. 52548, Rev. 12



TRAILBLAZER™

Blade and Off-Truck Kit

HD UTV V-Plow

Blade Assembly 87500

Attachment Assembly 77865

Parts List and Accessories

TRAILBLAZER™ BLADE..... 4

HEADGEAR AND T-FRAME 6

HYDRAULIC COMPONENTS..... 8

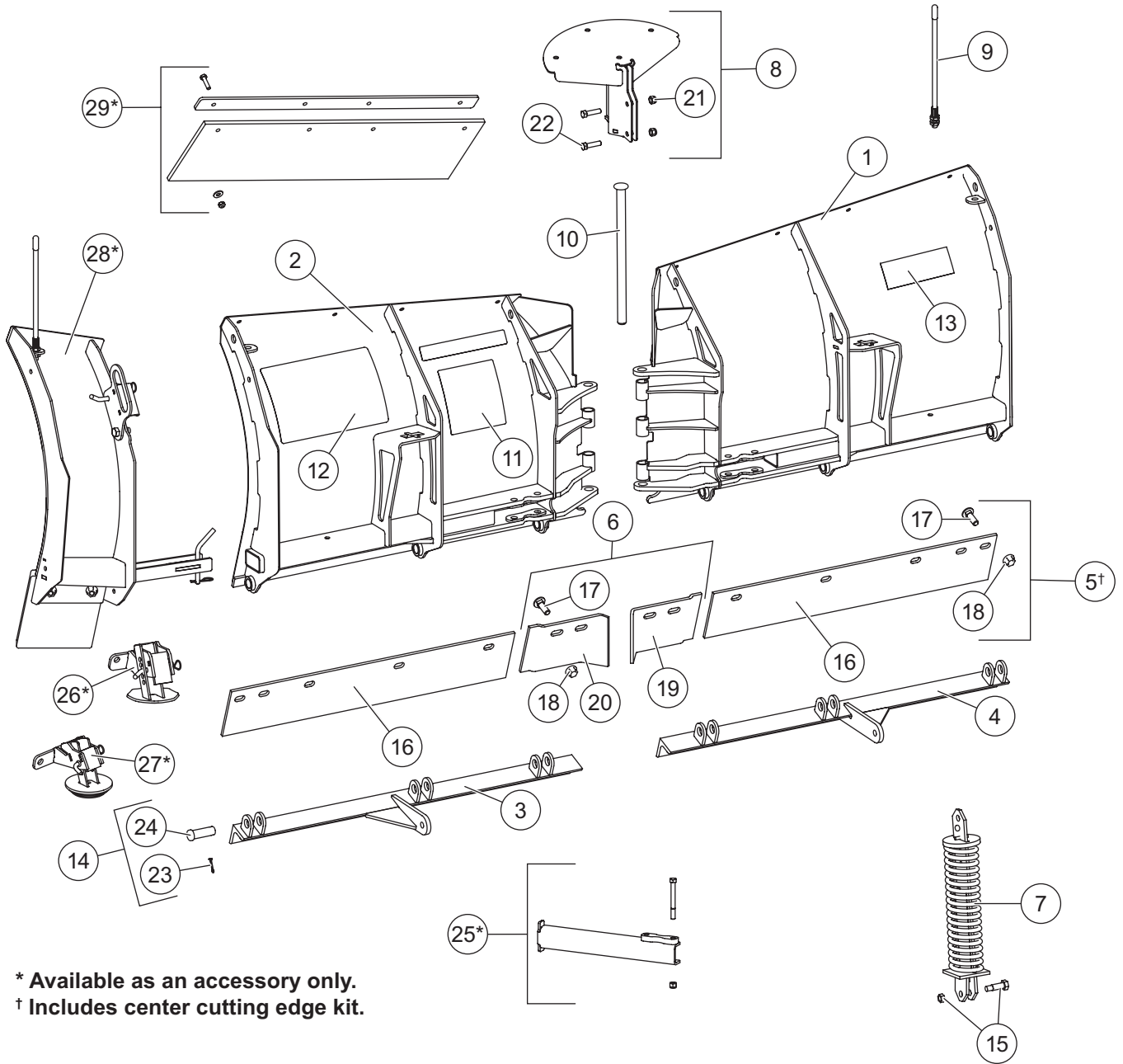
 Hydraulic Unit..... 8

 Lift and Angle Rams 10

 Hoses and Fittings 11

VEHICLE-SIDE HARNESS DIAGRAM..... 12

Blade Components



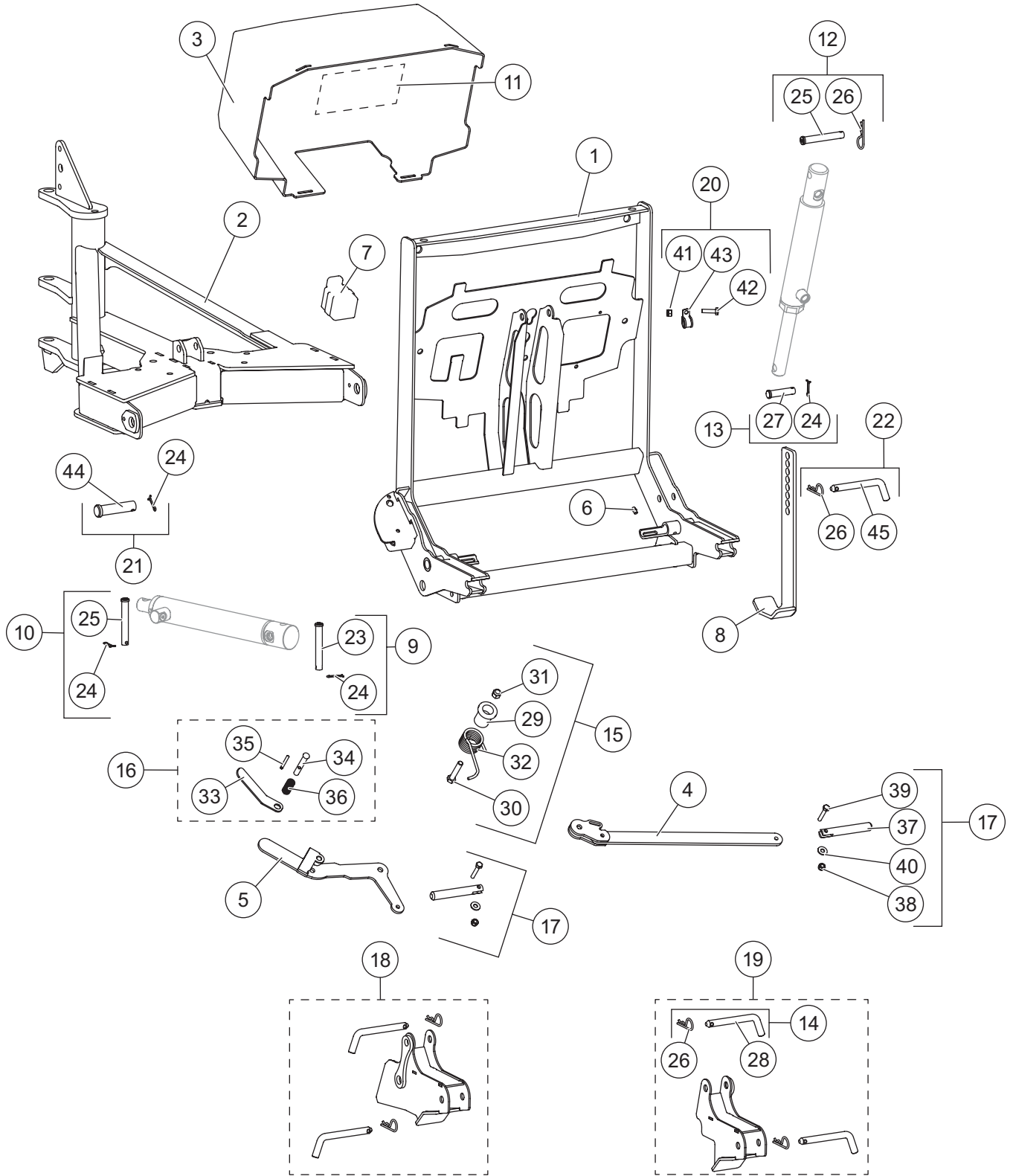
TRAILBLAZER™ Blade Components							
Item	Part	Qty	Description	Item	Part	Qty	Description
1	83615	1	Blade, PS (incl. base angle, trip spring, and labels)	9	92075	1	Blade Guides
2	83614	1	Blade, DS (incl. base angle, trip spring, and labels)	10	51702	1	3/4 x 12-5/8 Pin
3	83612	1	Base Angle, DS	11	84847	1	Label – Warning/Caution, Snowplow
4	83613	1	Base Angle, PS	12	88335	1	Label – Attach/Detach, UTV
5†	84829	1	Cutting Edge Kit w/Fasteners	13	26211	1	Label – Logo, STORM GUARD™
6	83639	1	Center Cutting Edge Kit w/Hardware	14	84844	6	3/4 x 2-3/16 Pin Kit
7	21452	2	Removable Spring Assembly	15	40905	1	Shoulder Bolt w/Locknut Kit
8	87288	1	Snow Control Kit	ns	96991	1	Label – Logo, FISHER® Splatter
				ns	84772	1	Label – Logo, TRAILBLAZER
				ns	85190	1	Blade Label Kit
Item 5† 84829 Cutting Edge Kit w/Fasteners							
6	83639	1	Center Cutting Edge w/Hardware	17		10	1/2-13 x 1-1/2 Carriage Bolt G8
16	84830	2	1/4 Cutting Edge	18		10	1/2-13 Flanged Locknut
Item 6 83639 Center Cutting Edge Kit w/Hardware							
17		4	1/2-13 x 1-1/2 Carriage Bolt G8	19	84323	1	Center Cutting Edge, UTV – PS
18		4	1/2-13 Flanged Locknut	20	84325	1	Center Cutting Edge, UTV – DS
Item 8 87288 Snow Control Kit							
		1	Snow Control	22		2	3/8-16 x 1-1/2 Hex Cap Screw
21		2	3/8-16 Hex Locknut GB				
Item 14 84844 3/4 x 2-3/16 Pin Kit							
23		1	5/32 x 1-1/4 Cotter Pin	24		1	3/4 x 2-3/16 Pin
Item 15 40905 Shoulder Bolt w/Locknut Kit							
		1	7/16-14 x 1-5/8 Hex Shoulder Bolt			1	7/16-14 Hex Locknut GB
85190 Blade Label Kit							
11	84847	1	Label – Warning/Caution, Snowplow	ns	96991	1	Label – Logo, FISHER Splatter
12	88335	1	Label – Attach/Detach, UTV	ns	84772	1	Label – Logo, TRAILBLAZER
13	26211	1	Label – Logo, STORM GUARD				
ns = not shown				G = Grade			

† Includes center cutting edge kit.

TRAILBLAZER Blade Accessories							
Item	Part	Qty	Description	Item	Part	Qty	Description
25*	83616	1	Blade Stop Kit (pair)	28*	52657	1	Accessory Wing Kit (pair)
26*	52656	1	Accessory Shoe Kit (pair)	29*	52654	1	Deflector Kit (pair)
27*	83852	1	Extreme Wear Shoe Kit (pair)				

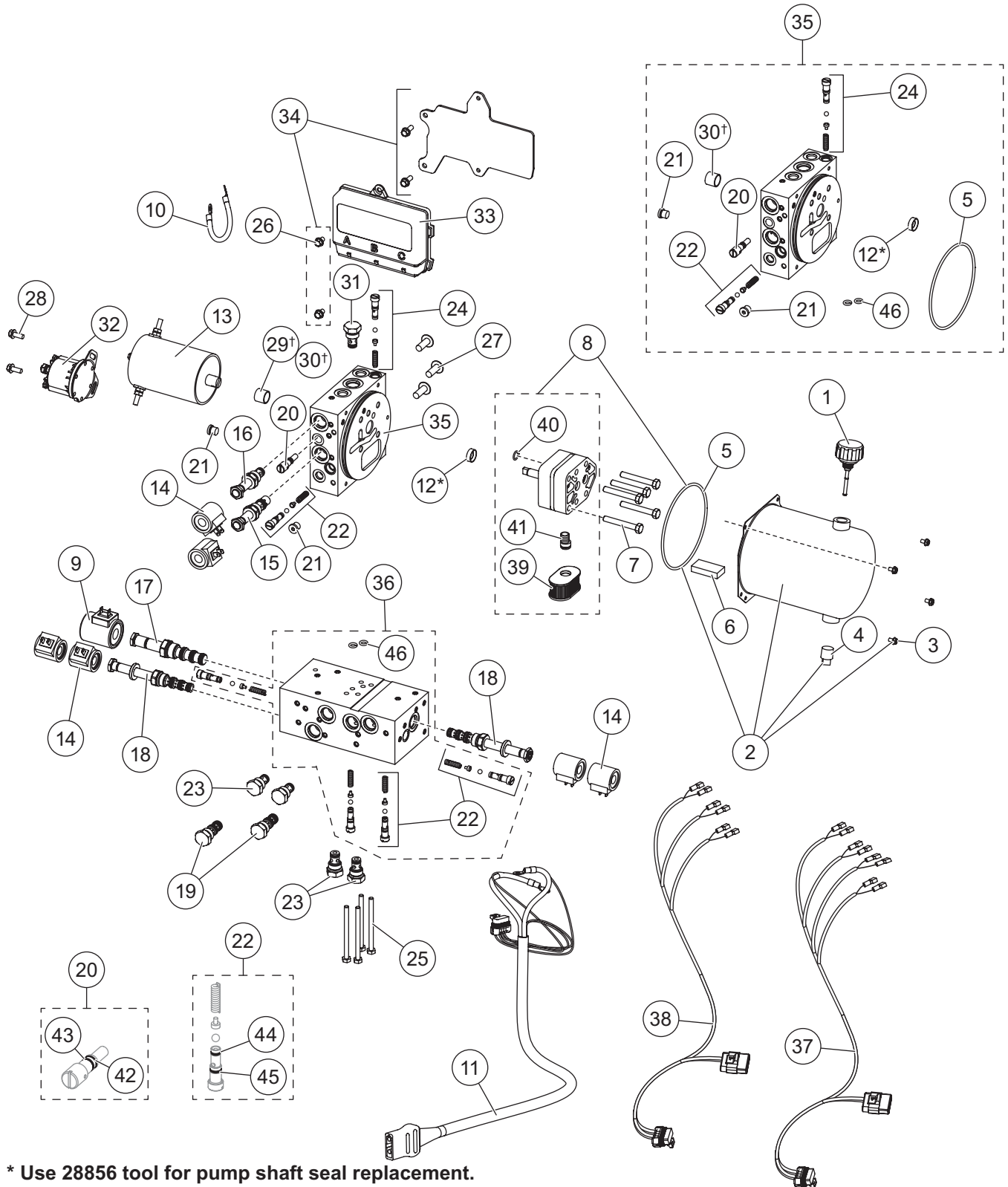
* Accessory only.

Headgear and T-Frame Components



TRAILBLAZER™ Headgear and T-Frame Components							
Item	Part	Qty	Description	Item	Part	Qty	Description
1	84361	1	Headgear	12	85199	1	Lift Ram Base Pin Kit
2	83628	1	T-Frame	13	84627	1	Lift Ram Rod Pin Kit
3	84843	1	Hydraulic Cover (incl. item 11)	14	84610	4	Receiver Pin Kit
4	83635	1	Link	15	83636	1	Torsion Spring/Spacer Kit
5	83634	1	Handle	16	83633	1	Attach Handle Release Cam Kit
6	84616	1	Grease Zerk (pkg of 3)	17	84602	2	Hitch Pin Kit
7	61246	1	Cable Boot	18	83637	1	Receiver Kit, DS
8	84846	1	Stand	19	83638	1	Receiver Kit, PS
9	83629	2	Angle Ram Base Pin Kit	20	84778	1	Power Cable Clamp Loop Kit
10	85198	2	Angle Ram Rod Pin Kit	21	83630	2	T-Frame Pin Kit
11	43862	1	Label – Information, Hydraulic	22	83825	1	Stand Pin Kit
Item 9				83629 Angle Ram Base Pin Kit			
23	1	1/2 x 3-11/16	Clevis Pin HT	24	1	5/32 x 1-1/2	Cotter Pin
Item 10				85198 Angle Ram Rod Pin Kit			
24	1	5/32 x 1-1/2	Cotter Pin	25	1	1/2 x 2-7/8	Clevis Pin HT
Item 12				85199 Lift Ram Base Pin Kit			
25	1	1/2 x 2-7/8	Clevis Pin HT	26	1	1/8	Hairpin Cotter
Item 13				84627 Lift Ram Rod Pin Kit			
24	1	5/32 x 1-1/2	Cotter Pin	27	1	1/2 x 2-1/8	Clevis Pin HT
Item 14				84610 Receiver Pin Kit			
26	1	1/8	Hairpin Cotter	28	1	1/2 x 4	Clevis Pin
Item 15				83636 Torsion Spring/Spacer Kit			
29	1	Spacer, Handle Spring		31	1	3/8-16	Hex Locknut GB
30	1	3/8-16 x 2-1/4	Hex Cap Screw G5	32	1	Torsion Spring	
Item 16				83633 Attach Handle Release Cam Kit			
33	1	Handle Lock Pin Lever		35	1	3/16 x 1-3/8	Spring Pin SS
34	1	Lock Pin		36	1	Stand Lock Pin Spring	
Item 17				84602 Hitch Pin Kit			
37	1	Hitch Pin		39	1	1/4-20 x 1-1/2	Hex Cap Screw SS
38	1	1/4-20	Hex Locknut GB	40	1	1/4	Flat Washer Type A Wide
Item 18				83637 Receiver Kit, DS			
	1	Receiver, DS		14	2	Receiver Pin Kit	
Item 19				83638 Receiver Kit, PS			
	1	Receiver, PS		14	2	Receiver Pin Kit	
Item 20				84778 Power Cable Clamp Loop Kit			
41	1	1/4-20	Hex Locknut GB	43	1	#10	Clamp Loop
42	1	1/4-20 x 1	Hex Cap Screw G5				
Item 21				83630 T-Frame Pin Kit			
24	1	5/32 x 1-1/2	Cotter Pin	44	1	3/4 x 3	Clevis Pin
Item 22				83825 Stand Pin Kit			
26	1	1/8	Hairpin Cotter	45	1	3/8 x 2-3/8	Clevis Pin
G = Grade		HT = Heat Treated		SS = Stainless Steel			

Hydraulic Unit Components



* Use 28856 tool for pump shaft seal replacement.
 † Use 64589 tool for bearing sleeve replacement.

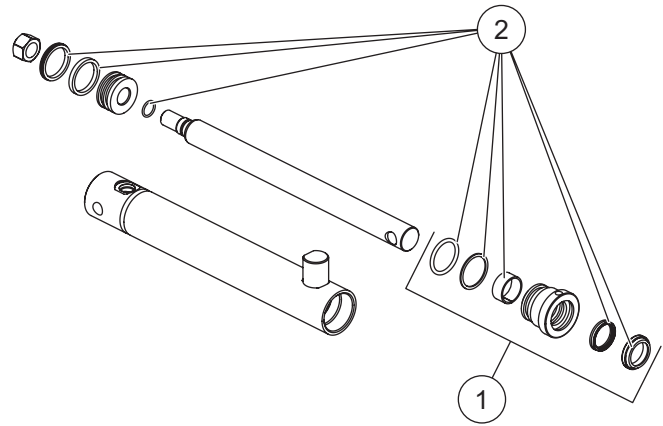
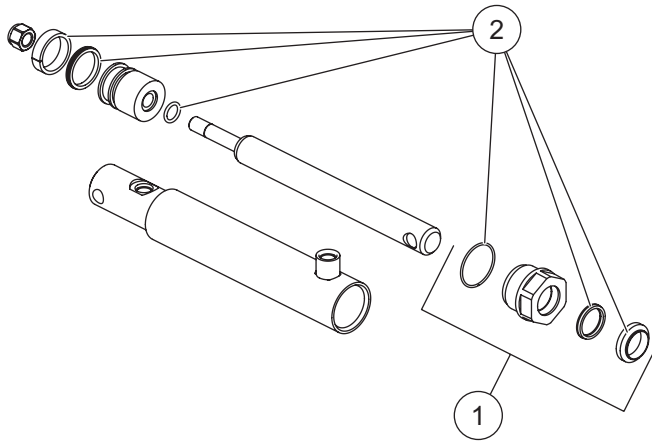
52652 TRAILBLAZER™ Hydraulic Unit							
Item	Part	Qty	Description	Item	Part	Qty	Description
1	66525	1	Reservoir Filler Breather	21	44344	2	Plug, Hex Socket –4 M ORB
2	48538	1	Reservoir Kit	22	7629K-4	2-1/2	Relief Valve Kit (2 sets)
3	66607	4	#10-24 x 5/16 Machine Screw	23	44333-1	4	Check Valve CV08-20
4	92079	1	Plug, Square 3/8 NPTF	24	27792-1	1	Relief Valve Repair Kit (1 set)
5	66519	1	O-Ring 2-250	25	90696	4	1/4-20 x 3-1/2 Hex Cap Screw G5
6	73897	1	Magnet	26	43988	2	1/4-20 x 3/8 Hex Washer-Head Thread-Rolling Screw
7	90073	5	5/16-18 x 2-1/4 Hex Cap Screw G5	27	98043	3	3/8-16 x 1 Button Cap Screw
8	52553	1	Pump Kit	28	44355	4	1/4-20 x 5/8 Hex Washer-Head Thread-Rolling Screw
9	84901	1	Coil 10 w/Spades	29†	64596-1	1	Sleeve-Bearing and Shaft Seal Kit
10	29071	1	Cable Assembly, 8"	30†	56364	1	Sleeve Bearing
11	42015	1	Cable Assembly, Plow	31	84934	1	Check Valve
12*	66515	1	Pump Shaft Seal	32	52290	1	Motor Relay
13	48543-1	1	Motor Assembly, 3"	33	52292-1	1	Plow Module
14	7639K-2	6	Coil w/Spade Terminals	34	52293-1	1	Module Plate
15	44331	1	Valve, SVCV08-20 w/Nut	35	52551	1	Primary Manifold, w/o Valves
16	84936	1	Valve, 2-Way NC w/Rev Flow	36	52552	1	Secondary Manifold, w/o Valves
17	84900	1	Valve, 4-Way SV10-43 w/Nut	37	52215	1	Plow Control Harness, 4-Coil
18	52285	2	Valve, 4-Way 3-Position Closed Center w/Nut and Spacer	38	52217	1	Plow Control Harness, 3-Coil
19	49459	2	Valve, PC08-30 w/Nut				
20	48517	1	Quill				
Item 2				48538 Reservoir Kit			
		1	Reservoir	4	92079	1	Plug, Square 3/8 NPTF
3	66607	4	#10-24 x 5/16 Machine Screw	5	66519	1	O-Ring 2-250
Item 8				52553 Pump Kit			
		1	Pump	40	56274	1	O-Ring -013
5	66519	1	O-Ring 2-250	41	10887	1	Hydraulic Pump Inlet Fitting
39	26781-4	1	Suction Filter				
Item 20				48517 Quill			
42	48239	1	O-Ring -106	43	48240	1	Back-Up Ring -106
Item 22				7629K-4 Relief Valve Kit			
44	55371	6	O-Ring -008	45	25731	6	O-Ring -010
Item 34				52293-1 Module Plate			
		1	Module Plate	28	44355	4	1/4-20 x 5/8 Hex Washer-Head Thread-Rolling Screw
26	43988	2	1/4-20 x 3/8 Hex Washer-Head Thread-Rolling Screw				
Item 35				52551 Primary Manifold w/o Valves			
5	66519	1	O-Ring 2-250	22	7629K-4	2	Relief Valve Kit (2 sets)
12*	66515	1	Pump Shaft Seal	24	27792-1	1	Relief Valve Repair Kit (1 set)
20	48517	1	Quill	30†	56364	1	Sleeve Bearing
21	44344	2	Plug, Hex Socket –4 M ORB	46	43818	2	O-Ring -109
Item 36				52552 Secondary Manifold w/o Valves			
22	7629K-3	2	Relief Valve Kit (2 sets)	46	43818	2	O-Ring -109
O-Ring Service Kits							
ns	52298-3		O-Ring Kit (does not contain O-rings for valves)	ns	49259-2		Seal Kit, 3-Way and 4-Way Valve
ns	49258-2		Seal Kit, 2-Way Valves	ns	84909		Seal Kit, Size 10, 3-Way and 4-Way Valve
ns = not shown				M = Male		G = Grade	

* Use 28856 tool for pump shaft seal replacement (includes 1 seal).

† Use 64589 tool for bearing sleeve replacement (includes 1 bearing).

Go to www.fisherplows.com for hydraulic unit service information and specifications.

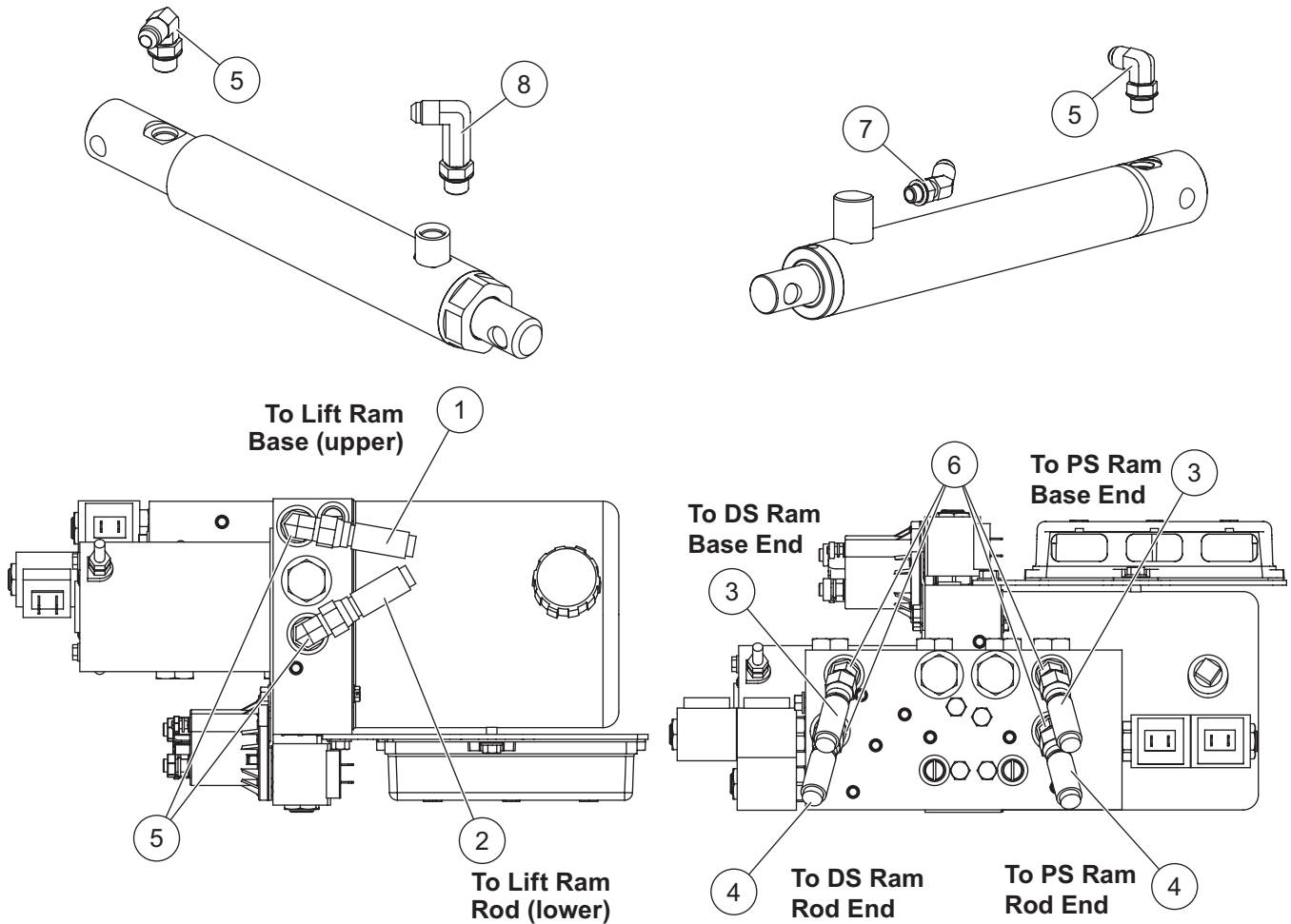
Lift and Wing Ram Components



77485 Lift Ram Assembly 1-1/2 x 6			
Item	Part	Qty	Description
1	52277	1	1" Gland Nut Assembly
2	27788-1	1	Seal Kit 1-1/2 DA Ram

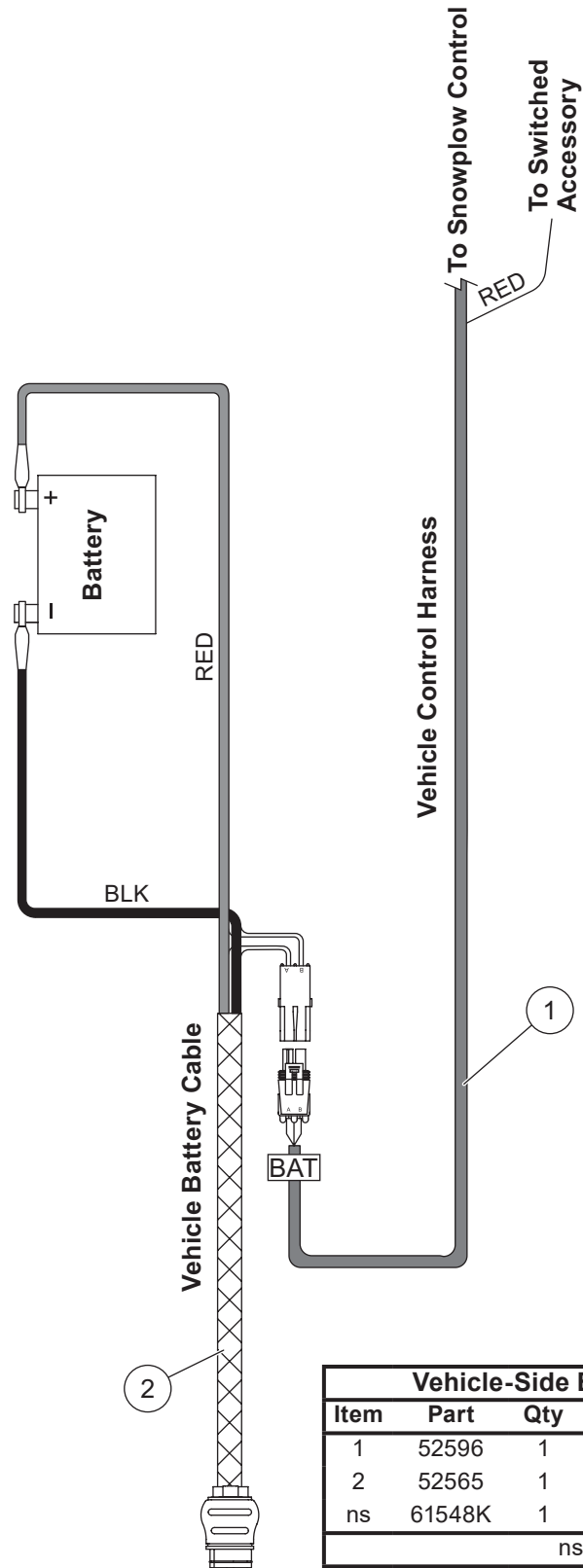
84435 Wing Ram Assembly 1-1/2 x 8-3/4 DA			
Item	Part	Qty	Description
1	52558	1	1" Gland Nut Assembly
2	52557	1	Seal Kit 1-1/2 DA Ram

Hoses and Fittings



Hoses and Fittings							
Item	Part	Qty	Description	Item	Part	Qty	Description
1	84446	1	Hose, 1/4 x 14 w/F JIC Ends	6	56726	4	Elbow, 45° -6 M JIC/-6 M ORB
2	84453	1	Hose, 1/4 x 20 w/F JIC Ends	7	41093	2	Elbow, 45° -6 M JIC/-4 M ORB
3	56710	2	Hose, 1/4 x 32 w/F JIC Ends	8	44361	1	Elbow, Extra Long 90° -6 M JIC/-6 M ORB
4	56599	2	Hose, 1/4 x 36 w/F JIC Ends				
5	56615-1	5	Elbow, 90° -6 M JIC/-6 M ORB				
F = Female				M = Male			

Vehicle-Side Harness Diagram



Vehicle-Side Electrical Components			
Item	Part	Qty	Description
1	52596	1	Vehicle Control Harness
2	52565	1	Vehicle Battery Cable
ns	61548K	1	Plug Cover Kit
ns = not shown			



Fisher Engineering
50 Gordon Drive
Rockland, ME 04841-2139
www.fisherplows.com

A DIVISION OF FISHER, LLC

Copyright © 2023 Douglas Dynamics, LLC. All rights reserved. This material may not be reproduced or copied, in whole or in part, in any printed, mechanical, electronic, film, or other distribution and storage media, without the written consent of Fisher Engineering. Authorization to photocopy items for internal or personal use by Fisher Engineering outlets or snowplow owner is granted.

Fisher Engineering reserves the right under its product improvement policy to change construction or design details and furnish equipment when so altered without reference to illustrations or specifications used. Fisher Engineering or the vehicle manufacturer may require or recommend optional equipment for snow removal. Do not exceed vehicle ratings with a snowplow. Fisher Engineering offers a limited warranty for all snowplows and accessories. See separately printed page for this important information. The following are registered (®) or unregistered (™) trademarks of Douglas Dynamics, LLC: FISHER®, STORM GUARD™, TRAILBLAZER™.

Printed in U.S.A.